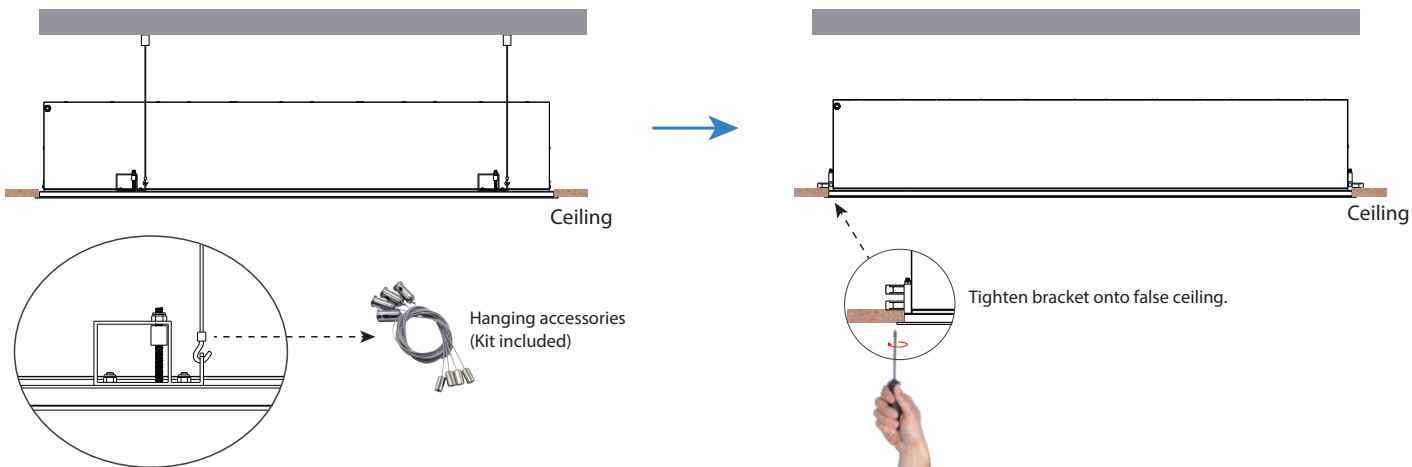


# Skyray CoreBeam 2 x 4

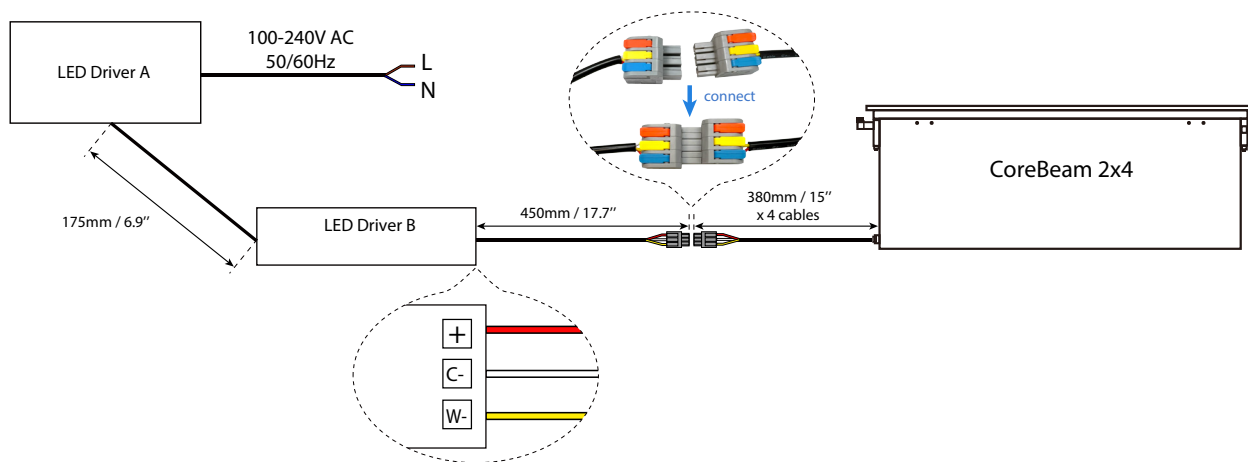
## CB-24

### INSTALLATION INSTRUCTIONS



- 1) Ceiling Cutout Size - 46.7 inches x 23.1 inches (1185 mm x 585 mm)
- 2) Hang unit using four (4) suspension cables (provided). Each ceiling mounting point should supporting at least four times the weight of the luminaire.
- 3) Connect power wires to LED Driver A.
- 4) Tighten ceiling bracket to eliminate gap between ceiling tiles and unit.

### WIRING DIAGRAM



# Skyray CoreBeam 2 x 4

## CB-24

### PRECAUTIONS

- ▶ Route lighting circuits separately from other power circuits (e.g., air-conditioning or high-power equipment).
- ▶ Prior to installation or maintenance, ensure the power supply is disconnected; confirm all cable connections are correct before re-energizing.
- ▶ Do not disassemble or modify the luminaire under any circumstances.
- ▶ The luminaire must remain uncovered by thermal insulation or similar materials; maintain a minimum clearance of 4 inches (100 mm) on all sides.
- ▶ The luminaire surface may remain hot during and after operation; avoid direct contact.
- ▶ Ensure the installation area remains dry at all times.
- ▶ Actual power consumption may vary between 90 % and 110 % of the rated value.
- ▶ Select wiring with a current-carrying capacity adequate for the intended load.
- ▶ The ceiling mounting point must be capable of supporting at least four times the weight of the luminaire.
- ▶ Should any abnormality such as smoke or odor occur, immediately disconnect the power supply and consult your installer.
- ▶ Remove the protective film from the light-emitting surface only after installation is complete to prevent dust or fingerprints.

### PACKAGING

Type	Size L x W x H (cm)	Size L x W x H (in)	Weight (kg)	Weight (lbs)	Units (pcs)
CB-24	130 x 71 x 31	51.25 x 28 x 12.25	32.5	71.7	1

