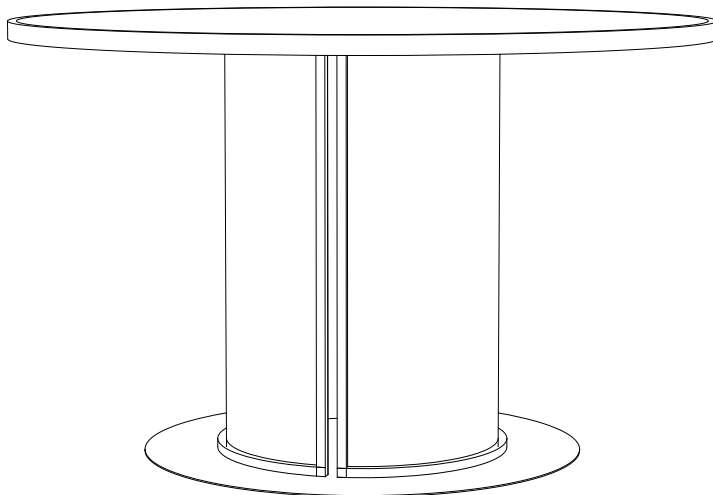


KRISTINA DAM
Studio



BAUHAUS DINING TABLE

Powder-Coated Steel
120 D x 74 H cm

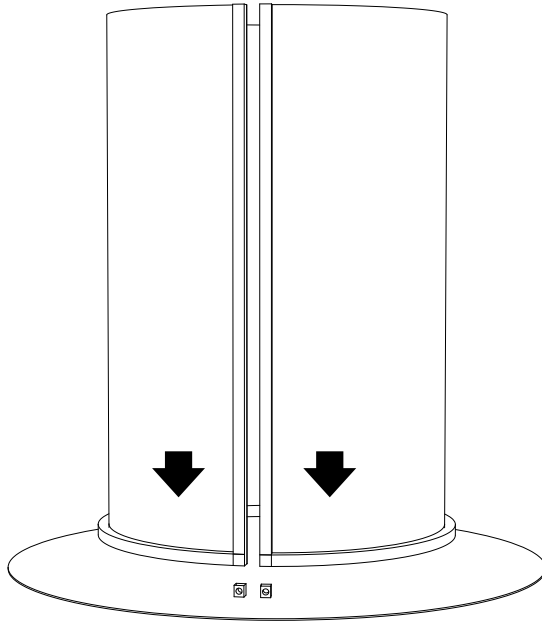
8 x Screws



1 x Hex Key Z



1.

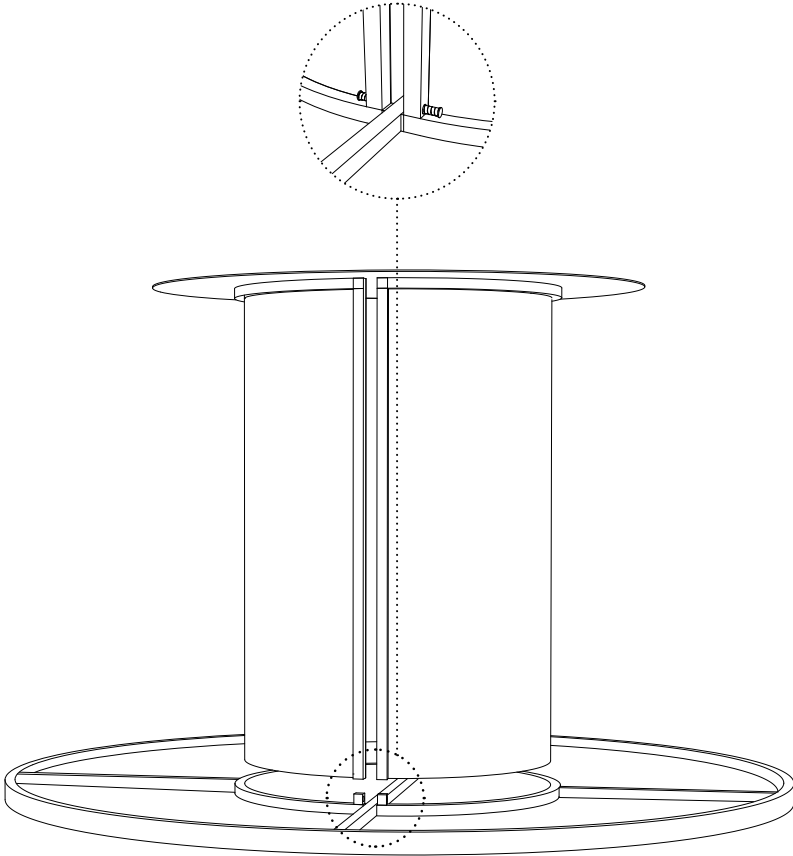


1. Place the bottom plate on a secured surface and fit both legs into the bottom plate. Place the screws in position and fasten tight. Repeat on opposite side of the legs.

1x Hex Key Z



2.

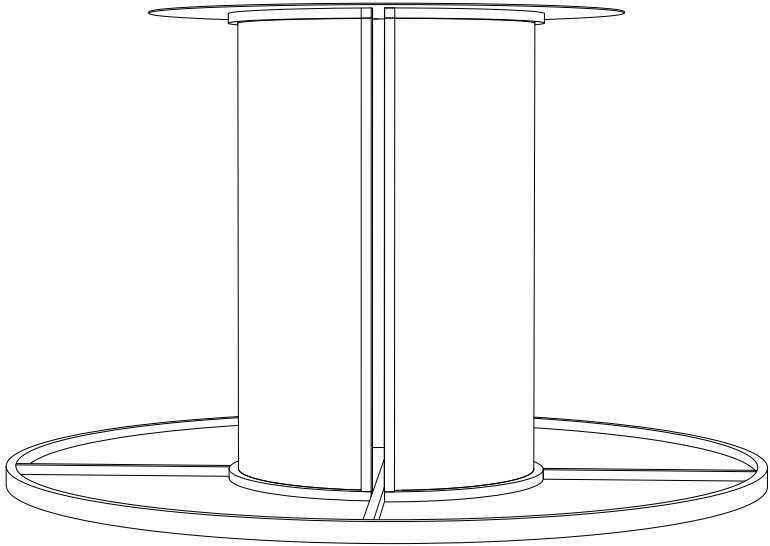


2. Place the table top on a secured surface and turn around the assembled base to fit into the table top frame. Place the screws in position and fasten tight. Repeat on opposite side of the legs.

1x Hex Key Z



3.



3. Two people are needed to turn the table around safely. Do not slide the table along the floor!

