

LUNA  
**A SERIES**

---

**SMALL SCONCE**  
INSTALLATION GUIDE

GABRIEL SCOTT  
CST 2012



**IMPORTANT: Please contact the Gabriel Scott technical support for assistance regarding malfunctions and damaged parts.**

**+1 (212) 837-2923  
support@gabriel-scott.com**

### **ATTENTION!**

Certified electrician recommended for electrical installation.

Terminal Block not included. Installation may require advice from a qualified person.

Junction box rated for minimum of 25lbs or structural blocking required to support fixture.

For all LED fixtures, use only with class 2 power unit.

The light source contained in this luminaire shall only be replaced by the manufacturer or his service agent or a similar qualified person. Contact manufacturer for service.

### **PROVIDED SUPPLIES**

Small Sconce fixture and glass

Canopy

LED driver; Input: local line voltage, output 12Vdc SELV, 5A, max 60 watt class 2 LED driver

### **REQUIRED TOOLS AND HARDWARE**

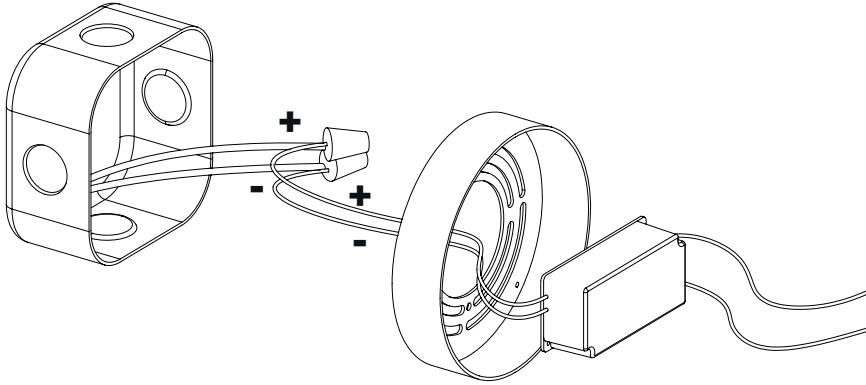
Flat head screwdriver

4x 2-pole wiring terminals, screws or screwless, 12-18AWG (1.0-2.5mm<sup>2</sup>) rated for 600V, 15A / ex: WAGO 222-412

# INSTRUCTIONS

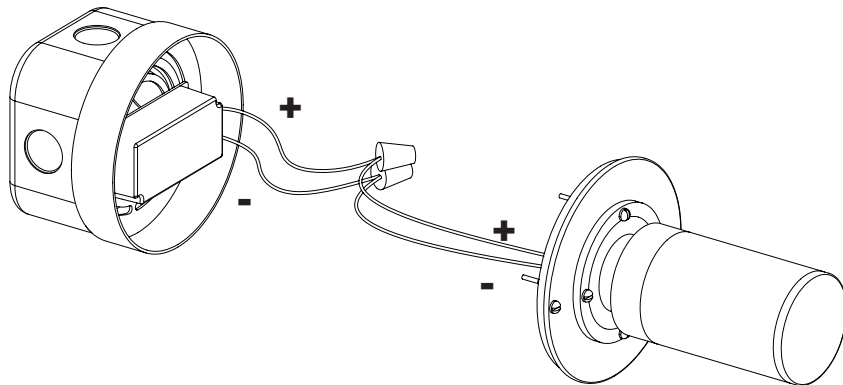
## STEP 1

Wire the LED driver to the main power source and screw driver inside the canopy.



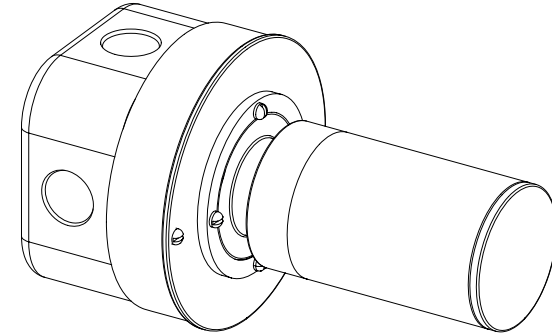
## STEP 2

Wire the black wire (+) of the fixture to the positive lead of the LED driver and the white wire (-) of the fixture to the neutral lead of the LED driver.



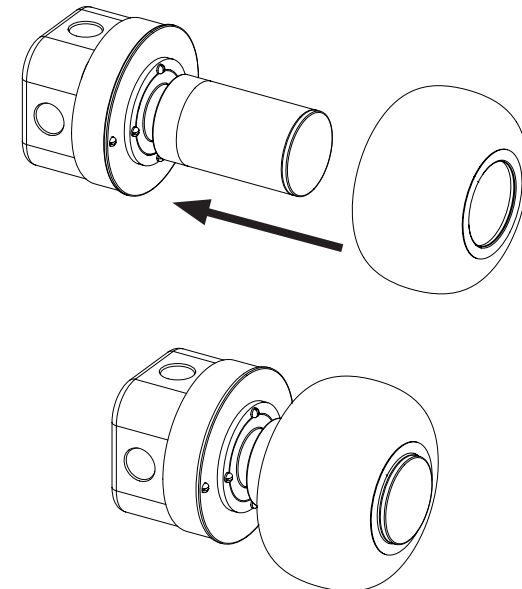
## STEP 3

Screw the fixture onto the installed canopy by using the four flat head screws located on the canopy front plate.



## STEP 4

Carefully slide the supplied glass beads over the glass tube in a way that the bead is centered on the tube.



# CARE GUIDE

## METAL

Wipe with a clean water-dampened cloth. Cleaning with any solvents or chemicals is not recommended as it may cause tarnishing.

## GLASS

Use a lint free cloth with a glass cleaner and gently wipe the glass surfaces. Any generic glass cleaner is suitable. It is best to spot test the product in an inconspicuous area before proceeding.

