

# LC-CRTL-DIM-1

Smart Wi-Fi Dimmer  
Control Devices

**\* NOT FOR DIMMING SMART LAMPS/FIXTURES OR ONCLOUD FIXTURES.**

## Features

### Body

Durable polycarbonate body and included snap-on faceplate.

### Performance

The smart Wi-Fi dimmer provides a maximum output of 400W for incandescent bulbs and 150W for fluorescent and LED bulbs.

### Operation

Features an ON/OFF press and a 7 level touch slider for dimming functionality.

### Radio Frequency

Certified IEEE 802.11 b/g Wi-Fi 2.4Ghz radio.

### Easy Installation

The smart Wi-Fi dimmer installs just like a regular dimmer. Replaces single pole switches (not compatible with 3-way switches). Neutral wire required. NO HUB REQUIRED.

**NOTE:** The OnCloud dimmer will work in 3-way applications only with a Room Controller. In this case, the

"Smart Fixture" is the Dimmer. The Room Controller is connected and controls the Dimmer.

### WiZ App

The smart Wi-Fi dimmer can be controlled via the WiZ app (works with iOS and Android) from anywhere. Voice control can also be achieved by integrating the app with most smart speakers. Works with Google Assistant, Siri, Alexa and IFTTT.

### Operating Temperature

-5°C~45°C (23°F~113°F)

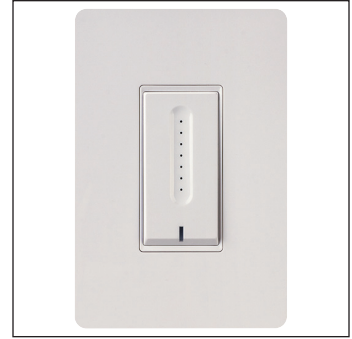
### Environment

- Dry locations only.
- Suitable for indoor use only.

### IMPORTANT NOTES

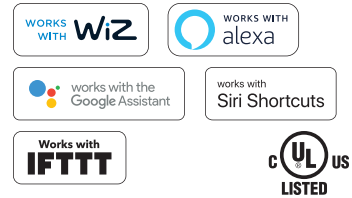
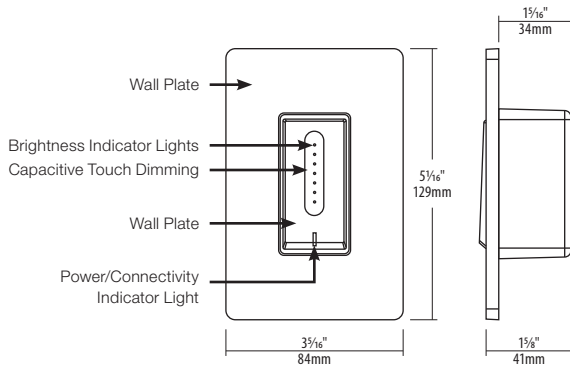
- When dimming traditional CFL / LEDs, ensure they are marked as dimmable.
- Low end dimming adjustments are software controlled in the WiZ App.
- Wi-Fi network required (2.4GHz only).

SPECIFICATION	
Approved Location	Dry / Indoor
Input Voltage	120Vac - 60 Hz
Certification	cULus
Maximum Output	Incandescent: 400W Fluorescent: 150W LED: 150W
Maximum Power	400W
Output Current	3.3A
Power Consumption	OFF: 0.76W 10%: 0.79W 25%: 0.85W 50%: 0.90W 75%: 0.94W 100%: 1.15W
Wireless Frequency	2.4GHz
Wireless Standard	IEEE 802.11 b/g
Warranty	3-Year



## Description

The OnCloud Smart Wi-Fi Dimmer works with any 120V dimmable bulb or fixture. Works in single pole applications.



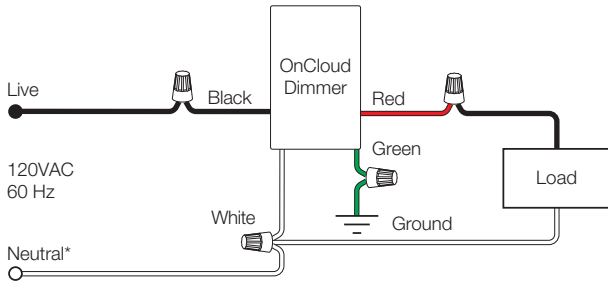
**Notes:** Accessories are sold separately. For additional options please consult your Liteline representative. Due to our continued efforts to improve our products, product specifications are subject to change without notice.

## Ordering Guide



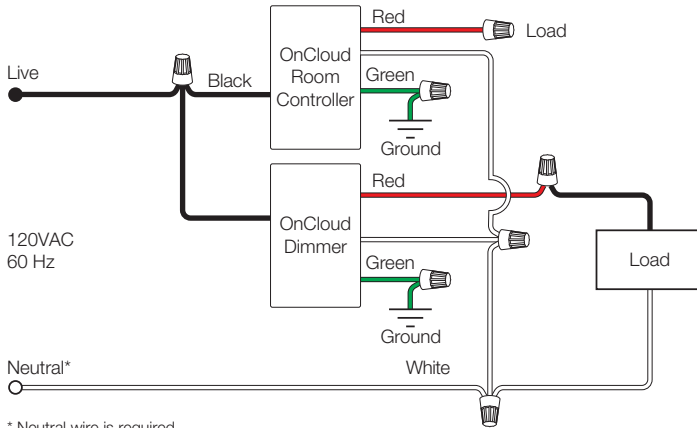
**LC-CRTL-DIM-1**  
Smart Wi-Fi dimmer, 120V.

## Wiring Diagram



\* Neutral wire is required.

## 3-Way application with Room Controller



\* Neutral wire is required.

## Compatibility Chart

Product #	OnCloud Dimmer			
	Light output %		# of fixtures per dimmer	
	Min	Max	Min	Max
SLIMLED PLUS 4"	18%	100%	1	12
SLIMLED PLUS 6"	14%	100%	1	11
SKYE 4"	18%	100%	1	12
SKYE 6"	14%	100%	1	11
7W Driver with LUNA 3"	9%	100%	1	15
12W Driver with LUNA 3.5" & 4"	10%	100%	1	11
200mA Driver with Sigma 2"	9%	100%	1	11
300mA Driver with Sigma 2"	9%	100%	1	11
350mA Driver with Helios 2"	15%	100%	1	11