

LIVING DISTRICT

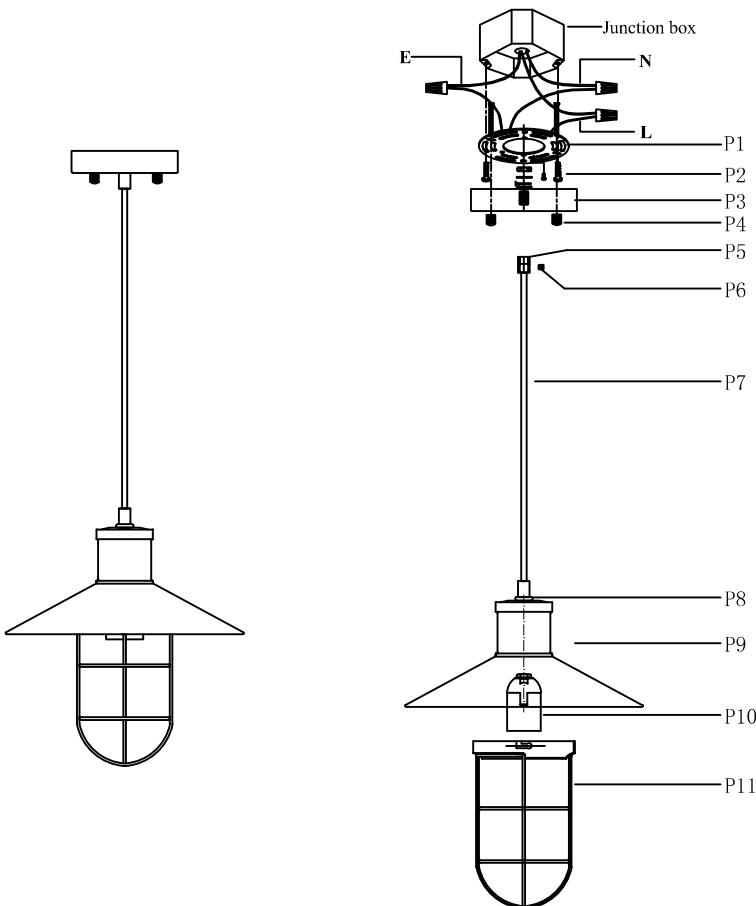
Collection: Flaneur

Installation manual for:

LD7505BK D10.6" H11.5" L1

Installation instructions:

1. Black wire from ceiling(junction box) attaches to "L"wire from the fixture.
 2. White wire from ceiling(junction box) attaches to "N"wire from the fixture.
 3. "E" wire from the fixture is attached to the mounting bracket and an additional "E" wire from the mounting bracket must be secured to the junction box.
 4. Secure mounting bracket to the junction box.
 5. Insert Mounting bracket screws (P2) in side of top unit the mounting bracket (P1).
 6. Lock the lamp body on the mounting bracket (P1) on the Ceiling with Flowering nut(P4)
 7. Install E26 light source.(Bulbs not supplied)
 8. Insert the Welded iron frame (P11) opening into the screw cap bump and insert it into the screw
- The end!



PARTS LIST

Part	Picture	Description	Qty	Check list
P1		Mounting bracket Φ4"*T0.059"	1	
P2		Mounting bracket screw	2	
P3		Canopy (Φ4.7"*H1")	1	
P4		Flowering nut Φ0.39"*H0.39"	2	
P5		301 line buckle	2	
P6		M6 Plastic screw	2	
P7		18#Three-core black wire	1	
P8		Crimping flat cover Φ0.82"*H0.15"*T0.01"	1	
P9		Spinning hood Φ10.6"*H4.7"*T0.039"	1	
P10		E26 Holder	1	
P11		Welded iron frame Φ4.5"*H7.4"	1	

"L" = Hot wire
 "N" = Neutral wire
 "E" = Ground wire