



## Levels 1 Body Ø220mm

Typology: Surface-mounted ceiling light

Designed by: Nahtrang Studio

Surface-mounted ceiling light Levels 1 Body Ø220mm LED 28W SW 2700-3000-4000K 0-10V Black 1850lm

### Technical features

Lampholder: LED

Total power consumption of light (W): 28

Delivered lumens: 2035 (3000K)

Correlated Colour Temperature (CCT):

SW 2700-3000-4000K

Lens / Reflector Angle: HORIZONTAL 101°

Structure Material: Steel

Structure Finish: Black

Diffuser Material: Glass

Diffuser Finish: Amber

Voltage / Frequency: 110-277V ~ 50/60Hz

Useful life: 50,000h L80B20

Dimming protocol: 0-10V

Warranty: 5 years

Easily recyclable luminaire

Lampholder	Quantity	Light source power (W)
LED	1	24,4W

### Logistics

Net weight (lb): 6

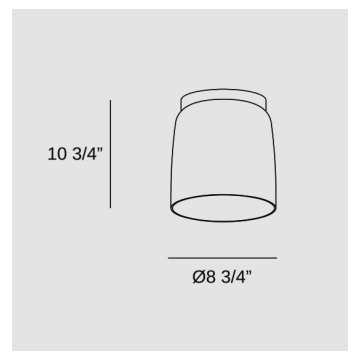
Packaged weight (lb): 8

Packaging (in): 12 3/4" x 13" x 17 7/8"

IP20 CRI92



Export date: 04/16/26





## Levels 1 Body Ø320mm

Typology: Surface-mounted ceiling light

Designed by: Nahtrang Studio

Surface-mounted ceiling light Levels 1 Body Ø320mm LED 28W SW 2700-3000-4000K 0-10V Black 1850lm

### Technical features

Lampholder: LED

Total power consumption of light (W): 28

Delivered lumens: 2035 (3000K)

Correlated Colour Temperature (CCT):

SW 2700-3000-4000K

Lens / Reflector Angle: HORIZONTAL 101°

Structure Material: Steel

Structure Finish: Black

Diffuser Material: Glass

Diffuser Finish: Green

Voltage / Frequency: 110-277V ~ 50/60Hz

Useful life: 50,000h L80B20

Dimming protocol: 0-10V

Warranty: 5 years

Easily recyclable luminaire

Lampholder	Quantity	Light source power (W)
LED	1	24,4W

### Logistics

Net weight (lb): 6

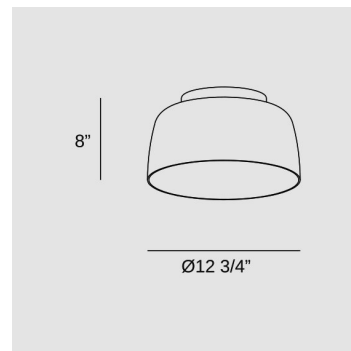
Packaged weight (lb): 8

Packaging (in): 18 1/2" x 15" x 10 5/8"

IP20 CRI92



Export date: 04/16/26





## Levels Ceiling 1 Body Ø420mm

Typology: Surface-mounted ceiling light

Designed by: Nahtrang Studio

Surface-mounted ceiling light Levels Ceiling 1 Body Ø420mm LED 28W SW 2700-3000-4000K 0-10V Black 1850lm

### Technical features

Lampholder: LED

Total power consumption of light (W): 28

Delivered lumens: 2035 (3000K)

Correlated Colour Temperature (CCT):

SW 2700-3000-4000K

Lens / Reflector Angle: HORIZONTAL 101°

Structure Material: Steel

Structure Finish: Black

Diffuser Material: Glass

Diffuser Finish: Green

Voltage / Frequency: 110-277V ~ 50/60Hz

Useful life: 50,000h L80B20

Dimming protocol: 0-10V

Warranty: 5 years

Easily recyclable luminaire

Lampholder	Quantity	Light source power (W)
LED	1	24,4W

### Logistics

Net weight (lb): 8

Packaged weight (lb): 11

Packaging (in): 20 1/2" x 20 7/8" x 11 3/8"

IP20 CRI92



Export date: 04/16/26

