



## Levels 2 Bodies Ø320mm + Ø220mm

Typology: Pendant

Designed by: Nahtrang Studio

Pendant Levels 2 Bodies Ø320mm + Ø220mm LED 19W SW 2700-3000-4000K 0-10V Black 1255lm

### Technical features

Lampholder: LED

Total power consumption of light (W): 19

Delivered lumens: 1381 (3000K)

Correlated Colour Temperature (CCT):

SW 2700-3000-4000K

Lens / Reflector Angle: HORIZONTAL 102°

Structure Material: Steel

Structure Finish: Black

Diffuser Material: Glass

Diffuser Finish: Green

Voltage / Frequency: 110-277V ~ 50/60Hz

Useful life: 50,000h L80B20

Dimming protocol: 0-10V

Warranty: 5 years

Easily recyclable luminaire

Lampholder	Quantity	Light source power (W)
LED	1	17,2W

### Logistics

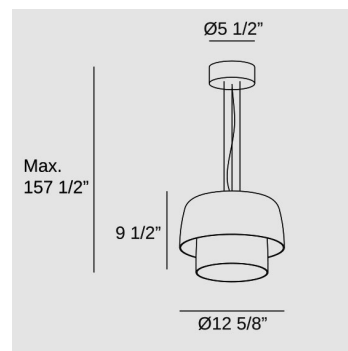
Net weight (lb): 8

Packaged weight (lb): 11

Packaging (in): 18 7/8" x 18 7/8" x 16"

IP20 CRI92    

Export date: 04/16/26





## Levels 2 Bodies Ø420mm + Ø320mm

Typology: Pendant

Designed by: Nahtrang Studio

Pendant Levels 2 Bodies Ø420mm + Ø320mm LED 19W SW 2700-3000-4000K 0-10V Black 1255lm

### Technical features

Lampholder: LED

Total power consumption of light (W): 19

Delivered lumens: 1381 (3000K)

Correlated Colour Temperature (CCT):

SW 2700-3000-4000K

Lens / Reflector Angle: HORIZONTAL 102°

Structure Material: Steel

Structure Finish: Black

Diffuser Material: Glass

Diffuser Finish: Green

Voltage / Frequency: 110-277V ~ 50/60Hz

Useful life: 50,000h L80B20

Dimming protocol: 0-10V

Warranty: 5 years

Easily recyclable luminaire

Lampholder	Quantity	Light source power (W)
LED	1	17,2W

### Logistics

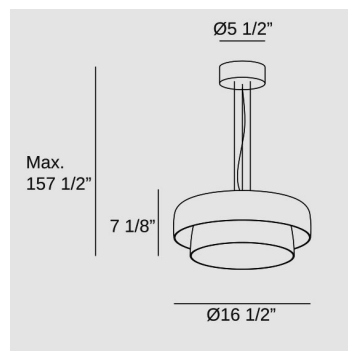
Net weight (lb): 10

Packaged weight (lb): 14

Packaging (in): 20 1/2" x 20 7/8" x 21 1/4"

IP20 CRI92    

Export date: 04/16/26



Images do not show North American backplate