

ENIGMA 425

The fixture emits glare-free, soft, comfortable downward light. The shade design ensures even illumination of the surface. The matte upper surface diffuses the light, while the shiny lower surface ensures optimal reflection.



Shoichi Uchiyama

Shoichi Uchiyama was born and bred in Tokyo. Since the foundation of Shoichi Uchiyama Design Office in 1977, he has been committed to creation of lighting fixtures with glare-free indirect light that make objects beautiful, and allow people to feel the texture and depth of objects.



RealDania



VP

Product info

Information

Electrical: System Wattage: 8W LED Wattage: 7 W Delivered lumens: 341 - 487 Efficacy: 42.6 lm/W - 60.9 lm/W
 Certifications: cULus, Dry Location Protection class IP20 Controllability: Phase dimming Actual performance dependent upon screw-base lamp used.

Mounting

Canopy: White. Cord type: 3-conductor, 18 AWG white PVC power cord. Cord length: 12'.

Finish

Brushed aluminum, clear coated or black wet painted. Shades: White or black acrylic.

Materials

Cone and pendant tube: Lacquered or wet painted brushed aluminum. Wire: Stainless steel. Shades: Acrylic.

Sizes and weight

Width x Height x Length (in.) | 16.6 x 29.3 x 16.6 Max 2.5 lbs

Compliance

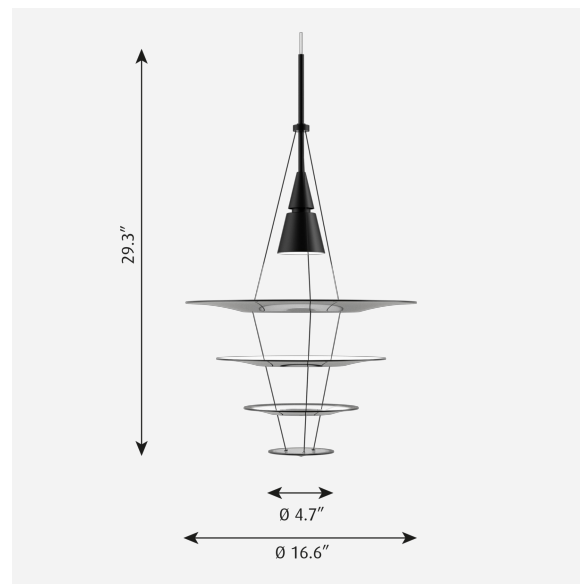
cULus, Dry location.

Light source

1/50W/PAR16 GU10

Information

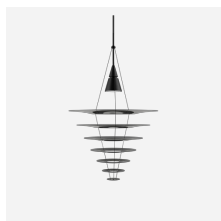
Electrical:
 System Wattage: 8W
 LED Wattage: 7 W
 Delivered lumens: 341 - 487
 Efficacy: 42.6 lm/W - 60.9 lm/W
 Certifications:
 cULus, Dry Location
 Protection class IP20
 Controllability: Phase dimming
 Actual performance dependent upon screw-base lamp used.



Related products



Enigma 545



Enigma 825

Product variants

Color	Cable type	Light source	Voltage frequency
● Black	Blk	1/50W/PAR16 GU10	120V
● Br alu	Wht		

Product description

Enigma pendants incorporate a top mounted light source projecting light downward through a series of thin acrylic slightly contoured rings that appear to be floating, providing a transparent and light expression. The shades are carefully designed and positioned to prevent direct view of the light source while providing ample light distribution.

Mounting

Mounts onto a 4 inch octagonal outlet box. Canopy: Black or white to match pendant finish, flat cone profile, 5.3 IN diameter x 1 IN tall. Cord type: 3-conductor, 18 AWG white or black PVC power cord. Cord length: 12 feet. Provided with a 8 Watt, 3000K, dimmable LED GU10 lamp.

Light description

The fixture emits glare-free, soft, comfortable downward light. The shade design ensures even illumination of the surfaces. The matte upper surfaces of the rings diffuse the light, while the glossy lower surfaces provide optimal reflection.

Design

Shoichi Uchiyama

Material

Shades: Cast acrylic 0.2 IN thick, in opal white or black. Canopy: xx" diameter x xx", spun aluminum. Socket housing: spun and machined aluminum. Socket: Porcelain, GU10 bi-pin for PAR reflector style lamps. Shade wires are stainless steel, uncoated for aluminum color pendant, with black PVD coating for black color pendant. Standard finish on socket housing is matte, wet paint in aluminum color or black. Aluminum colored or black, wet painted brushed aluminum. Shades: White or black acrylic.

Weight

Min: 2.489 lbs Max: 2.489 lbs

Other functions

Longer cord lengths.

Finish

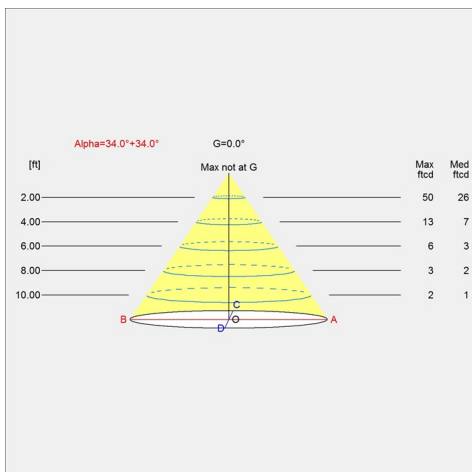
Black, Br alu

Voltage

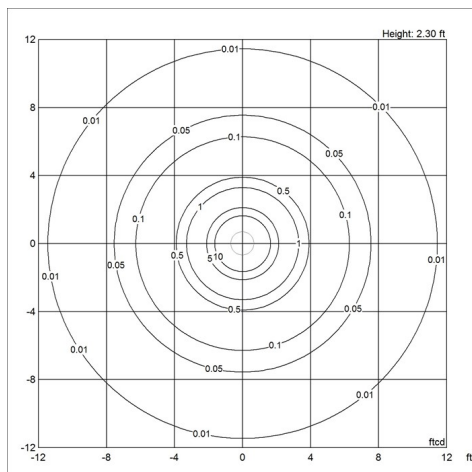
120V

Light distribution diagrams

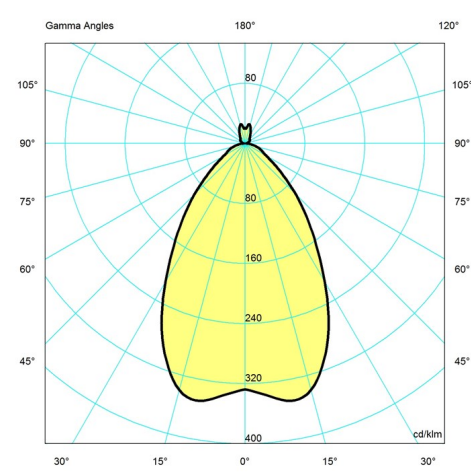
Cartesian



Isolux



Polar



Spare parts & accessories

Product	Variant number
ENIGMA PENDANT, SHADE 120 W/BUSH. WHITE	5741086786
ENIGMA PENDANT, SHADE 210 WHITE	5741086799
ENIGMA PENDANT, SHADE 310 WHITE	5741086809
ENIGMA PENDANT, SHADE 422 WHITE	5741086812
ENIGMA PENDANT, SHADE 545 WHITE	5741087099
ENIGMA PENDANT SHADE 120 W/BUSH. BLK	5741088878
ENIGMA PENDANT SHADE 210 BLK	5741088881
ENIGMA PENDANT SHADE 310 BLK	5741088894
ENIGMA PENDANT SHADE 422 BLK	5741088904
ENIGMA PENDANT SHADE 545 BLK	5741088917

ENIGMA 545

The fixture emits glare-free, soft, comfortable downward light. The shade design ensures even illumination of the surface. The matte upper surface diffuses the light, while the glossy lower surface ensures optimal reflection.



Shoichi Uchiyama

Shoichi Uchiyama was born and bred in Tokyo. Since the foundation of Shoichi Uchiyama Design Office in 1977, he has been committed to creation of lighting fixtures with glare-free indirect light that make objects beautiful, and allow people to feel the texture and depth of objects.



Sinatur Hotel



RealDania

Product info

Information

Electrical: System Wattage: 8W LED Wattage: 7 W Delivered lumens: 341 - 487 Efficacy: 42.6 lm/W - 60.9 lm/W
 Certifications: cULus, Dry Location Protection class IP20 Controllability: Phase dimming Actual performance dependent upon screw-base lamp used.

Mounting

Canopy: White. Cord type: 3-conductor, 18 AWG white PVC power cord. Cord length: 12'.

Finish

Brushed aluminum, clear coated or black wet painted. Shades: White or black acrylic.

Materials

Cone and pendant tube: Lacquered or wet painted brushed aluminum. Wire: Stainless steel. Shades: Acrylic.

Sizes and weight

Width x Height x Length (in.) | 21.4 x 38.2 x 21.4 Max 4.7 lbs

Compliance

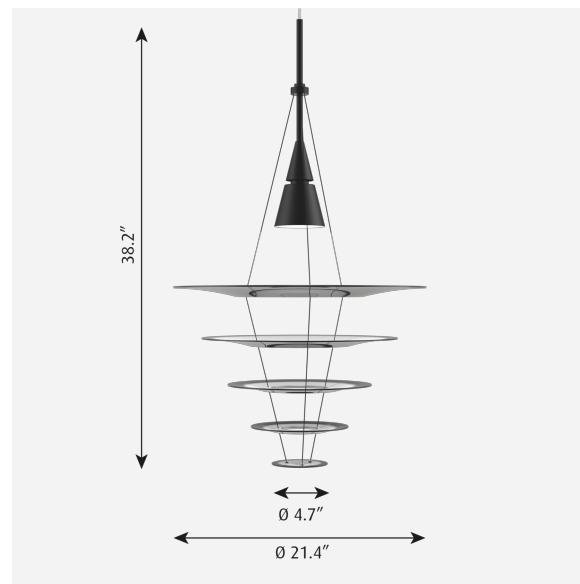
cULus, Dry location.

Light source

1/50W/PAR16 GU10

Information

Electrical:
 System Wattage: 8W
 LED Wattage: 7 W
 Delivered lumens: 341 - 487
 Efficacy: 42.6 lm/W - 60.9 lm/W
 Certifications:
 cULus, Dry Location
 Protection class IP20
 Controllability: Phase dimming
 Actual performance dependent upon screw-base lamp used.



Related products



Enigma 825



Enigma 425

Product variants

Color	Cable type	Light source	Voltage frequency
● Black	Blk	1/50W/PAR16 GU10	120V
● Br alu	Wht		

Product description

Enigma pendants incorporate a top mounted light source projecting light downward through a series of thin acrylic slightly contoured rings that appear to be floating, providing a transparent and light expression. The shades are carefully designed and positioned to prevent direct view of the light source while providing ample light distribution.

Mounting

Mounts onto a 4 inch octagonal outlet box. Canopy: Black or white to match pendant finish, flat cone profile, 5.3 IN diameter x 1 IN tall. Cord type: 3-conductor, 18 AWG white or black PVC power cord. Cord length: 12 feet. Provided with a 8 Watt, 3000K, dimmable LED GU10 lamp.

Light description

The fixture emits glare-free, soft, comfortable downward light. The shade design ensures even illumination of the surfaces. The matte upper surfaces of the rings diffuse the light, while the glossy lower surfaces provide optimal reflection.

Design

Shoichi Uchiyama

Material

Shades: Cast acrylic 0.2 IN thick, in opal white or black. Canopy: xx" diameter x xx", spun aluminum. Socket housing: spun and machined aluminum. Socket: Porcelain, GU10 bi-pin for PAR reflector style lamps. Shade wires are stainless steel, uncoated for aluminum color pendant, with black PVD coating for black color pendant. Standard finish on socket housing is matte, wet painted in aluminum color or black. Aluminum colored or black, wet painted brushed aluminum. Shades: White or black acrylic.

Weight

Min: 4.685 lbs Max: 4.685 lbs

Other functions

Longer cord lengths.

Finish

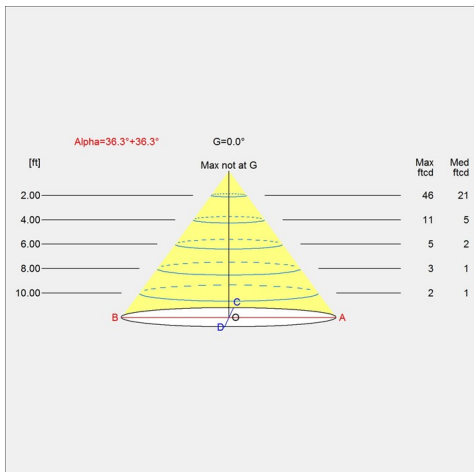
Black, Br alu

Voltage

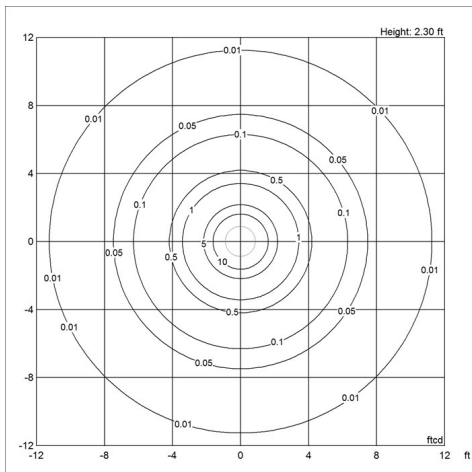
120V

Light distribution diagrams

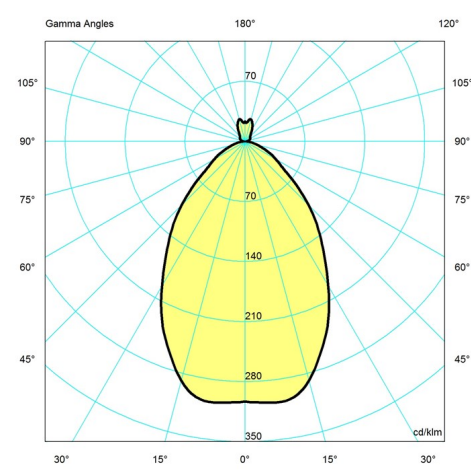
Cartesian



Isolux



Polar



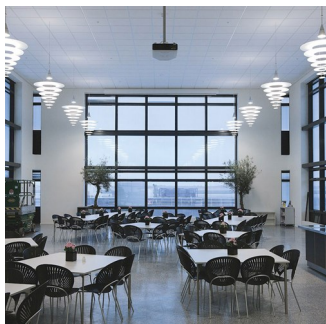
ENIGMA 825

The fixture emits glare-free, soft, comfortable, downward light. The shade design ensures even illumination of the surface. The matte upper surface diffuses the light, while the glossy lower surface ensures optimal reflection.



Shoichi Uchiyama

Shoichi Uchiyama was born and bred in Tokyo. Since the foundation of Shoichi Uchiyama Design Office in 1977, he has been committed to creation of lighting fixtures with glare-free indirect light that make objects beautiful, and allow people to feel the texture and depth of objects.



Blue Water



Yokohama College of Dental Care and Health Sciences

Product info

Information

Electrical: System Wattage: 62W LED Wattage: 57 W Delivered lumens: 3,401 - 5,883 Efficacy: 54.9 lm/W - 94.9 lm/W Certifications: cULus, Damp Location Protection class IP20 Controllability: 0-10V Dimming Color Rendering: Ra≥90

Mounting

Suspension type: 1x stainless steel aircraft cable. Canopy: White or black. Cord type: 2-conductor, 18 AWG white or black PVC power cord. Cord length: 12'.

Finish

Aluminum colored or black, wet painted brushed aluminum. Shades: White or black acrylic.

Materials

Cone and pendant tube: Wet painted brushed aluminum. Wire: Stainless steel. Shades: Acrylic.

Sizes and weight

Width x Height x Length (in.) | 32.5 x 61 x 32.5 Max 23.5 lbs

Compliance

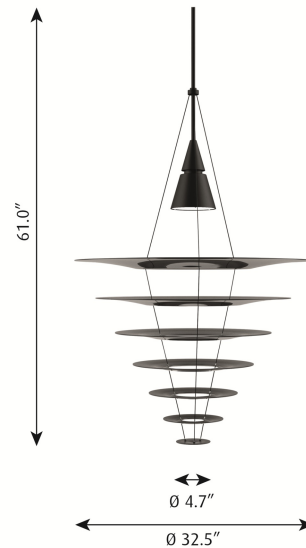
cULus, Damp location.

Light source

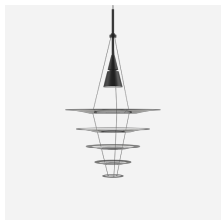
LED 3000K
Lumen: 3401

Information

Electrical:
System Wattage: 62W
LED Wattage: 57 W
Delivered lumens: 3,401 - 5,883
Efficacy: 54.9 lm/W - 94.9 lm/W
Certifications:
cULus, Damp Location
Protection class IP20
Controllability: 0-10V Dimming
Color Rendering: Ra≥90



Related products



Enigma 545



Enigma 425

Product variants

Color	Cable type	Light source	Voltage frequency
● Black	Blk	LED 3000K	120-277V/60HZ
● Br alu	Transparent cable		

Product description

Enigma pendants incorporate a top mounted light source projecting light downward through a series of thin acrylic slightly contoured rings that appear to be floating, providing a transparent and light expression. The shades are carefully designed and positioned to prevent direct view of the light source while providing ample light distribution.

Mounting

Mounts onto a 4 inch octagonal outlet box. Canopy: Black or white to match pendant finish, cone profile, 9.5 IN diameter x 6.7 IN tall. Includes a single stainless steel aircraft wire to support the weight. Cord type: 2-conductor, 18 AWG white or black PVC power cord. Cord length: 12 feet. Electronic, constant current, class II driver for 120-277V operation and 0-10V dimming control housed inside the canopy.

Light description

The fixture emits glare-free, soft, comfortable downward light. The shade design ensures even illumination of the surfaces. The matte upper surfaces of the rings diffuse the light, while the glossy lower surfaces provide optimal reflection. Standard CCT in 3000K, controlled by electronic driver.

Design

Shoichi Uchiyama

Material

Shades: Cast acrylic 0.2 IN thick, in opal white or black. Canopy is spun aluminum, .03 IN thick. Suspension is one stainless steel aircraft cable, 0.06" thick. Light source housing: spun and machined aluminum. Shade wires are stainless steel, uncoated for aluminum color pendant, with black PVD coating for black color pendant. Standard finish on light source housing is matte, wet painted in aluminum color or black. Aluminum colored or black, wet painted brushed aluminum. Shades: White or black acrylic.

Weight

Min: 19.923 lbs Max: 23.495 lbs

Other functions

Longer cord lengths. LED in 2700K or 3500K. Alternative dimming controls.

Finish

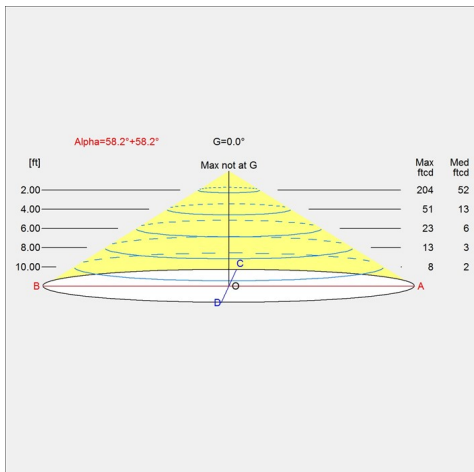
Black, Br alu

Voltage

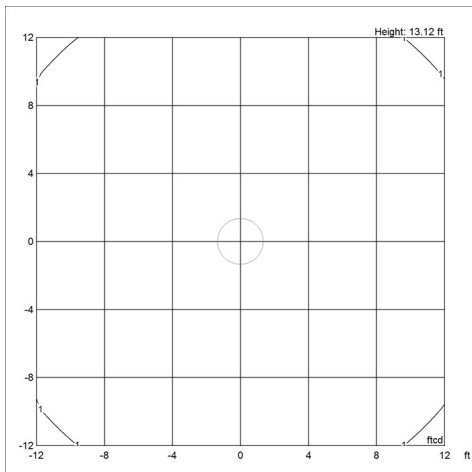
120-277V/60HZ

Light distribution diagrams

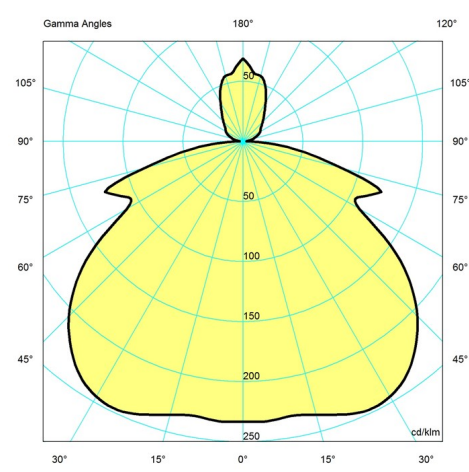
Cartesian



Isolux



Polar



Spare parts & accessories

Product	Variant number
ENIGMA PENDANT, SHADE 120 W/BUSH. WHITE	5741086786
ENIGMA PENDANT, SHADE 210 WHITE	5741086799
ENIGMA PENDANT, SHADE 310 WHITE	5741086809
ENIGMA PENDANT, SHADE 422 WHITE	5741086812
ENIGMA PENDANT, SHADE 545 WHITE	5741087099
ENIGMA PENDANT SHADE 120 W/BUSH. BLK	5741088878
ENIGMA PENDANT SHADE 210 BLK	5741088881
ENIGMA PENDANT SHADE 310 BLK	5741088894
ENIGMA PENDANT SHADE 422 BLK	5741088904
ENIGMA PENDANT SHADE 545 BLK	5741088917
ENIGMA PENDANT SHADE 680 BLK	5741088920
ENIGMA PENDANT SHADE 825 BLK	5741088933
ENIGMA PENDANT, SHADE 680 WHITE	5741088946
ENIGMA PENDANT, SHADE 825 WHITE	5741088959
ENIGMA 825 SUSP 3,7M CABLE W/LED BLK US	5741918870