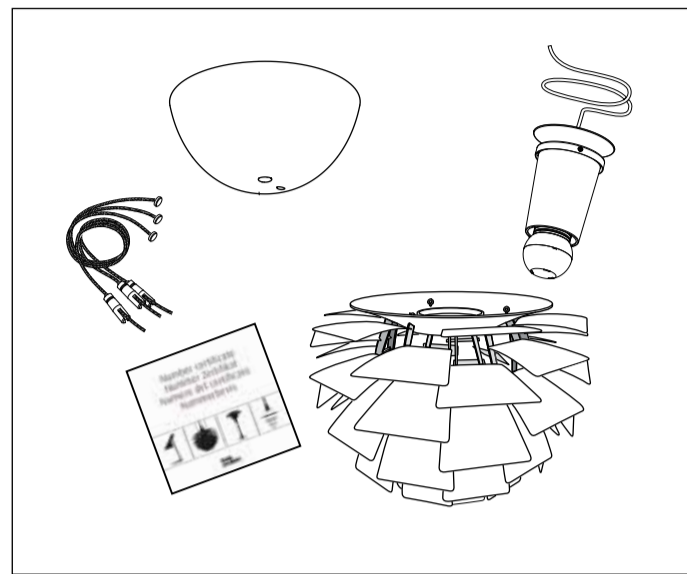
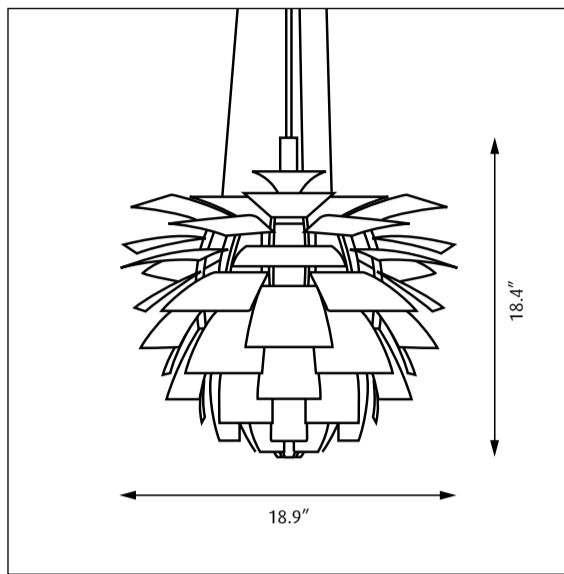


PH Artichoke LED Ø18.9"

Design Poul Henningsen



18213-11

Light source	Voltage	Weight	Electric shock protection	Ingress protection
LED	120 V	Max 20 Lbs	Cl. I	IP 20

The luminaire may only be lifted/carried by the wire and never by the cable!

Recommended cleaning substances:

Wipe off dust with a dry, soft cloth. Remove greasy spots etc. with a soft cloth dampened in lukewarm water (<122° F/ 50° C) with a mild detergent.

Warning: Scouring powder and similar substances will scratch surfaces.

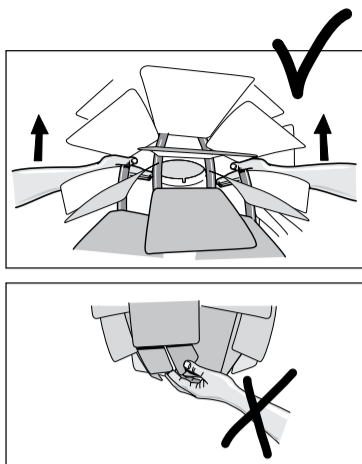
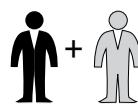
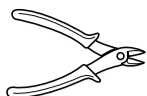
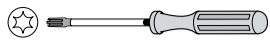
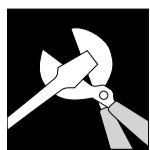
All installation is subject to local code and jurisdiction.

Consult a qualified electrician to ensure correct branch circuit conductor.

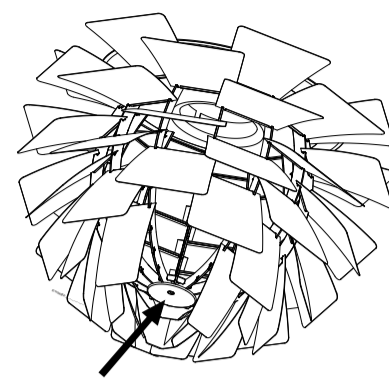
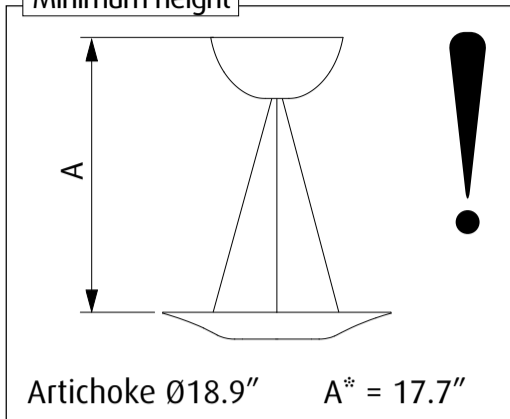
The installer must ensure that the ceiling can support the luminaire's weight. The installer must if necessary reinforce the ceiling structure by adequate means.



Due to possibility of personal injury or property damage, always contact a qualified electrician for servicing or repair of this fixture. To avoid risk of electrical shock, personal injury, or death, disconnect power to fixture before servicing.

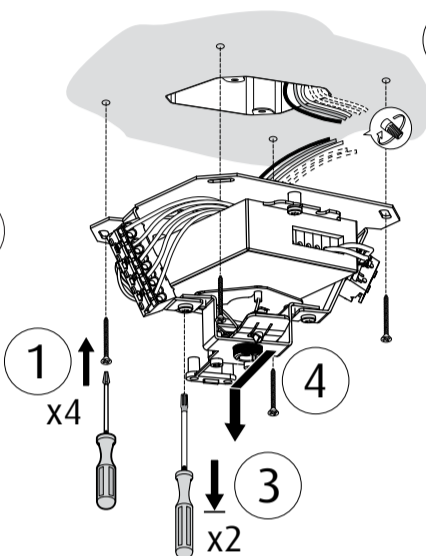
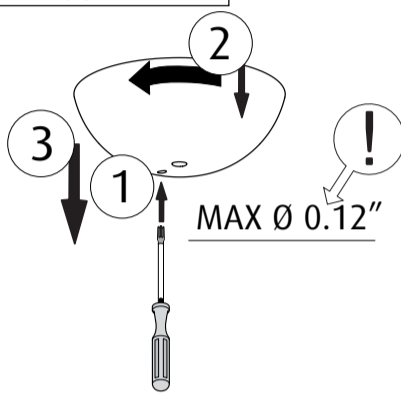


Minimum height



ID NUMBER: _____
Please register ID number at www.louispuulsen.com

Canopy removal

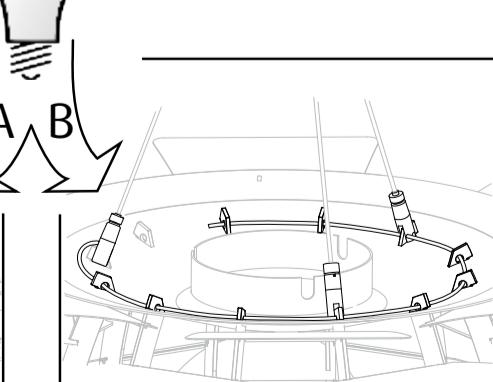
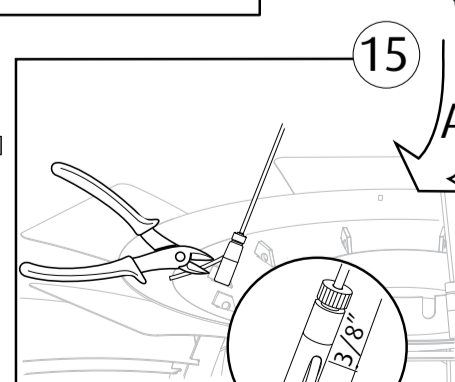
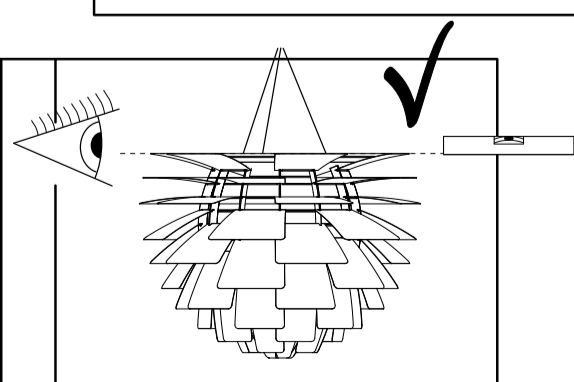
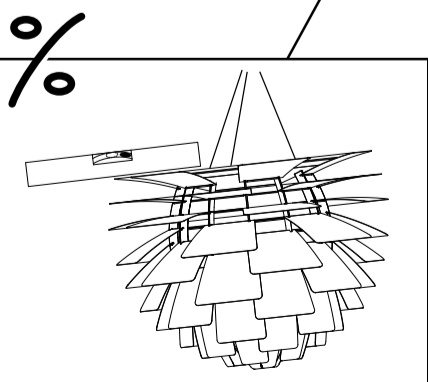
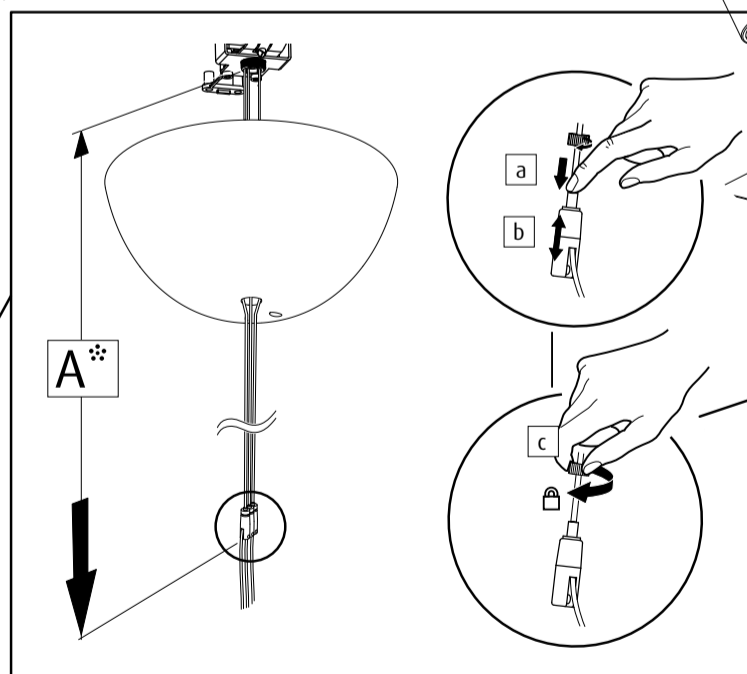
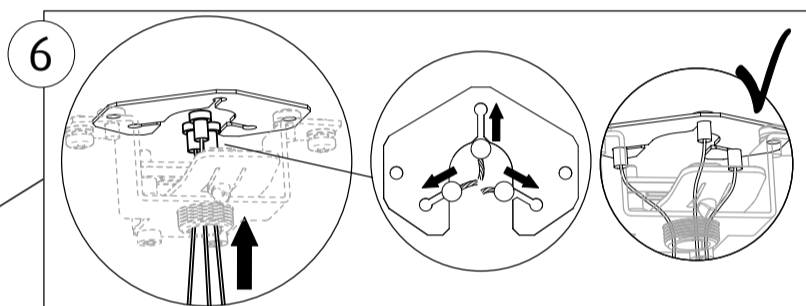
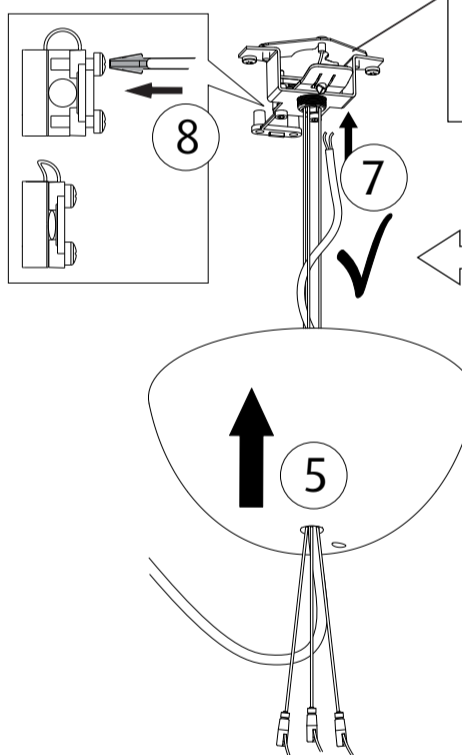
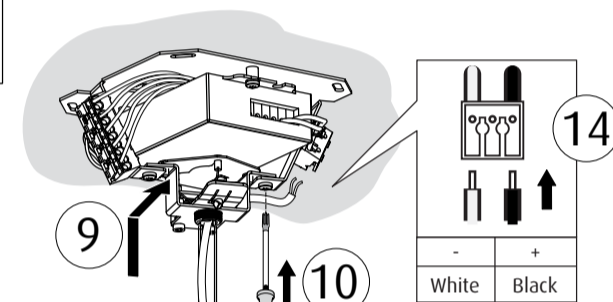
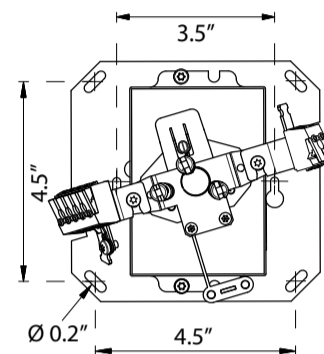


2

- Green (Ground)
- White (Neutral)
- Black (Line)

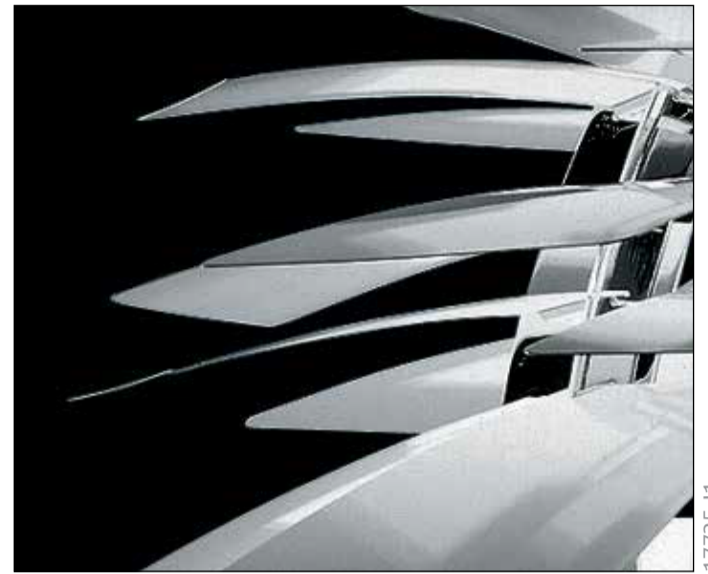
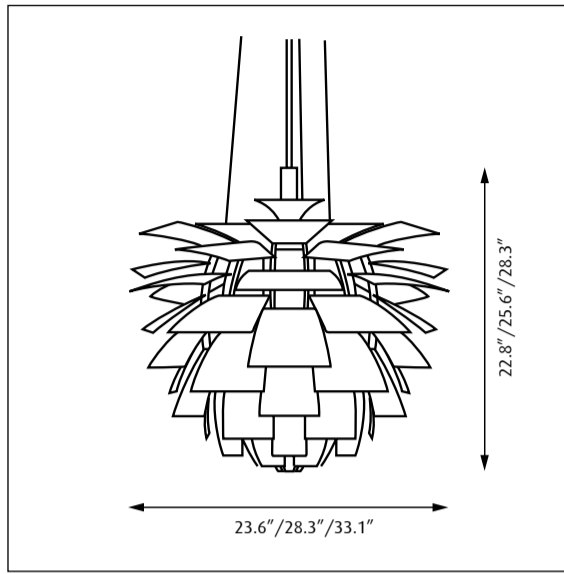
For dimming wires use class 1 wiring methods:
Grey (0-10V Dim -)
Violet (0-10V Dim +)

0-10 Mains Dim



PH Artichoke LED

Design Poul Henningsen



17725-11

Light source		Voltage	Weight - Metal frame	Weight - Glass frame	Electric shock protection	Ingress protection
23.6": LED		Max 120-277V	Max 41 Lbs	Max 44 Lbs	Cl. I	IP20
28.3": LED		Max 120-277V	Max 44 Lbs	Max 55 Lbs	Cl. I	IP20
33.1": LED		Max 120-277V	Max 61 Lbs	Max 73 Lbs	Cl. I	IP20

The luminaire may only be lifted/carried by the wire and never by the cable!

Recommended cleaning substances:

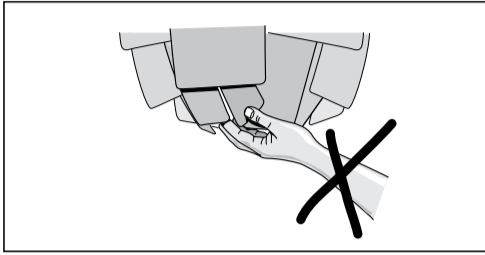
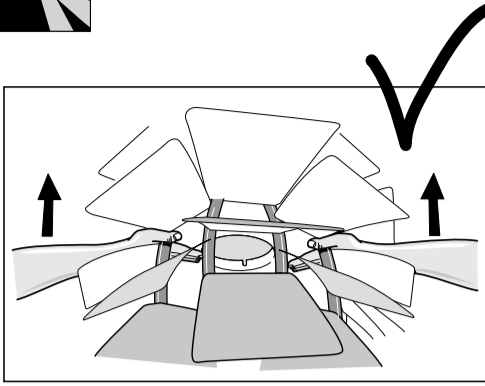
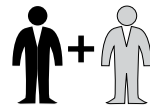
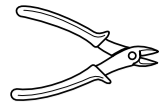
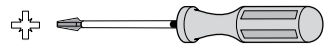
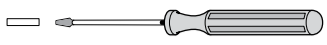
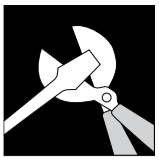
Wipe off dust with a dry, soft cloth. Remove greasy spots etc. with a soft cloth dampened in lukewarm water (<122° F/ 50° C) with a mild detergent.

Warning: Scouring powder and similar substances will scratch surfaces.

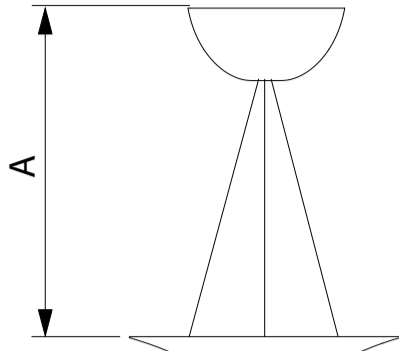
All installation is subject to local code and jurisdiction. Consult a qualified electrician to ensure correct branch circuit conductor. The installer must ensure that the ceiling can support the luminaire's weight. The installer must if necessary reinforce the ceiling structure by adequate means.



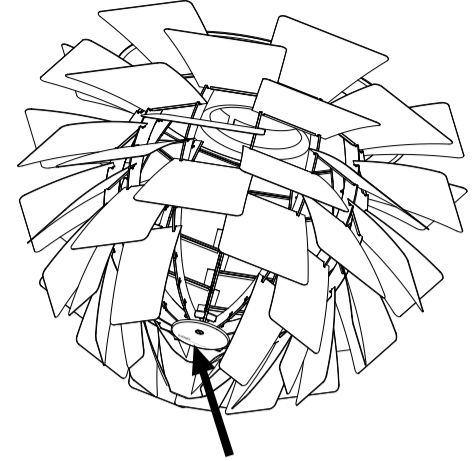
Due to possibility of personal injury or property damage, always contact a qualified electrician for servicing or repair of this fixture. To avoid risk of electrical shock, personal injury, or death, disconnect power to fixture before servicing.



Minimum height



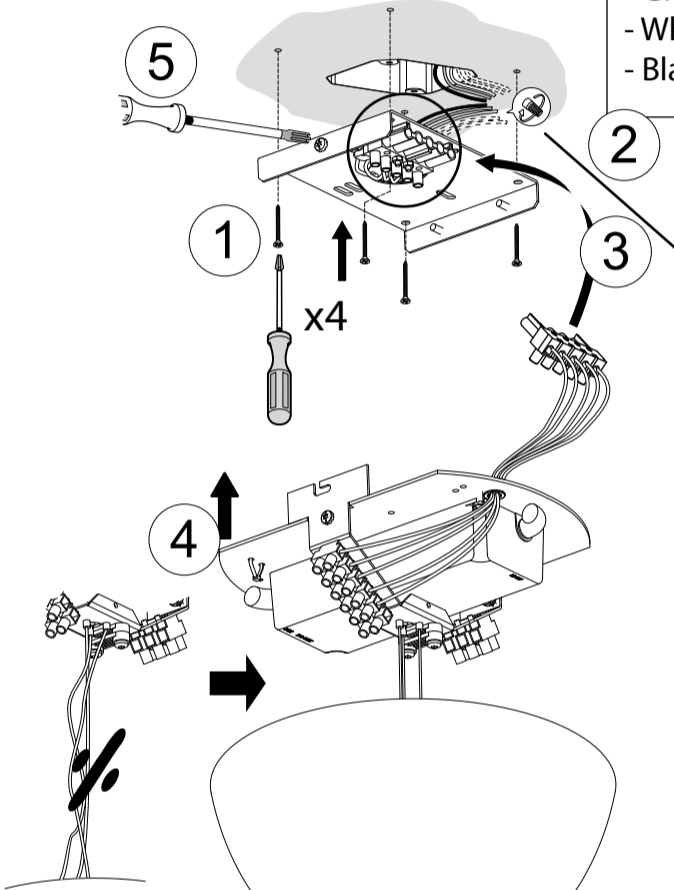
- Artichoke Ø33.1" A* = 25.6"
- Artichoke Ø28.3" A* = 28.3"
- Artichoke Ø23.6" A* = 27.5"



ID NUMBER: _____

Please register ID number at www.louispuolsen.com

- Green (Ground) For dimming wires use class 1 wiring methods:
- White (Neutral) Grey (0-10V Dim -)
- Black (Line) Violet (0-10V Dim +)



FOR DIMMING:

Remove & discard resistor from connector

FOR NON-DIMMING:

100%
Keep resistor in connector.
Cap off grey + violet wires.

