

WALL SCONCE

CYLINDER & SQUILINDER LED LUMINAIRE

INSTALLATION

Before beginning installation, disconnect electrical power at main switch or circuit breaker.

A. CAUTION

To reduce the risk of fire, electric shock, and potential damage to recessed housing assembly when electrical power is re-connected, DO NOT ATTEMPT TO CONNECT the following on branch circuit serving recessed downlight assembly:

- Motors
- Power tools
- Extension cords
- Appliances or similar electronics

Fixtures to be mounted in conditions where ambient temperatures do not exceed 40°C.

Ensure AC input voltage is protected against surges & load shifts prior to power supply input.

B. SAFETY INSTRUCTIONS

1. Read installation instructions completely before attempting installation.
2. Failure to follow instructions may result in improper installation and void warranty.
3. Contact Lucifer Lighting Company with any questions or concerns before beginning any installation.
4. Ensure qualified electrician will perform all electrical procedures.
5. Disconnect electrical power circuit before attempting to install sconce, or if adding to or changing configuration of fixture assembly.
6. CAUTION: When fixture is on for long periods the surface may be hot. Take care when making adjustments.

This product must be installed in accordance with applicable electrical and installation codes by a person familiar with the construction and operation of the product and the hazards involved. "CAUTION- RISK OF FIRE"

C. DESCRIPTION

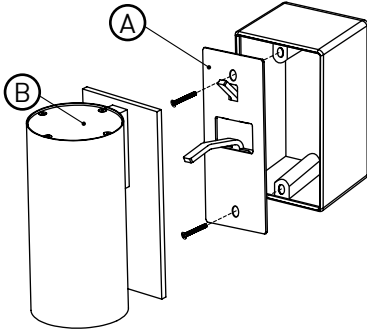
Wall mounted Sconce with dimmable LED module and optional integral or remote driver. Available as down light or up/down light in cylinder or squilinder profiles.

D. MOUNTING

Wall Sconce includes mounting plate with factory supplied hidden screws to mount to single-gang junction box. Accommodates 0.44" (12mm) to 0.75" (19mm) wall thickness.

E. MOUNTING PREPARATION

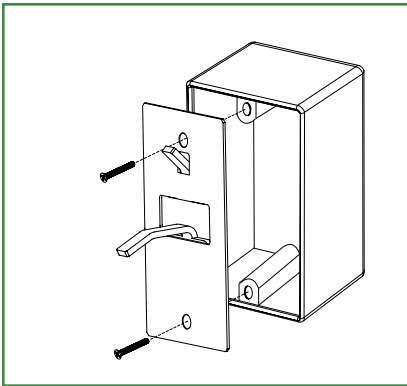
Wall Sconce includes mounting plate with factory supplied hidden screws to mount to customer furnished single-gang junction box. Mounting plate to be installed after wall is finished accommodating 0.44" (12mm) to 0.75" (19mm) wall thickness.



PARTS IDENTIFICATION

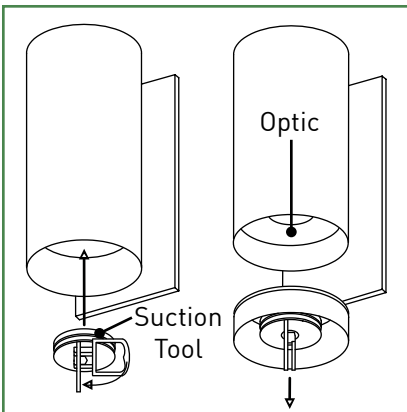
<u>Qty.</u>	<u>Description</u>	<u>Part ID</u>
1	Mounting plate	A
1	Sconce	B

NOTE: Mounting plate ships with Sconce assembly.



STEP 1

After substrate is installed, mounting plate attaches to single-gang junction box with factory supplied screws.



STEP 2

Remove baffle assembly from Sconce by securing suction tool (provided) to lens and gently pulling down to release.

STEP 3

Carefully grab optic and twist counter-clockwise to remove. Set optic and baffle assembly aside in safe location.

F. WIRING / MOUNTING

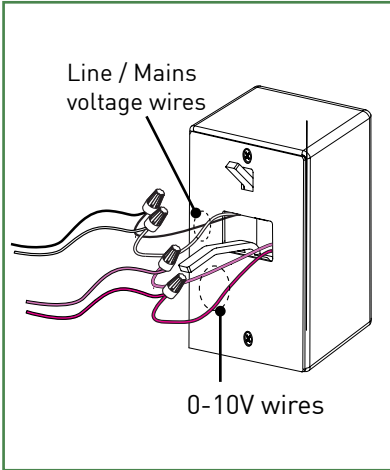
Ensure mounting plate is installed and wall is finished prior to wiring and mounting Sconce.

Note: If using remote power supply, see page 5.

STEP 1A - UL1598 INSTALLATIONS

Attach wiring from line / mains source as indicated with suitable wire-nuts or similar connectors. For 0-10V dimming option, use gray and purple wires as shown. Push connections and excess wiring through slot opening on mounting plate and into junction box.

Black Wire	- Line
White	- Neutral
Green	- Ground
Purple	- Dim +
Pink	- Dim -

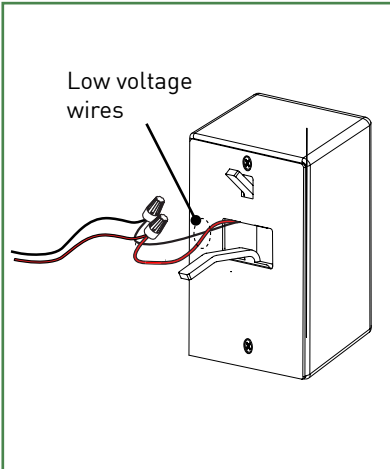


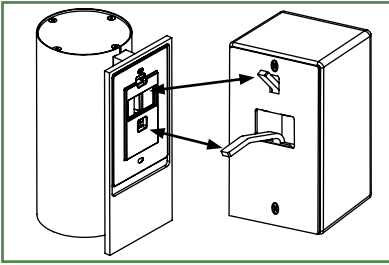
STEP 1A - UL1598 INSTALLATIONS

Attach wiring from low voltage source as indicated with suitable wire-nuts or similar connectors.

Reference Section J for drive current and node compatibility information.

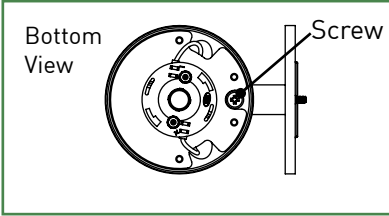
Red Wire	- Positive (+)
Black Wire	- Negative (-)





STEP 2

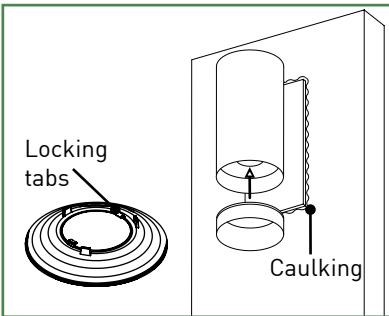
Position arms of mounting plate into slot openings on Sconce assembly. Push Sconce assembly firmly against finished wall.



STEP 3

Tighten #2 Phillips screw, accessible from bottom of Sconce, securing Sconce to mounting plate.

Important: Tighten screw until snug; do NOT over-tighten as this risks damaging the wall plate.



STEP 4

Replace optic and baffle assembly. Ensure both locking tabs of optic engage with LED base and twist clockwise to secure.

Gently push baffle assembly into Sconce body.

STEP 5

Apply silicone caulking around wall plate to fully seal against wall.

Note: Only applies to exterior applications.

G. PS-RMT REMOTE POWER SUPPLY

Note: Up / Down light configurations require 2 remote power supplies.

Determine preferred mounting location, verifying fixture falls within allowable wire capacity distance from selected power supply.

Run suitably sized two-pair wire between remote driver and cylinder location, following installation guidelines for terminating, as applies.

Note: Secondary wiring is polarized (+ / -) and must be terminated correctly at both ends for proper operation. It is recommended to use Red (+) and Black (-) wires to avoid confusion. Additionally, a ground wire should not accompany secondary run wires.

Failure to use the appropriate gauge wire for the run length required and to ensure proper polarity is observed will cause damage to the unit and void the warranty.

Access splice compartment by removing retaining screws, then tilting cover slightly back and away from base (**fig.1**).

Mount transformer back plate assembly to suitable substrate using customer supplied screws (**fig.2**).

Insert line voltage wiring / conduit into line side of splice compartment and secondary voltage wiring / conduit into secondary side of splice compartment utilizing appropriate strain relief or connector (**fig.3**).

Note: Consult wiring diagrams on page 7, in accordance with the applicable driver.

Join structured building wires to corresponding driver wires with suitable customer supplied wire connecting device, ensuring proper polarity is observed with secondary wires.

Push all wires and wire connections into splice compartment and reinstall splice compartment cover by aligning tab and slot, ensuring no wires are pinched by cover, installing retaining screws (**fig.3**).

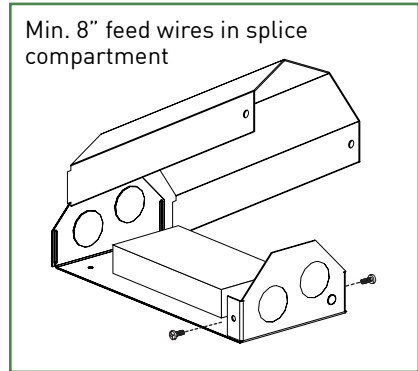


Fig.1

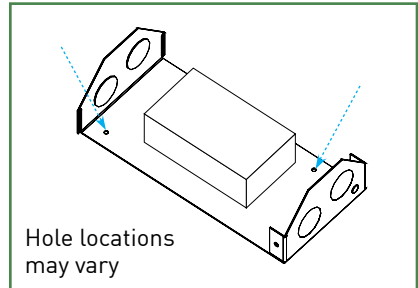


Fig.2

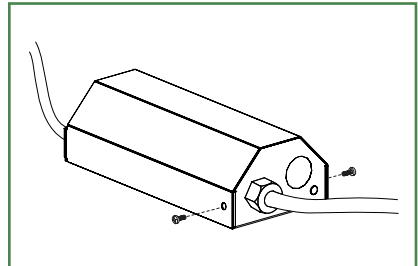


Fig.3

I. SERVICING FIXTURE

Important: Before servicing or maintaining fixture, disconnect electrical power at main switch or circuit breaker. Additionally, review notes in Sections A and B and refer to figures in main installation instructions when necessary.

1. EXCHANGING LOWER OPTIC / EFFECTS DEVICE

- A. Remove baffle assembly by attaching suction tool to lens and pulling down.
- B. To change optic, carefully grab and twist counter-clockwise to remove and clockwise to secure. Ensure that both feet of optic properly engage LED base.
- C. To change effects device, install new baffle assembly with preferred effects device.
- D. Install baffle by pushing up into fixture aperture.

2. EXCHANGING UPPER OPTIC / EFFECTS DEVICE

- A. Remove upper effects device by removing the four screws on top of fixture. Discard o-ring.
- B. To change optic, grab and twist counter-clockwise to remove and clockwise to secure. Ensure that both feet of optic properly engage LED base.
- C. Install new o-ring and effects device with four new screws supplied from factory.

3. REPLACING LOWER LED ASSEMBLY

- A. Remove sconce from wall, see Section F on page 3.
- B. Remove baffle assembly by using suction tool and pulling down.
- C. Grab optic and twist counter-clockwise to remove.
- D. Remove the four outer screws on the LED engine assembly and uncouple the quick connector.
- E. Replace with new OEM LED assembly sourced through Lucifer Lighting by coupling the quick connector and securing with four screws.
- F. Reinstall sconce, see Section F on page 3.

4. REPLACING UPPER LED ASSEMBLY

- A. Remove sconce from wall, see Section F on page 3.
- B. Remove upper effects device by removing the four screws on top of fixture. Discard o-ring.
- C. Grab optic and twist counter-clockwise to remove.
- D. Remove the three outer screws on the LED engine assembly and uncouple the quick connector.
- E. Replace with new OEM LED assembly sourced through Lucifer Lighting by coupling the quick connector and securing with three screws.
- F. Reinstall sconce, see Section F on page 3.

5. REPLACING INTEGRAL DOWNLIGHT (DF) DRIVER

- A. Remove sconce from wall, see Section F on page 3.
- B. Remove top cover plate by removing the four screws on top of fixture.
Discard o-ring.
- C. Remove the screw securing the driver to sconce, carefully lift up and uncouple the quick connector.
- D. Replace with new OEM Driver assembly sourced through Lucifer Lighting by feeding line / control wiring through the mounting plate, coupling the quick connector, and securing with screw.
- E. Install the new o-ring and top cover plate with four new screws supplied from factory.
- F. Reinstall sconce, see Section F on page 3.

6. REPLACING INTEGRAL UP / DOWNLIGHT (UP) DRIVER

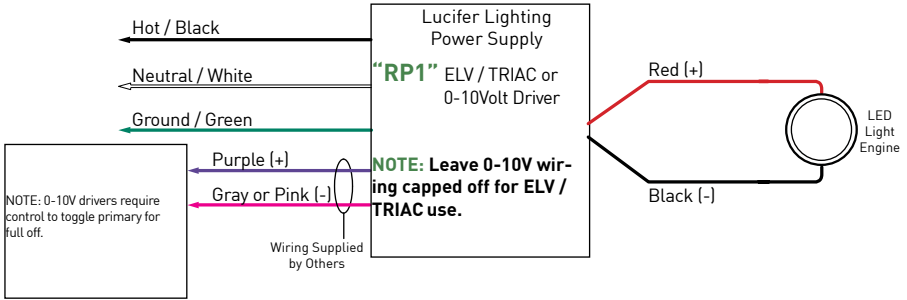
- A. Remove sconce from wall, see Section F on page 3.
- B. Remove baffle assembly by using suction tool and pulling down.
- C. Grab optic and twist counter-clockwise to remove.
- D. Remove the four outer screws on the LED engine assembly and uncouple the lower quick connector.
- E. Carefully pull the drive out of the sconce and uncouple the upper quick connector
- F. Replace with new OEM Driver assembly sourced through Lucifer Lighting by coupling the upper quick connector, feeding line / control wiring through the mounting plate, and slide the driver into the sconce.
- G. Couple the lower quick connector and reinstall the LED engine assembly securing with the four screws previously removed.
- H. Reinstall sconce, see Section F on page 3.

I. REMOTE DRIVER WIRING DETAIL

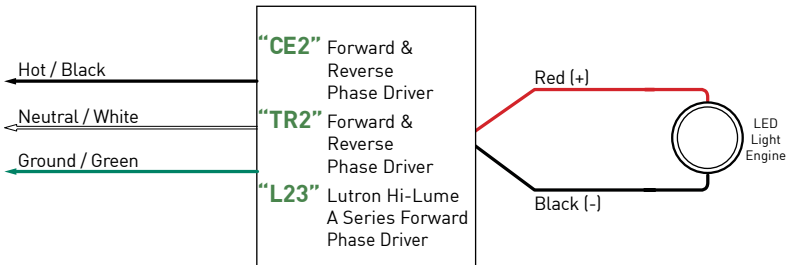
GENERAL WIRING NOTES

1. Consult Approved Dimmer List to Ensure Compatibility.
2. Install in accordance with dimmer manufacturer’s installation guidelines.

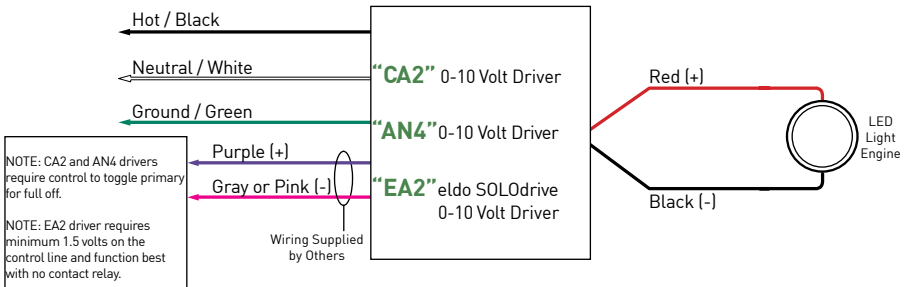
WIRING DIAGRAM FOR RP1 DRIVER



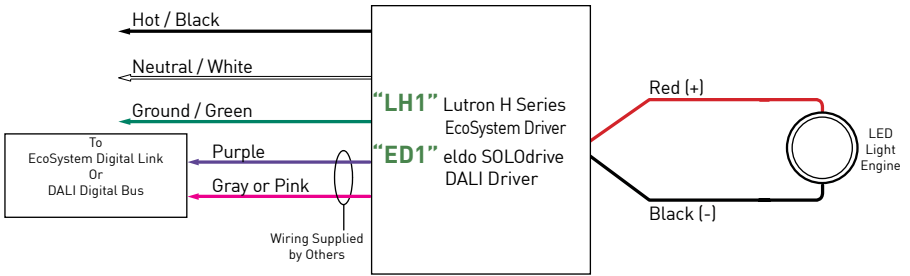
WIRING DIAGRAM FOR LINE DIMMING



WIRING DIAGRAM FOR ANALOG CONTROL



WIRING DIAGRAM FOR ECOSYSTEM AND DIGITAL CONTROL






J. UL2108 INSTALLATION INFORMATION

Drive Current Information:

	80C			90C			97C			90W
	12A	19A	25A	10A	15A	20A	10A	12A	19A	13A
Minimum Vf	30.5	30.5	30.5	30.5	30.5	30.5	30.5	30.5	30.5	30.5
Maximum Vf	39	39	39	39	39	39	39	39	39	39
Current mA	250	400	550	250	350	500	250	350	500	14 - 350
Wattage W	8.2	13.6	19.4	8.2	13.6	19.4	8.2	13.6	19.4	13.6

Node Compatibility:

Manufacturer	Model Number
 Enabling Smart Buildings™	NP50-60-C-F-5
	180996-1001 180996-1002 180996-2001 180996-2002
	1 Channel Node, POE-LN2-1U-E 2 Channel Node, POE-LN2-2U-E 4 Channel Node, POE-LN2-4U-E

Please consult website for full warranty terms and conditions:

www.luciferlighting.com/warranty

[02072022]

3750 North PanAm Expressway
San Antonio, TX 78219 USA

[PH] +1 210 227 7329

[FAX] +1 210 227 4967

www.luciferlighting.com

LUCIFER®
LIGHTING COMPANY

©2022 Lucifer Lighting Company

As part of its policy of continuous research and product development, the Company reserves the right to change or withdraw specifications without prior notice.