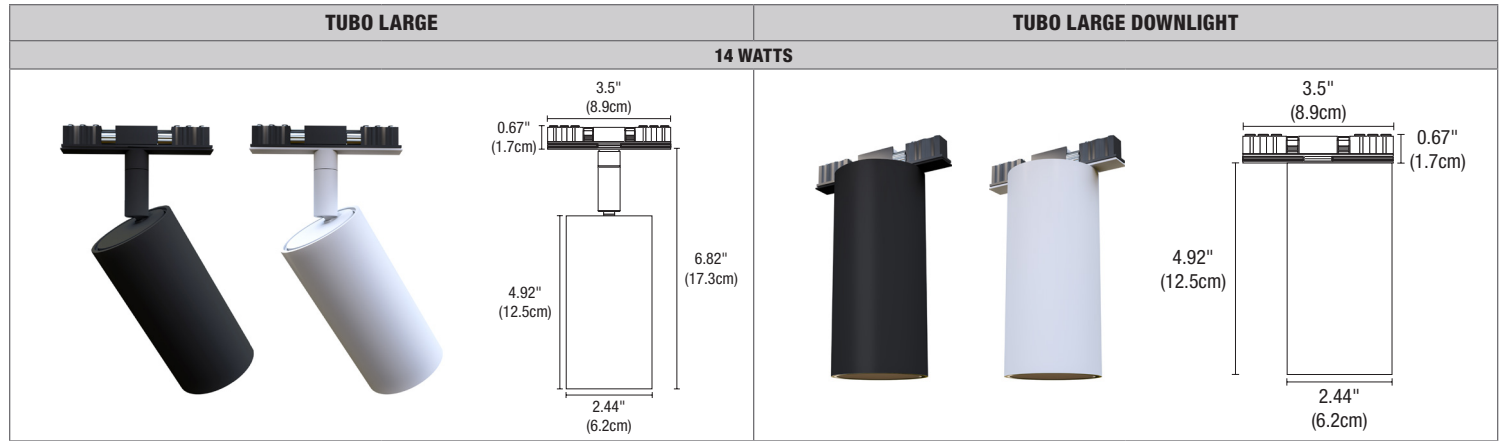


# T24M TRACK HEADS, 2 CIRCUIT MAGNETIC

24VDC WITH INTEGRATED LED, STATIC WHITE & WARM DIM TECHNOLOGY

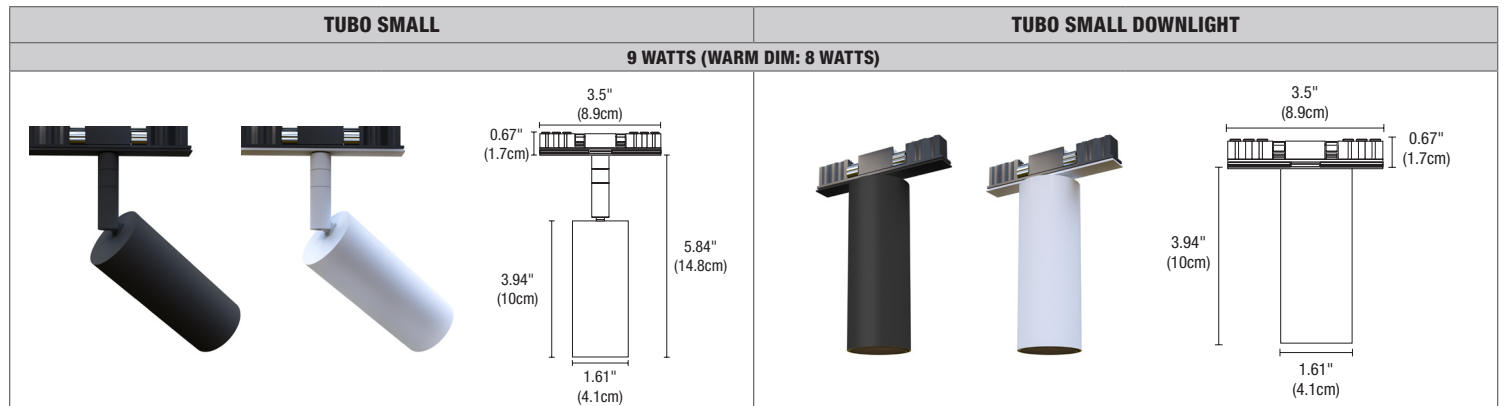
REV 06.09.22

PureEdge T24M Track Heads are Compatible with TruTrack® Magnetic (TR24M-2C) and Surface Mount track (TS24M-2C). 24VDC - All uniform beam spread options are field changeable. See accessories page for more information.



System	Type	Fixture	Beam Spread	Color Temperature	Finish
<b>T24M</b>	<b>2C</b>	<b>TUBL</b>	<b>FL</b>	<b>30K</b>	<b>WH</b>
T24M Track Head 24V Magnetic Connector	2C 2 Circuit	TUBL Tubo Large TUBLD Tubo Large Downlight	NS Narrow Spot 10° SP Spot 20° NF Narrow Flood 35° FL Flood 45° VW Very Wide Flood 75° For 7° use STB16-BK snoot with NS	24K 2400K Very Warm White 27K 2700K Incandescent White 30K 3000K Warm White 30D 3000D Warm Dim* 35K 3500K Neutral White *Not available in VW 30D NS: 7.5W 400 lumens	BK Black Powder Coat WH White Powder Coat

	BEAM ANGLE REFERENCE 45°				
COLOR TEMPERATURE	24K	27K	30K	30D	35K
TOTAL LUMENS	1238	1035	1069	683	1268
WATTS	14	14	14	14	14
LUMENS PER WATT (lm/w)	88	74	76	49	91
CRI	97	92	91	97	98
TM-30 DATA	R9: 60 Rf: 93 Rg: 98	R9: 97 Rf: 92 Rg: 100	R9: 64 Rf: 91 Rg: 98	R9: 90 Rf: 95 Rg: 102	R9: 92 Rf: 94 Rg: 101



System	Type	Fixture	Beam Spread	Color Temperature	Finish
<b>T24M</b>	<b>2C</b>	<b>TUBS</b>	<b>FL</b>	<b>30K</b>	<b>WH</b>
T24M Track Head 24V Magnetic Connector	2C 2 Circuit	TUBS Tubo Small TUBSD Tubo Small Downlight	NS Narrow Spot 15° SP Spot 25° NF Narrow Flood 35° FL Flood 45° VW Very Wide Flood 75° For 7° use STB16-BK snoot with NS	24K 2400K Very Warm White 27K 2700K Incandescent White 30K 3000K Warm White 30D 3000D Warm Dim 35K 3500K Neutral White	BK Black Powder Coat WH White Powder Coat

	BEAM ANGLE REFERENCE 45°				
COLOR TEMPERATURE	24K	27K	30K	30D	35K
TOTAL LUMENS	503	420	434	287	515
WATTS	9	9	9	8	9
LUMENS PER WATT (lm/w)	59	49	51	39	61
CRI	97	92	93	94	98
TM-30 DATA	R9: 60 Rf: 93 Rg: 98	R9: 97 Rf: 92 Rg: 100	R9: 64 Rf: 91 Rg: 98	R9: 90 Rf: 95 Rg: 102	R9: 92 Rf: 94 Rg: 101

\*For more detailed information, including Title 24 compliance, please view individual product specifications at [www.PureEdgeLighting.com](http://www.PureEdgeLighting.com).

PROJECT	FIXTURE TYPE	DATE
---------	--------------	------

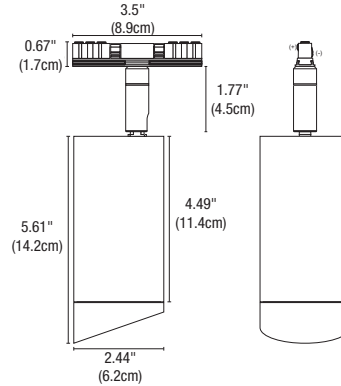
# T24M TRACK HEADS, 2 CIRCUIT MAGNETIC

24VDC WITH INTEGRATED LED, STATIC WHITE & WARM DIM TECHNOLOGY

REV 06.09.22

## TUBO LARGE WALL WASH

15 WATTS



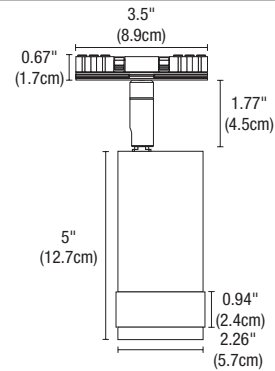
System: **T24M** | Type: **2C** | Fixture: **TUBL** | Beam Spread: **WW** | Color Temperature: **30K** | Finish: **BK**

- T24M** Track Head 24V Magnetic Connector
- 2C** 2 Circuit
- TUBL** Tubo Large
- WW** Wall Wash
- 24K** 2400K Very Warm White
- 27K** 2700K Incandescent White
- 30K** 3000K Warm White
- 30D** 3000K Warm Dim to 1800K
- 35K** 3500K Neutral White
- BK** Black Powder Coat
- WH** White Powder Coat

TUBO WALL WASH	
COLOR TEMPERATURE	30K
TOTAL LUMENS	884
WATTS	15
LUMENS PER WATT (lm/w)	59
CRI	92
TM-30 DATA	R9: 61.2 Rf: 92 Rg: 100

## ZOOM

16 WATTS



System: **T24M** | Type: **2C** | Fixture: **ZOOM** | Beam Spread: **Z2** | Color Temperature: **30K** | Finish: **BK**

- T24M** Track Head 24V Magnetic Connector
  - 2C** 2 Circuit
  - ZOOM** Zoom
  - Z1** Zoom Adjust 15° to 55°
  - Z2** Zoom Adjust 20° to 50°
  - 24K** 2400K Very Warm White
  - 27K** 2700K Incandescent White
  - 30K** 3000K Warm White
  - 30D** 3000K Warm Dim to 1800K\*
  - 35K** 3500K Neutral White
  - BK** Black Powder Coat
  - WH** White Powder Coat
- \*Only available for Z2

	Z1		Z2		Z2	
BEAM ANGLE	15°	55°	20°	50°	20°	50°
COLOR TEMPERATURE	30K	30K	30K	30K	30D	30D
TOTAL LUMENS	686	873	795	1188	727	879
WATTS	16	16	16	16	15	15
LUMENS PER WATT (lm/w)	46	61	69	89	50	61
CRI	93	93	94	94	97	97
TM-30 DATA	R9: 66 Rf: 92 Rg: 101	R9: 66 Rf: 92 Rg: 101	R9: 74 Rf: 92 Rg: 102	R9: 74 Rf: 92 Rg: 102	R9: 66 Rf: 94 Rg: 101	R9: 66 Rf: 94 Rg: 101

PROJECT	FIXTURE TYPE	DATE
---------	--------------	------

# T24M TRACK HEADS, 2 CIRCUIT MAGNETIC

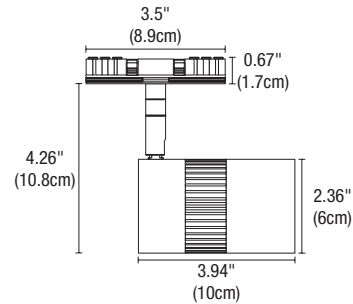
## 24VDC WITH INTEGRATED LED, STATIC WHITE & WARM DIM TECHNOLOGY

REV 06.09.22

All uniform beam spread options are field changeable.

### RADIANT LARGE

14 WATTS



System	Type	Fixture	Beam Spread	Color Temperature	Finish
<b>T24M</b>	<b>2C</b>	<b>RADL</b>	<b>FL</b>	<b>30K</b>	<b>WH</b>
T24M Track Head 24V Magnetic Connector	2C 2 Circuit	RADL Radiant Large	<b>NS</b> Narrow Spot 10° <b>SP</b> Spot 20° <b>NF</b> Narrow Flood 35° <b>FL</b> Flood 45° <b>WF</b> Wide Flood 60°	<b>24K</b> 2400K Very Warm White <b>27K</b> 2700K Incandescent White <b>30K</b> 3000K Warm White <b>30D</b> 3000D Warm Dim* <b>35K</b> 3500K Neutral White	<b>BK</b> Black Powder Coat <b>WH</b> White Powder Coat

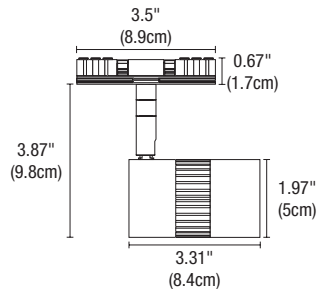
Warm Dim: **NS** (15°),  
**SP** (25°)  
\*Not available in NF

#### BEAM ANGLE REFERENCE 45°

	24K	27K	30K	30D	35K
<b>COLOR TEMPERATURE</b>	24K	27K	30K	30D	35K
<b>TOTAL LUMENS</b>	1389	1161	1199	838	1422
<b>WATTS</b>	14	14	14	14	14
<b>LUMENS PER WATT (lm/w)</b>	99	83	86	58	102
<b>CRI</b>	97	92	93	97	98
<b>TM-30 DATA</b>	R9: 60 Rf: 93 Rg: 98	R9: 97 Rf: 92 Rg: 100	R9: 64 Rf: 91 Rg: 98	R9: 90 Rf: 95 Rg: 102	R9: 92 Rf: 94 Rg: 101

### RADIANT MEDIUM

11 WATTS (WARM DIM: 8 WATTS)



System	Type	Fixture	Beam Spread	Color Temperature	Finish
<b>T24M</b>	<b>2C</b>	<b>RADM</b>	<b>FL</b>	<b>30K</b>	<b>WH</b>
T24M Track Head 24V Magnetic Connector	2C 2 Circuit	RADM Radiant Medium	<b>SP</b> Spot 20° <b>NF</b> Narrow Flood 35° <b>FL</b> Flood 45° <b>WF</b> Wide Flood 60°	<b>24K</b> 2400K Very Warm White <b>27K</b> 2700K Incandescent White <b>30K</b> 3000K Warm White <b>30D</b> 3000D Warm Dim <b>35K</b> 3500K Neutral White	<b>BK</b> Black Powder Coat <b>WH</b> White Powder Coat

#### BEAM ANGLE REFERENCE 45°

	24K	27K	30K	30D	35K
<b>COLOR TEMPERATURE</b>	24K	27K	30K	30D	35K
<b>TOTAL LUMENS</b>	765	639	660	360	783
<b>WATTS</b>	11	11	11	8	11
<b>LUMENS PER WATT (lm/w)</b>	70	58	64	47	76
<b>CRI</b>	97	92	93	93	98
<b>TM-30 DATA</b>	R9: 97 Rf: 92 Rg: 100	R9: 64 Rf: 91 Rg: 98	R9: 90 Rf: 95 Rg: 102	R9: 92 Rf: 94 Rg: 101	R9: 92 Rf: 94 Rg: 101

<b>MATERIAL</b>	Extruded Aluminum	<b>FREQUENCY</b>	50/60HZ	<b>APPLICATION</b>	Suitable for damp or dry locations. Indoor use only.	<b>COMPLIANCE LABEL</b>	ETL to UL 2108 Standard
<b>INPUT VOLTAGE</b>	24VDC	<b>POWER FACTOR</b>	> 0.90	<b>DIMMING &amp; FLICKER</b>	0-10V dimming Flicker less than 2%	<b>LED LAMP LIFE</b>	60,000 Hours

\*For more detailed information, including Title 24 compliance, please view individual product specifications at [www.PureEdgeLighting.com](http://www.PureEdgeLighting.com).

PROJECT	FIXTURE TYPE	DATE
---------	--------------	------

# T24M TRACK HEADS, 2 CIRCUIT MAGNETIC

24VDC WITH INTEGRATED LED, STATIC WHITE & WARM DIM TECHNOLOGY

Additional Lenses and Accessories

REV 06.09.22

TUBO LARGE LENS		SNOOT		LOUVER	FOCUS LENS	LINEAR SPREAD FILM	
<b>ORDERING CODE</b>	<b>STATIC WHITE</b> LEN-TUBL-NS-SW LEN-TUBL-SP-SW LEN-TUBL-NF-SW LEN-TUBL-FL-SW LEN-TUBL-VW-SW	<b>WARM DIM</b> LEN-TUBL-NS-WD LEN-TUBL-SP-WD LEN-TUBL-NF-WD LEN-TUBL-FL-WD	<b>STB16-BK</b> <b>STB16-WH (WHITE SHELL)</b>	<b>ST16-BK</b> <b>ST16-WH</b>	<b>L016-H</b>	<b>LF-TUBL-SF (SOFT FOCUS),</b> <b>MF (MEDIUM FOCUS),</b> <b>WF (WIDE FOCUS)</b>	<b>LF-TUBL-LS</b>
<b>LENS SIZE</b>	2" (50mm) Diameter						
<b>BEAM SPREADS</b>	<b>NS (10°), SP (20°), NF (35°)</b> <b>FL (45°), VW (75°)</b>		Conical snoot creates a 7° Beam spread and is designed to reduce spill and control glare. Spun aluminum.	Snoot is designed to reduce spill and control glare. Spun aluminum.	Hexcell louver eliminates glare. 0.125" Thickness.	Soft focus lens is included with every track head. Diffuses the beam, providing uniform illumination.	Linear spread film: directs the light into an elongated beam. Typical applications using 10°, 15°, 25° include illuminating landscape oriented art. 35°, 40°, 60° create an elongated oval typically used for wall washing.

TUBO SMALL LENS		SNOOT		LOUVER	FOCUS LENS	LINEAR SPREAD FILM	
<b>ORDERING CODE</b>	<b>STATIC WHITE</b> LEN-TUBS-NS-SW LEN-TUBS-SP-SW LEN-TUBS-NF-SW LEN-TUBS-FL-SW LEN-TUBS-VW-SW	<b>WARM DIM</b> LEN-TUBS-NS-WD LEN-TUBS-SP-WD LEN-TUBS-NF-WD LEN-TUBS-FL-WD LEN-TUBS-VW-WD	<b>TUBS-ST-BK</b> <b>TUBS-ST-WH (WHITE SHELL)</b>		<b>L011-H</b>	<b>LF-TUBS-SF (SOFT FOCUS),</b> <b>MF (MEDIUM FOCUS),</b> <b>WF (WHITE FOCUS)</b>	<b>LF-TUBS-LS</b>
<b>LENS SIZE</b>	1.37" (35mm) Diameter						
<b>BEAM SPREADS</b>	<b>NS (15°), SP (25°), NF (35°),</b> <b>FL (45°), VW (75°)</b>		Conical snoot creates a 7° Beam spread and is designed to reduce spill and control glare. Spun aluminum.	Hexcell louver eliminates glare. 0.125" Thickness.	Soft focus lens is included with every track head. Diffuses the beam, providing uniform illumination.	Linear spread film: directs the light into an elongated beam. Typical applications using 10°, 15°, 25° include illuminating landscape oriented art. 35°, 40°, 60° create an elongated oval typically used for wall washing.	

RADIANT LARGE LENS		SNOOT		LOUVER	FOCUS LENS	LINEAR SPREAD FILM	
<b>ORDERING CODE</b>	<b>STATIC WHITE</b> LEN-RADL-NS-SW LEN-RADL-SP-SW LEN-RADL-NF-SW LEN-RADL-FL-SW LEN-RADL-WF-SW	<b>WARM DIM</b> LEN-RADL-NS-WD LEN-RADL-SP-WD LEN-RADL-FL-WD LEN-RADL-WF-WD	<b>STB16-BK</b> <b>STB16-WH (WHITE SHELL)</b>		<b>L016-H</b>	<b>LF-RADL-SF (SOFT FOCUS),</b> <b>MF (MEDIUM FOCUS),</b> <b>WF (WIDE FOCUS)</b>	<b>LF-RADL-LS</b>
<b>LENS SIZE</b>	2" (50mm) Diameter						
<b>BEAM SPREADS</b>	<b>NS (10°), SP (20°),</b> <b>NF (35°), FL (45°),</b> <b>WF (60°)</b>	<b>NS (15°), SP (25°),</b> <b>FL (45°), WF (60°)</b>	Conical snoot creates a 7° Beam spread and is designed to reduce spill and control glare. Spun aluminum.	Hexcell louver eliminates glare. 0.125" Thickness.	Soft focus lens is included with every track head. Diffuses the beam, providing uniform illumination.	Linear spread film: directs the light into an elongated beam. Typical applications using 10°, 15°, 25° include illuminating landscape oriented art. 35°, 40°, 60° create an elongated oval typically used for wall washing.	

RADIANT MEDIUM LENS		LOUVER	FOCUS LENS	LINEAR SPREAD FILM
<b>ORDERING CODE</b>	<b>STATIC WHITE</b> LEN-RADM-SP-SW LEN-RADM-NF-SW LEN-RADM-FL-SW LEN-RADM-WF-SW	<b>L011-H</b>	<b>LF-RADM-SF (SOFT FOCUS)</b> <b>MF (MEDIUM FOCUS), WF (WIDE FOCUS)</b>	<b>LF-RADM-LS</b>
<b>LENS SIZE</b>	1.37" (35mm) Diameter	MR16 Hexcell louver accessory eliminates glare. 2" Diameter x .125" Thick.		
<b>BEAM SPREADS</b>	<b>SP (20°), NF (35°), FL (45°), WF (60°)</b>	Hexcell louver eliminates glare. 0.125" Thickness.	Soft focus lens is included with every track head. Diffuses the beam, providing uniform illumination.	Linear spread film: directs the light into an elongated beam. Typical applications using 10°, 15°, 25° include illuminating landscape oriented art. 35°, 40°, 60° create an elongated oval typically used for wall washing.

PROJECT		FIXTURE TYPE		DATE	
---------	--	--------------	--	------	--

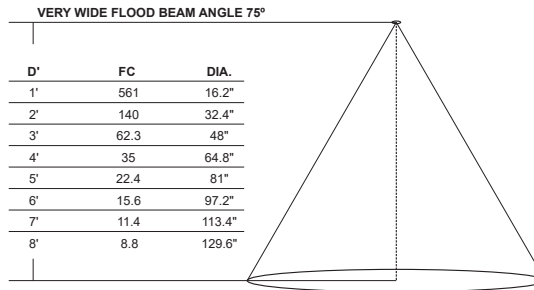
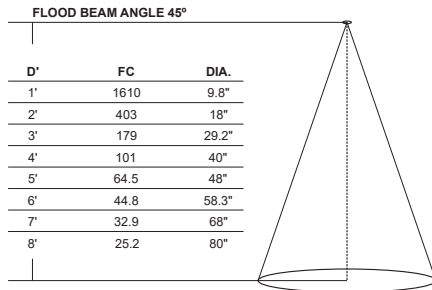
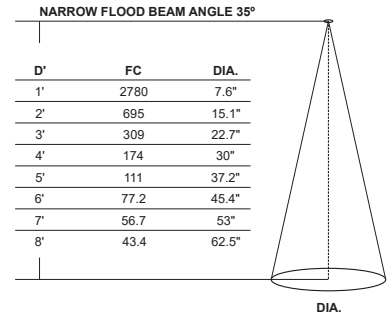
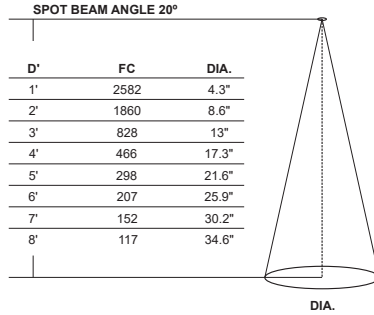
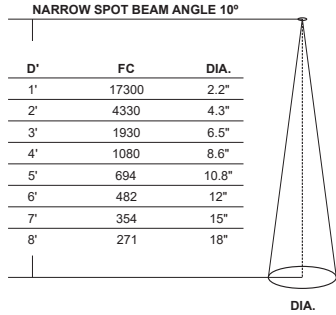
# T24M TRACK HEADS, 2 CIRCUIT MAGNETIC

24VDC WITH INTEGRATED LED, STATIC WHITE & WARM DIM TECHNOLOGY

REV 06.09.22

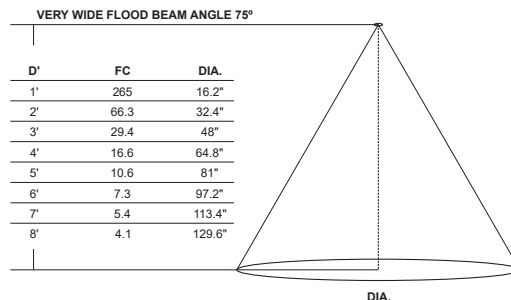
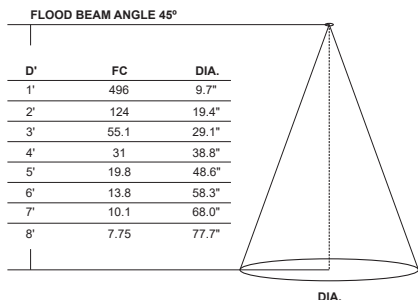
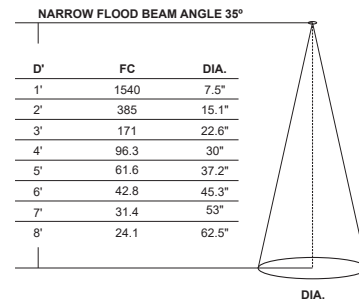
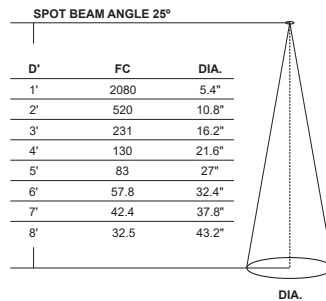
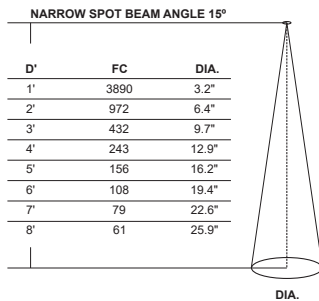
## TUBO LARGE Photometric Data at 3000K

**D** - Distance from fixture  
**FC** - Initial foot candles at the center of beam  
**DIA** - Diameter



## TUBO SMALL Photometric Data at 3000K

**D** - Distance from fixture  
**FC** - Initial foot candles at the center of beam  
**DIA** - Diameter



PROJECT	FIXTURE TYPE	DATE
---------	--------------	------

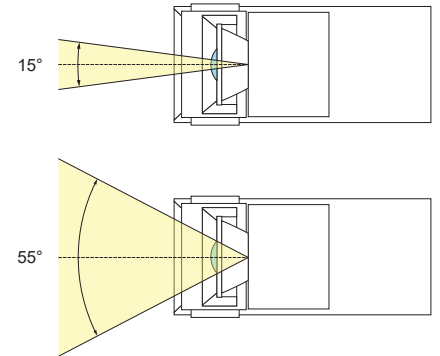
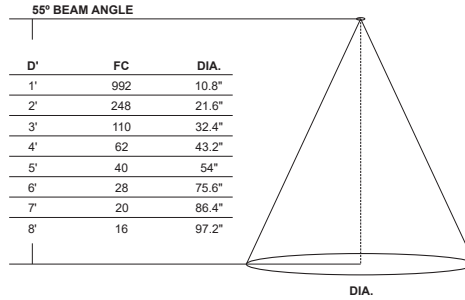
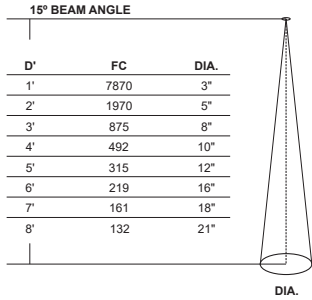
# T24M TRACK HEADS, 2 CIRCUIT MAGNETIC

24VDC WITH INTEGRATED LED, STATIC WHITE & WARM DIM TECHNOLOGY

REV 06.09.22

## ZOOM Z1 Photometric Data at 3000K

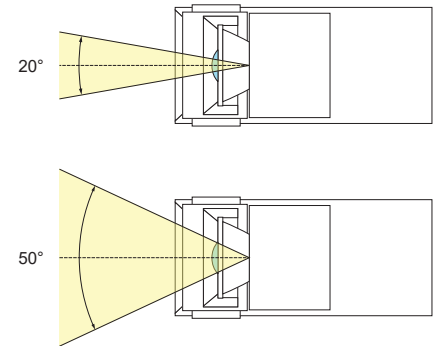
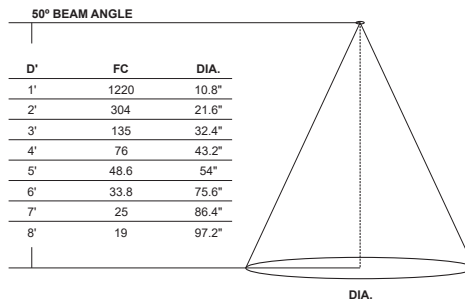
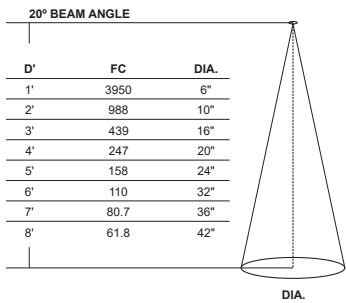
**D** - Distance from fixture  
**FC** - Initial foot candles at the center of beam  
**DIA** - Diameter



Z1: Adjustable between 15° and 55°

## ZOOM Z2 Photometric Data at 3000K

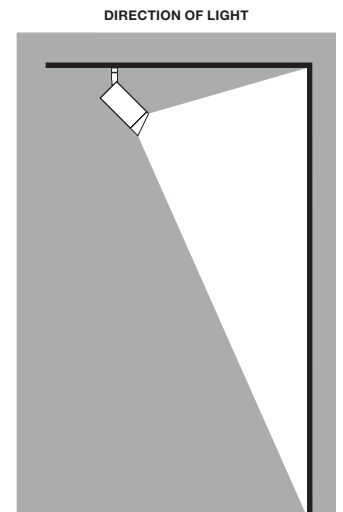
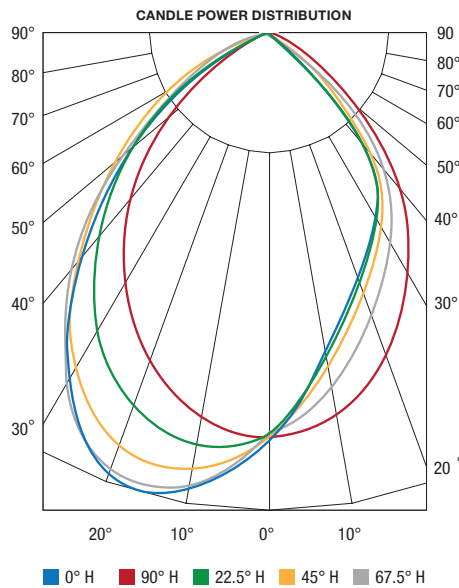
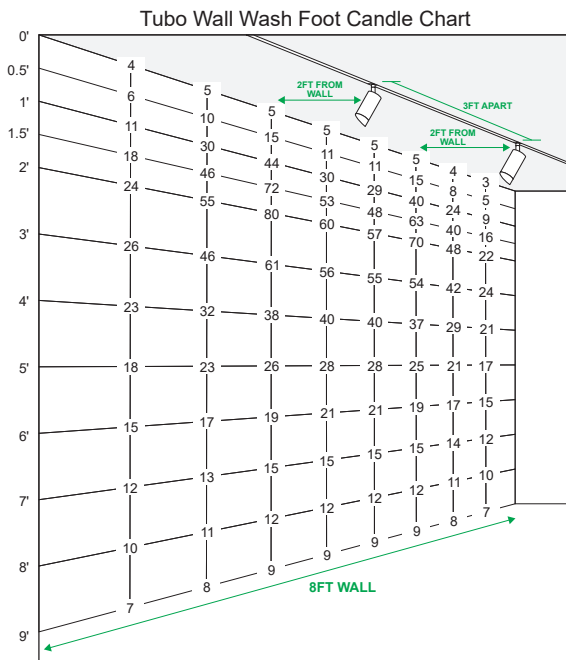
**D** - Distance from fixture  
**FC** - Initial foot candles at the center of beam  
**DIA** - Diameter



Z2: Adjustable between 20° and 50°

## TUBO WALL WASH Photometric Data at 3000K

**D** - Distance from fixture  
**FC** - Initial foot candles at the center of beam  
**DIA** - Diameter



PROJECT	FIXTURE TYPE	DATE
---------	--------------	------

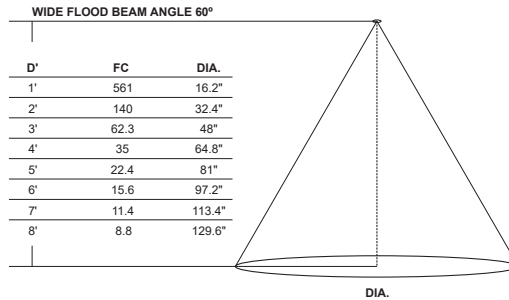
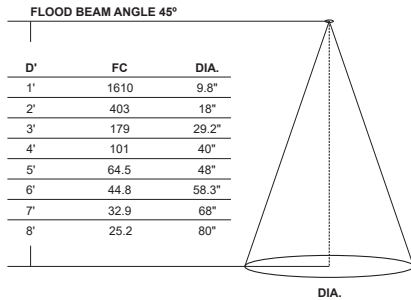
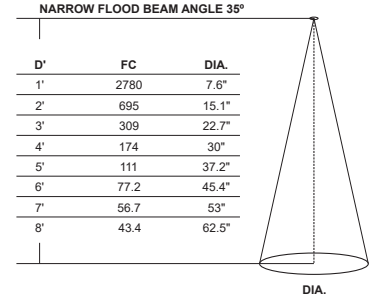
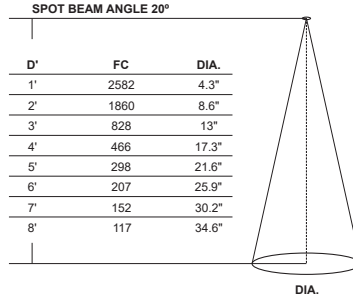
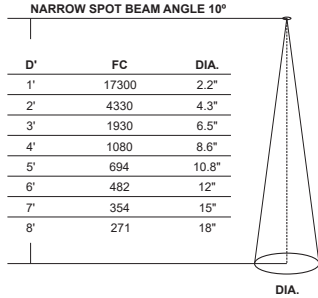
# T24M TRACK HEADS, 2 CIRCUIT MAGNETIC

24VDC WITH INTEGRATED LED, STATIC WHITE & WARM DIM TECHNOLOGY

REV 06.09.22

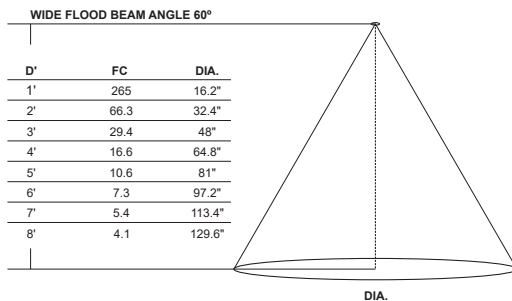
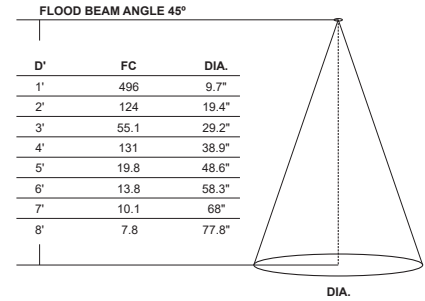
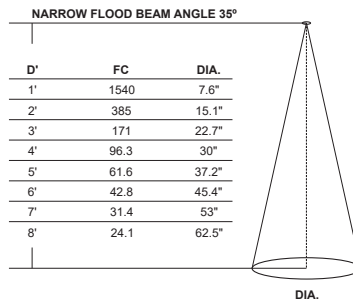
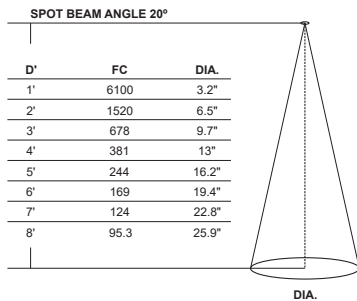
## RADIANT LARGE Photometric Data at 3000K

**D** - Distance from fixture  
**FC** - Initial foot candles at the center of beam  
**DIA** - Diameter



## RADIANT MEDIUM Photometric Data at 3000K

**D** - Distance from fixture  
**FC** - Initial foot candles at the center of beam  
**DIA** - Diameter



PROJECT	FIXTURE TYPE	DATE
---------	--------------	------



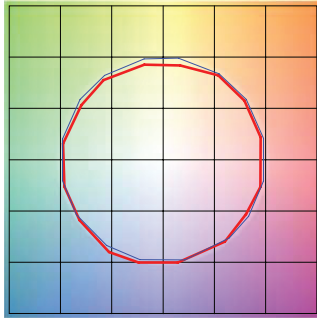
# TM30 DATA

24VDC WITH INTEGRATED LED, STATIC WHITE & WARM DIM TECHNOLOGY

**TM-30-15 DATA:** Consistent color temperatures among multiple track heads is possible through a 3 phase binning process in which each order is inspected with a color meter to ensure uniformity.

**2400K** | Rf: 91.2 | Rg: 96.8

Color Vector Graphic

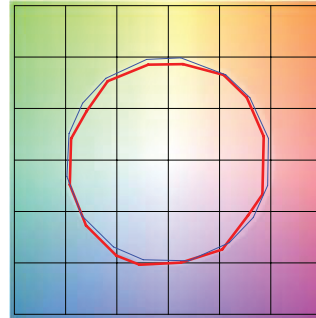


■ Test ■ Reference

HUE BIN	Rf	GRAPHIC SHIFTS %	
		CHROMA	HUE
1	92.0	-2.4%	1.5%
2	94.7	-2.1%	0.0%
3	95.4	-1.9%	-0.1%
4	88.7	-6.7%	-3.1%
5	92.8	-5.6%	1.0%
6	92.7	-3.4%	3.4%
7	89.9	-4.3%	4.1%
8	92.4	-1.4%	4.4%
9	89.0	-0.6%	5.8%
10	88.9	0.4%	6.2%
11	89.7	4.0%	5.4%
12	92.6	3.0%	-0.7%
13	90.9	1.1%	-7.0%
14	89.9	0.5%	-5.8%
15	92.1	-3.2%	0.1%
16	88.9	-1.7%	-6.3%

**2700K** | Rf: 87.7 | Rg: 96.1

Color Vector Graphic

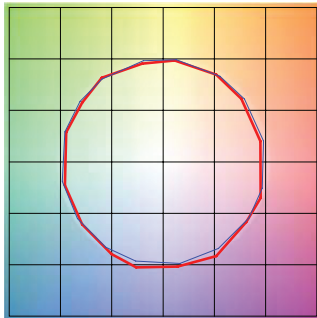


■ Test ■ Reference

HUE BIN	Rf	GRAPHIC SHIFTS %	
		CHROMA	HUE
1	88.0	-4.3%	2.6%
2	91.6	-2.4%	2.0%
3	93.7	-1.4%	1.9%
4	88.9	-5.6%	-3.1%
5	92.3	-5.5%	-0.5%
6	92.9	-3.5%	0.1%
7	84.5	-7.5%	4.6%
8	90.8	-3.0%	4.4%
9	84.5	-1.3%	8.3%
10	83.9	2.0%	9.8%
11	87.2	5.3%	7.1%
12	89.2	5.4%	-2.6%
13	88.7	0.3%	-7.8%
14	86.8	1.7%	-9.3%
15	87.6	-5.4%	-1.3%
16	83.6	-3.3%	-9.5%

**3000K** | Rf: 88.1 | Rg: 99.7

Color Vector Graphic

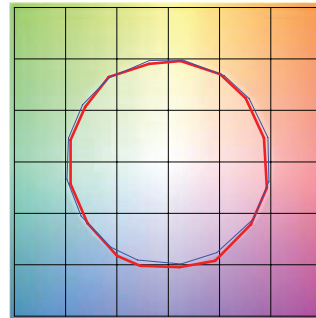


■ Test ■ Reference

HUE BIN	Rf	GRAPHIC SHIFTS %	
		CHROMA	HUE
1	92.5	-3.1%	0.3%
2	93.3	-2.3%	1.9%
3	90.9	-0.8%	3.9%
4	94.3	-1.1%	1.4%
5	92.5	-2.6%	1.5%
6	96.4	1.2%	-0.3%
7	92.6	-2.5%	-0.0%
8	96.9	-1.4%	0.2%
9	92.3	-1.8%	4.3%
10	86.6	-0.7%	7.0%
11	86.5	2.4%	8.2%
12	89.8	5.9%	1.7%
13	93.9	2.6%	-2.7%
14	89.4	5.1%	-5.8%
15	90.1	-0.1%	-4.7%
16	86.5	0.3%	-9.7%

**3500K** | Rf: 86.1 | Rg: 95.5

Color Vector Graphic

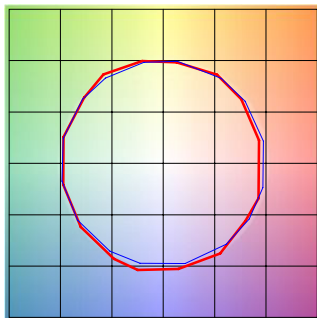


■ Test ■ Reference

HUE BIN	Rf	GRAPHIC SHIFTS %	
		CHROMA	HUE
1	90.8	-3.8%	0.3%
2	92.3	-2.8%	2.1%
3	89.7	-1.0%	4.3%
4	92.6	-1.4%	1.7%
5	91.8	-3.1%	1.3%
6	96.2	0.8%	-0.4%
7	92.9	-3.2%	0.2%
8	94.3	-2.5%	1.5%
9	90.4	-2.5%	5.2%
10	84.3	-1.4%	9.5%
11	83.1	3.5%	9.8%
12	88.2	4.8%	3.4%
13	94.0	2.7%	-2.0%
14	88.7	5.9%	-5.8%
15	88.7	0.7%	-5.9%
16	86.8	-0.7%	-6.7%

**3000D** | Rf: 89.8 | Rg: 101.4

Color Vector Graphic



■ Test ■ Reference

HUE BIN	Rf	GRAPHIC SHIFTS %	
		CHROMA	HUE
1	90.2	-4.2%	1.5%
2	90.9	-2.0%	3.7%
3	87.9	0.8%	5.5%
4	92.1	-0.9%	0.6%
5	93.0	1.5%	1.6%
6	92.2	3.9%	-0.2%
7	92.1	-0.3%	-2.0%
8	96.7	0.0%	-1.2%
9	92.5	-0.6%	3.7%
10	88.3	1.1%	7.0%
11	87.2	4.1%	7.4%
12	87.2	6.7%	-1.0%
13	88.2	3.8%	-7.2%
14	85.3	4.3%	-9.9%
15	90.9	-2.2%	-3.6%
16	83.4	-2.2%	-11.2%

PROJECT	FIXTURE TYPE	DATE
---------	--------------	------