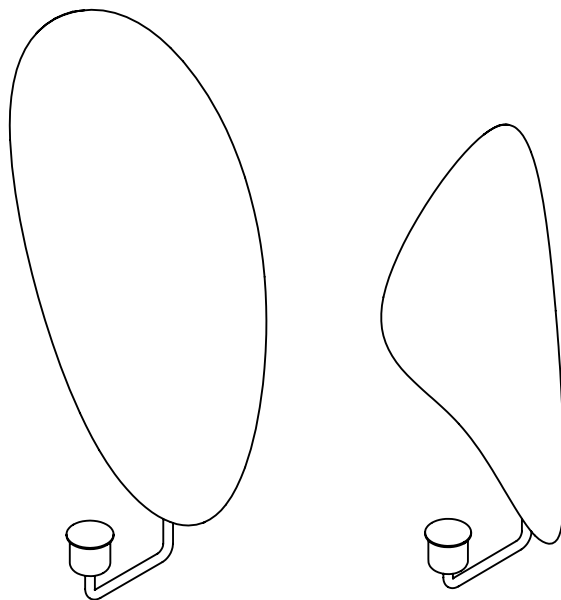


Flambeau Candle Holder

by Krøyer-Sætter-Lassen



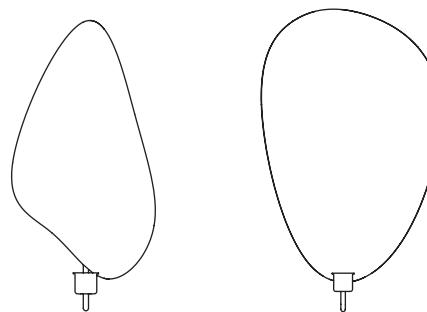
MENU

Congratulations on your Flambeau Candle Holder designed by Krøyer-Sætter-Lassen.

We hope you will enjoy using this item and follow these instructions to ensure correct installation.

These instructions are provided for your safety. It is important that the instructions are read carefully and completely before mounting.

COMPONENT OVERVIEW



1 x Flambeau H34

1 x Flambeau H40

IMPORTANT INFORMATION

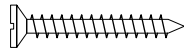
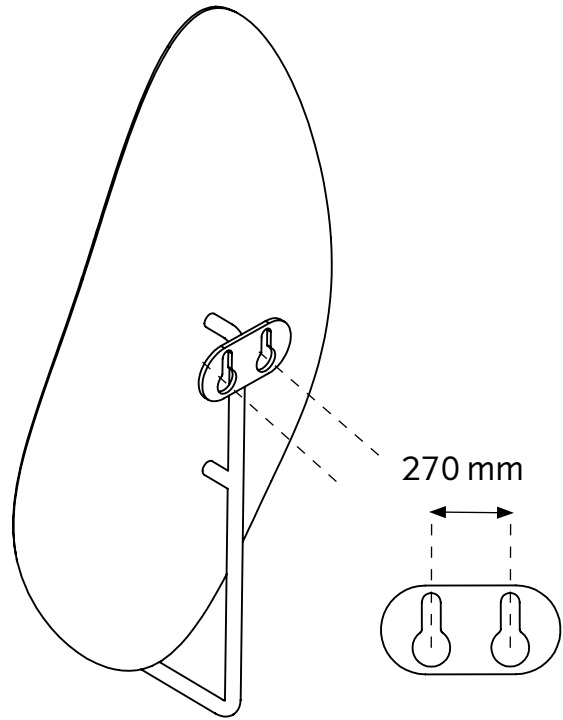
CAUTION

Use screws and wall plugs that are suitable for the walls in your home. If you are uncertain as to which types of screws/wall plugs to use, you should ask your DIY store.

CARE AND MAINTENANCE

Please see care instructions on www.menuspace.com

1



2 x Screws



2 x Plugs

