

# MIDWAY

RECESSED COLLECTION



6"

## 45379 SQUARE FIXED DOWNLIGHT



The Midway collection is a family of integrated led recessed lights available in sizes ranging from 2"-6". With their durable die cast aluminum bodies and built on CCT color selecting switch Midway family fixtures are aesthetically appealing, functional and extremely versatile. Their IC rated shallow bodies allow them to be used in most residential and commercial installations with or without insulation in the ceiling. Midway fixtures are available in white or black finish and come standard with a reliable phase dimming power supply.

PROJECT: \_\_\_\_\_

TYPE: \_\_\_\_\_

DATE: \_\_\_\_\_

NOTES: \_\_\_\_\_

ADJUSTABLE CCT

2700K . 3000K . 3500K . 4000K . 5000K

### SPECIFICATIONS

#### LIGHT HOUSING

- IC Airtight Cast aluminum body.
- Remodel application. C/W spring loaded clips.
- Mates to driver box with quick connector.
- Max Ceiling thickness 5/8".
- Approved for damp location.

#### DIMENSIONS

- Cut hole:  $\phi$ 6 1/4".
- Fixture:  $\phi$ 7 1/4" x 3"H.

#### ELECTRICAL

- 120 V Input class 2 constant current dimmable driver enclosed in junction box.
- TRIAC and ELV dimming.
- Min operating temperature (-4°F~-104°F)(-20°C~-40°C).

#### LIGHT MODULE

- 1 x 24W Integrated LED COB.
- Lumen maintenance 70% 50,000 hrs.
- CRI: 90+
- Beam angle: 38 degree.
- Kelvin (CCT): 27K | 30K | 35K | 40K | 50K
- Delivered Lumen: 1459 lm | 1609 lm | 1669 lm | 1824 lm | 1797 lm

#### CERTIFICATIONS




### ORDERING GUIDE

MODEL	FINISH
45379-024	Black
45379-017	White

### ACCESSORIES



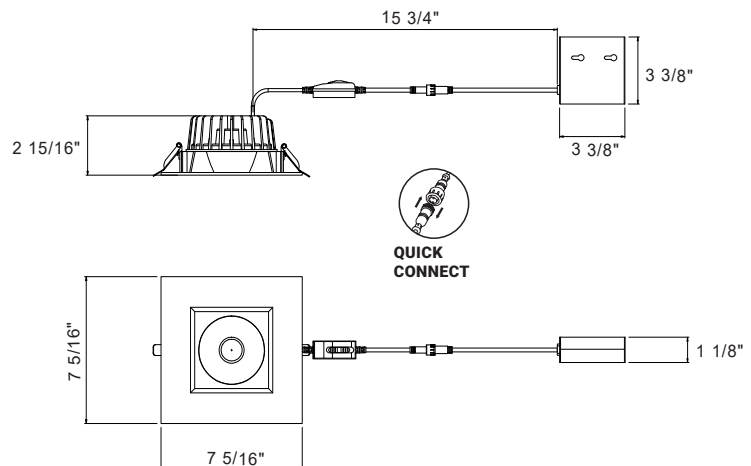
	WATTS	LUMENS	KELVIN	DIMMABLE	CRI	BEAM ANGLE	ADJUSTABLE
 $\phi$ 6 1/4"	24W	Up to 1824	CCT Selectable	TRIAC/ELV	90+	38°	NO



#### FINISHES



#### PRODUCT DIMENSIONS



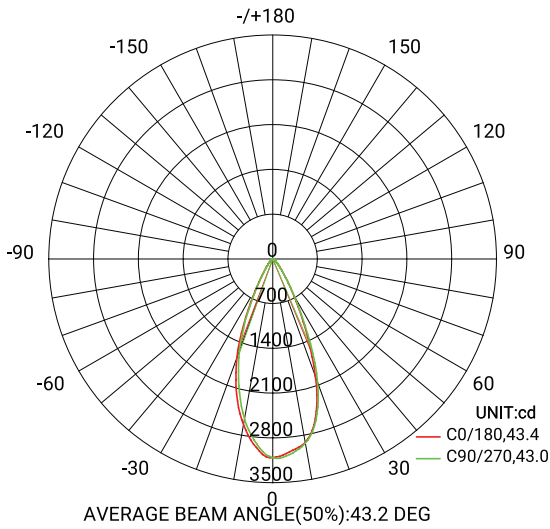


# MIDWAY

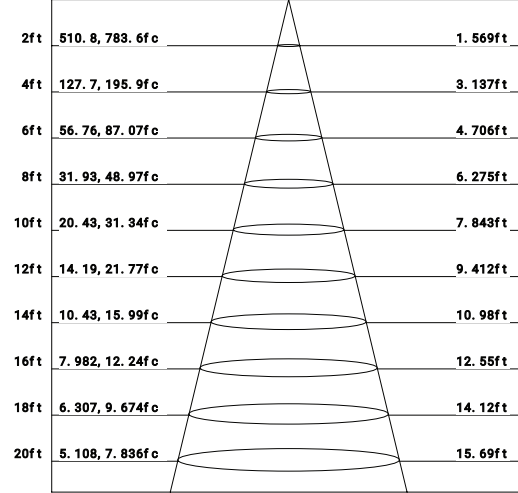
RECESSED COLLECTION



## Imperial

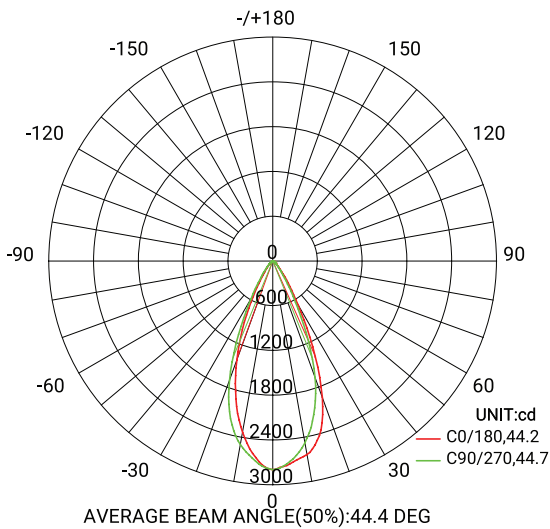


Flux out: 1048 l m

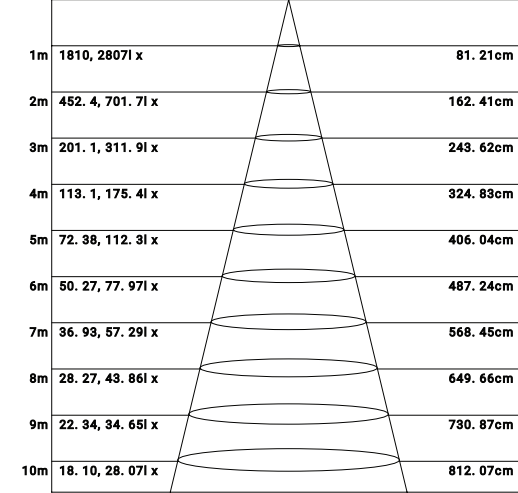


Note: The Curves indicate the illuminated area and the average illumination when the luminaire is at different distance.

## Metrics



Flux out: 1024 l m



Note: The Curves indicate the illuminated area and the average illumination when the luminaire is at different distance.