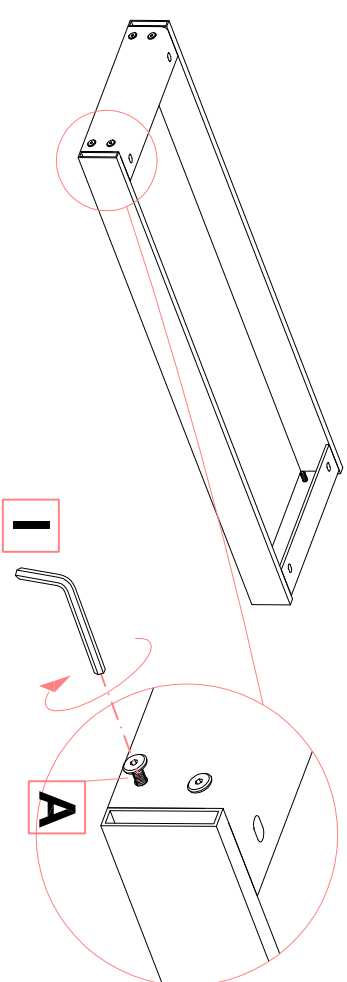
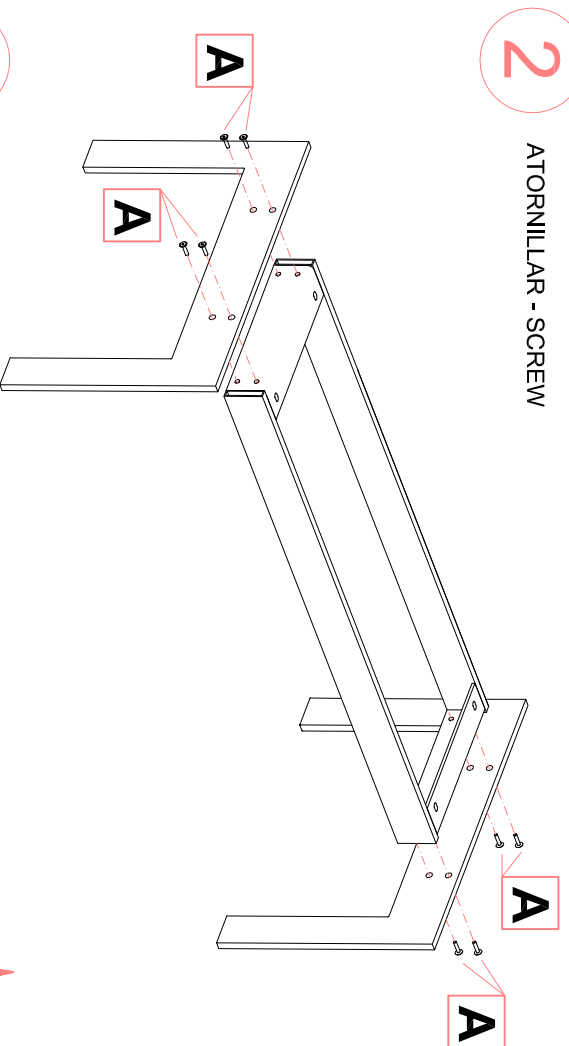


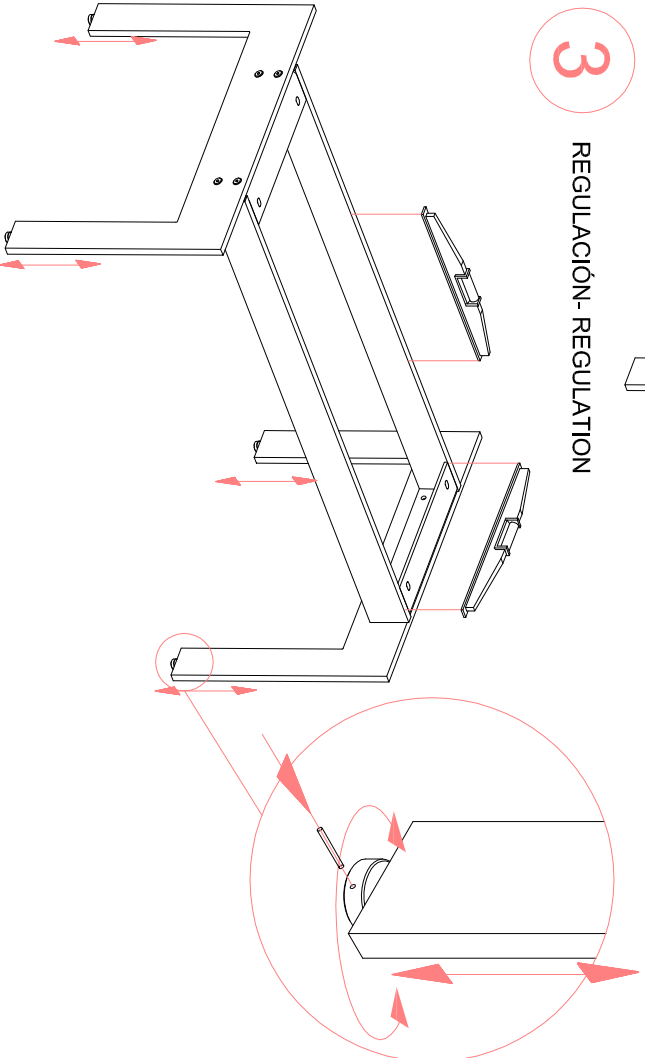
## 1 DESATORNILLAR - UNSCREW



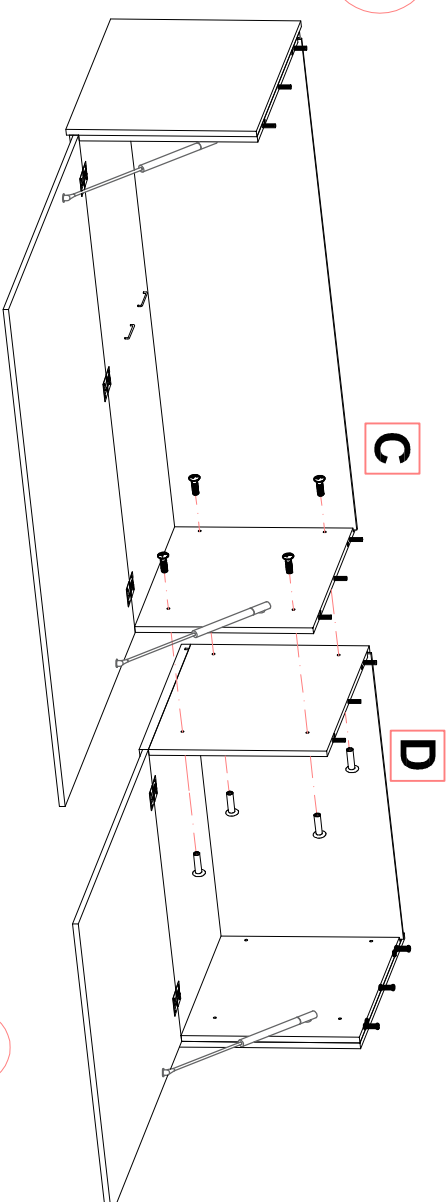
## 2 ATORNILLAR - SCREW



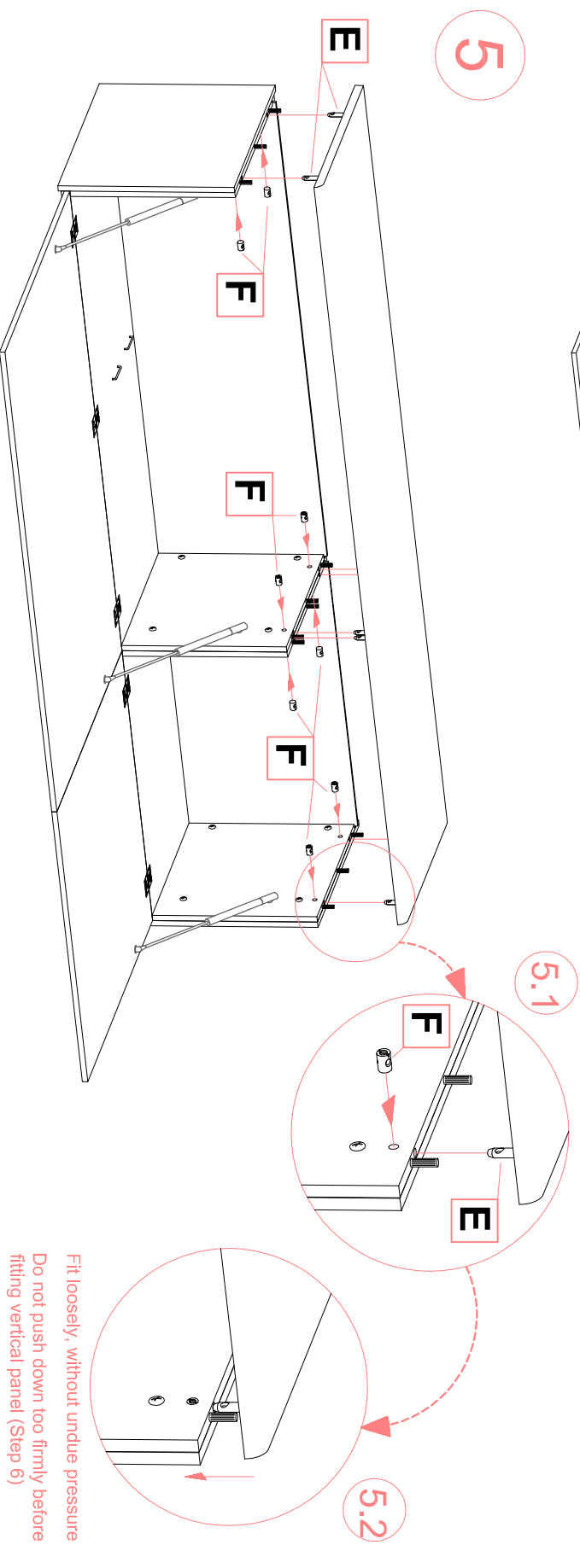
## 3 REGULACION - REGULATION



## 4

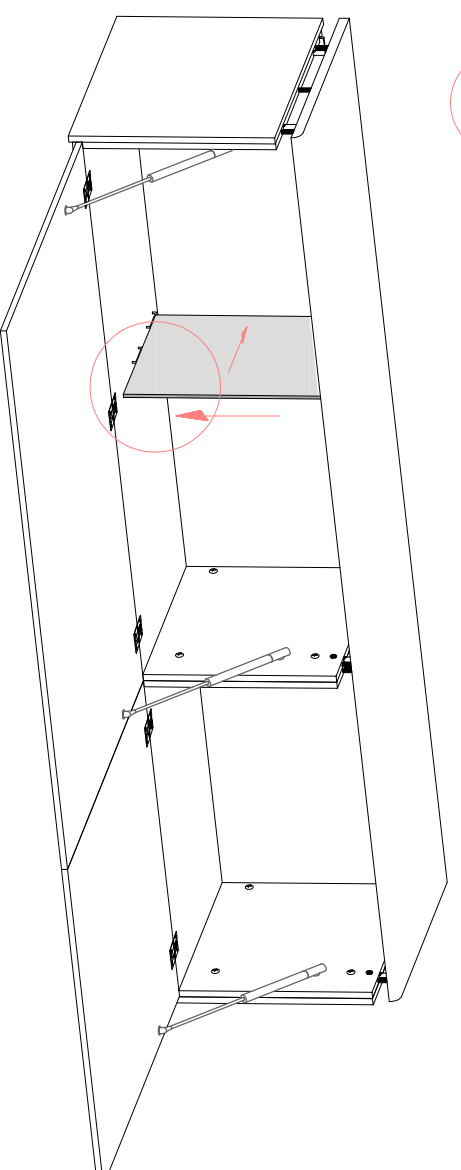


## 5



Fit loosely, without undue pressure  
Do not push down too firmly before  
fitting vertical panel (Step 6)

## 6



**A** 8 uds  
M6 x 20  
98900

**B** 4 uds  
M6 x 15  
70044

**C** 4 uds  
98.817  
M4 x 15

**D** 4 uds  
98.897

**E** 8 uds  
98825 - placa  
98825 - grafito

**F** 8 uds  
70666 - placa  
71246 - grafito

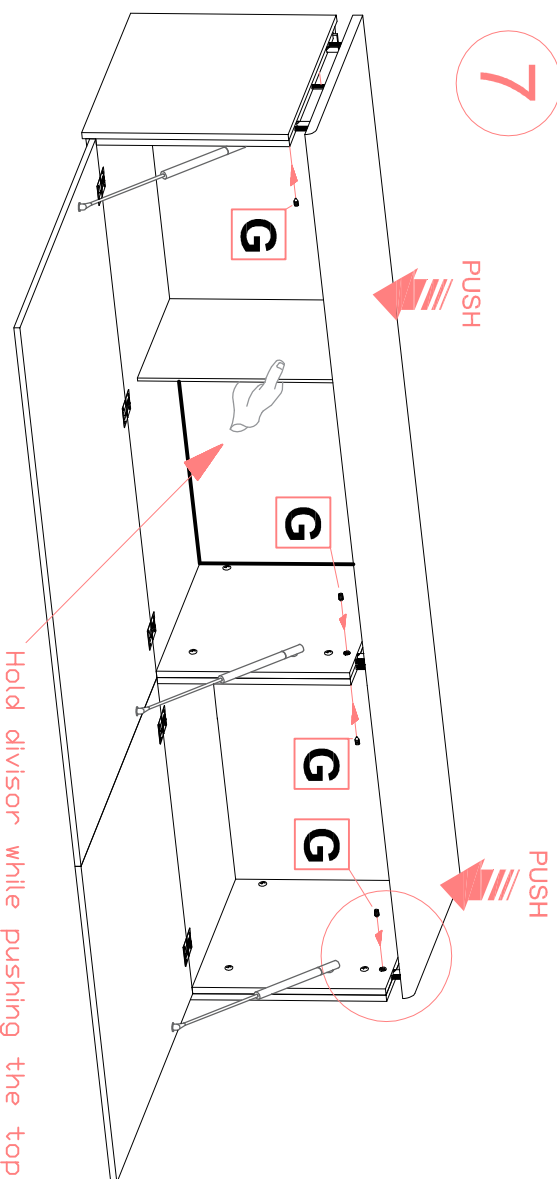
**G<sub>a</sub>** 8 uds  
M6x8 - placa  
98186

**G<sub>b</sub>** 8 uds  
M6x6 - grafito  
71250

**H** 3 uds  
Nº3

**I** 4 uds  
Nº4  
98599

**7**

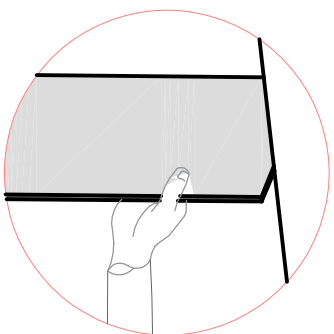


PUSH

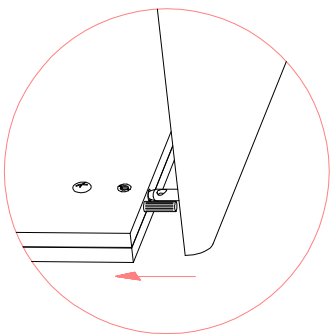
PUSH

Hold divider while pushing the top

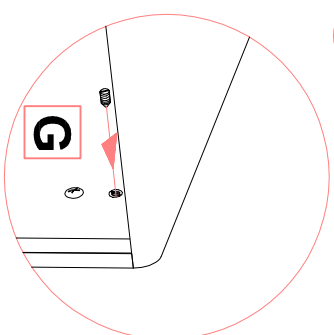
**7.1** Hold the divisors



**7.2** Push top  
Introduce completely the fitting

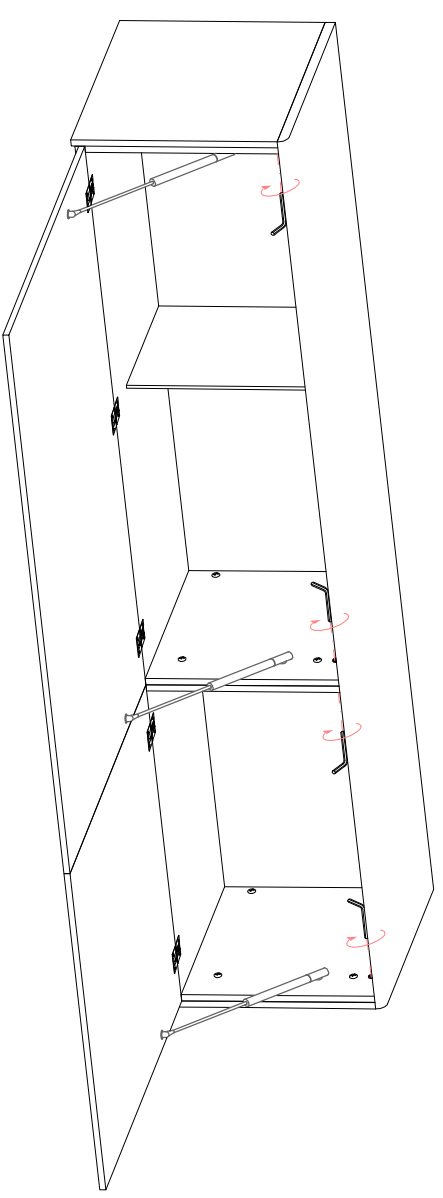


**7.3** Lock the system



**8**

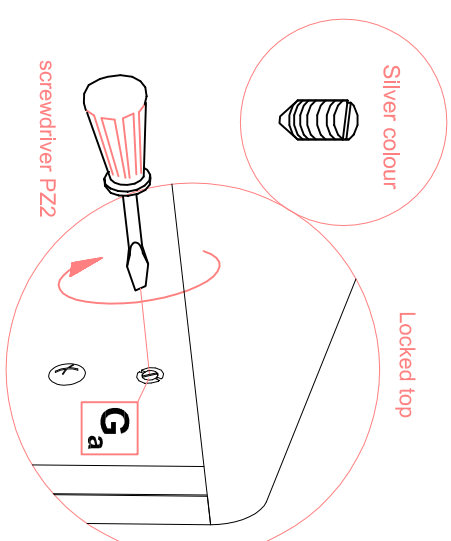
Fix locking system (2 options depending on the fitting)



Option a

Silver colour

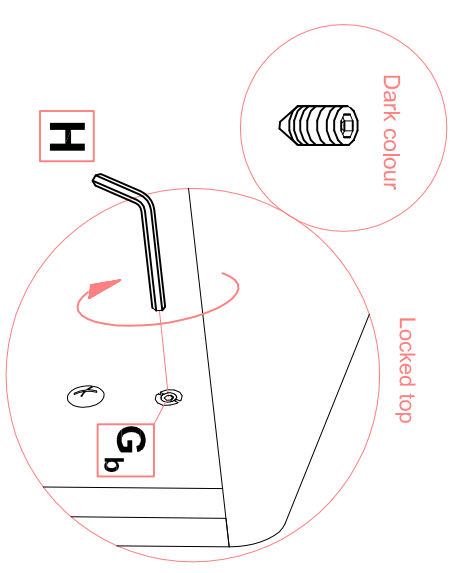
Locked top



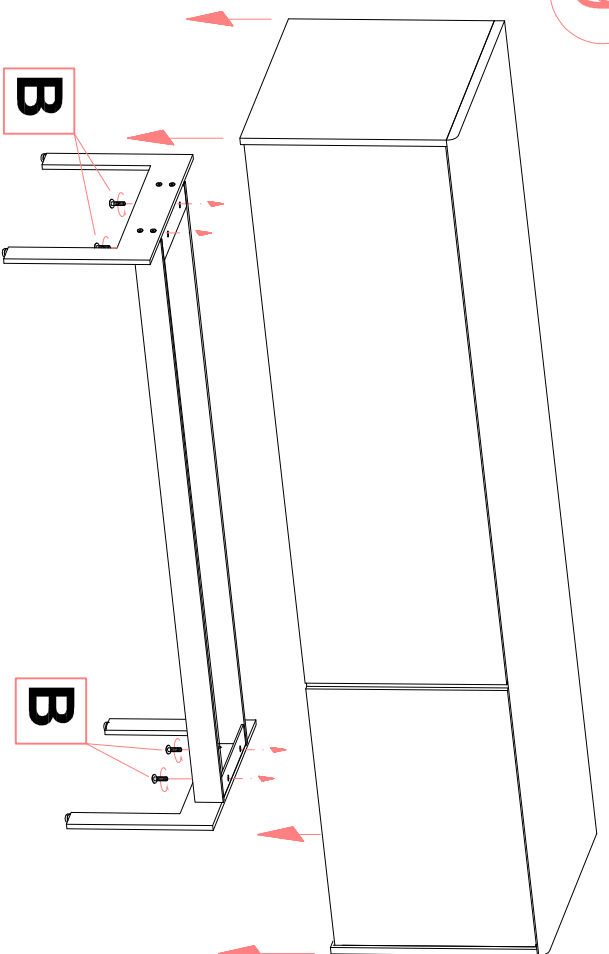
Option b

Dark colour

Locked top

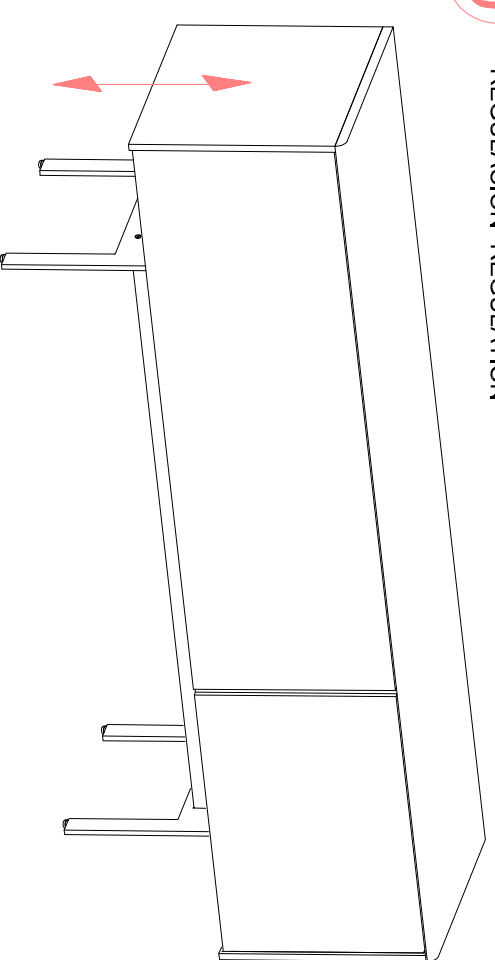


**9**



**10**

REGULACIÓN-REGULATION



**A** 8 uds  
M6 x 20  
98900

**B** 4 uds  
M6 x 15  
70044

**C** 4 uds  
98.817  
M4 x 15

**D** 4 uds  
98.897

**E** 8 uds  
98825 - plata  
98825 - graffio

**F** 8 uds  
70666 - plata  
71246 - graffio

**G<sub>a</sub>** 8 uds  
M6x8 - plata  
98186

**G<sub>b</sub>** 8 uds  
M6x6 - graffio  
71250

**H** N°3  
-1uds

**I** N°4  
98599 -1uds