

MYRIAD

Installation Guide

- Certified electrician recommended for electrical installation.
- Minimum 2 people recommended for installation.
- Terminal Block not included. Installation may require advice from a qualified person.
- The light source contained in this luminaire shall only be replaced by the manufacturer or his service agent or a similar qualified person. Contact manufacturer for service.
- Structural blocking required at monopoint support locations, adequate drywall plugs may be substituted.
- For all LED fixtures, use only with class 2 power unit.

***IMPORTANT: Please provide email confirmation that your order and its related components have been received in their entirety and in good condition. Failure to do so within 7 days of delivery will waive all product warranties.**

GABRIEL SCOTT

EST 2012



Provided Supplies:

- Myriad Fixture
- Myriad Glass Volumes
- Hanging Template
- Male monopoints
- Universal T-bar
- Installation Screws
- LED Driver
- Spare LED chip

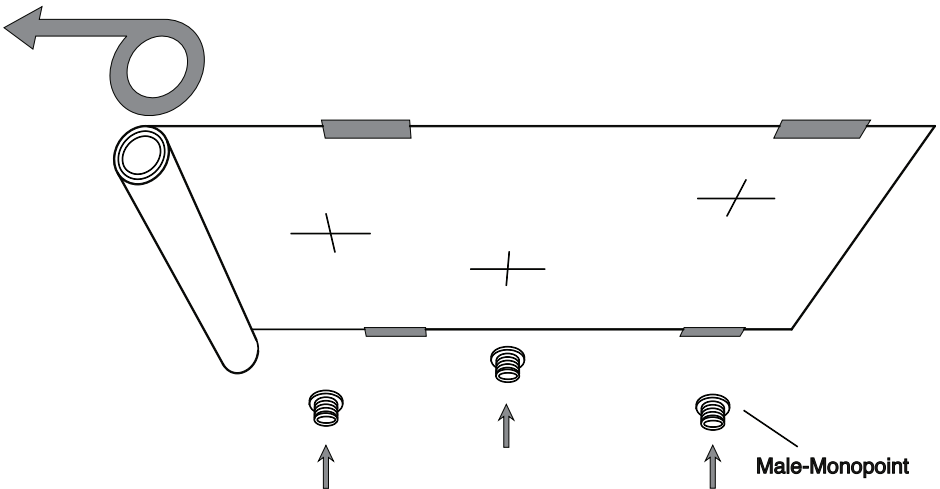
Required Tools:

- Screwdriver
- Allen key
- Drywall anchor suitable for 25lbs. on ceiling mount
- 4x 2-pole Wiring Terminals, screw or screwless, 12-18AWG (1.0-2.5mm²), rated for 600V, 15A - EX: WAGO 222-412
- Requires LED driver; Input: Local Line Voltage, Output 12Vdc SELV, 5A, Max 60 Watt, Class 2 LED Driver.

STEP
1

Tape provided 1:1 printed template to ceiling at desired location and install all male monopoints at the crosses indicated on the template.

Note: Each anchor point should be capable of supporting 25 lbs and therefore adequate blocking or toggle bolts are required for proper support at the location of each male monopoint.

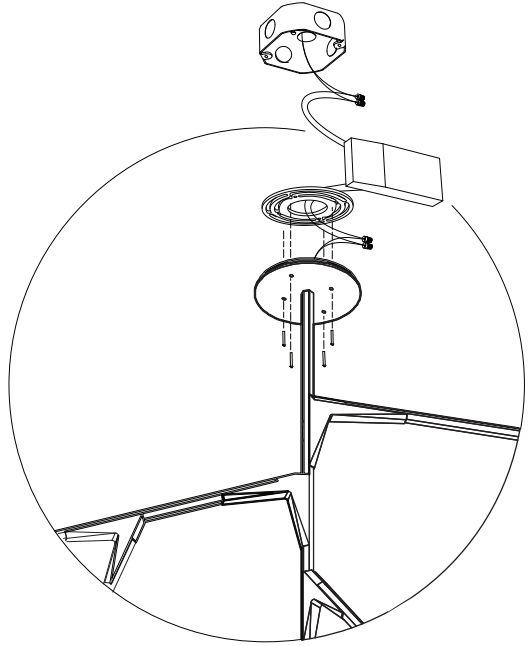


**STEP
2**

Shut-down associated electrical breaker and wire LED driver to power source. Then secure driver in junction box using provided universal T-bar. Using wire terminals connect the LED driver to the Myriad fixture, on Gabriel-Scott fixtures the black wire(+) is positive and the white wire(-) is neutral. Finally, attach the universal T-bar and screw in the canopy with the provided screws.

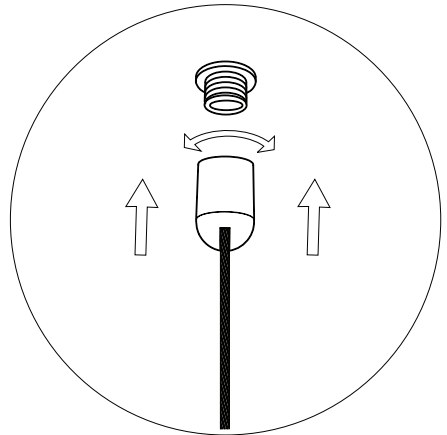
Note:

For longer Myriad fixtures that come with the stem in two pieces, attach the pieces together using the supplies nipple before hanging the fixture.



**STEP
3**

Secure the rest of the fixture by attaching the female-monopoints to the male-monopoints that have previously been installed on the ceiling in the correct locations.



Note:

Myriad Tall, Short 7, Single Pendant and Double Pendant do not use monopoints.

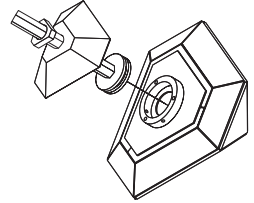
STEP
4

Myriad Glass volume installation guide:

Make sure to pair the matching Myriad Glass volume labels to the corresponding tags found on the fixture.

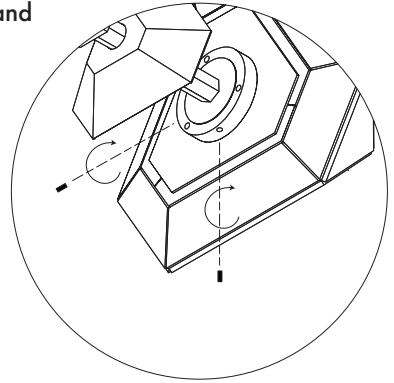
STEP
5

Slide the glass volume over the LED body.



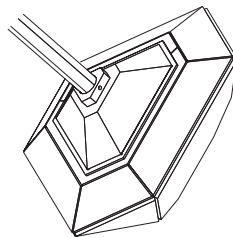
STEP
6

Tighten the two set screws on the Myriad Glass volume so that the set screws land in the slots on the LED body.



STEP
7

Remove the protective mesh holding the cap and collar and slide them carefully down against the Myriad Glass volume assembly. Tighten the set screw on the collar.



e: info@GabrielScott.com

t: (646) 783-3770