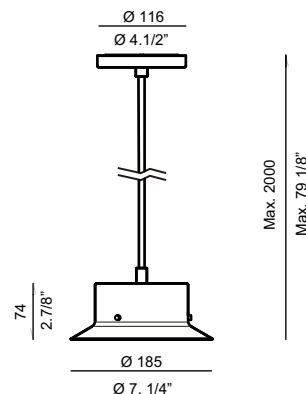


MAINE

T-3415 LED USA 493034152

Lámpara de techo metálica suspendida de un cable textil. Luz directa. Difusor de metacrilato en parte inferior. Altura regulable.

Metallic pendant providing direct light. Bottom methacrylate diffuser. Textile electrical cable. Adjustable height.



**UL 1598 ELECTRICAL INSTRUCTIONS FOR FLUSHMOUNTS, WALL SCONCES AND PENDANTS**

SAVE THESE INSTRUCTIONS. MIN 90C SUPPLY CONDUCTORS. CAUTION-RISK OF FIRE. USE STATED WATT OR SMALLER. CAUTION-RISK OF SHOCK. DISCONNECT POWER BEFORE SERVICING. TO REDUCE THE RISK OF A BURN DURING RELAMPING, ALLOW THE BULB TO COOL DOWN. SUITABLE FOR DRY LOCATIONS ONLY. THIS PRODUCT MUST BE INSTALLED IN ACCORDANCE WITH THE APPLICABLE INSTALLATION CODE BY A PERSON FAMILIAR WITH THE CONSTRUCTION AND OPERATION OF THE PRODUCT AND THE HAZARD INVOLVED.

**WARNING:** ALL WIRES AND WIRE NUTS USED IN THE INSTALLATION MUST BE RATED 195F (90°C). FOR INDOOR USE ONLY. THESE PRODUCT MUST BE INSTALLED BY A QUALIFIED ELECTRICIAN.

**Atención: / Warning:**

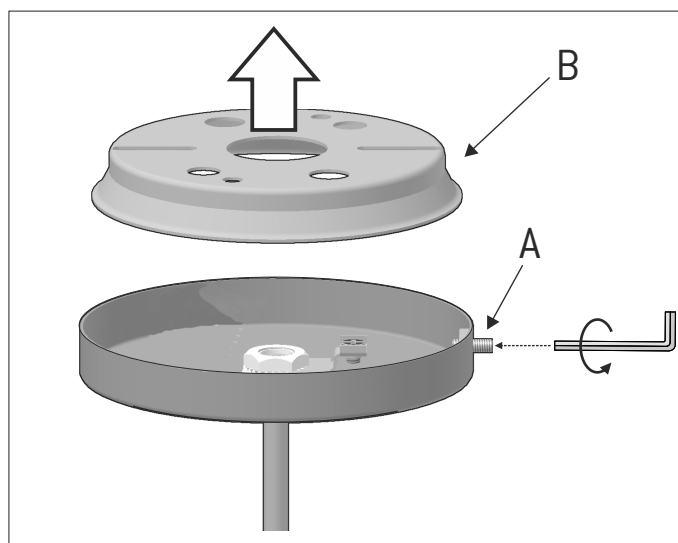
No mirar directamente a los LED.  
Do not look directly into any LED source  
Bitte nicht direkt in die LED schauen  
Ne regardez jamais les ampoules LED directement

**Instrucciones / Assembly instructions**

1- Desenroscar el espárrago allen (A). Liberar la sujeción (B). Figura 1.

1- *Untighten the allen screw (A). Remove the mounting bracket (B). Figure 1.*

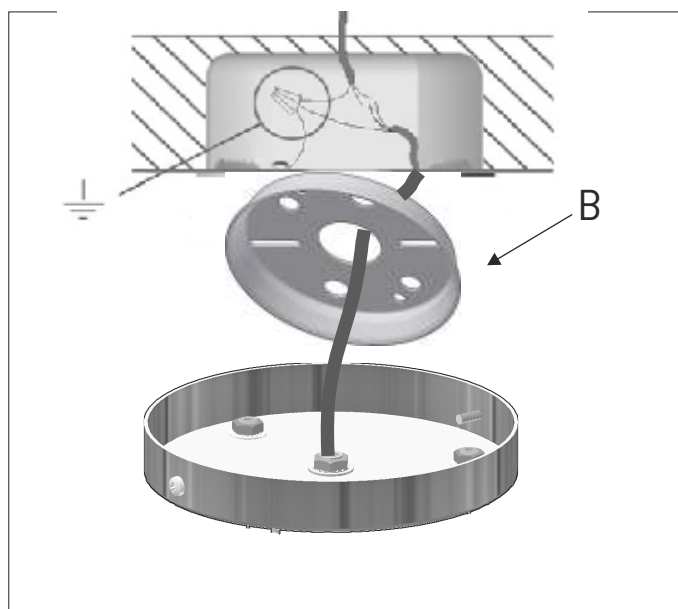
1



2- Introducir los cables de red por el orificio previsto. Realizar las conexiones eléctricas asegurándose de conectar el cable tierra en el lugar correspondiente.. Figura 2.

2- *Insert the electrical wires through the central hole. Connect the electrical wires making sure to have connected the ground wire correctly. Figure 2.*

2

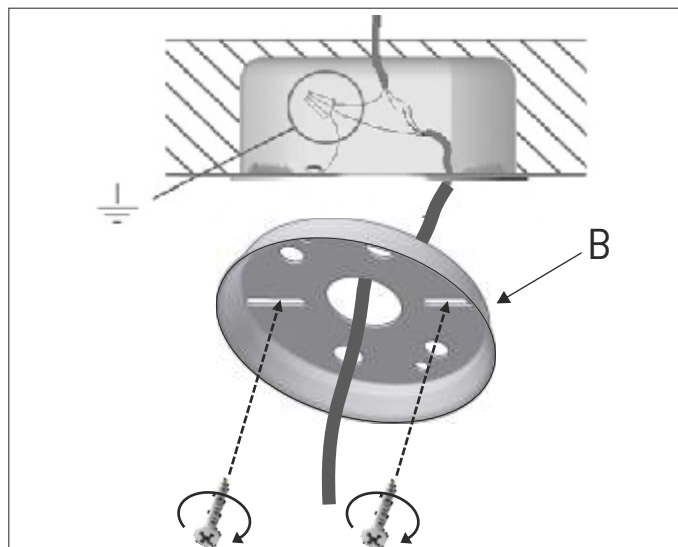


## Instrucciones / Assembly instructions

3- Atornillar la sujeción (B) . Figura 3.

3- Affix the mounting bracket (B). Figure 3.

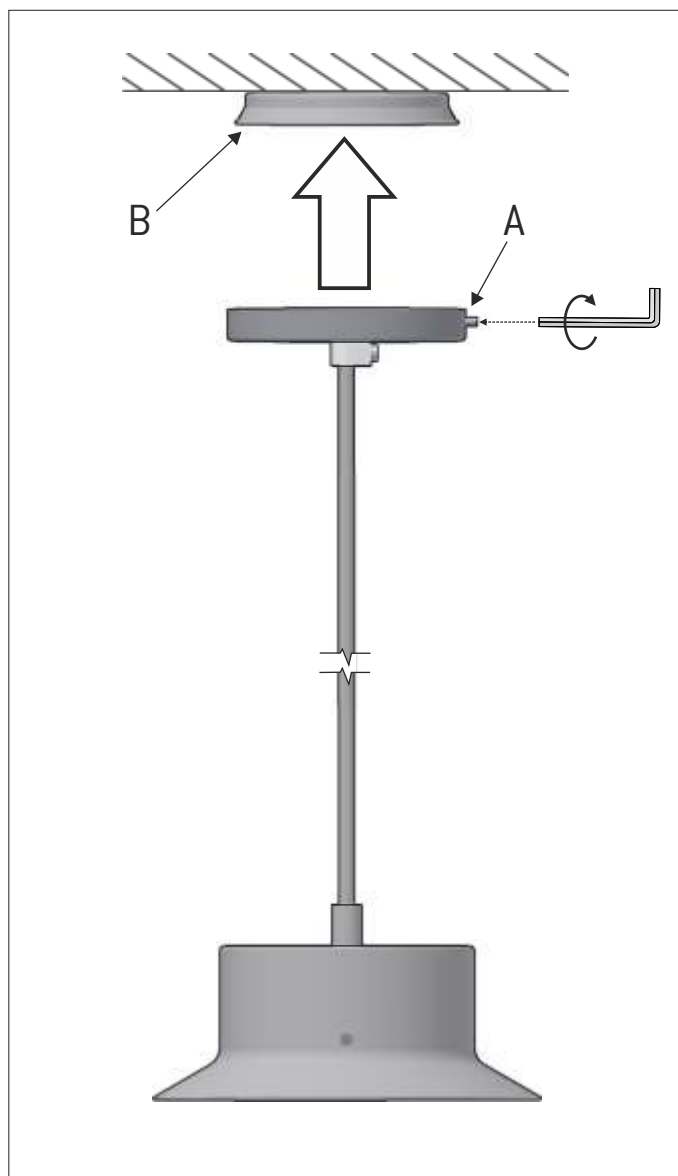
# 3



4- Acoplar la lampara a la sujeción (B). Enroscar el esparrago allen (A) desenroscado previamente. Figura 4.

4- Attach the fixture to the mounting bracket (B). Tighten the allen screw (A) removed previously. Figure 4.

# 4



## Instrucciones / Assembly instructions

5- Para regular la altura, desenroscar el tornillo [D] y ajustar el cable. Una vez conseguida la longitud deseada, fijar la lámpara enroscando de nuevo el tornillo [D]. Figura 5.

5- To adjust the height, untighten the screw [D] and adjust the cable. Once you have the desired level, set the height by tightening again the screw [D]. Figure 5.

