

MAINE

t-3410 LED USA
 t-3411 LED USA
 t-3411 / t-3411 BF USA

493034102

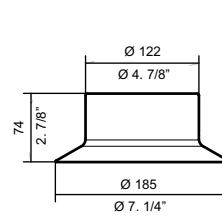
Plafón metálico. Luz directa. Difusor de metacrilato en parte inferior.

Metallic flush mount providing direct light. Bottom methacrylate diffuser.

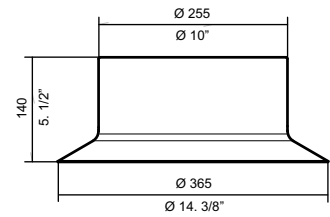


960°

IP
20



t-3410



T-3411



UL 1598 ELECTRICAL INSTRUCTIONS FOR FLUSHMOUNTS, WALL SCONCES AND PENDANTS

SAVE THESE INSTRUCTIONS. MIN 90C SUPPLY CONDUCTORS. CAUTION-RISK OF FIRE. USE STATED WATT OR SMALLER. CAUTION-RISK OF SHOCK. DISCONNECT POWER BEFORE SERVICING. TO REDUCE THE RISK OF A BURN DURING RELAMPING, ALLOW THE BULB TO COOL DOWN. SUITABLE FOR DRY LOCATIONS ONLY. THIS PRODUCT MUST BE INSTALLED IN ACCORDANCE WITH THE APPLICABLE INSTALLATION CODE BY A PERSON FAMILIAR WITH THE CONSTRUCTION AND OPERATION OF THE PRODUCT AND THE HAZARD INVOLVED.

WARNING: ALL WIRES AND WIRE NUTS USED IN THE INSTALLATION MUST BE RATED 195F (90°C). FOR INDOOR USE ONLY. THIS PRODUCT MUST BE INSTALLED BY A QUALIFIED ELECTRICIAN.

Atención: / Warning:

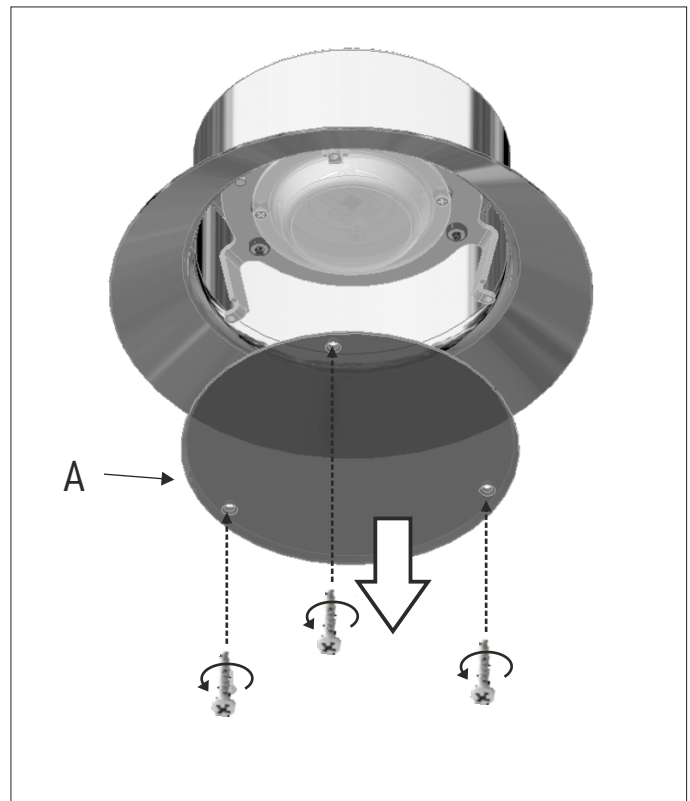
- No mirar directamente a los LED.
- Do not look directly into any LED source.
- Bitte nicht direkt in die LED schauen.
- Ne regardez jamais les ampoules LED directement.

Instrucciones / Assembly Instructions

1- Sacar el difusor de metacrilato (A) desenroscando los tornillos que lo sujetan. Figura 1.

1- Remove the methacrylate diffuser (A) by unscrewing the screws that subject it. Figure 1.

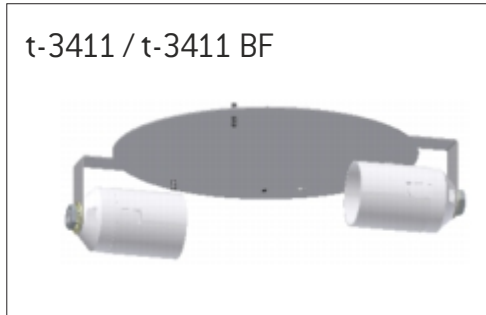
1



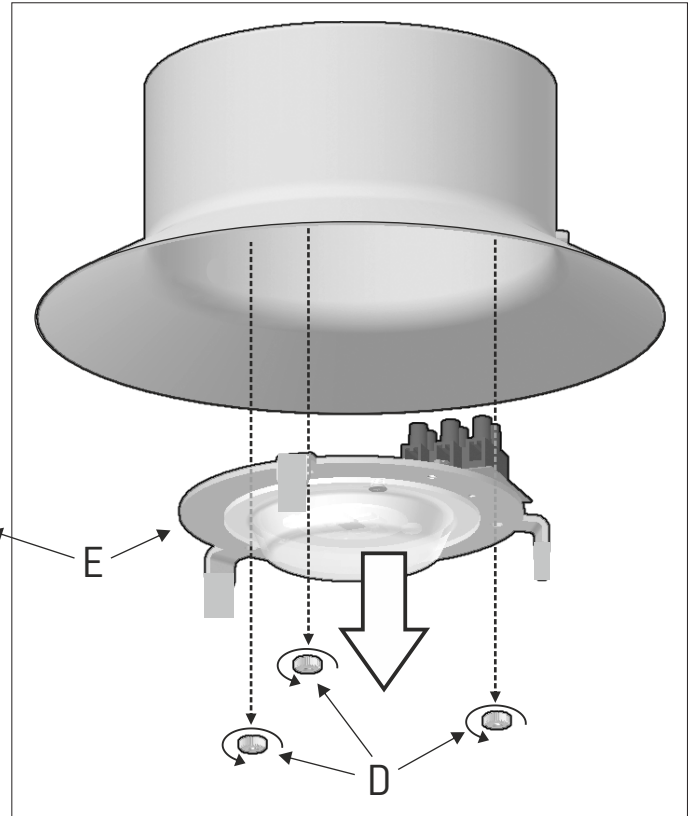
Instrucciones / Assembly Instructions

2- Desenroscar y liberar las arandelas grafiladas [D]. Liberar el conjunto LED [E]. Figura 2.

2- *Untighten and remove the knurled nuts [D]. Remove the LED-set [E]. Figure 2.*



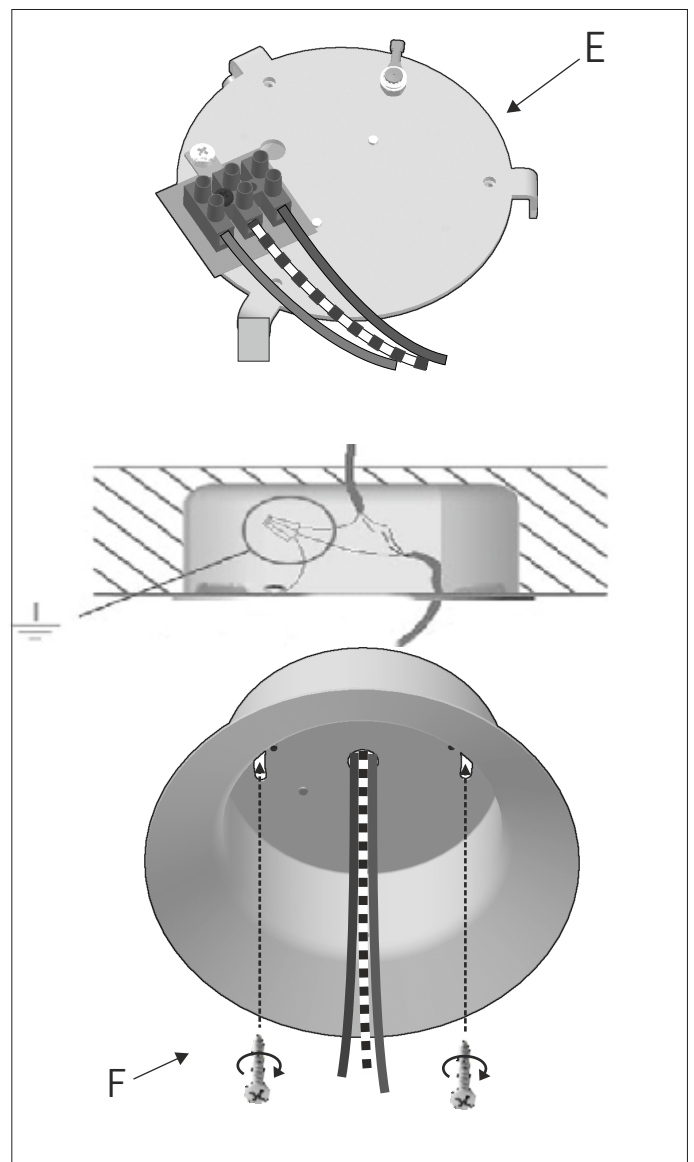
2



3- Pasar los cables de la red eléctrica hacia el interior de la lámpara. Realizar las conexiones eléctricas usando la regleta ubicada en el conjunto [E]. Asegurarse de conectar el cable de tierra en el lugar correspondiente. Atornillar la lámpara al techo o en la caja de conexiones [F]. Figura 3.

3- *Insert the electrical wires from the outlet box into the fixture. Connect the electrical wires using the wire connector [E]. Make sure the ground wire is properly connected. Affix the fixture to the ceiling or the electrical junction box [F]. Figure 3.*

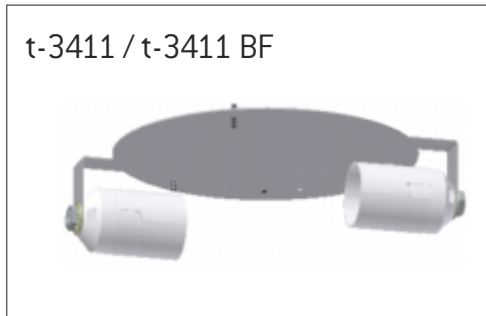
3



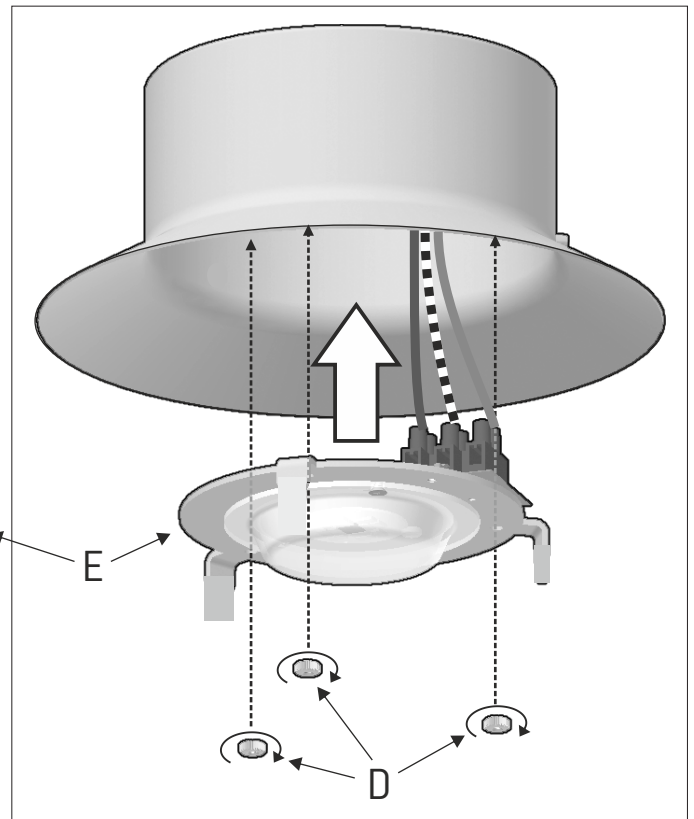
Instrucciones / Assembly Instructions

4- Colocar el conjunto LED (E) en su ubicación original y fijarlo mediante las tuercas grafiladas (D) desenroscadas previamente. Figura 4.

4- Put the LED-set (E) back in place. Fix it using the knurled nuts (D) removed previously. Figure 4.



4



5- Volver a colocar el difusor de metacrilato (A). Figura 5.

5- Place the methacrylate diffuser back (A). Figure 5.

5

