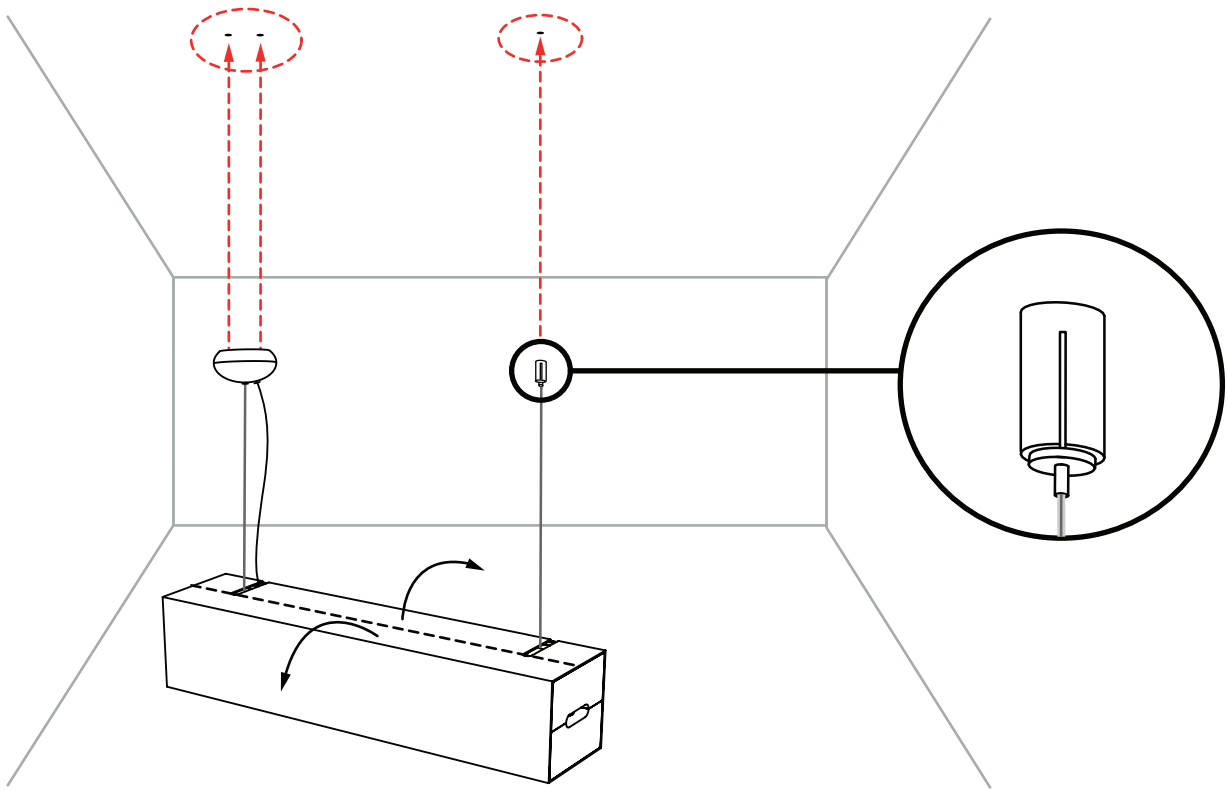
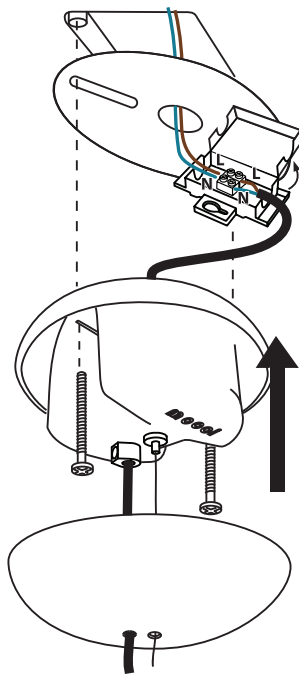


# m o o i<sup>®</sup>

## Prop Light Double Horizontal

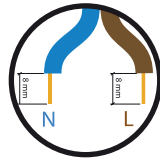


**1A**

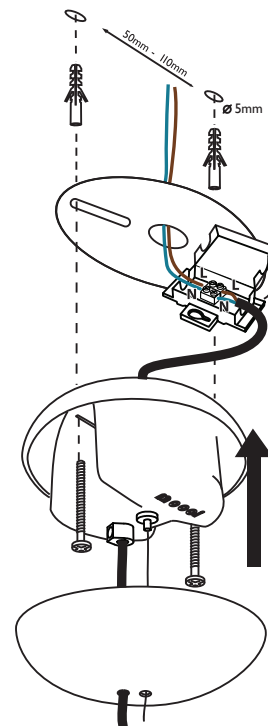
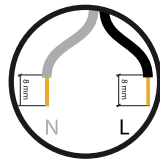


**1B**

INPUT: 240V AC



INPUT: 110V AC

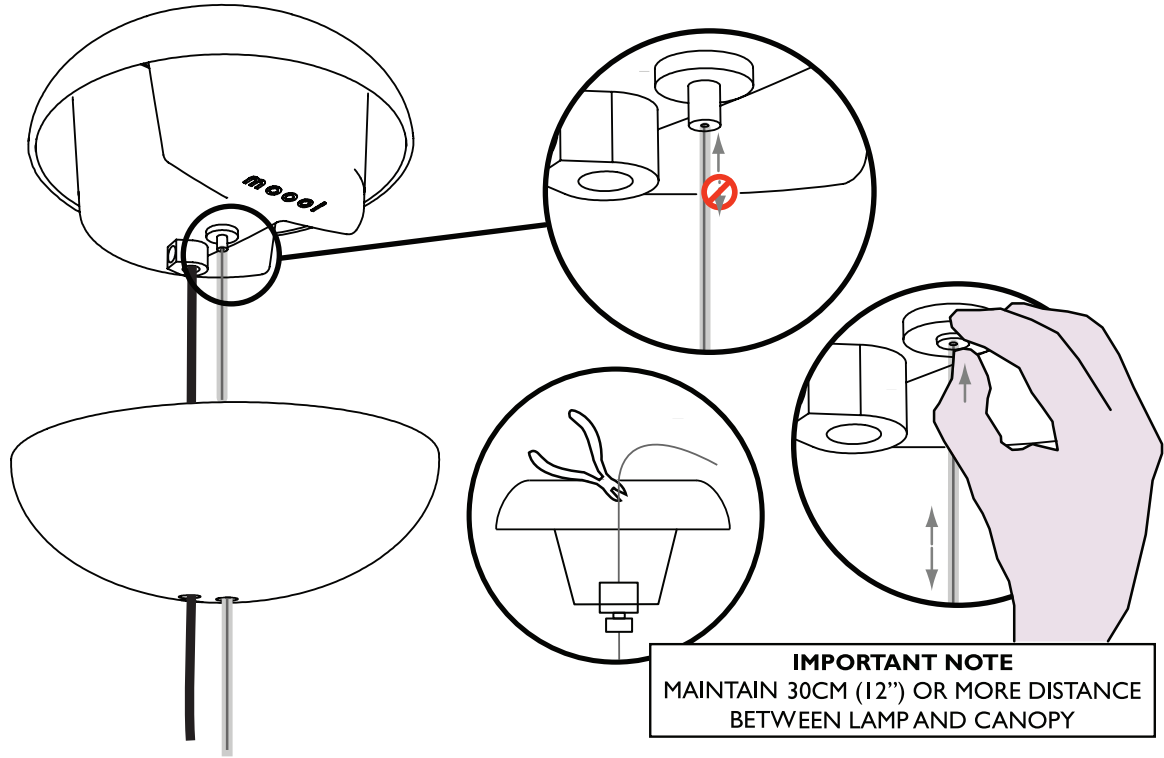


visit [www.mooui.com](http://www.mooui.com) for more information about the collection

# m o o o i

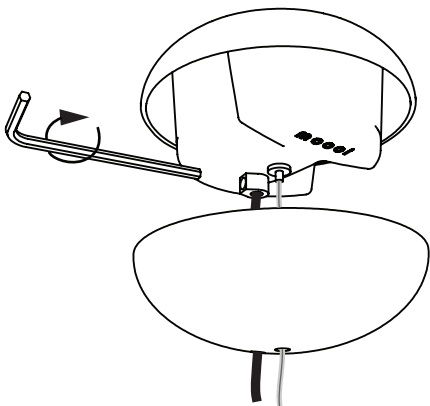
Prop Light Double Horizontal

2

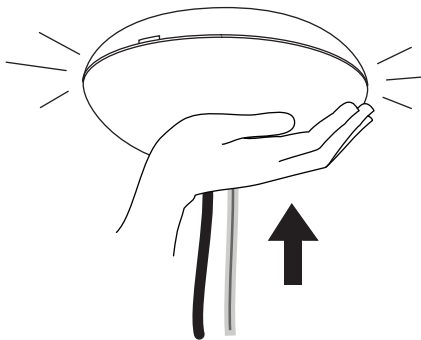


3

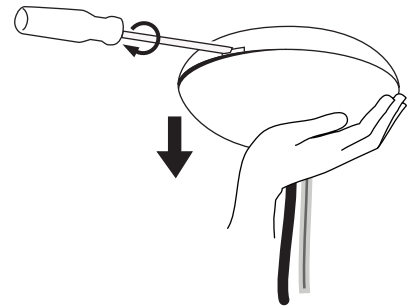
1  
SIZE 4



4



OPEN

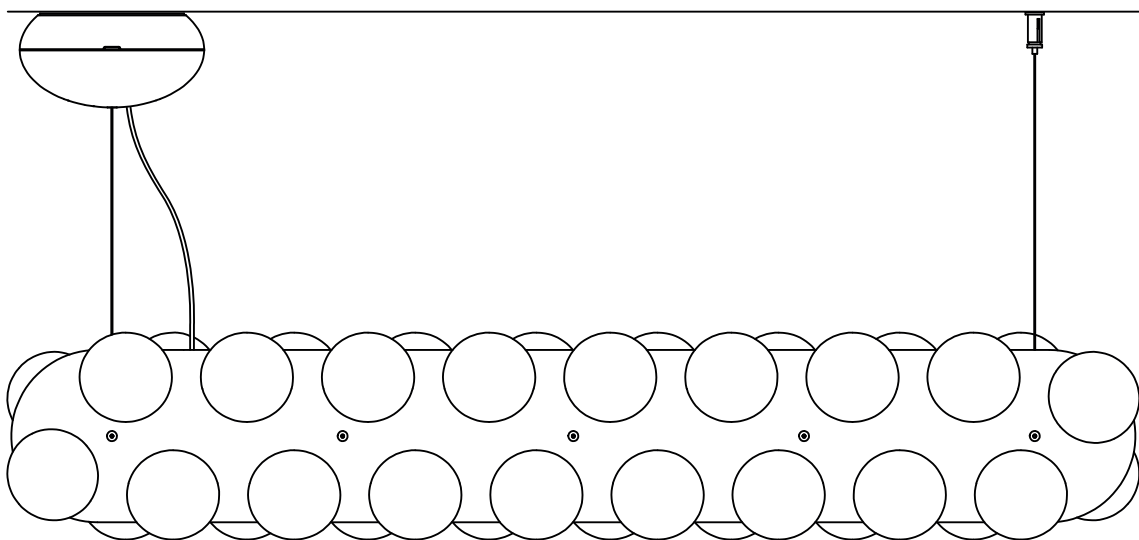
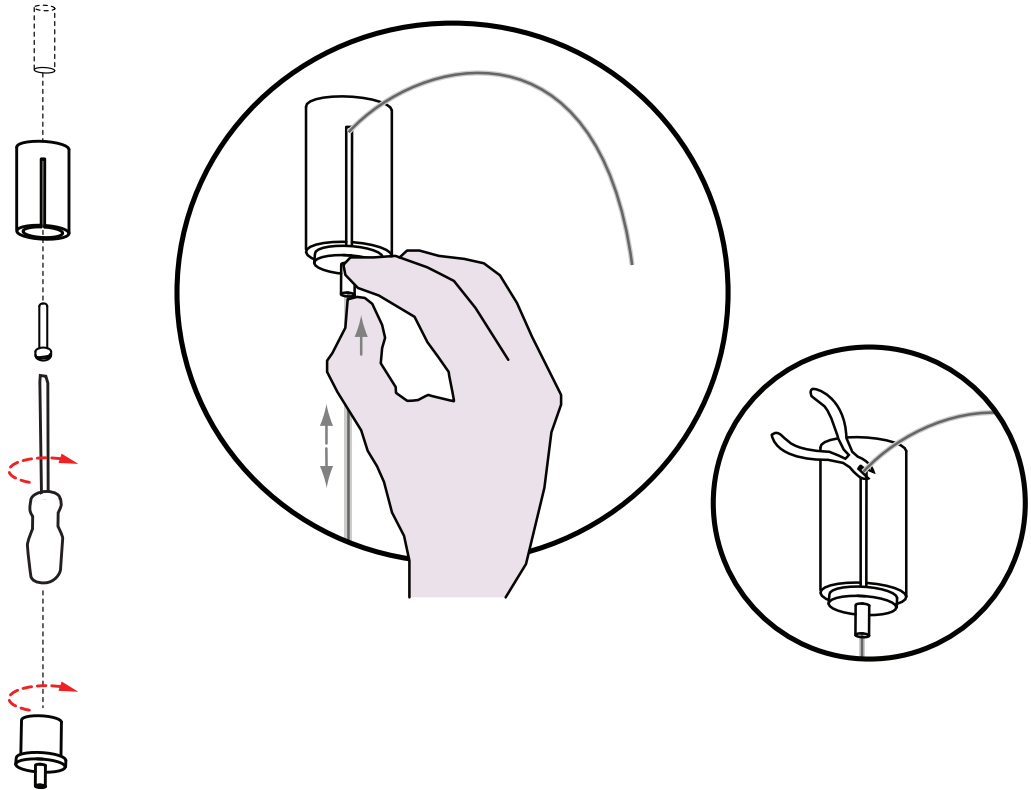


visit [www.moooli.com](http://www.moooli.com) for more information about the collection

# m o o o i

Prop Light Double Horizontal

5



visit [www.mooui.com](http://www.mooui.com) for more information about the collection