



DESCRIPTION

The Pure Smart™ Wi-Fi dimmer works with non-smart bulbs and fixtures compatible with forward phase or Triac dimming (not compatible with 0-10V Dimming). Smart Wi-Fi Dimmer also allows for scheduling, grouping, voice control and control from anywhere via the WiZ app on your mobile device or the WiZ Pro Dashboard on your desktop.

OPERATION*

Features an ON/OFF switch and dimming functionality activated with a long press of the On (Brightness Up) or Off (Brightness Down) button. 400W Maximum Incandescent load, 150W CFL and/or retrofit LED bulb. Minimum trim and fade in/out settings are adjusted in the WiZ App. Communicates over 2.4 GHz Wi-Fi only. If remote power is being used, this dimmer is only compatible with PureEdge Universal Power Supplies. No Hub Required.

*When dimming traditional CFL/LEDs, ensure they are marked as dimmable.

BODY

Durable polycarbonate body. Compatible with decorator style wall plate (Not Included)

EASY INSTALLATION

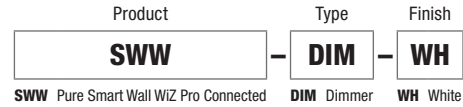
The Pure Smart™ Wi-Fi Dimmer installs just like a regular in-wall switch. Works with any non-smart Static CCT or Warm Dim bulb/fixture compatible with forward phase or Triac dimming. Can be used in 3-way applications (Reference Manual for Wiring Diagram). Compatible with standard gangable boxes. Requires neutral wire. No Hub Required.

WiZ APP

The Pure Smart™ Dimmer can be controlled via the WiZ app (works with iOS and Android) from anywhere. Voice control enabled when used in conjunction with Google Assistant, Siri, Alexa, IFTTT, and SmartThings. Grouping, zoning, and scheduling can all be programmed with the WiZ app or WiZ Pro Dashboard.

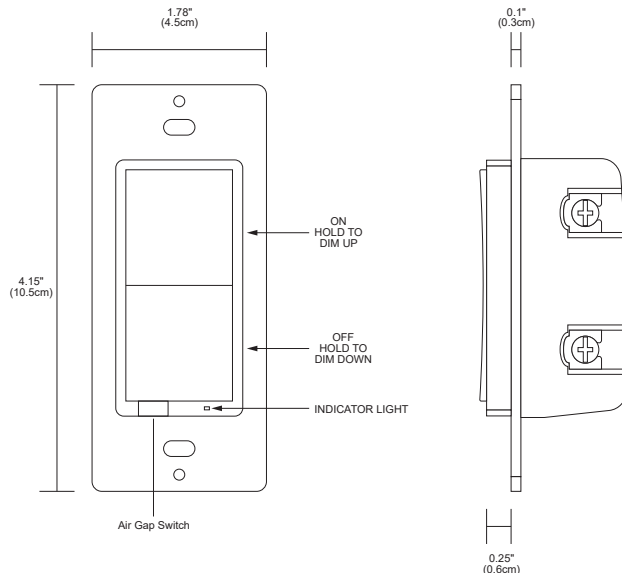
SECURITY

3rd party log-in and cloud security provide a safe and protected connection. WiZ does not store nor share any personal information.



SPECIFICATIONS

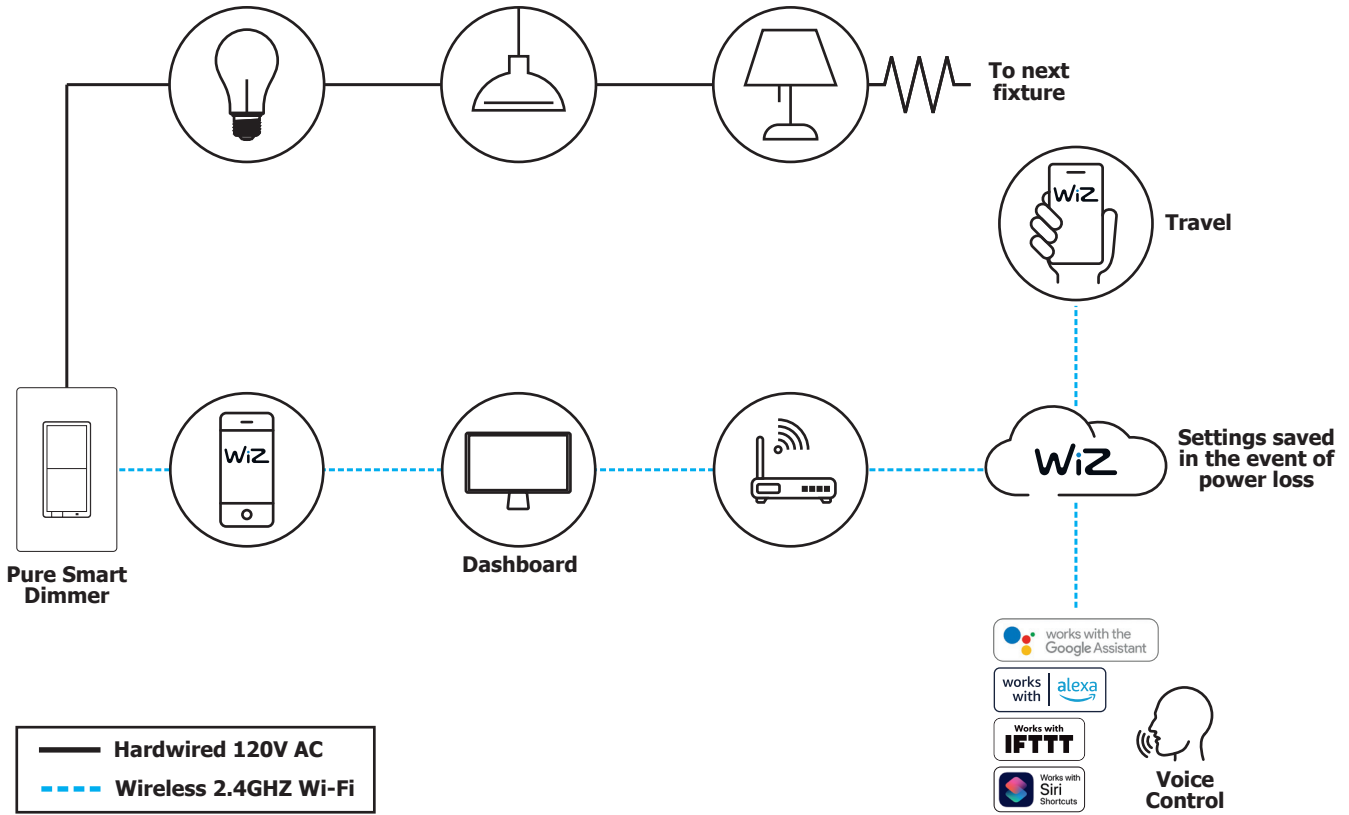
Approved Location	Dry / Indoor
Input Voltage	120Vac - 60 Hz
Certification	cULus, FCC
Compatible Load(s)	Any non-smart bulb or fixture *Triac and Forward-Phase dimming only
Maximum Power	Incandescent: 400W Compact Fluorescent (CFL): 150W LED: 150W
Dimming	Dims to 1% with app trim setting at 30%
Operating Temperature	23°F~113°F (-5°C~45°C)
Wireless Frequency	2.4GHz
Radio Frequency	Certified IEEE 802.11, Wi-Fi 2.4Ghz radio
Wireless Standard	IEEE 802.11
Warranty	3-Year



PROJECT	FIXTURE TYPE	DATE
---------	--------------	------

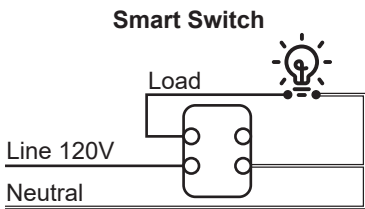
NETWORK TOPOLOGY

Traditional Non-Smart Bulbs & Fixtures

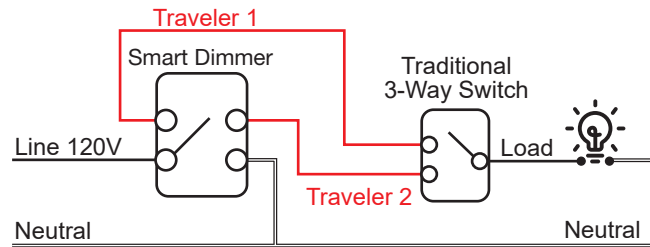


WIRING DIAGRAMS

Single-Pole Application using SWW-DIM-WH



3-Way Application using SWW-DIM-WH



PROJECT		FIXTURE TYPE		DATE	
---------	--	--------------	--	------	--