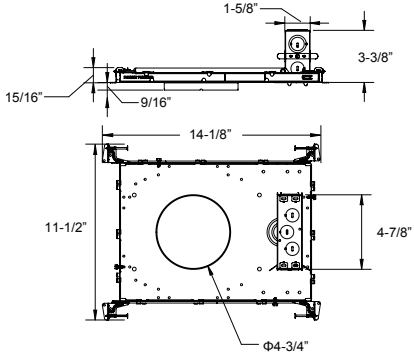
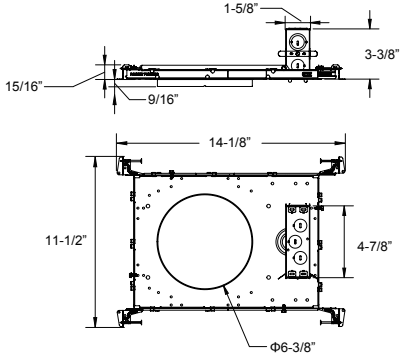
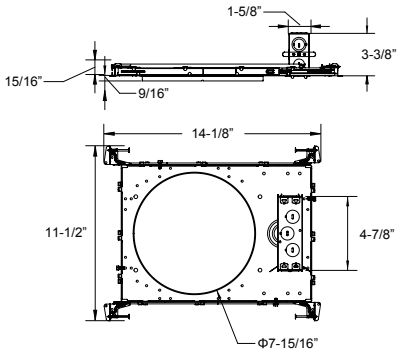
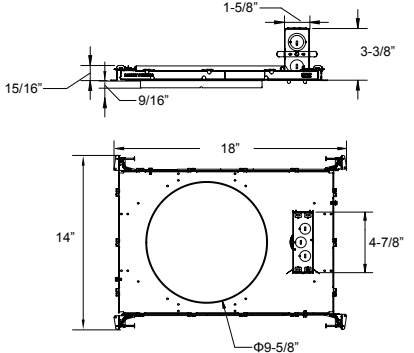


NEW CONSTRUCTION FRAME INSTALLATION GUIDE - WARNING

WARNING – Read all product labels and instructions before installing fixture.
WARNING – Wear safety gloves and other appropriate safety equipment.

Product	Model	Dimensions	Compatible Products
35121	NCFJB4		<p>4" INNOFIT</p> <p>4" SELECTFIT</p>
35122	NCFJB6		<p>6" INNOFIT</p> <p>6" SELECTFIT</p>
35123	NCFJB8		<p>8" INNOFIT</p> <p>8" SELECTFIT</p>
35124	NCFJB9.5		<p>9.5" INNOFIT</p> <p>9.5" SELECTFIT</p>

NEW CONSTRUCTION FRAME DRYWALL INSTALLATION

1. Use bar hangers to attach fixture between ceiling joists. Extend the bar hangers to fit between the joists. Line up the joist locating tab with bottom of the wood joist. Each end of the bar hanger is equipped with a pre-installed nail.

2. Adjust and center the downlight opening hole as desired, by sliding the frame along the bar hangers. Lock and secure the frame with the bar hangers by tightening the edging screws. (Fig. 1)

3. For steel studs, use self-tapping sheet metal screws in place of nails. Using a hammer, secure the bar hangers to the wood joist with the nail. Secure at all four locations. (Fig. 2)

Fig.1

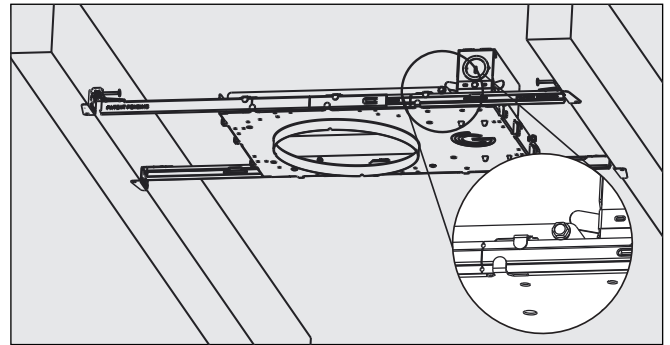
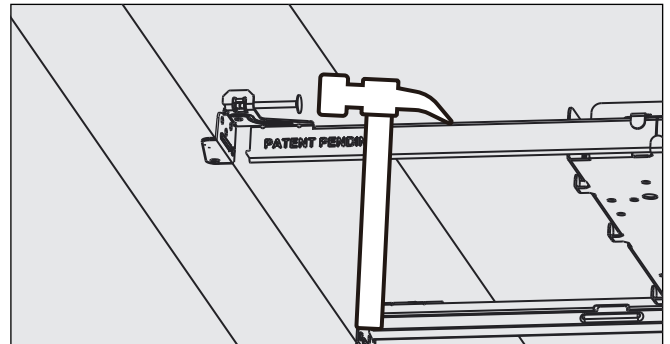


Fig.2



NEW CONSTRUCTION FRAME T-GRID INSTALLATION

1. Extend the bar hangers and secure to the ceiling T-Grid using the vertical slots at the end of each bar hanger.

2. Adjust and center the downlight opening hole as desired, by sliding the frame along the bar hangers. Lock and secure the frame with the bar hangers by tightening the edging screws. (Fig. 3)

3. If required by code, connect the bar hangers to the T-grid with self-tapping sheet metal screws. (Fig. 4)

Fig.3

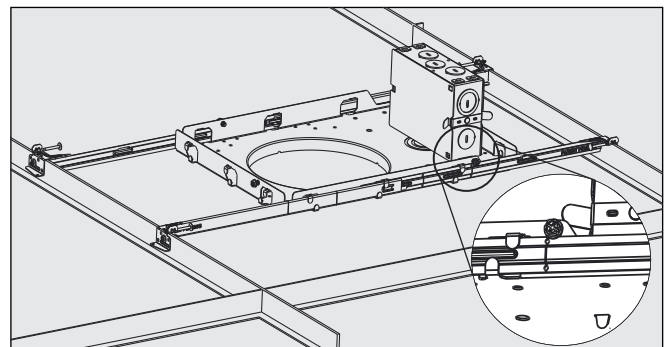
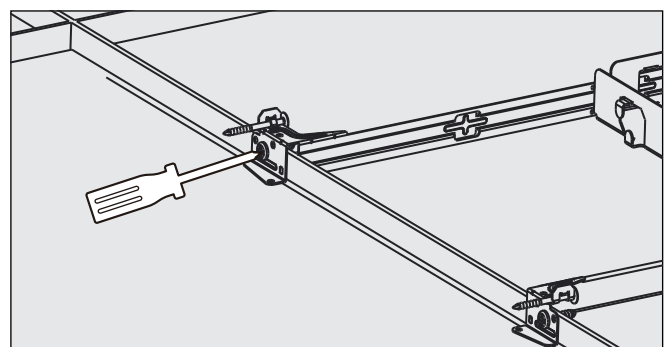


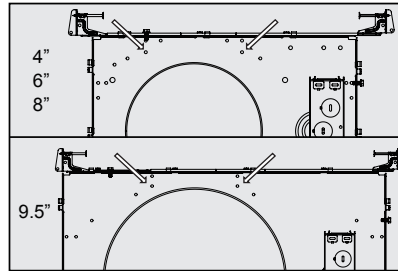
Fig.4



NEW CONSTRUCTION FRAME C-CHANNEL OR ROD INSTALLATION

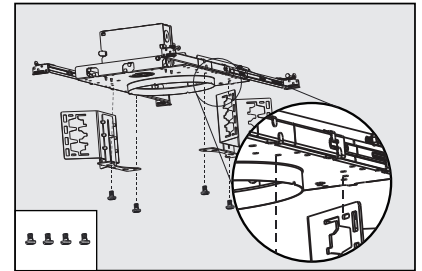
1. Locate the butterfly bracket mounting holes. (Fig. 6)

Fig.6



2. Attach the butterfly bracket to the mounting frame from below using two of the screws provided for each bracket. (Fig. 7 & Fig. 8)

Fig.7



3. Slide c-channel or rod inside bracket arms and place fixture in desired ceiling location. If necessary, loosen the wing nuts on the butterfly bracket, adjust the frame so that the round fixture collar is flush with the bottom of the ceiling and tighten the wing nuts to secure the frame in place. (Fig. 9)

Fig.8

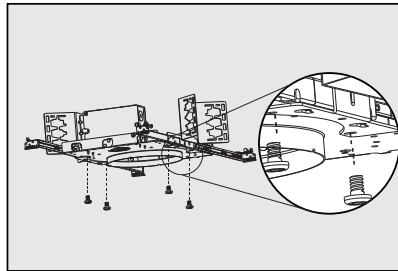
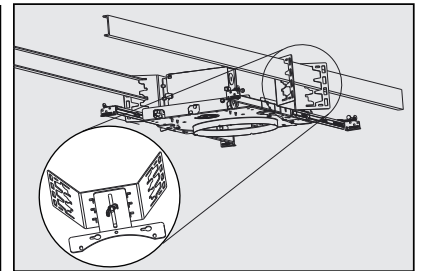


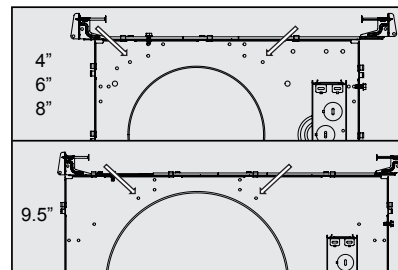
Fig.9



NEW CONSTRUCTION FRAME EMERGENCY UNIT FRAME INSTALLATION

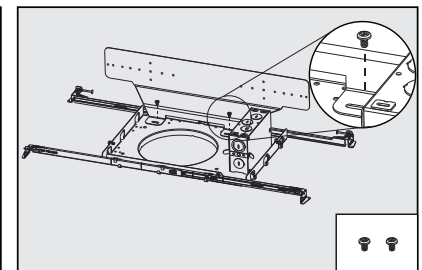
1. Locate the emergency frame installation holes. (Fig.10)

Fig.10



2. Place the frame tabs over and secure the frame from above with providing screws. (Fig. 11)

Fig.11



3. Attach the desired Emergency unit using the predrilled holes and screws. (Fig. 12 & Fig. 13 & Fig. 14)

Fig.12

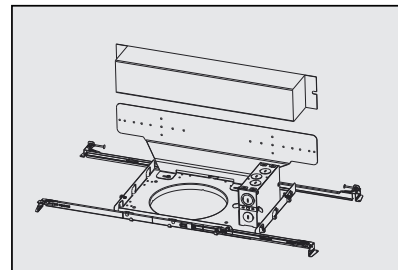
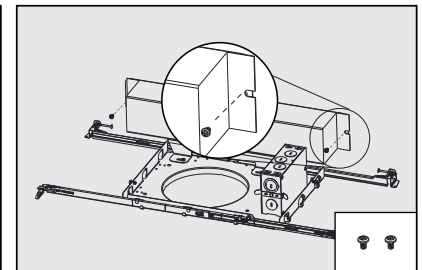


Fig.13



4. Follow the wiring instructions provided with the fixture and Emergency unit to complete the installation.

Fig.14

