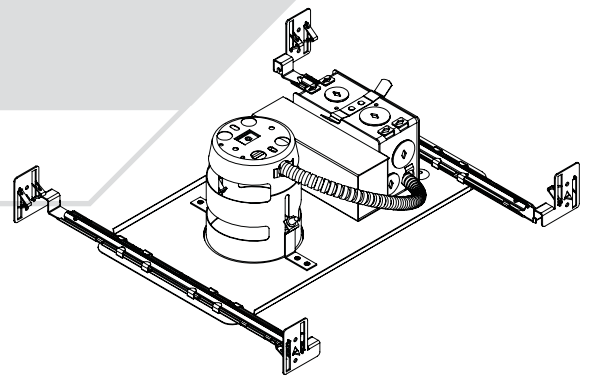


INSTALLATION INSTRUCTIONS

New Construction LED Housing - 200 and 300 Series

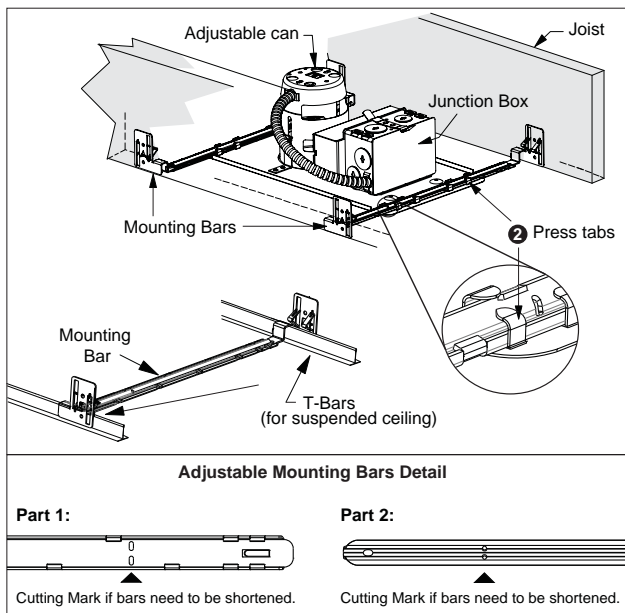
DO NOT INSTALL IN INSULATION - SUITABLE FOR DAMP LOCATION

NWLD200LE1 - NWLD200LE2 - NWLD300LE1 - NWLD300LE2 - NWLD200LD1 - NWLD200LD2 - NWLD200LD3
 NWLD300LD1 - NWLD300LD2 - NWLD300LD3 - NWLD200LA1 - NWLD200LA2 - NWLD200LA3 - NWLD300LA1
 NWLD300LA2 - NWLD300LA3

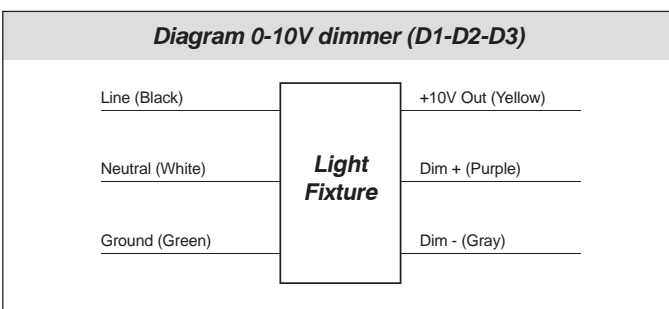
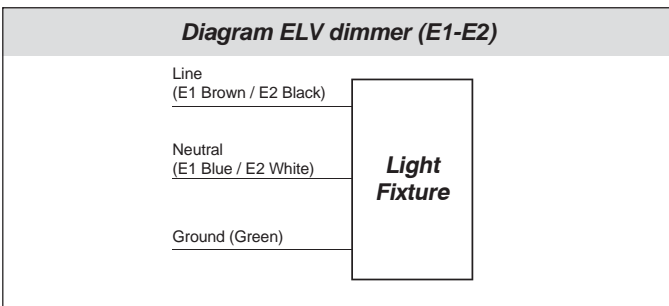


1. SHUT OFF ELECTRICAL SUPPLY AT SOURCE.

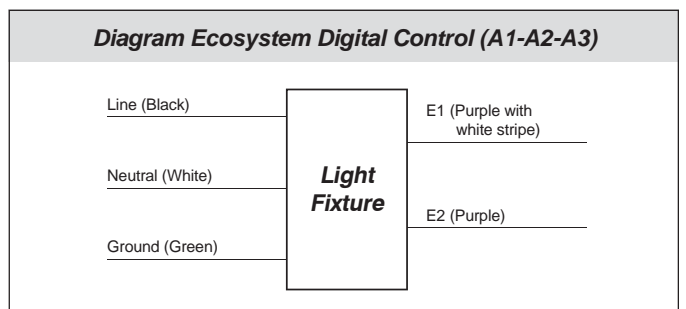
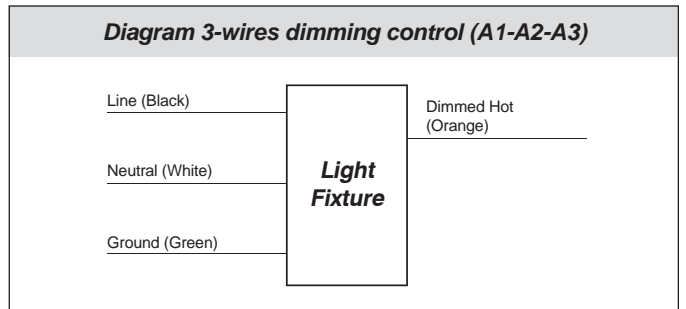
2. Locate position of mounting frame and install before the gypsum board. Fasten the mounting frame to the wood joist (or other ceiling type) with the adjustable mounting bars (10" to 24,5"). To shorten the bars to 10", remove bars and cut off at the notch (See adjustable mounting bars detail view).
3. Once the correct bar length is known, fold down and press tabs to lock the plate to the mounting bars.



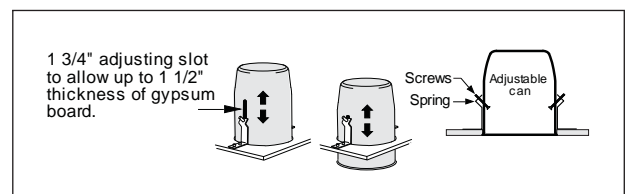
4. Bring the electrical wiring to the housing junction box as per applicable local electrical codes.
5. Open the junction box. Connect the wires based on diagrams below. Close the junction box.



Please keep these installation instructions for future maintenance.



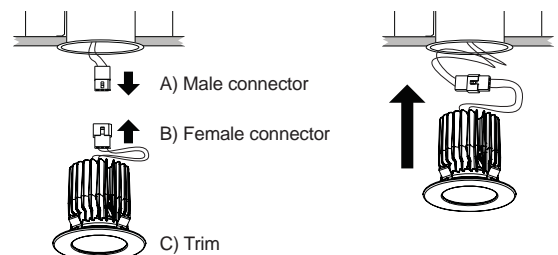
6. Install the ceiling material and locate the center of each fixture on the ceiling material.
7. Cut the hole to a diameter of:
200 Series: Ø 4 1/4" (108 mm)
300 Series: Ø 3 5/8" (92 mm)
8. After installing the ceiling material, adjust the height of the can with the adjustment screws so that the lip is even with the ceiling.



9. Install the trim.

Connect the male and female connectors.

Push connected wires in the pot then push the trim in the can.



CAUTION The use of another company's (non-Contrast) products or components in conjunction with Contrast products may not be covered by UL approvals, and could be hazardous. Such use automatically voids all Contrast warranties and responsibility for any problems that may result from such use.



WARNING SHOCK AND FIRE HAZARD

Most dwellings built before 1985 have supply wires rated 60°C. Consult a qualified electrician before installing.

Please visit the Website to see the list of compatible dimmers or for more details.

