

Nuda

design by *Ernesto Gismondi*

SERIES OF LIGHT FIXTURES WITH DIRECT UNILATERAL OR BILATERAL EMISSION AND HIGH-PERFORMANCE LED LIGHT SOURCES.

- AVAILABLE IN UNILATERAL AND BILATERAL EMISSION VERSION AND IN 2 HEIGHTS 19 11/16" (50 cm) AND 39 3/8" (100 cm)
- AVAILABLE IN 2 FINISHES: PAINTED GREY WHITE (RAL9002) OR RUST
- COMPOSED BY LAMP, SUPPORT POLE AND GROUND MOUNTING PLATE
- LAMP UNIT IN DIE-CAST EN-AB 47100 ALUMINUM
- UV RESISTANT DIFFUSER IN SHOCK RESISTANT POLYCARBONATE WITH SATIN FINISH
- SPECULAR REFLECTOR IN ALUMINUM. CONVEYS AND DIFFUSES THE LUMINOUS FLOW DOWNWARDS ENSURING VISUAL COMFORT
- SUPPORT POLE IN EXTRUDED EN-AW-6060 ALUMINUM, CHROMATE TREATED AND PAINTED
- MOUNTING PLATE IN FOLDED, WELDED AND PAINTED STEEL, WITH HOLES FOR GROUND FIXING BY MEANS OF LOCK BOLTS OR DOWELS; INCLUDED
- PAINTING IS OBTAINED BY MEANS OF 3-STAGE OUTDOOR TREATMENT: NANOTECHNOLOGIES, ANTIOXIDANT PRIMER, POLYESTER PAINT
- AISI 316 STAINLESS STEEL SCREWS AND SILICONE SEAL GASKET
- STANDARD NON DIMMABLE. FOR POTENTIAL DIMMING OPTION, PLEASE CONTACT YOUR ARTEMIDE SALES REPRESENTATIVE.
- ELECTRONIC DRIVER INTEGRATED
- PROVIDED WITH IP67 CABLE AND CONNECTOR FOR THE MAIN CONNECTIONS

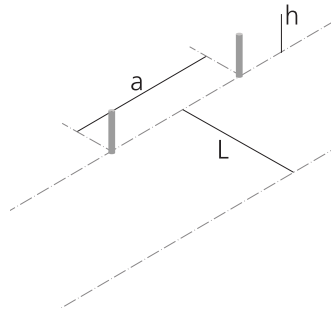


NUDA 50 UNILATERAL FLOOR

LED 8W			Lighting application		
h	L	a	Em	E _{max}	E _{min}
0,5 m	0,5 m	1,8 m	46 lux	176 lux	0.8 lux
20"	20"	71"	4.3 fc	16.4 fc	0.07 fc

NUDA 100 UNILATERAL FLOOR

LED 17W			Lighting application		
h	L	a	Em	E _{max}	E _{min}
1,0 m	1,0 m	2,5 m	22 lux	66 lux	0.3 lux
39"	39"	98"	2 fc	6.1 fc	0.03 fc

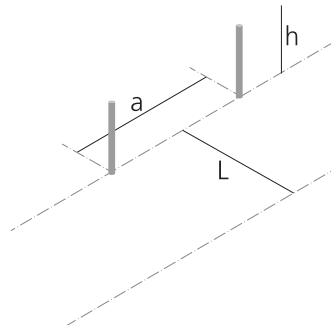


NUDA 50 BILATERAL FLOOR

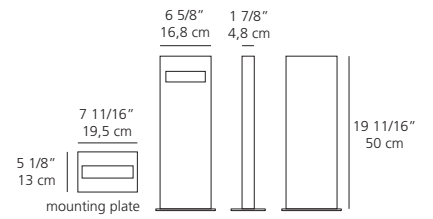
LED 8W			Lighting application		
h	L	a	Em	E _{max}	E _{min}
0,5 m	2 m	1,8 m	16 lux	83 lux	0.2 lux
20"	40"	71"	1.5 fc	7.7 fc	0.02 fc

NUDA 100 BILATERAL FLOOR

LED 17W			Lighting application		
h	L	a	Em	E _{max}	E _{min}
1,0 m	2,0 m	2,5 m	10 lux	32 lux	0.2 lux
39"	78"	98"	0.9 fc	3 fc	0.02 fc



**NUDA 50
UNILATERAL FLOOR**

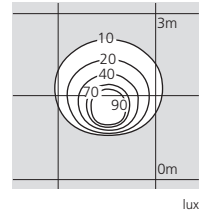
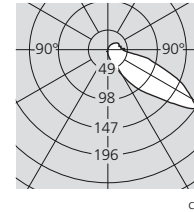


IP65

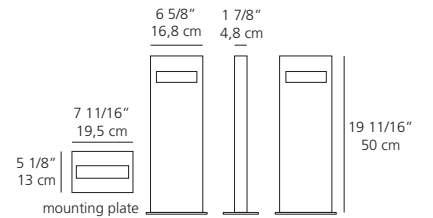
 Tested in accordance
 with **IES LM-79-08**

code	lampping	power consumption	lumens	CCT	CRI	finish
T083608	6 LED	8W	180lm	3000K	80	● grey white
T083618	6 LED	8W	180lm	3000K	80	● rust

Electronic driver integrated



**NUDA 50
BILATERAL FLOOR**

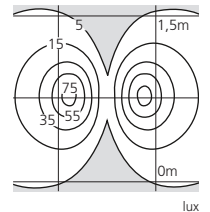
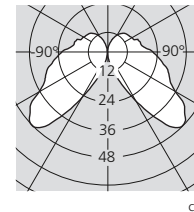


IP65

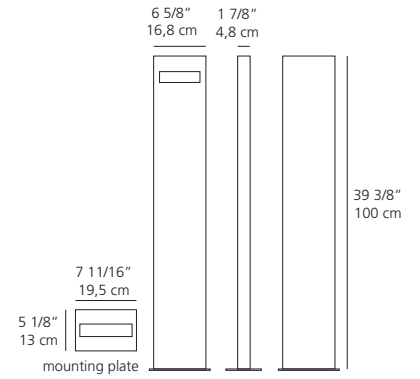
 Tested in accordance
 with **IES LM-79-08**

code	lampping	power consumption	lumens	CCT	CRI	finish
T083708	6 LED	8W	147lm	3000K	80	● grey white
T083718	6 LED	8W	147lm	3000K	80	● rust

Electronic driver integrated



**NUDA 100
UNILATERAL FLOOR**



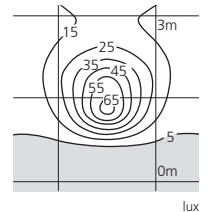
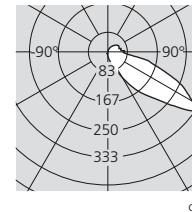
IP65



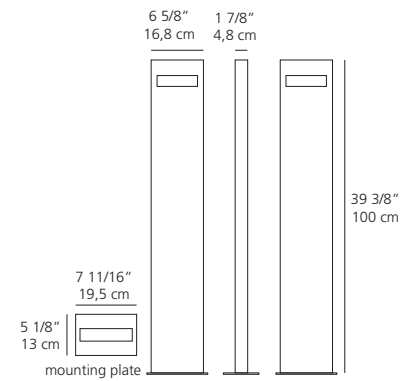
Tested in accordance with IES LM-79-08

code	lampping	power consumption	lumens	CCT	CRI	finish
T083808	6 LED	17W	306lm	3000K	80	● grey white
T083818	6 LED	17W	306lm	3000K	80	● rust

Electronic driver integrated



**NUDA 100
BILATERAL FLOOR**



IP65



Tested in accordance with IES LM-79-08

code	lampping	power consumption	lumens	CCT	CRI	finish
T083908	6 LED	17W	250lm	3000K	80	● grey white
T083918	6 LED	17W	250lm	3000K	80	● rust

Electronic driver integrated

