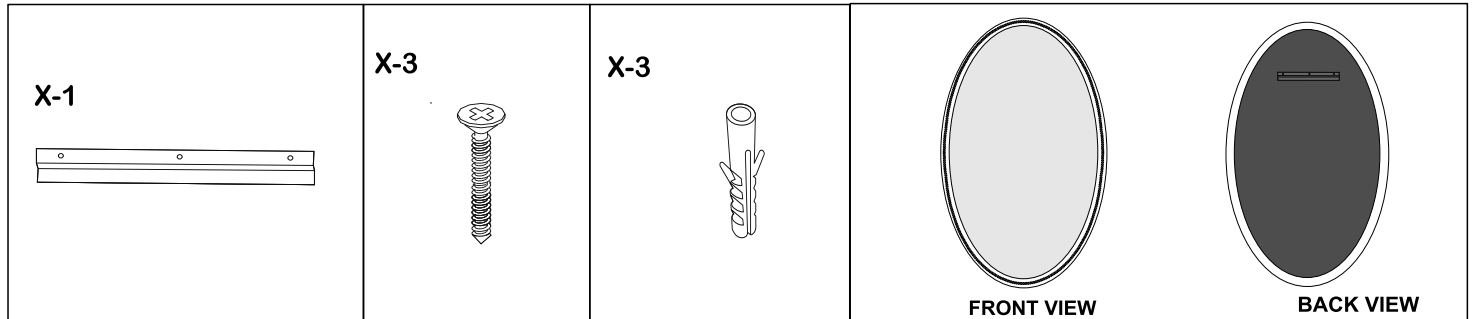


# UTTERMOST

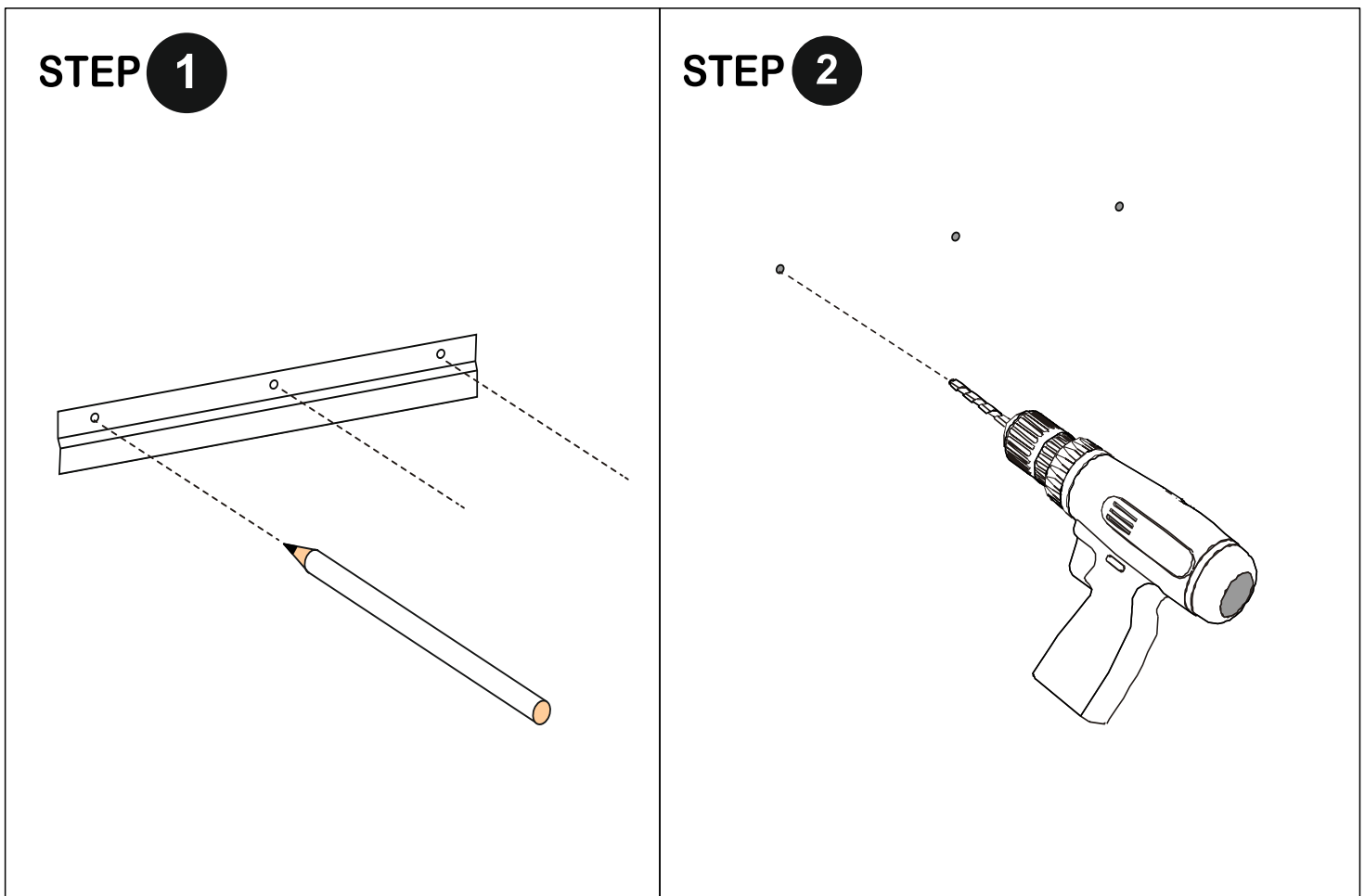
## HANGING INSTRUCTIONS

Item# 08356

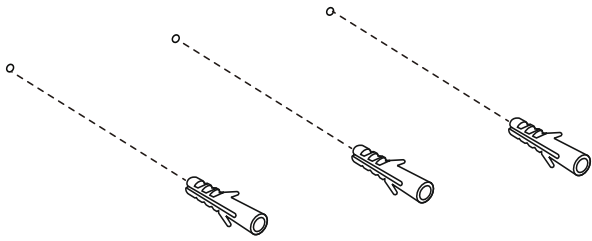
### HARDWARE



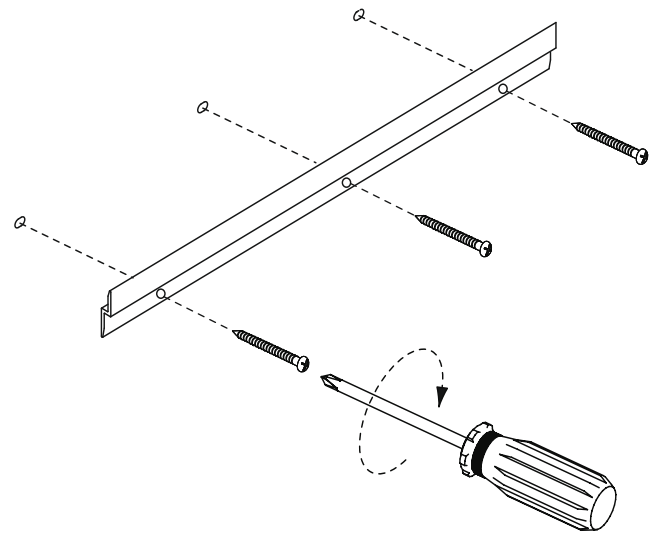
## HANGING INSTRUCTIONS



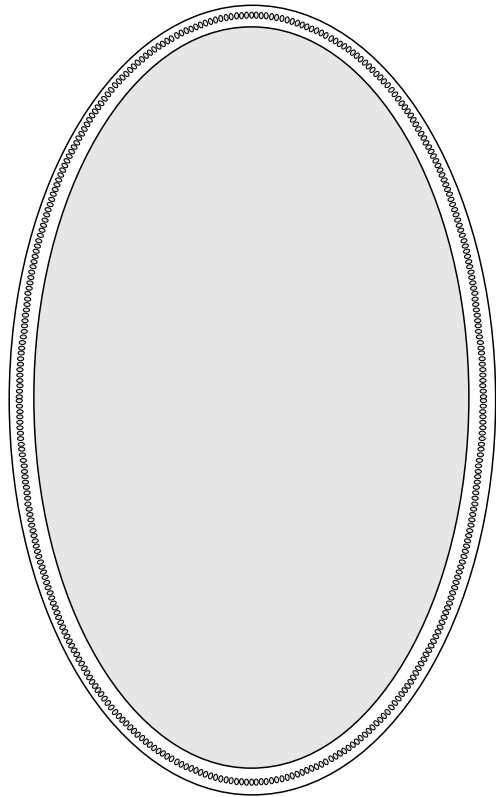
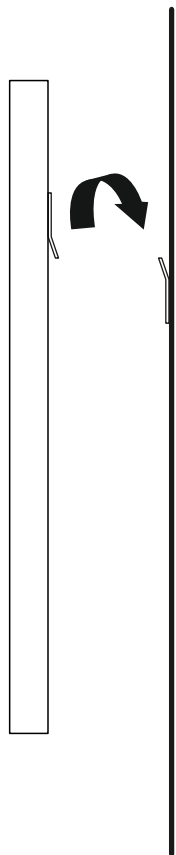
### STEP 3



### STEP 4



### STEP 5



**FINAL ASSEMBLE MIRROR**