



1718 W. Fullerton Chicago, IL 60614
 Ph: 773.770.1195 • Fax: 773.935.5613
 www.PureEdgeLighting.com • info@PureEdgeLighting.com
 © 2016 PureEdge Lighting. All Rights Reserved.

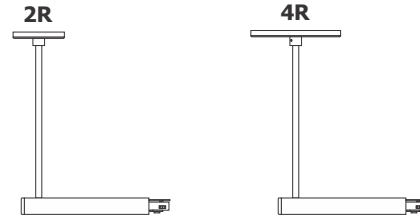
Installation Instructions for Track Surface Mount Stem End Feed

TS24-EP1-STM-__

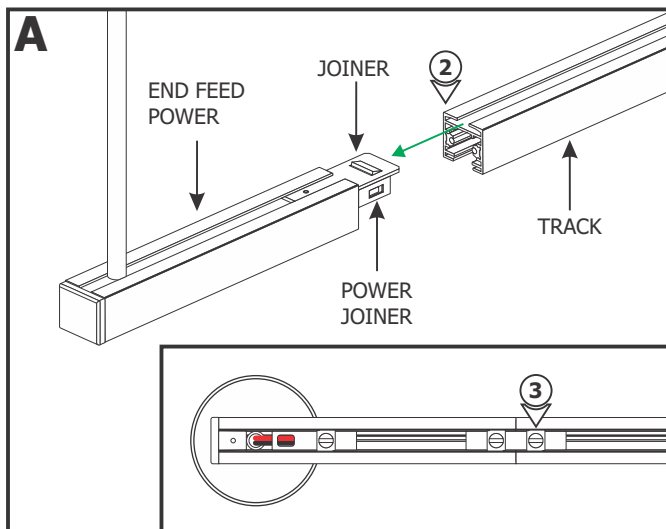
IMPORTANT INFORMATION

- This instruction shows a typical installation.
- The fixtures used with the PureEdge Lighting systems must be identified for use with the corresponding PureEdge Lighting systems.
- This product is ceiling mount.
- It is recommended more than one person to assist in this installation.

SAVE THESE INSTRUCTIONS!



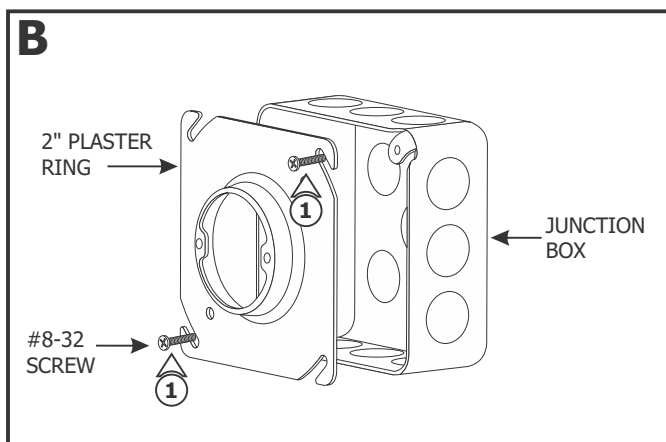
Section One: Install the Power Feed to the Track



NOTE: Ensure stem supports are installed on the track before connecting the power feed connector to the track. Refer to the instructions provided with the Stem Support.

- 1: Align the track with the joiner on the End Feed Power Connector.
- 2: Slide the track over the joiner and power joiner connector.
- 3: Tighten the slotted screw on the power joiner connector with a flat-head screwdriver to secure in place.

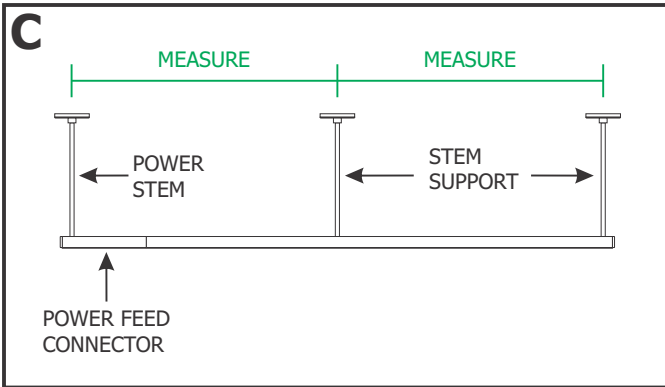
Section Two: Install the 2" Canopy



NOTE: Omit this section if using the 4" Canopy. Refer to Section Three.

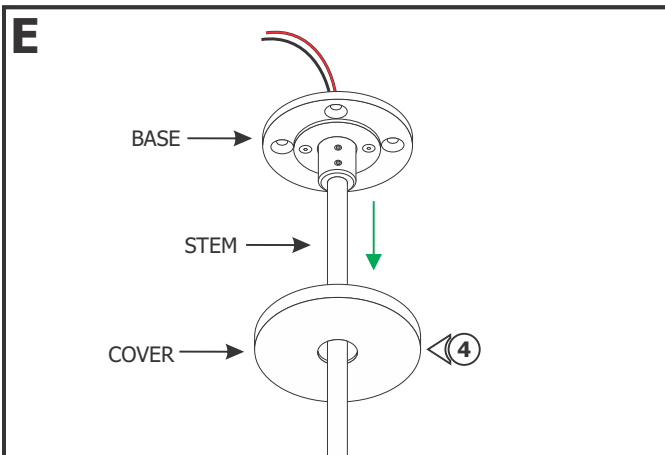
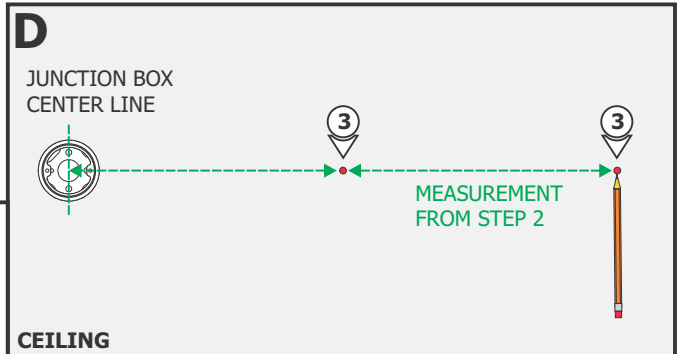
NOTE: To replace the existing plaster ring, some modification of drywall around the junction box is necessary.

- 1: Install 2" plaster ring to junction box and secure with two provided #8-32 screws. Install drywall and finish.



2: Measure the distance between the center of each stem.

3: The power feed connector stem should be aligned with the center of the junction box. Mark the location of each stem support on the ceiling from the center for the junction box. Ensure the marked points are leveled horizontally with the center of the junction box.



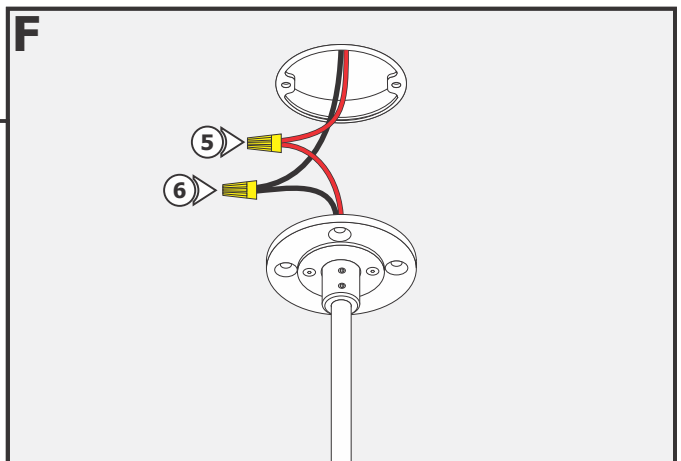
4: Lift the canopy cover and remove it from the base. Slide the cover down the stem.

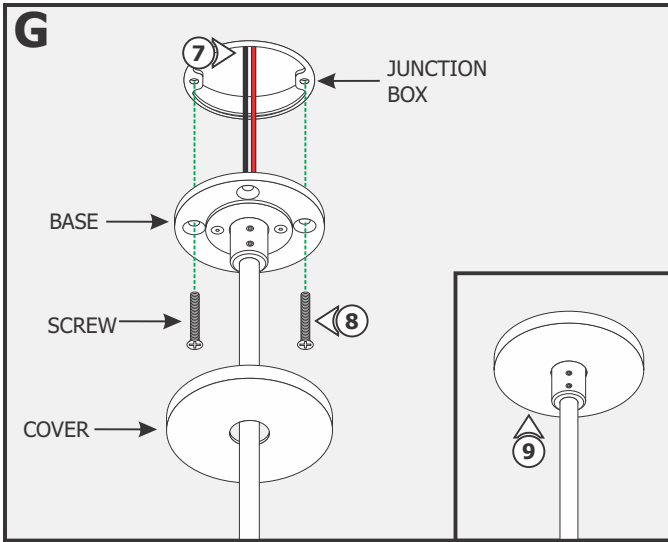
NOTE: The 24VDC power wires must be present in the junction box. Refer to the installation instructions provided with the power supply.

NOTE: It is recommended another person hold the fixture while the electrician connects the power to the fixture.

5: Connect the red fixture wire to the +24VDC power supply wire with a wire nut.

6: Connect the black fixture wire to the -24VDC power supply wire with a wire nut.





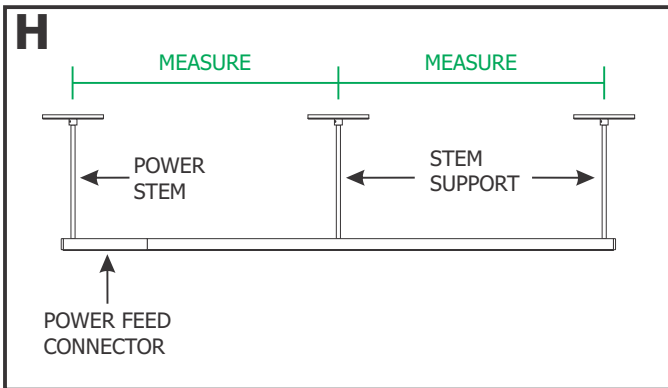
NOTE: Align and install the other stems simultaneously.

7: Place all wire nut connections inside the junction.

8: Align the base with the junction box holes and secure it in place by tightening the two screws.

9: Slide the cover over the base. The magnets on the back of the cover will keep it in place.

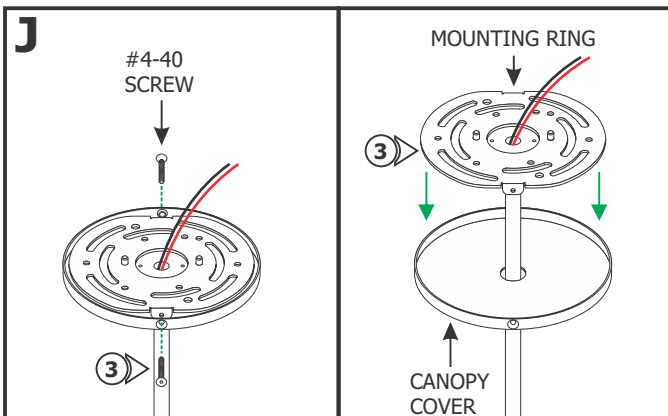
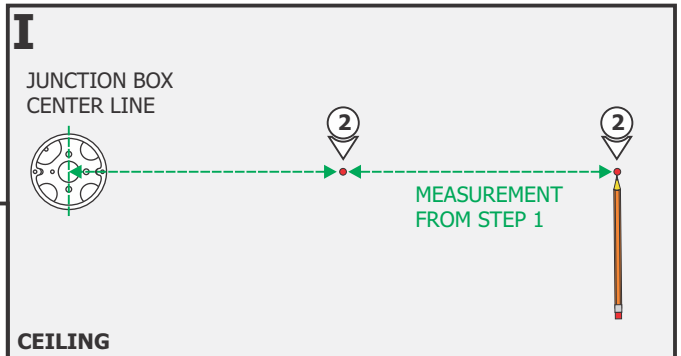
Section Three: Install the 4" Canopy



NOTE: Omit this section if using the 2" Canopy.

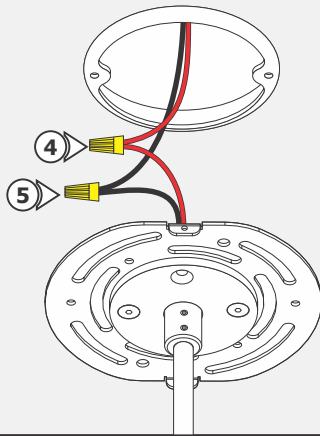
1: Measure the distance between the center of each stem.

2: The power feed connector stem should be aligned with the center of the junction box. Mark the location of each stem support on the ceiling from the center for the junction box. Ensure the marked points are leveled horizontally with the center of the junction box.



3: Remove the two #4-40 screws using a 1/16" Allen wrench to remove the canopy cover from the base. Slide the cover down the stem.

K



NOTE: The 24VDC power wires must be present in the junction box. Refer to the installation instructions provided with the power supply.

NOTE: It is recommended another person hold the fixture while the electrician connects the power to the fixture.

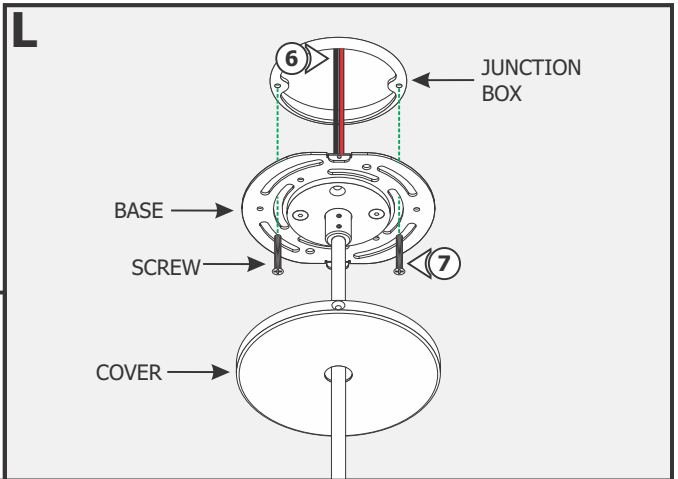
4: Connect the red fixture wire to the +24VDC power supply wire with a wire nut.

5: Connect the black fixture wire to the -24VDC power supply wire with a wire nut.

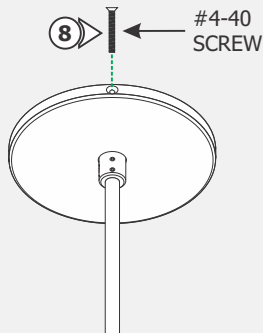
NOTE: Align and install the other stems simultaneously.

6: Place all wire nut connections inside the junction.

7: Align the base with the junction box holes and secure it in place by tightening the two screws.

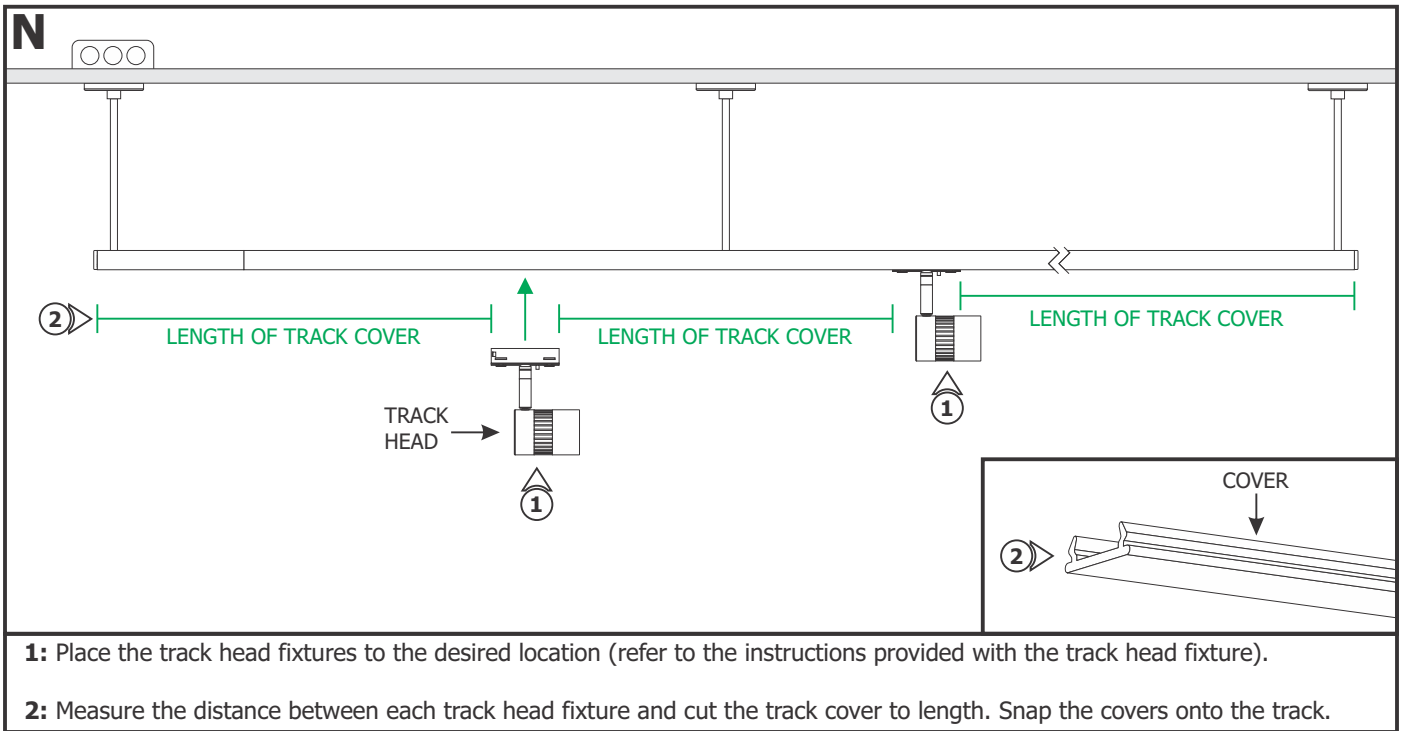


M



8: Slide the covers over the bases. Secure the covers to the mounting rings of the bases with the provided screws using an Allen wrench.

Section Four: Install the Track Heads and Track Covers





1718 W. Fullerton Chicago, IL 60614
 Ph: 773.770.1195 • Fax: 773.935.5613
 www.PureEdgeLighting.com • info@PureEdgeLighting.com
 © 2016 PureEdge Lighting. All Rights Reserved.

Installation Instructions for Track Surface Mount Stem Center Feed TS24-CP1-STM-__

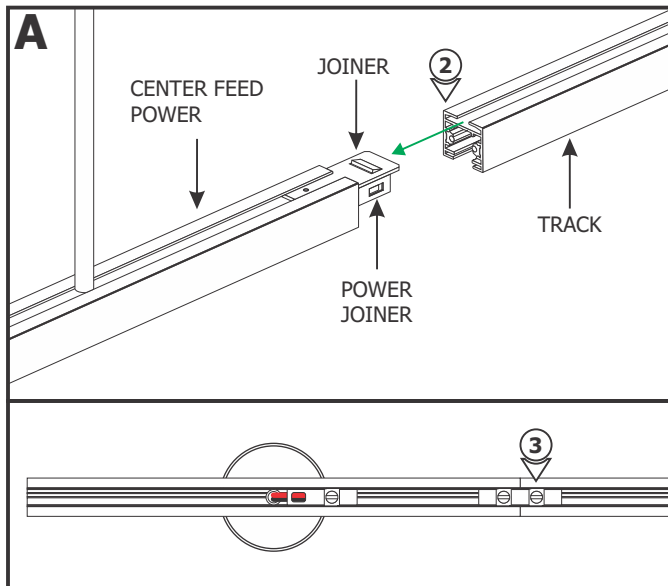
IMPORTANT INFORMATION

- This instruction shows a typical installation.
- The fixtures used with the PureEdge Lighting systems must be identified for use with the corresponding PureEdge Lighting systems.
- This product is ceiling mount.
- It is recommended more than one person to assist in this installation.

SAVE THESE INSTRUCTIONS!

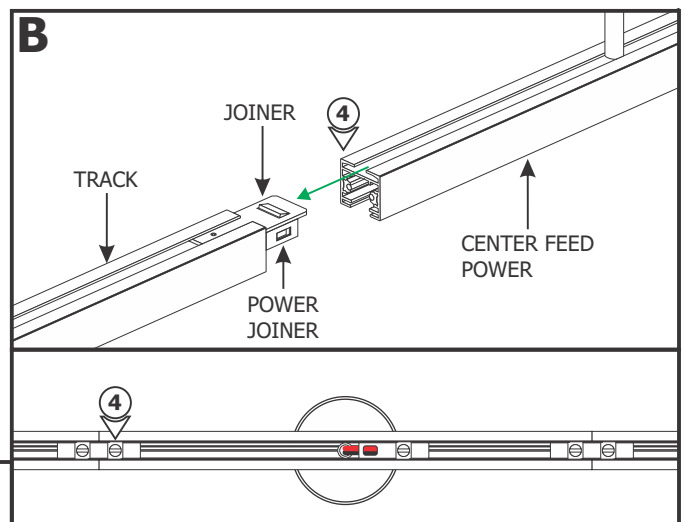


Section One: Install the Power Feed to the Track



NOTE: Ensure stem supports are installed on the track before connecting the power feed connector to the track. Refer to the instructions provided with the Stem Support.

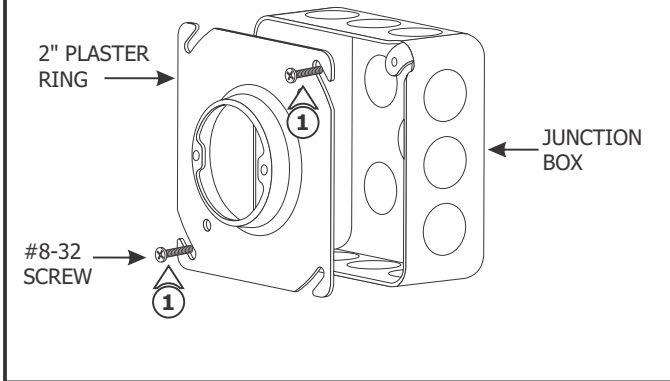
- 1: Align the track with the joiner on the Center Feed Power Connector.
- 2: Slide the track over the joiner and power joiner connector.
- 3: Tighten the slotted screw on the power joiner connector with a flat-head screwdriver to secure in place.



- 4: Repeat steps 1 through 3 to connect the second track to the other end of the Center Feed Power Connector.

Section Two: Install the 2" Canopy

C

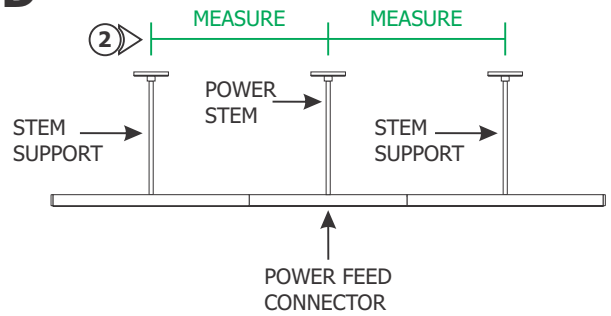


NOTE: Omit this section if using the 4" Canopy. Refer to Section Three.

NOTE: To replace the existing plaster ring, some modification of drywall around the junction box is necessary.

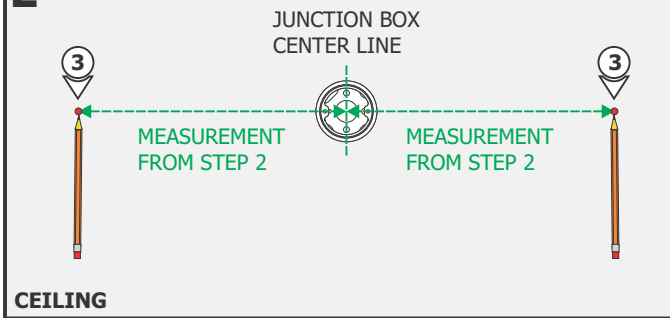
1: Install 2" plaster ring to junction box and secure with two provided #8-32 screws. Install drywall and finish.

D



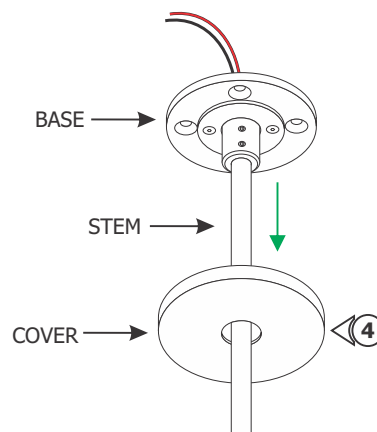
2: Measure the distance between the center of each stem.

E

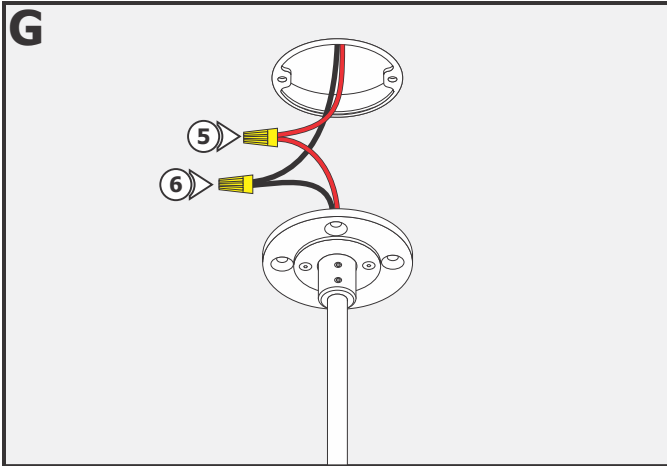


3: The power feed connector stem should be aligned with the center of the junction box. Mark the location of each stem support on the ceiling from the center for the junction box. Ensure the marked points are leveled horizontally with the center of the junction box.

F



4: Lift the canopy cover and remove it from the base. Slide the cover down the stem.



NOTE: The 24VDC power wires must be present in the junction box. Refer to the installation instructions provided with the power supply.

NOTE: It is recommended another person hold the fixture while the electrician connects the power to the fixture.

5: Connect the red fixture wire to the +24VDC power supply wire with a wire nut.

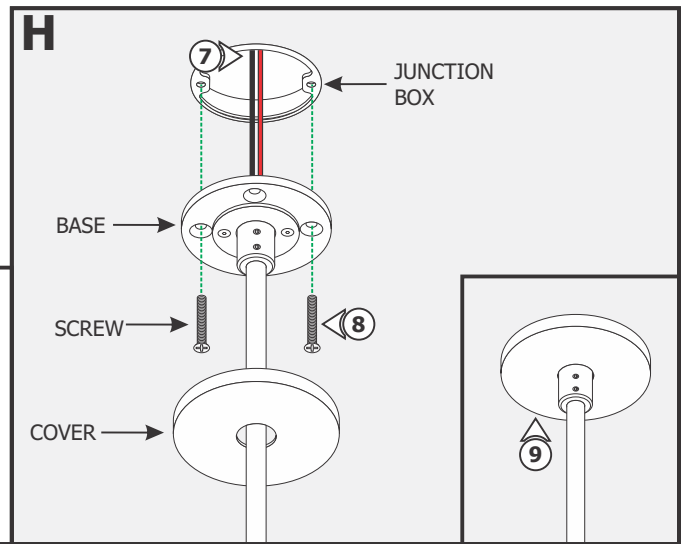
6: Connect the black fixture wire to the -24VDC power supply wire with a wire nut.

NOTE: Align and install the other stems simultaneously.

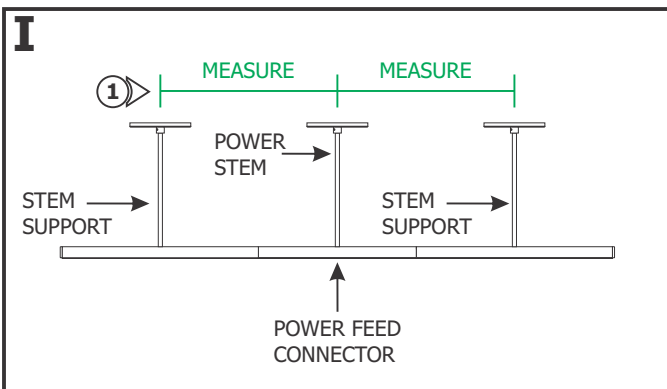
7: Place all wire nut connections inside the junction.

8: Align the base with the junction box holes and secure it in place by tightening the two screws.

9: Slide the cover over the base. The magnets on the back of the cover will keep it in place.



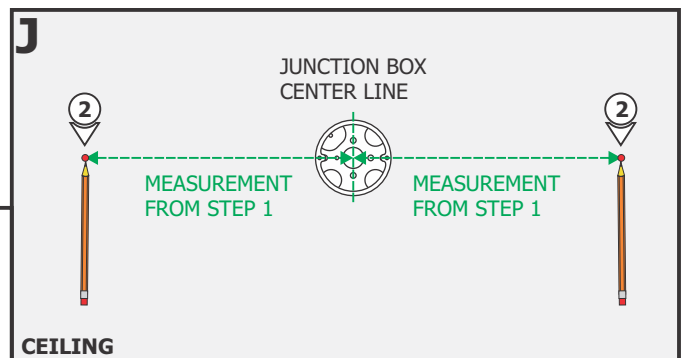
Section Three: Install the 4" Canopy

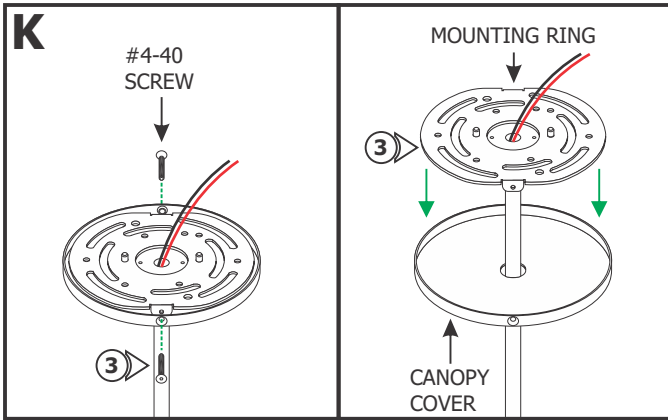


NOTE: Omit this section if using the 2" Canopy.

1: Measure the distance between the center of each stem.

2: The power feed connector stem should be aligned with the center of the junction box. Mark the location of each stem support on the ceiling from the center for the junction box. Ensure the marked points are leveled horizontally with the center of the junction box.





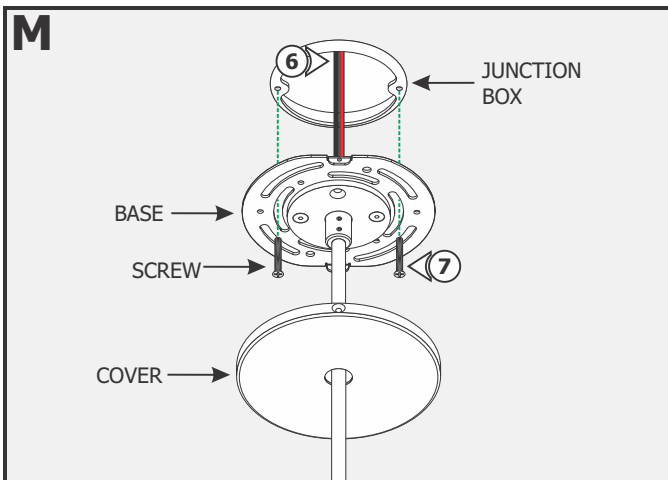
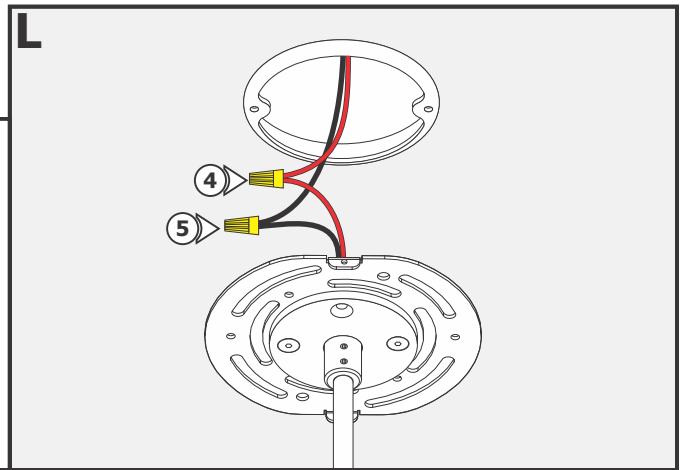
3: Remove the two #4-40 screws using a 1/16" Allen wrench to remove the canopy cover from the base. Slide the cover down the stem.

NOTE: The 24VDC power wires must be present in the junction box. Refer to the installation instructions provided with the power supply.

NOTE: It is recommended another person hold the fixture while the electrician connects the power to the fixture.

4: Connect the red fixture wire to the +24VDC power supply wire with a wire nut.

5: Connect the black fixture wire to the -24VDC power supply wire with a wire nut.

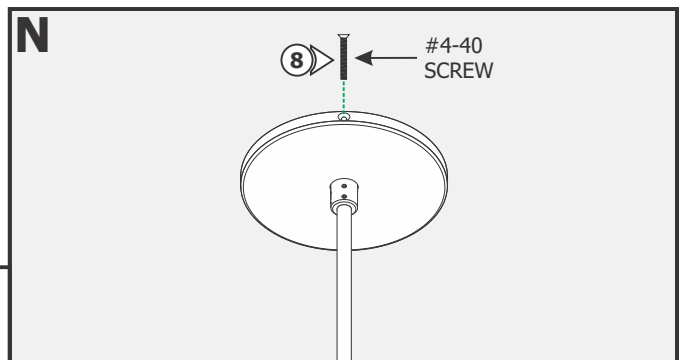


NOTE: Align and install the other stems simultaneously.

6: Place all wire nut connections inside the junction.

7: Align the base with the junction box holes and secure it in place by tightening the two screws.

8: Slide the covers over the bases. Secure the covers to the mounting rings of the bases with the provided screws using an Allen wrench.



Section Four: Install the Track Heads and Track Covers

