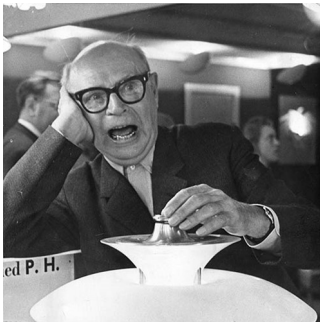


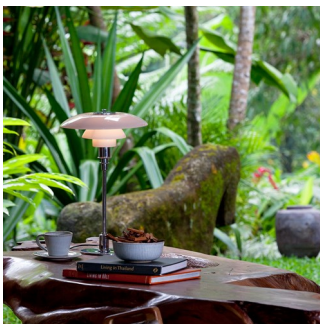
# PH 3/2 GLASS TABLE

The fixture is designed based on the principle of a reflective three-shade system, which directs the majority of the light downwards. The shades are made of hand blown opal three-layer glass, which is glossy on top and sandblasted matte on the underside, giving a soft and diffused light distribution.



## Poul Henningsen

Poul Henningsen was born in Copenhagen by the famous Danish writer Agnes Henningsen. He never graduated as an architect, but studied at The Technical School at Frederiksberg, Denmark from 1911-14, and then at Technical College in Copenhagen from 1914-17.



## Chapung SeBali Resort & Spa



## American Heart Institute

## Product info

### Mounting

Cord type: Black. Cord length: 10'. Switch: In-line on/off switch provided.

### Finish

Black metalized or high lustre chrome plated. White opal glass.

### Materials

Base: Black metalized or high lustre chrome plated, brass. Shades: Hand blown white opal glass. Top plate: Black metalized or high lustre chrome plated, spun brass. Stem: Black metalized or high lustre chrome plated, brass.

### Sizes and weight

Width x Height x Length (in.) | 11.4 x 18.6 x 11.4 Max 6.6 lbs

### Compliance

cULus, Dry location.

### Light source

G16.5/candelabra



## Related products



PH 3/2 Pendant



PH 3-2 Wall

## Product variants

Color	Cable type	Light source	Voltage frequency
● Black metalized	Blk	G16.5/candelabra	120V
● Brass metalized	Wht		
● High lustre chrome plated			

# Product description

Portable fixture.  
Terse and iconic design.  
The size of the three shades is adjusted for optimum performance and comfort.  
Interior surfaces of glass shades sandblasted to diffuse light.  
Member of a family products of various sizes and type.

---

## Mounting

Portable fixture plugs into standard wall outlet.

---

## Light description

The fixture emits glare free, comfortable light.

---

## Design

Poul Henningsen

---

## Material

Shades: mouth blown white glass, 1.5mm (0.06") thick.  
Struts: chrome plated steel.  
Base: steel with black or silver chrome-plated brass cover.  
Stem: extruded steel, black or silver chrome plated, 1.5mm (0.06") thick.  
Switch: on/off, phenolic, on base.  
Socket: phenolic, candelabra base for G16.5, frosted envelope lamps.

---

## Weight

Min: 6.548 lbs Max: 6.629 lbs

---

## Finish

Black metalized, Brass metalized, High lustre chrome plated

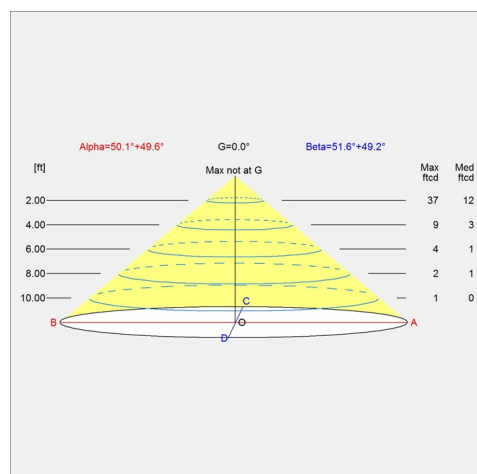
---

## Voltage

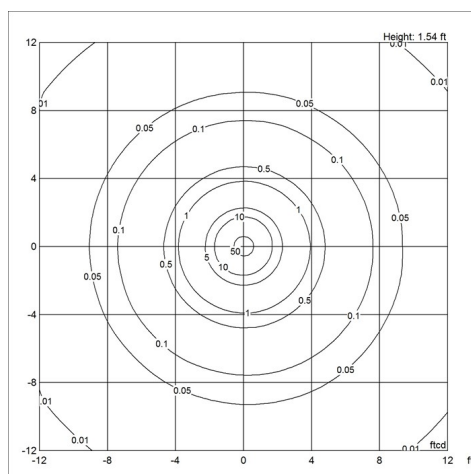
120V

# Light distribution diagrams

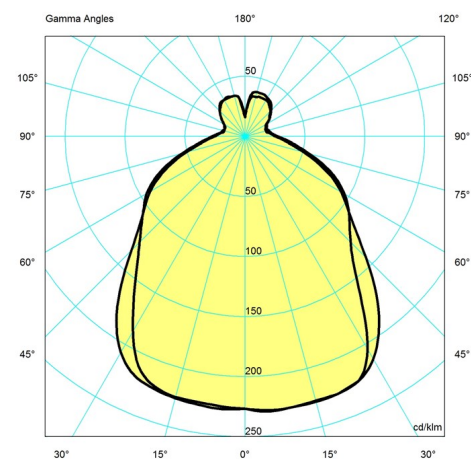
## Cartesian



## Isolux



## Polar



## Spare parts & accessories

Product	Variant number
PH 3-2, MIDDLE SHADE, GLASS	5741481598
PH 3-2, LOWER SHADE, GLASS	5741481608
PH 3-2 TABLE/WALL, TOP SHADE, GLASS	5741481585
FINGER SCREW SS M3X12 (3PCS) LOWER	5744610528
FINGER SCREW SS M2X8 (3PCS) MIDDLE	5744611116
FINGER SCREW BRASS RAW M2X8 (3PCS)MIDDLE	5744611271
FINGER SCREW BRASS RAW M3X12 (3PCS)LOWER	5744611284