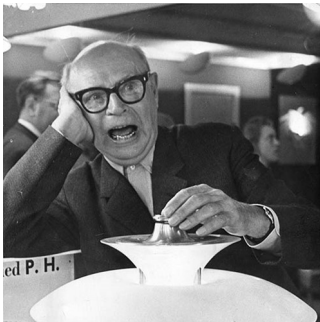


PH 3/2 PENDANT

The fixture is designed based on the principle of a reflective three-shade system, which directs the majority of the light downwards. The shades are made of hand blown opal three-layer glass, which is glossy on top and sandblasted matte on the underside, giving a soft and uniform light distribution.



Poul Henningsen

Poul Henningsen was born in Copenhagen by the famous Danish writer Agnes Henningsen. He never graduated as an architect, but studied at The Technical School at Frederiksberg, Denmark from 1911-14, and then at Technical College in Copenhagen from 1914-17.



**Restaurant
Kadeau**



American Heart Institute

Product info

Information

Electrical: System Wattage: 15W LED Wattage: 14 W Delivered lumens: 777 Efficacy: 51.8 lm/W Certifications: cULus, Dry Location Protection class IP20 Controllability: Phase dimming Actual performance dependent upon screw-base lamp used.

Mounting

Canopy: White. Cord type: 3-conductor, 18 AWG black PVC power cord. Cord length: 12'.

Finish

Black metalized or high lustre chrome plated. White opal glass.

Materials

Shades: Hand blown white opal glass. Suspension: Black metalized or high lustre chrome plated, brass.

Sizes and weight

Width x Height x Length (in.) | 11.4 x 9.5 x 11.4 Max 3.7 lbs

Compliance

cULus, Dry location.

Light source

A-19/medium

Information

Electrical:

System Wattage: 15W

LED Wattage: 14 W

Delivered lumens: 777

Efficacy: 51.8 lm/W

Certifications:

cULus, Dry Location

Protection class IP20

Controllability: Phase dimming

Actual performance dependent upon screw-base lamp used.



Related products



PH 3/2 Glass Table



PH 3-2 Wall

Product variants

Color	Cable type	Light source	Voltage frequency
● Black metalized	Black textile	A-19/medium	120V
● Brass metalized	White textile		
● High lustre chrome plated			

Product description

PH 3/2 pendant is one of the iconic fixtures recognized throughout the world. It is a small-scale pendant of gently sloped glass shades with a lustrous metal socket housing on top. The iconic design is based on the principle of a reflective three-shade system, which directs the majority of the light downwards. The shades are made of handblown, opal white, three-layer glass, which is glossy on top and sandblasted matte on the underside, giving a soft and uniform light distribution. The socket housing is available in three finishes of chrome, metalized black, and metalized brass. Part of a family including indoor and outdoor products.

Mounting

Mounts onto a 4 inch octagonal outlet box. Canopy: White for all pendants, flat cone profile, 5.3 IN diameter x 1 IN tall. Cord type: 3-conductor, 18 AWG fabric-covered power cord. Brass pendant has white cord, chrome and black pendants have black cord. Cord length: 12 feet.

Light description

Light distribution is mostly downward with the glass shades casting a soft glow horizontally and upwards. The curvature of the shades and their positions limit the direct view of the lamp to reducing glare. Provided with a medium base socket for the customer to provide their desired lamp.

Design

Poul Henningsen

Material

Glass shades are three-layered, glossy, opal white, handblown glass 0.2 IN thick with sandblasted inner surfaces. Socket housing and stem are brass 0.05 IN thick. Socket is porcelain. Shade holder is brass or stainless steel. Canopy is spun aluminum, 0.03 IN thick. Finish is high lustre chrome plating or metalized black or brass. Black metalized, Brass metalized, High lustre chrome plated

Weight

Min: 3.164 lbs Max: 3.737 lbs

Other functions

Longer cord lengths.

Finish

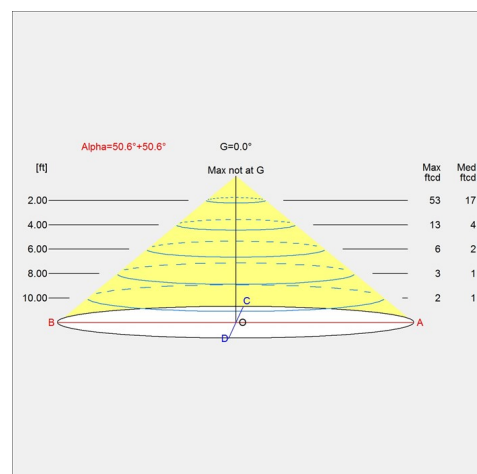
Black metalized, Brass metalized, High lustre chrome plated

Voltage

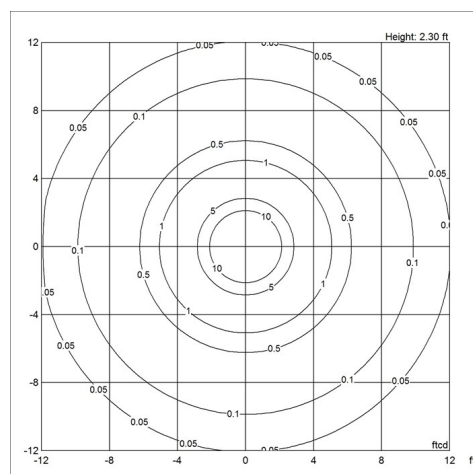
120V

Light distribution diagrams

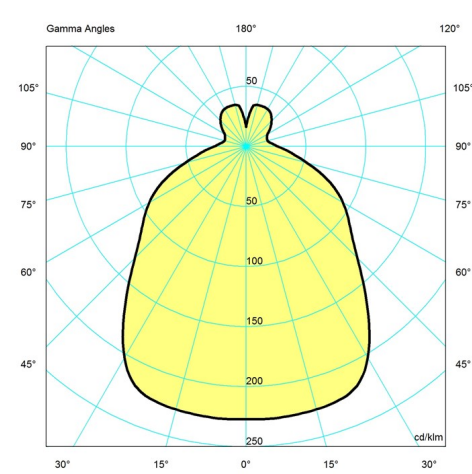
Cartesian



Isolux



Polar



Spare parts & accessories

Product

FINGER SCREW MCP M3X11 (3PCS) LOWER
 PH 3-2, MIDDLE SHADE, GLASS
 PH 3-2, LOWER SHADE, GLASS
 PH 3-2 PENDANT, TOP SHADE, GLASS
 PH 3-2 SUSPENSION CHROME V2
 PH 3-2 SUSPENSION 75W E27 BLK PVD V2

Variant number

5744611158
 5741481598
 5741481608
 5741085091
 5741097539
 5741097568