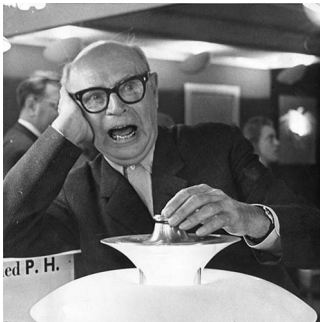


PH 3½-3 GLASS PENDANT

The fixture is designed based on the principle of a reflective three-shade system, which directs the majority of the light downwards. The shades are made of hand blown opal three-layer glass, which is glossy on top and sandblasted matte on the underside, giving a soft and uniform light distribution.



Poul Henningsen

Poul Henningsen was born in Copenhagen by the famous Danish writer Agnes Henningsen. He never graduated as an architect, but studied at The Technical School at Frederiksberg, Denmark from 1911-14, and then at Technical College in Copenhagen from 1914-17.



Product info

Information

Electrical: System Wattage: 15W LED Wattage: 14 W Delivered lumens: 1,364 Efficacy: 90.9 lm/W Certifications: cULus, Dry Location Protection class IP20 Controllability: Phase dimming Actual performance dependent upon screw-base lamp used.

Mounting

Canopy: Black. Cord type: 3-conductor, 18 AWG black PVC power cord. Cord length: 12'.

Finish

Black metalized or high lustre chrome plated. White opal glass.

Materials

Shades: Hand blown white opal glass. Suspension: Black metalized or high lustre chrome plated, brass.

Sizes and weight

Width x Height x Length (in.) | 13 x 11.3 x 13 Max 4.9 lbs

Compliance

cULus, Dry location.

Light source

A-19/medium

Information

Electrical:

System Wattage: 15W

LED Wattage: 14 W

Delivered lumens: 1,364

Efficacy: 90.9 lm/W

Certifications:

cULus, Dry Location

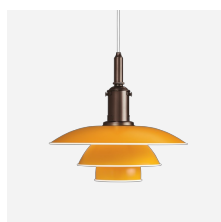
Protection class IP20

Controllability: Phase dimming

Actual performance dependent upon screw-base lamp used.



Related products



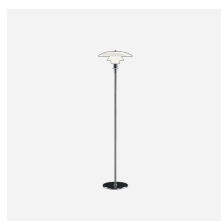
PH 3½-3 Pendant



PH 3½-2½ Table



PH 3½-2½ Glass Table



PH 3½-2½ Floor

Product variants

| Color | Cable type | Light source | Voltage frequency |
|--|---------------|--------------|-------------------|
| <input checked="" type="radio"/> Black metalized | Black textile | A-19/medium | 120V |
| <input type="radio"/> Brass metalized | White textile | | |
| <input type="radio"/> High lustre chrome plated | | | |

Product description

PH 3 ½-3 pendant is one of the iconic fixtures recognized throughout the world. Medium scale pendant of gently sloped glass shades with a lustrous metal socket housing on top. The iconic design is based on the principle of a reflective three-shade system, which directs the majority of the light downwards. The shades are made of handblown, opal white, three-layer glass, which is glossy on top and sandblasted matte on the underside, giving a soft and uniform light distribution. The socket housing is available in three finishes of chrome, metalized black, and metalized brass. Part of a family including indoor and outdoor products.

Mounting

Mounts onto a 4 inch octagonal outlet box. Canopy: White for all pendants, flat cone profile, 5.3 IN diameter x 1 IN tall. Cord type: 3-conductor, 18 AWG fabric-covered power cord. Brass pendant has white cord, chrome and black pendants have black cord. Cord length: 12 feet.

Light description

Light distribution is mostly downward with the glass shades casting a soft glow horizontally and upwards. The curvature of the shades and their positions limit the direct view of the lamp to reducing glare. Provided with a candelabra base socket for the customer to provide their desired lamp.

Design

Poul Henningsen

Material

Glass shades are three-layered, glossy, opal white, handblown glass 0.2 IN thick with sandblasted inner surfaces. Socket housing and stem are brass 0.05 IN thick. Socket is porcelain. Shade holder is brass or stainless steel. Canopy is spun aluminum, 0.03 IN thick. Finish is high lustre chrome plating or metalized black or brass.

Weight

Min: 4.855 lbs Max: 4.949 lbs

Other functions

Longer cord lengths.

Finish

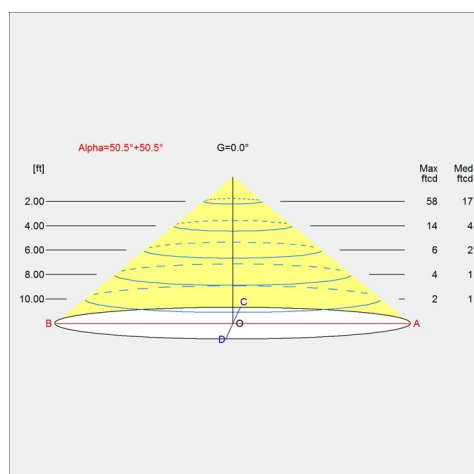
Black metalized, Brass metalized, High lustre chrome plated

Voltage

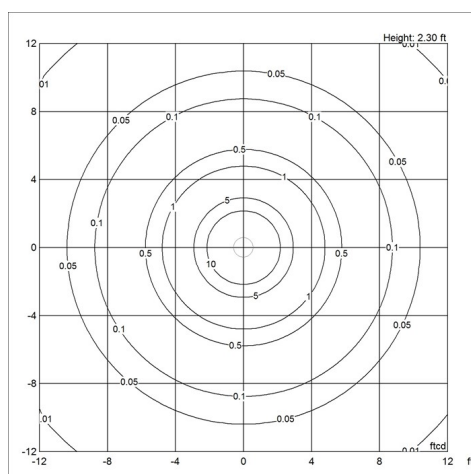
120V

Light distribution diagrams

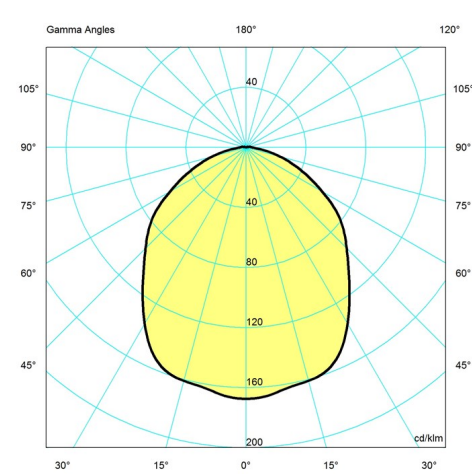
Cartesian



Isolux



Polar



Spare parts & accessories

| Product | Variant number |
|---------------------------------------|----------------|
| PH 3½-3, LOWER SHADE, GLASS | 5741094781 |
| PH 3½-3, MIDDLE SHADE, GLASS | 5741094794 |
| PH 3½-3 PENDANT TOP SHADE GLASS | 5741099346 |
| PH 3½-3 AMBER COLOURED TOP SHADE, GLS | 5741099715 |
| PH 3½-3 MIDDLE SHADE AMBER GLASS | 5741099728 |
| PH 3½-3 LOWER SHADE AMBER GLASS | 5741099731 |
| FINGER SCREW MCP M4X15 (3PCS) LOWER | 5744611145 |

