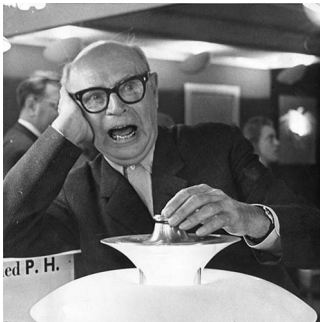


PH 3½-3 PENDANT

The fixture is 100% glare-free, with a design based on the principle of a reflective three-shade system, which directs most of the light downwards. The shades are made of deep drawn aluminum with white inner surface that ensures gentle, downward light distribution. The downward light is both soft and pleasant.



Poul Henningsen

Poul Henningsen was born in Copenhagen by the famous Danish writer Agnes Henningsen. He never graduated as an architect, but studied at The Technical School at Frederiksberg, Denmark from 1911-14, and then at Technical College in Copenhagen from 1914-17.



**Original Coffee,
Copenhagen**



Fredericia Furniture Showroom

Product info

Information

Electrical: System Wattage: 15W LED Wattage: 14 W Delivered lumens: 1,364 Efficacy: 90.9 lm/W Certifications: cULus, Dry Location Protection class IP20 Controllability: Phase dimming Actual performance dependent upon screw-base lamp used.

Mounting

Canopy: White. Cord type: 3-conductor, 18 AWG white PVC power cord. Cord length: 12'.

Finish

Shade: red, green, yellow and white, powder coated. Suspension: silk matte brown, copper.

Materials

Shades: deep drawn aluminum. Suspension: silk matte brown, copper.

Sizes and weight

Width x Height x Length (in.) | 13 x 12 x 13 Max 3.4 lbs

Compliance

cULus, Dry location.

Light source

A-19/medium

Information

Electrical:

System Wattage: 15W

LED Wattage: 14 W

Delivered lumens: 1,364

Efficacy: 90.9 lm/W

Certifications: cULus, Dry Location

Protection class IP20

Controllability: Phase dimming

Actual performance dependent upon screw-base lamp used.



Related products



PH 3½-2½ Floor



PH 3½-3 Glass Pendant



PH 3½-2½ Glass Table



PH 3½-2½ Table

Product variants

Color	Light source	Voltage frequency
<input checked="" type="radio"/> Green	A-19/medium	120V
<input type="radio"/> Red		
<input type="radio"/> White		
<input type="radio"/> Yellow		

Product description

Suspended metal luminaire.
Simplistic design.
Available in multiple colours.
3 shades ensure minimal direct view of lamp.

Mounting

Can be mounted on 4" octagonal junction box.

Light description

Glare free, mostly downlight distribution.
Gentle, downward light distribution.

Design

Poul Henningsen

Material

Shade: spun aluminium, 2mm (0.08") thick, powder coated, white interior for diffuse light.
Stem: stamped copper, 2mm (0.08") thick, silk brown finished.
Struts: cast brass, copper plated and silk brown finished.
Socket: Porcelain, medium base for A-19, frosted envelope lamps.
Canopy: 5.3" diameter x 0.9" tall cone of spun aluminium.
Cable: white PVC coated, 9 ft.

Weight

Min: 3.424 lbs Max: 3.424 lbs

Finish

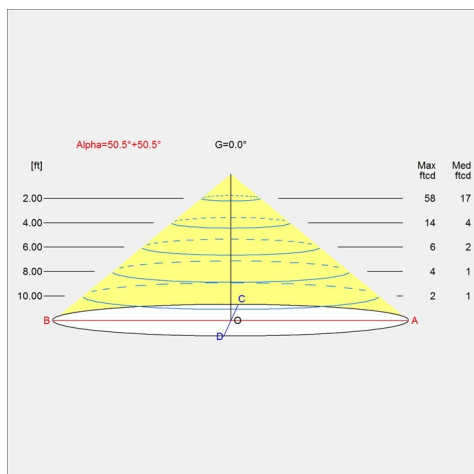
Green, Red, White, Yellow

Voltage

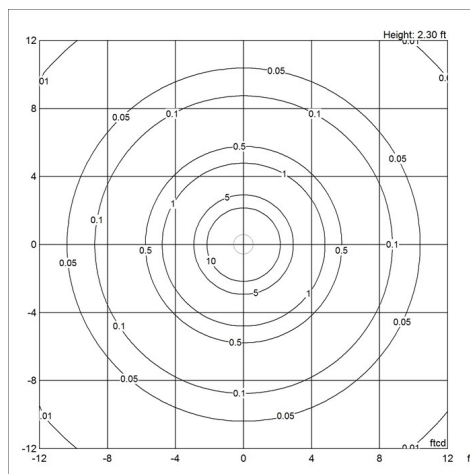
120V

Light distribution diagrams

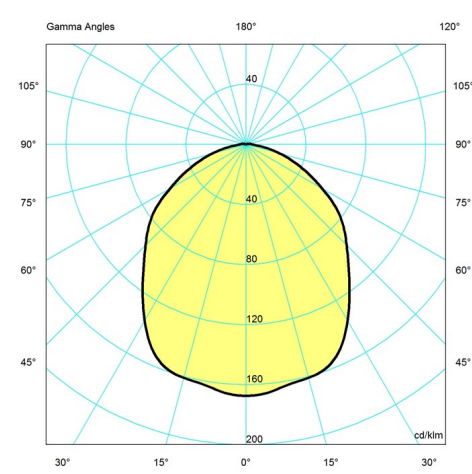
Cartesian



Isolux



Polar



Spare parts & accessories

Product	Variant number
PH 3½ TOP SHADE, RED	5741095434
PH 3½ TOP SHADE, GREEN	5741095463
PH 3½ TOP SHADE, WHT	5741095492
PH 3½ TOP SHADE, YELLOW	5741095528