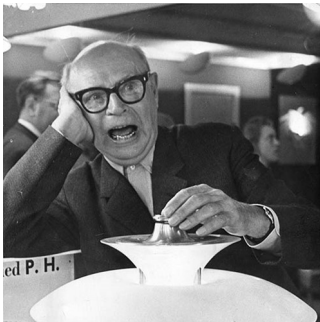


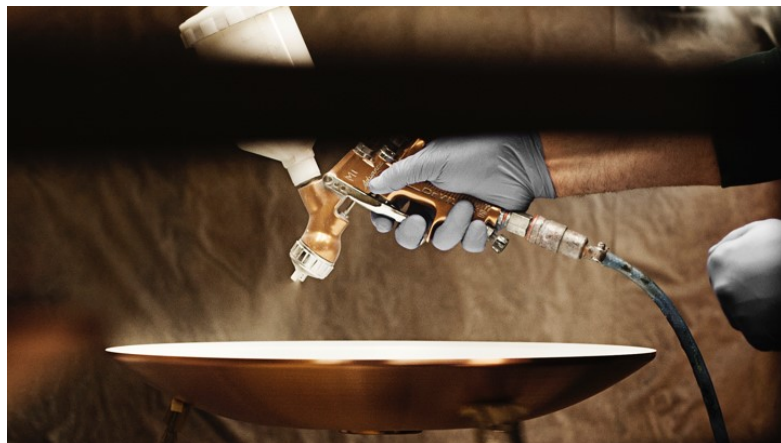
# PH 80

The fixture emits a diffused, reflected, symmetrical light. The majority of the light is directed downward. The opal acrylic shades provide comfortable room lighting. On the original fixture, the red hue of the top reflector adds an intense, warm glow to the light. The black and white fixtures have a white top reflector that reflects the light for a clean, elegant look. The choice of light source will determine the color of the illumination.



## Poul Henningsen

Poul Henningsen was born in Copenhagen by the famous Danish writer Agnes Henningsen. He never graduated as an architect, but studied at The Technical School at Frederiksberg, Denmark from 1911-14, and then at Technical College in Copenhagen from 1914-17.



# Product info

## Information

Electrical: System Wattage: 70W Delivered lumens: 572 lm Efficacy: <10 lm/W Certifications: cULus, Dry Location Protection class IP20 Color Rendering: Ra≥90 Actual performance dependent upon screw-base lamp used.

## Mounting

Cord type: Black. Cable length: 9'. Switch: In-line dimming foot switch provided.

## Finish

White opal acrylic shades. High lustre chrome plated stand with black, textured base. Black stand with black, smooth base. White stand with white, smooth base. Chrome variant has a red top reflector. Black and white variants have a white top reflector.

## Materials

Shades: High pressure molded white opal acrylic. Top reflector: Red or White polycarbonate. Top cover and base: Black or white, high pressure molded ABS. Stand: High lustre chrome plated or black or white, powder coated, steel.

## Sizes and weight

Width x Height x Length (in.) | 21.7 x 51.8 x 21.7 Max 16.3 lbs

## Compliance

cULus, Dry location.

## Light source

A-21/CL medium

## Information

Electrical:

System Wattage: 70W

Delivered lumens: 572 lm

Efficacy: <10 lm/W

Certifications:

cULus, Dry Location

Protection class IP20

Color Rendering: Ra≥90

Actual performance dependent upon screw-base lamp used.



# Product variants

Color	Light source	Voltage frequency
<input checked="" type="radio"/> White opal acrylic/black	A-21/CL medium	120V
<input type="radio"/> White opal acrylic/high lustre chrome plated		
<input type="radio"/> White opal acrylic/white		

# Product description

Portable fixture.  
Terse and iconic design.  
The size of the three shades is adjusted for optimum performance and comfort.  
Top cover is red to add warmth to light distribution.  
Member of a family products of various sizes and type.

---

## Mounting

Portable fixture plugs into standard wall outlet.

---

## Light description

The fixture emits glare free, comfortable light.

---

## Design

Poul Henningsen

---

## Material

Shades: opal acrylic, 1.5mm (0.06") thick.  
Struts: clear polycarbonate.  
Top cover: black and red polycarbonate.  
Base: injection molded black ABS, 1.5mm (0.06") thick.  
Stem: extruded steel, chrome plated, 1.5mm (0.06") thick.  
Switch: on/off, phenolic, on cord.  
Socket: Porcelain, medium base for A-21, frosted envelope lamps.

---

## Weight

Min: 16.33 lbs Max: 16.33 lbs

---

## Finish

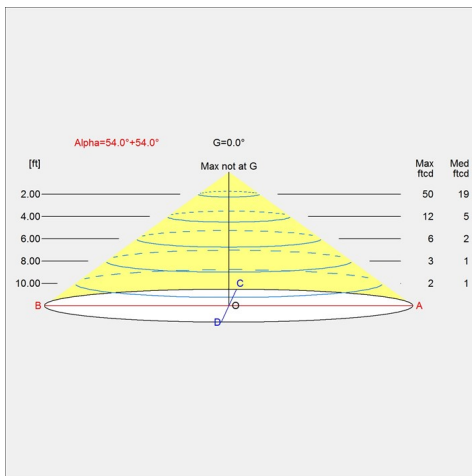
White opal acrylic/black, White opal acrylic/high lustre chrome plated, White opal acrylic/white

# Voltage

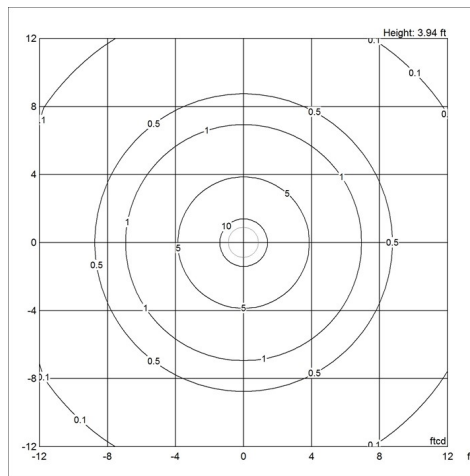
120V

# Light distribution diagrams

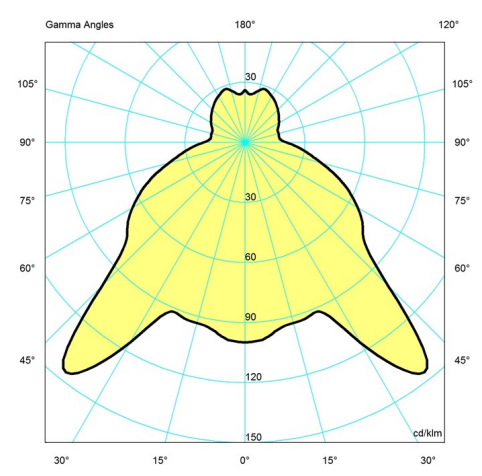
Cartesian



Isolux



Polar



# Spare parts & accessories

Product	Variant number
FOOT SWITCH, ON/OFF, BLACK	571700000
PH 80, TOP SHADE	5744610298
PH 80, MIDDLE SHADE	5744610638
PH 80, LOWER SHADE	5744610641
PH 80, TOP ROUGE/BLACK	5744610667
PH 80, SOCKET COVER W/BRANCH	5744610654
PH 80 TOP WHITE/BLACK	5744611530
PH 80 TOP WHITE/WHITE	5744611556
PH 80 FLOOR REBUILDING SET WHITE	5744611572
PH 80 FLOOR REBUILDING SET BLACK	5744611585
PH 80 FOOT SWITCH W/DIM, BLACK	5744611666
PH 80 FOOT SWITCH W/DIM WHITE	5744611679

