

120-277VAC/24VDC 96W

REMOTE POWER SUPPLY

WAC



Fixture Type: _____

Catalog Number: _____

Project: _____

Location: _____

FINISHES



Black

Model

PS-24DC-U96R-S6

96W 24VDC Class 2 Output Power Supply

Example: PS-24DC-U96R-S6

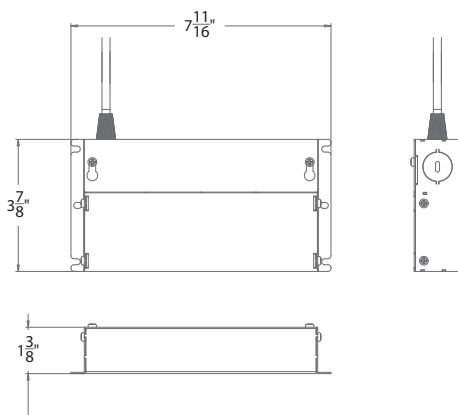
DESCRIPTION

This class 2 UL & cUL listed enclosed electronic power supply is the perfect solution for wiring to DMX LED Controller. Class 2 power supply is intrinsically safer power supply because they are compartmentalized to allow no greater than 4 amps of current and pose no risk for electrical shock. Enclosure cover is easy to remove.

FEATURES

- Short Circuit, over current, over voltage, over temperature protection
- UL Class 2 Output
- Pre-wired output wires ready for DMX LED Controller
- Surface Mount
- 5 years warranty

LINE DRAWING



SPECIFICATIONS

Construction: Metal

Input: 120-277VAC

Output: 24VDC

PF: >0.9

THD: <20%

Mounting: Surface Mount

Dimension: 7 7/8" X 3 7/8" X 1 13/16" (L X W X H)

Rated Life: 50,000 hours

Operating Temp: -4°F to 104°F (-20°C to 40°C)

Standards: UL & cUL listed, Damp Location listed, Title 24 Compliant
FCC Part 15 Class B Compliant

wacighting.com
Phone (800) 526.2588
Fax (800) 526.2585

Headquarters/Eastern Distribution Center
44 Harbor Park Drive
Port Washington, NY 11050

Central Distribution Center
1600 Distribution Ct
Lithia Springs, GA 30122

Western Distribution Center
1750 Archibald Avenue
Ontario, CA 91760