

LCS.3 LIGHT CHANNEL 100° DIFFUSED LENS WITH LAZER STRIP

Diffused Lens provides a greater dispersion of light levels without pixelation



LCS.3 LIGHT CHANNEL 100° CLEAR LENS WITH LAZER STRIP

Clear Lens provides maximum light levels without pixelation



FEATURES & BENEFITS

- The paintable surface mount channel is available in various sizes up to 120", for longer continuous runs use DIY Light Channel .3 Surface Mount
- Lazer Strip: Remote Phosphor Technology eliminates Pixelation.
- Tunable White 2000K-4000K (**2K4K**) grants independent control and adjustment of color temperature and intensity from 2000K (Sunset) through 4000K (Cool White)
- 5 watts per foot
- High CRI offers excellent color-rendering
- 24VDC Low Voltage, Class 2 wiring up to 100 watts
- Remote Power Supplies sold separately
- 50,000 hour lamp life
- 5 year warranty included

For custom quotes and layout assistance, send your drawings and ideas to our design team: design@PureEdgeLighting.com.

LENS OPTIONS

- **(C)** Clear Lens provides maximum illumination use of a 100° transparent clear lens
- **(D)** Diffused White Lens projects clean lines of light 100° eliminating pixelation
- **(G)** Diffused Lens with gel color (**color provided by customer**) Clear and Diffuser Lens are Gel Color Filter Suitable allowing for color personalization. Zircon LED Gel filters recommended. Purchase Gel Lens from www.leefilters.com. See manufacturer spec sheet for more information.

INCLUDED COMPONENTS

- 6" of wire leads at one or both ends of the fixture
- Mounting Clips (Included with every 2' of Channel)

ACCESSORIES (SOLD SEPARATELY)

- Mounting Clips
- Zircon gel filters

REMOTE POWER SUPPLIES*, DIMMERS & CONTROLS (SOLD SEPARATELY)

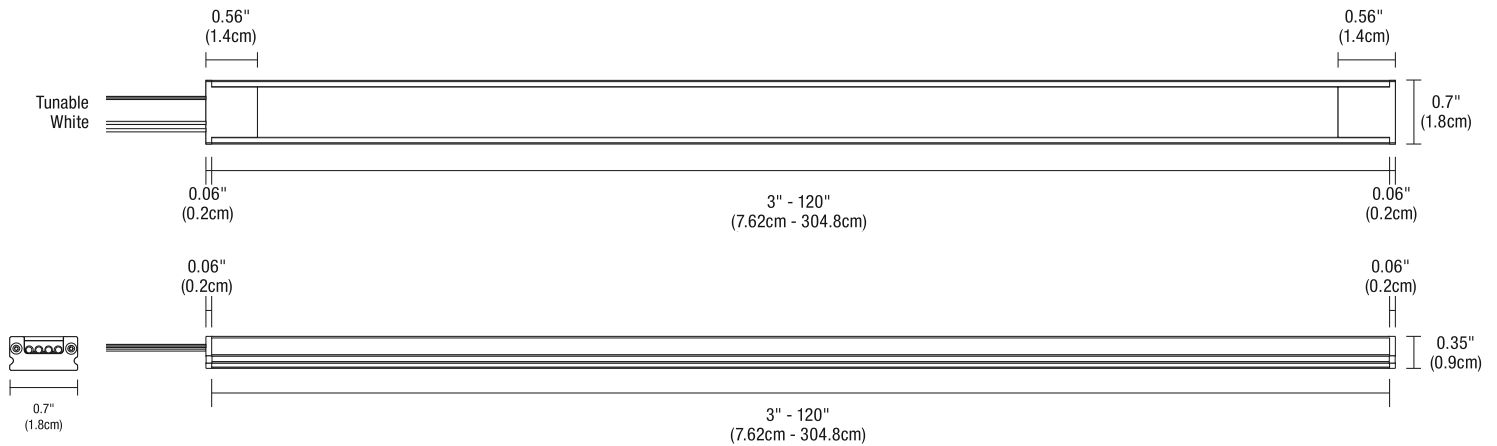
24VDC, Class 2 wiring

- Pure Smart™ WiZ Pro Power Supplies & Controls
 - **0-10V**: Requires two dimmers, one for intensity and one for color temperature
 - **DMX Dynamic Color Changing**: Must be used with PureEdge Controllers
- *In-Wall Mounting and drop ceiling Kits available for select power supplies

APPLICATIONS

- Indoor damp or dry locations
- Suitable for small spaces requiring a channel less than 0.6" tall
- Task lighting, under/above cabinets, coves and retail displays

Product	Wattage	Nominal Size	Lens & Color Temperature	Finish
LCS.3	5W	60	D 2K4K	SA
LCS.3 Light Channel .3 Surface Mount	5W 4.6 watts	3-120 Order in increments up to 120" Exact lengths listed on length chart (page 2)	D Diffused Lens C Clear Lens G Diffused Lens with Gel Color (Provided by Customer)	2K4K Tunable White 2000K-4000K SA Satin Aluminum XX Custom Finish



Lamp Life Is 50,000 Hours

TUNABLE WHITE 2K4K - CLEAR LENS								
WATTS PER FOOT	5W (4.6 watts)							
COLOR TEMPERATURE	20K	22K	24K	27K	30K	35K	40K	
LUMENS PER FOOT (lm/ft)	102	145	188	231	274	224	174	
LUMENS PER WATT (lm/w)	40	47	51	54	56	61	69	
CRI	94+	83+	92+	92+	96+	94+	93+	

TUNABLE WHITE 2K4K - DIFFUSED LENS								
WATTS PER FOOT	5W (4.6 watts)							
COLOR TEMPERATURE	20K	22K	24K	27K	30K	35K	40K	
LUMENS PER FOOT (lm/ft)	79	112	145	178	211	173	135	
LUMENS PER WATT (lm/w)	31	36	39	42	44	47	53	
CRI	94+	83+	92+	92+	96+	94+	93+	

Length Charts: Actual lengths for Light Channel .3 Surface Mount

Nominal Length (in Inches)	Actual Length (in Inches)	Nominal Length (in Inches)	Actual Length (in Inches)	Nominal Length (in Inches)	Actual Length (in Inches)	Nominal Length (in Inches)	Actual Length (in Inches)	Nominal Length (in Inches)	Actual Length (in Inches)
3	3.4	29	29.8	56	56.2	72	73.0	99	99.4
5	5.8	32	32.2	58	58.6	75	75.4	101	101.8
8	8.2	34	34.6	51	51.4	77	77.8	104	104.2
10	10.6	36	37.0	53	53.8	80	80.2	106	106.6
12	13.0	39	39.4	56	56.2	82	82.6	108	109.0
15	15.4	41	41.8	58	58.6	84	85.0	111	111.4
17	17.8	44	44.2	60	61.0	87	87.4	118	118.6
20	20.2	46	46.6	63	63.4	89	89.8	120	121.0
22	22.6	48	49.0	65	65.8	92	92.2		
24	25.0	51	51.4	68	68.2	94	94.6		
27	27.4	53	53.8	70	70.6	96	97.0		

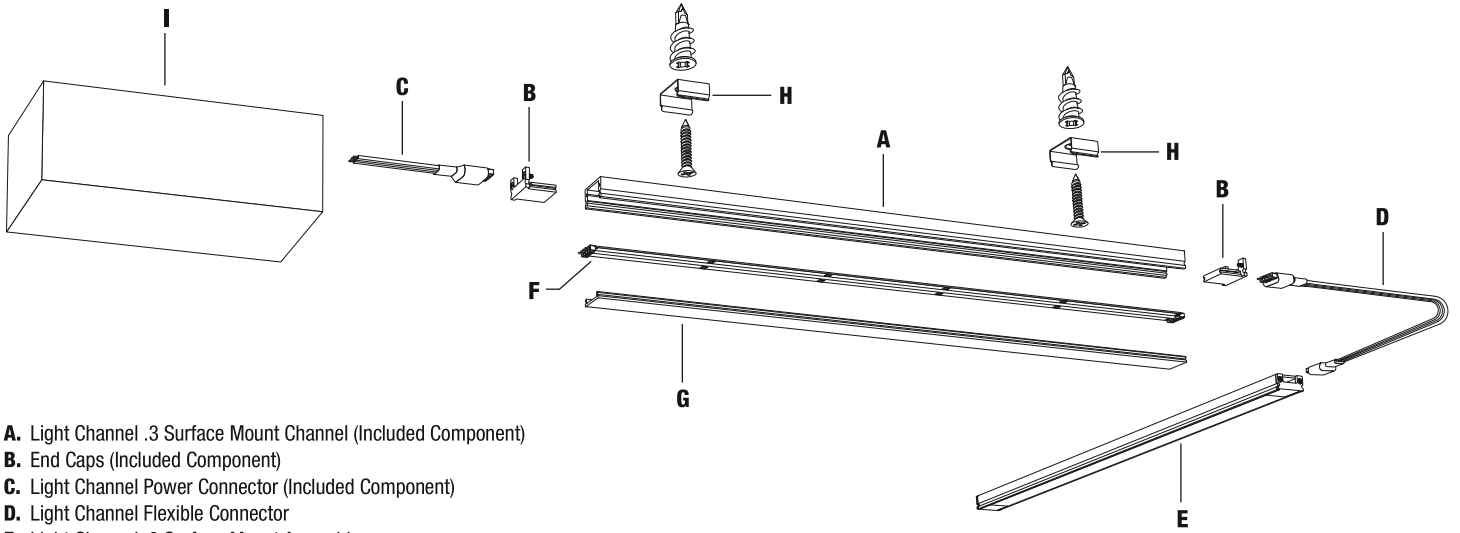
FOOT CANDLE CHARTS

30K 5W DIFFUSED LENS			30K 5W CLEAR LENS		
DISTANCE	BEAM	FOOT CANDLE	DISTANCE	BEAM	FOOT CANDLE
12in	15in	201 FC	12in	15in	273 FC
18in	21in	110 FC	18in	21in	145 FC
24in	29in	70 FC	24in	29in	91 FC
36in	42in	35 FC	36in	42in	44 FC

*Foot Candle Data is based off 4' Channel.

PROJECT		FIXTURE TYPE		DATE	
---------	--	--------------	--	------	--

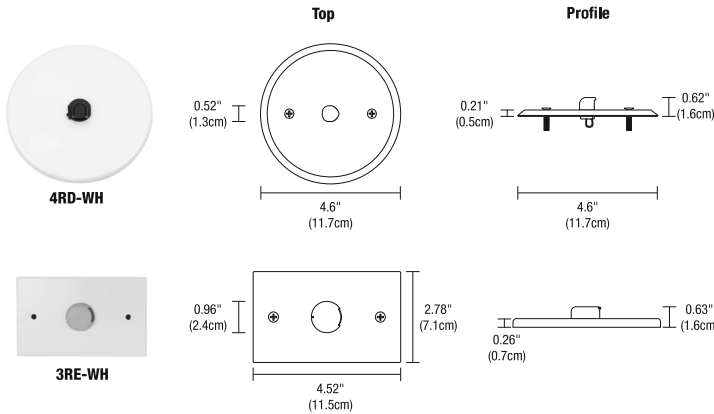
Included Components: Indoor Light Channel .3 Surface Mount system overview



- A.** Light Channel .3 Surface Mount Channel (Included Component)
- B.** End Caps (Included Component)
- C.** Light Channel Power Connector (Included Component)
- D.** Light Channel Flexible Connector
- E.** Light Channel .3 Surface Mount Assembly
- F.** LED Lazer Strip (Included Component)
- G.** Lens (Included Component)
- H.** Mounting Clips (Included Component with every 2' of channel)
- I.** Remote Power Supply (Sold Separately)

CANOPY COVER & SPLICE BOX

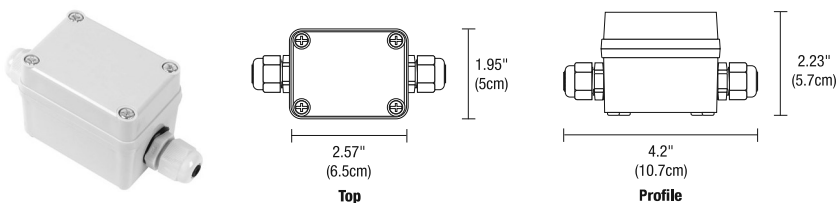
Use for remote located power supply. The 3 inch rectangle or 4 inch round white canopy covers the electrical box and feeds wires for Light Channel. The Splice Box provides a safe enclosure for low voltage connections.



Product	Finish
3RE	WH
3RE 3" Rectangle Canopy Cover	WH White
4RD 4" Round Canopy Cover	

JUNCTION BOX

Low voltage Splice Box with connectors.



Product	Type	Option
2RE	JBOX	W
2RE 2" Rectangle	JBOX Junction Box	W Wet Location

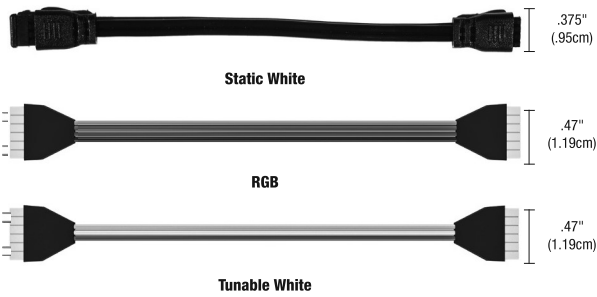
PROJECT		FIXTURE TYPE		DATE	
---------	--	--------------	--	------	--



POWER FEED CONNECTOR

Female power feed connector cord conducts power from the power supply to the male end of the Lazer strip.

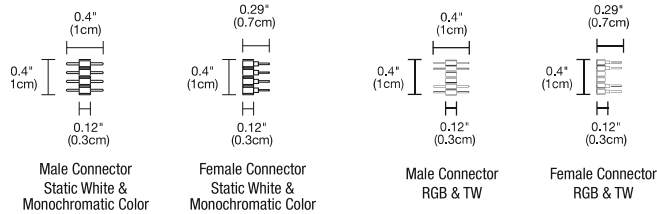
System	Type	Size	Color Temperature
LS	PFE	12FT	
LS Lazer Strip	PFE Power Feed Connector Cord	6FT 6 Feet 8FT 8 Feet 12FT 12 Feet	RGB Red, Green, & Blue TW Tunable White Leave Blank for Static White and Monochromatic Color



FLEXIBLE CONNECTOR

Flexible connectors link two sections of Lazer Strip end to end.

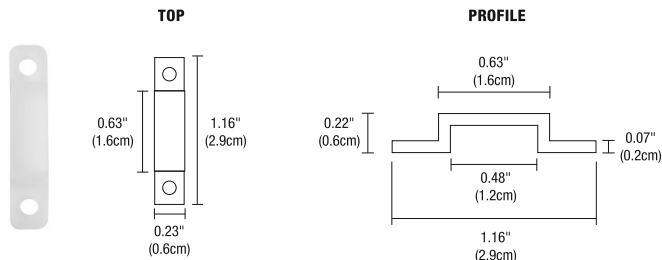
System	Product	Type	Size	Color Temperature
LS	CFX	CON	12IN	
LS Lazer Strip	CFX Flexible Connector	CON Connector	12IN 12 inches 72IN 72 inches	RGB Red, Green, & Blue TW Tunable White Leave Blank for Static White and Monochromatic Color



PIN CONNECTORS

Extra soldering pin connectors. Male and female.

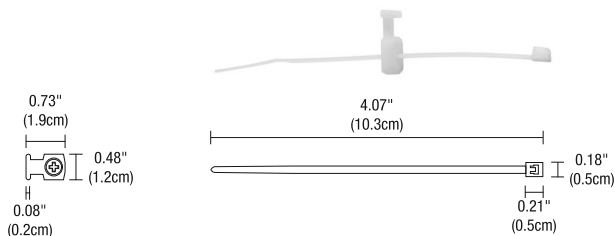
System	Product	Type	Color Temperature
LS	ML	CON	
LS Lazer Strip	FE Female Connector ML Male Connector	CON Connector	RGB Red, Green & Blue (Tunable White compatible) Leave Blank for Static White and Monochromatic Color



LAZER STRIP U-STRAP

Use every 6 - 12 inches for extra support (30/package).

Product	Type
SS	SU
SS Strip Strap	SU U-Strap



LAZER STRIP TIE STRAP

Use every 6 - 12 inches for extra support (30/package).

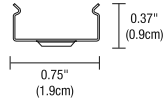
Product	Type
SS	ST
SS Strip Strap	ST Tie Strap

PROJECT	FIXTURE TYPE	DATE
---------	--------------	------

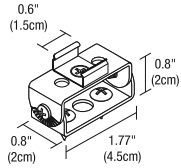
Accessories: Indoor Light Channel .3 Surface Mount, order based on lighting design or as replacement parts



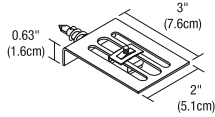
LCS.6-MCL



LCS.6-MCL



LCS.6-MCL-075

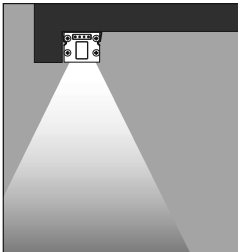


LCS.6-MCL-90

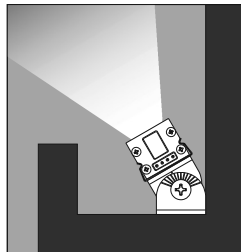
MOUNTING CLIPS

LC-MCL mounting clips are provided with every two feet of Light Channel and may be ordered separately as replacement parts. The LC-MCL-075 rotates Light Channel up to 75 degrees. LC-MCL-90 mounts Light Channel at a 90 degree angle.

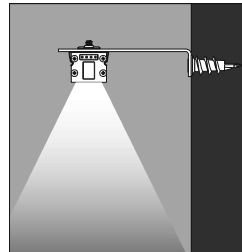
System	Product	Type
LCS.6	MCL	STANDARD (LEAVE BLANK)
LCS.6 Light Channel 0.6" Surface Mount	MCL Mounting Clip	075 Adjusts 0-75° 90 Adjusts 90°



SHOWN WITH LCS.6-MCL



SHOWN WITH LCS.6-MCL-075

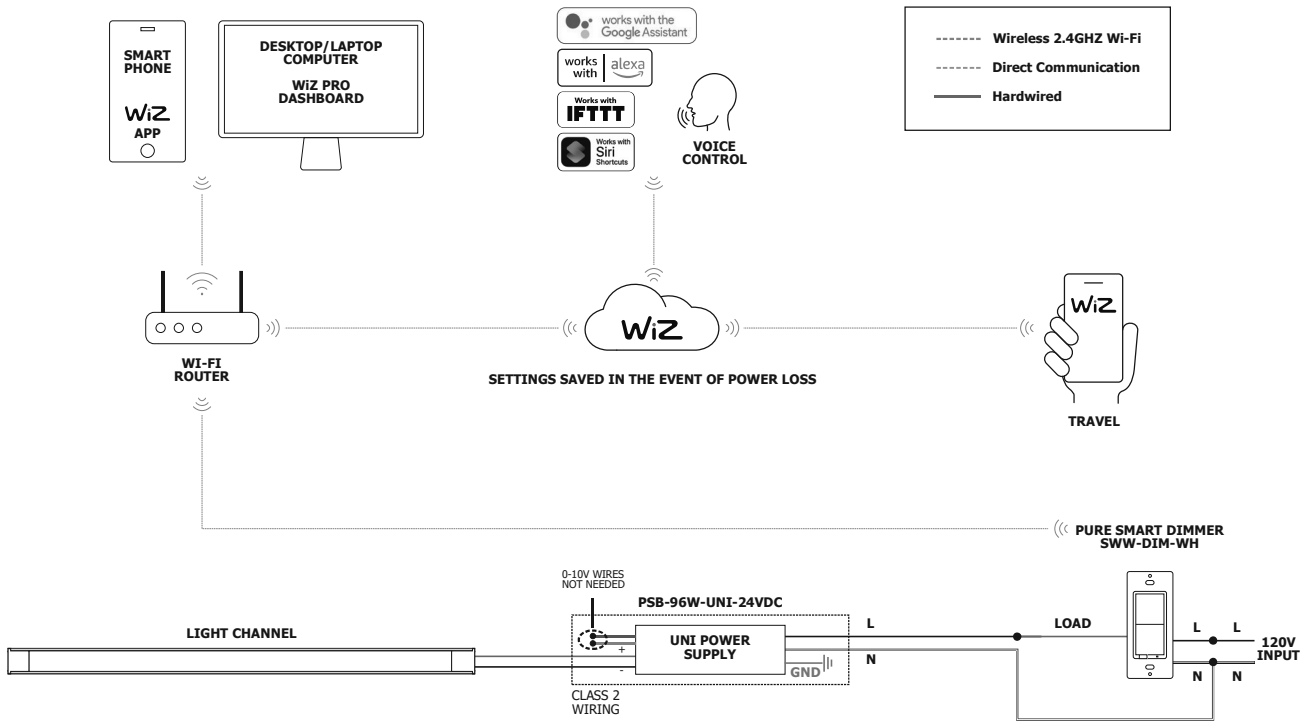


SHOWN WITH LCS.6-MCL-90

PROJECT		FIXTURE TYPE		DATE	
---------	--	--------------	--	------	--

NETWORK TOPOLOGY

PURE SMART™ Dimmer



PROJECT		FIXTURE TYPE		DATE	
---------	--	--------------	--	------	--

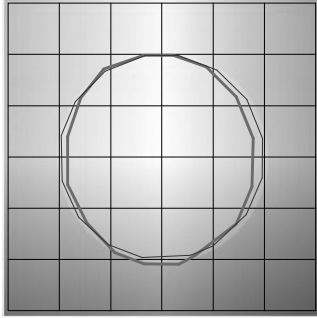
TM30 DATA

24VDC 5W, LAZER STRIP COB™ TUNABLE WHITE

TM-30-15 DATA: The data below is for bare Lazer Strip. Consistent color temperatures throughout a single strip and among multiple strips is possible through a 3 phase binning process in which each order is inspected with a color meter to ensure uniformity.

2000K ONLY (2K6K) | Rf: 84.3 | Rg: 96.9

Color Vector Graphic

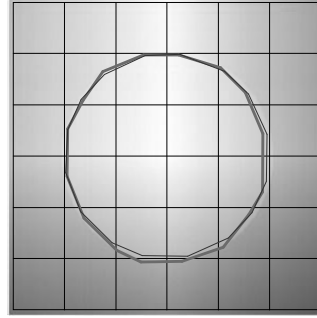


■ Test ■ Reference

HUE BIN	Rf	GRAPHIC SHIFTS %	
		CHROMA	HUE
1	80.3	-8.9%	1.7%
2	79.7	-7.0%	7.8%
3	78.9	-2.9%	10.0%
4	89.5	-0.5%	5.1%
5	94.4	0.7%	1.7%
6	92.1	2.4%	-0.3%
7	89.4	-2.4%	-5.9%
8	89.7	-6.4%	-0.2%
9	86.0	-4.9%	4.6%
10	81.8	-3.4%	9.3%
11	83.1	3.3%	9.7%
12	85.8	5.6%	3.3%
13	85.6	6.2%	-12.8%
14	61.7	-1.9%	-19.0%
15	79.7	-3.3%	-12.9%
16	78.1	-7.9%	-10.6%

3000K (2K6K) | Rf: 90.2 | Rg: 101.4

Color Vector Graphic

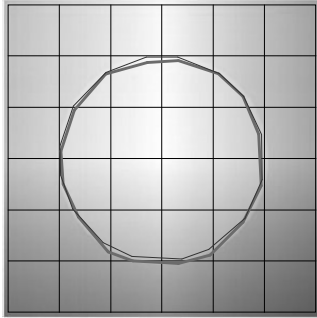


■ Test ■ Reference

HUE BIN	Rf	GRAPHIC SHIFTS %	
		CHROMA	HUE
1	90.9	-3.8%	1.3%
2	91.7	-1.9%	3.3%
3	88.7	0.7%	5.1%
4	92.4	-1.0%	0.7%
5	92.9	0.9%	1.7%
6	93.1	3.3%	-0.6%
7	91.0	-1.8%	-0.4%
8	97.0	0.2%	-1.1%
9	92.8	-0.5%	3.6%
10	88.3	1.0%	7.0%
11	87.1	3.8%	7.8%
12	87.6	6.5%	-0.3%
13	89.3	3.6%	-6.3%
14	86.1	4.5%	-9.1%
15	91.6	-1.9%	-3.1%
16	83.8	-1.5%	-11.2%

6500K ONLY (2K6K) | Rf: 89.6 | Rg: 99.1

Color Vector Graphic



■ Test ■ Reference

HUE BIN	Rf	GRAPHIC SHIFTS %	
		CHROMA	HUE
1	91.3	-2.5%	1.0%
2	95.3	-0.5%	0.5%
3	94.3	-0.7%	1.1%
4	91.1	-3.4%	-1.1%
5	89.5	-5.6%	0.0%
6	94.6	-1.4%	1.3%
7	93.2	-3.0%	2.6%
8	91.3	-1.8%	4.6%
9	86.5	-0.9%	9.1%
10	83.3	-0.5%	9.5%
11	83.3	4.9%	9.0%
12	89.7	4.1%	1.7%
13	90.1	3.6%	-4.3%
14	93.4	5.2%	-2.1%
15	87.4	0.4%	-4.3%
16	86.6	0.4%	-6.1%

PROJECT		FIXTURE TYPE		DATE	
---------	--	--------------	--	------	--