

LIGHT CHANNEL COMPLETE FIXTURE 0.6" RECESSED MILLWORK

24VDC, STATIC WHITE



DESCRIPTION

Light Channel .6" Recessed Millwork is tailored for projects requiring a seamless design with ample illumination. The shallow profile integrates into various depths of millwork, while the flat 1/8" finished flange offers a minimal aesthetic, enhancing spaces with depth and dimension, seamlessly blending into the architecture while delivering premium task lighting for applications like under cabinets, bathrooms, work surfaces, and more. Light Channel .6" Recessed Millwork is made-to-order, offered in 2, 5, or 7 watts per foot, and multiple static white color temperatures from **2400K** to **4000K**, with up to 95 CRI, ensuring outstanding color rendering. Available with a diffused white lens or clear lens for maximum light levels, with black or white louver options. Order in 2" or 3" increments from 12" up to 120"(10'). Click here for all [Other Color Temperatures](#). Our Light Channels provide high-quality illumination and are simple to specify and install, making it easy to elevate any space; for Field cuttable runs, see DIY spec sheet. Includes a 5-year pro-rated warranty. For custom quotes and layout assistance, send your drawings and ideas to our design team: design@PureEdgeLighting.com

FEATURES AND BENEFITS

- Low voltage, 24VDC Power supplies can be remotely located up to 40' away provides installation flexibility
- Slim recessed aluminum profile easily and seamlessly installs into a broad range of millwork applications
- 95+ CRI Warm-Dim strip offers outstanding color accuracy while granting color temperature control through dimming
- Several lens options and multiple finishes provide enhanced flexibility and customization
- Class 2 wiring, eliminates the need for conduit

LENS OPTIONS

- 40° Clear Lens (**C**)
- Clear Lens White Louver (**CLW**)
- Clear Lens Black Louver (**CLB**)
- 100° Diffused White Lens (**D**)
- Diffused Lens White Louver (**DLW**)
- Diffused Lens Black Louver (**DLB**)
- Diffused Lens with Gel Color Filter (**G**) (Provided by Customer)

LAMP

- Offered in multiple Static White Color Temperatures: **2400K, 2700K, 3000K, 3500K & 4000K**
- Lumen Performance: 586lm/ft at 3000K 7W per foot
- 95+ CRI
- Average life: 50,000 hours
- For additional color temperatures refer to other specifications

INCLUDED COMPONENTS

- 72" Power Connector (Included 1 per fixture). Order extra as needed based on your installation requirements
- Mounting Clips (Included with every 2' of Channel)

REMOTE POWER SUPPLIES*, DIMMERS & CONTROLS (SOLD SEPARATELY)

24VDC, Class 2 wiring

- Pure Smart™ WiZ Pro [Power Supplies & Controls](#)
- [UNI Driver: Universal Dimming \(ELV, TRIAC, 0-10V\)](#)
ELV & TRIAC [Smart Dimmer & Switch](#)
- [Lutron Hi-Lume/Ecosystem](#)

*In-wall mounting and drop ceiling kits available for select power supplies

COMPLIANCE

*Title 24 JA8 listed for 2700K CCT and above when used with PureEdge remote Universal power supplies, ETL, Class 2, Damp Location, Made in USA.

APPLICATIONS

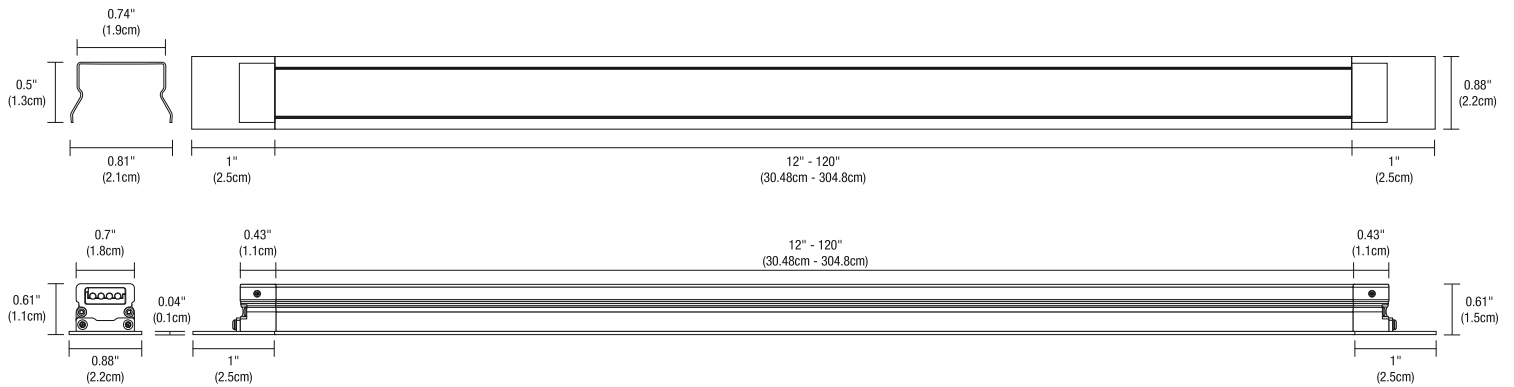
Designed for indoor use only. Wall grazing for textured surfaces such as architectural wall panels, hallways, brick, stone, wood and more within residential, commercial, retail, and hospitality environments.

Product	Wattage	Nominal Size	Lens	Color Temperature	Finish
LCMW.6	2W	60	D	27K	BZ
LCMW.6 Light Channel 0.6" Millwork	2W 2.5 watts 5W 4.4 watts 7W 7.3 watts	12-120 Available from 12" to 120" in 2" or 3" increments. See chart for exact lengths.	D Diffuser Lens C Clear Lens G Gel Lens DLW Diffused Lens with White Louver DLB Diffused Lens with Black Louver CLW Clear Lens with White Louver CLB Clear Lens with Black Louver	24K 2400K Very Warm White 27K 2700K Incandescent White 30K 3000K Warm White 35K 3500K Neutral White 40K 4000K Cool White	BZ Antique Bronze SA Satin Aluminum WH White

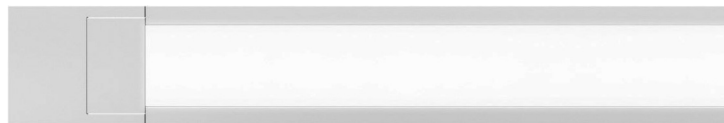
PROJECT	FIXTURE TYPE	DATE
---------	--------------	------

LIGHT CHANNEL COMPLETE FIXTURE 0.6" RECESSED MILLWORK

24VDC, STATIC WHITE



LENS OPTIONS



LCMW.6 LIGHT CHANNEL 61° DIFFUSED LENS White Diffused Lens projects clean lines of light, eliminating pixelation



LCMW.6 LIGHT CHANNEL 26° CLEAR LENS Clear Lens provides maximum light levels and will show slight pixelation



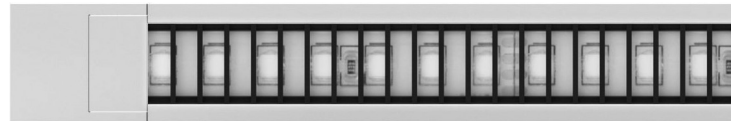
LCMW.6 LIGHT CHANNEL DIFFUSED WHITE LENS WITH WHITE LOUVER



LCMW.6 LIGHT CHANNEL DIFFUSED LENS WITH BLACK LOUVER



LCMW.6 LIGHT CHANNEL CLEAR LENS WITH WHITE LOUVER



LCMW.6 LIGHT CHANNEL CLEAR LENS WITH BLACK LOUVER



LCMW.6 LIGHT CHANNEL DIFFUSED LENS WITH GEL COLOR FILTER (PROVIDED BY CUSTOMER)

Clear and Diffuser Lenses are Gel Color Filter Suitable allowing for color personalization. Zircon LED Gel filters are recommended and can be purchased from www.leefilters.com. Gel filter life is 5,000 hours before needing to be changed

FOOT CANDLE CHARTS

30K 100° 5W DIFFUSED LENS		
DISTANCE	BEAM	FOOT CANDLE
12"	29"	240
18"	43"	106
24"	57"	60
36"	86"	26

30K 40° 5W CLEAR LENS		
DISTANCE	BEAM	FOOT CANDLE
12"	8"	720
18"	13"	320
24"	18"	180
36"	26"	80

PROJECT		FIXTURE TYPE		DATE	
---------	--	--------------	--	------	--

LIGHT CHANNEL COMPLETE FIXTURE 0.6" RECESSED MILLWORK

24VDC, STATIC WHITE

REV 07.16.24

NOMINAL DELIVERED LUMENS

DIFFUSED LENS															
WATTS PER FOOT	2W (2.5 watts)					5W (4.4 watts)					7W (7.3 watts)				
COLOR TEMPERATURE	24K	27K	30K	35K	40K	24K	27K	30K	35K	40K	24K	27K	30K	35K	40K
LUMENS PER FOOT (lm/ft)	120	121	127	145	153	222	225	234	268	283	343	347	361	415	437
LUMENS PER WATT (lm/w)	48	49	51	58	61	51	51	53	61	64	47	48	49	57	60
CRI	90+	95+	95+	85+	85+	90+	95+	95+	85+	85+	90+	95+	95+	85+	85+

CLEAR FROSTED LENS															
WATTS PER FOOT	2W (2.5 watts)					5W (4.4 watts)					7W (7.3 watts)				
COLOR TEMPERATURE	24K	27K	30K	35K	40K	24K	27K	30K	35K	40K	24K	27K	30K	35K	40K
LUMENS PER FOOT (lm/ft)	141	142	148	170	179	260	263	274	315	332	402	407	423	486	512
LUMENS PER WATT (lm/w)	56	57	59	68	72	59	60	62	71	75	55	56	58	67	70
CRI	90+	95+	95+	85+	85+	90+	95+	95+	85+	85+	90+	95+	95+	85+	85+

WHITE LOUVER CLEAR FROSTED															
WATTS PER FOOT	2W (2.5 watts)					5W (4.4 watts)					7W (7.3 watts)				
COLOR TEMPERATURE	24K	27K	30K	35K	40K	24K	27K	30K	35K	40K	24K	27K	30K	35K	40K
LUMENS PER FOOT (lm/ft)	94	95	99	113	120	174	175	183	210	221	268	271	282	324	342
LUMENS PER WATT (lm/w)	38	38	40	45	48	39	40	42	48	50	37	37	39	44	47
CRI	90+	95+	95+	85+	85+	90+	95+	95+	85+	85+	90+	95+	95+	85+	85+

WHITE LOUVER DIFFUSED															
WATTS PER FOOT	2W (2.5 watts)					5W (4.4 watts)					7W (7.3 watts)				
COLOR TEMPERATURE	24K	27K	30K	35K	40K	24K	27K	30K	35K	40K	24K	27K	30K	35K	40K
LUMENS PER FOOT (lm/ft)	80	81	84	97	102	148	150	156	179	189	229	231	241	276	291
LUMENS PER WATT (lm/w)	32	32	34	39	41	34	34	35	41	43	31	32	33	38	40
CRI	90+	95+	95+	85+	85+	90+	95+	95+	85+	85+	90+	95+	95+	85+	85+

BLACK LOUVER CLEAR FROSTED															
WATTS PER FOOT	2W (2.5 watts)					5W (4.4 watts)					7W (7.3 watts)				
COLOR TEMPERATURE	24K	27K	30K	35K	40K	24K	27K	30K	35K	40K	24K	27K	30K	35K	40K
LUMENS PER FOOT (lm/ft)	53	54	56	64	68	99	100	104	119	125	152	154	160	184	194
LUMENS PER WATT (lm/w)	21	22	22	26	27	22	23	24	27	29	21	21	22	25	27
CRI	90+	95+	95+	85+	85+	90+	95+	95+	85+	85+	90+	95+	95+	85+	85+

BLACK LOUVER DIFFUSED															
WATTS PER FOOT	2W (2.5 watts)					5W (4.4 watts)					7W (7.3 watts)				
COLOR TEMPERATURE	24K	27K	30K	35K	40K	24K	27K	30K	35K	40K	24K	27K	30K	35K	40K
LUMENS PER FOOT (lm/ft)	45	46	48	55	58	84	85	88	102	107	130	131	137	157	165
LUMENS PER WATT (lm/w)	18	18	19	22	23	19	19	20	23	24	18	18	19	21	23
CRI	90+	95+	95+	85+	85+	90+	95+	95+	85+	85+	90+	95+	95+	85+	85+

LENGTH CHART: Actual lengths for Light Channel .6 Millwork

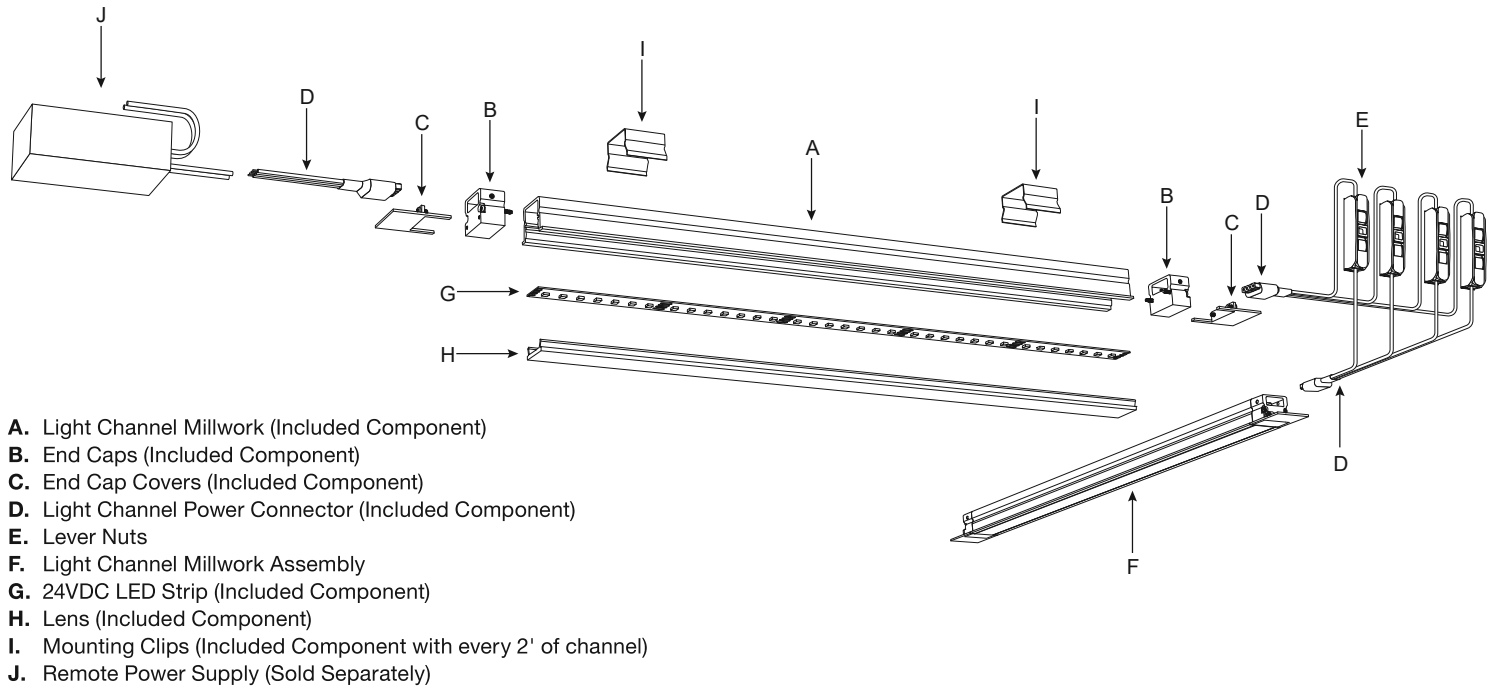
STATIC WHITE											
Ordering Code (Nominal Size)	Illuminated Length (Inches)	Overall Recessed Length (Inches)	Overall Length with End Caps (Inches)	Ordering Code (Nominal Size)	Illuminated Length (Inches)	Overall Recessed Length (Inches)	Overall Length with End Caps (Inches)	Ordering Code (Nominal Size)	Illuminated Length (Inches)	Overall Recessed Length (Inches)	Overall Length with End Caps (Inches)
12	12.0	12.9	14.0	48	48.0	49.0	50.0	84	84.0	85.0	86.0
15	14.4	15.4	16.4	51	50.4	51.4	52.4	87	86.4	87.4	88.4
17	16.8	17.8	18.8	53	52.8	53.8	54.8	89	88.8	89.8	90.8
20	19.2	20.2	21.2	56	55.2	56.2	57.2	92	91.2	92.2	93.2
22	21.6	22.6	23.6	58	57.6	58.6	59.6	94	93.6	94.6	95.6
24	24.0	25.0	26.0	60	60.0	61.0	62.0	96	96.0	97.0	98.0
27	26.4	27.4	28.4	63	62.4	63.4	64.4	99	98.4	99.4	100.4
29	28.8	29.8	30.8	65	64.8	65.8	66.8	101	100.8	101.8	102.8
32	31.2	32.2	33.2	68	67.2	68.2	69.2	104	103.2	104.2	105.2
34	33.6	34.6	35.6	70	69.6	70.6	71.6	106	105.6	106.6	107.6
36	36.0	37.0	38.0	72	72.0	73.0	74.0	108	108.0	109.0	110.0
39	38.4	39.4	40.4	75	74.4	75.4	76.4	111	110.4	111.4	112.4
41	40.8	41.8	42.8	77	76.8	77.8	78.8	113	112.8	113.8	114.8
44	43.2	44.2	45.2	80	79.2	80.2	81.2	116	115.2	116.2	117.2
46	45.6	46.6	47.6	82	81.6	82.6	83.6	118	117.6	118.6	119.6
								120	120.0	121.0	122.0

PROJECT		FIXTURE TYPE		DATE	
---------	--	--------------	--	------	--

LIGHT CHANNEL COMPLETE FIXTURE 0.6" RECESSED MILLWORK

24VDC, STATIC WHITE

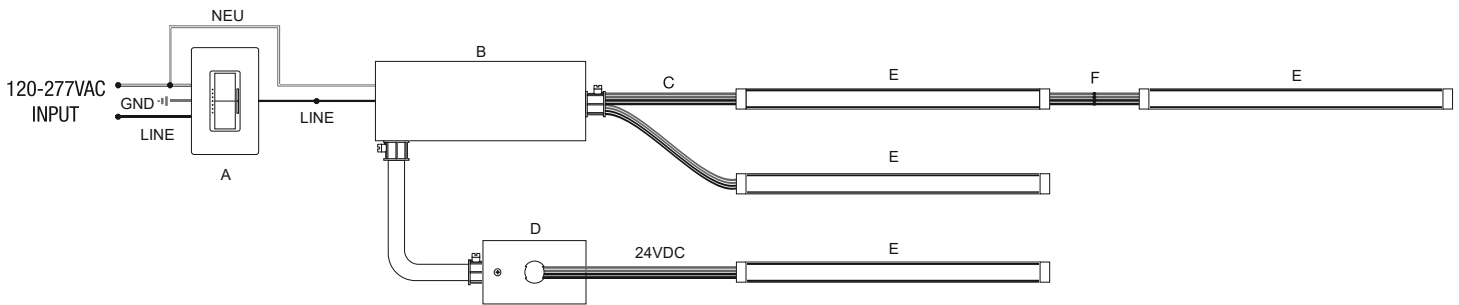
Components: Light Channel .6 Surface Mount system overview



WIRING DIAGRAM Electronic Low Voltage (ELV) dimming for Light Channel .6 Millwork System

Power Supply: 120VAC input, 24VDC 96 watt output

Dimming: Dimmable with low voltage electronic dimmer using power supply above. See power supply spec sheet for additional details. Lutron: Diva DVELV-300P; Skylark SELV-300P; Maestro MAELV-600 dimmers are recommended.



- A. Dimmer (ELV Dimmer shown)
- B. 96W 24VDC Power Supply
- C. Light Channel Power Connector SS-FE-CON-72IN-DW
- D. 3" Rectangle Canopy Cover 3RE-WH
- E. Light Channel Fixture
- F. Light Channel Flexible Connector SS-CFX-CON-__-DW

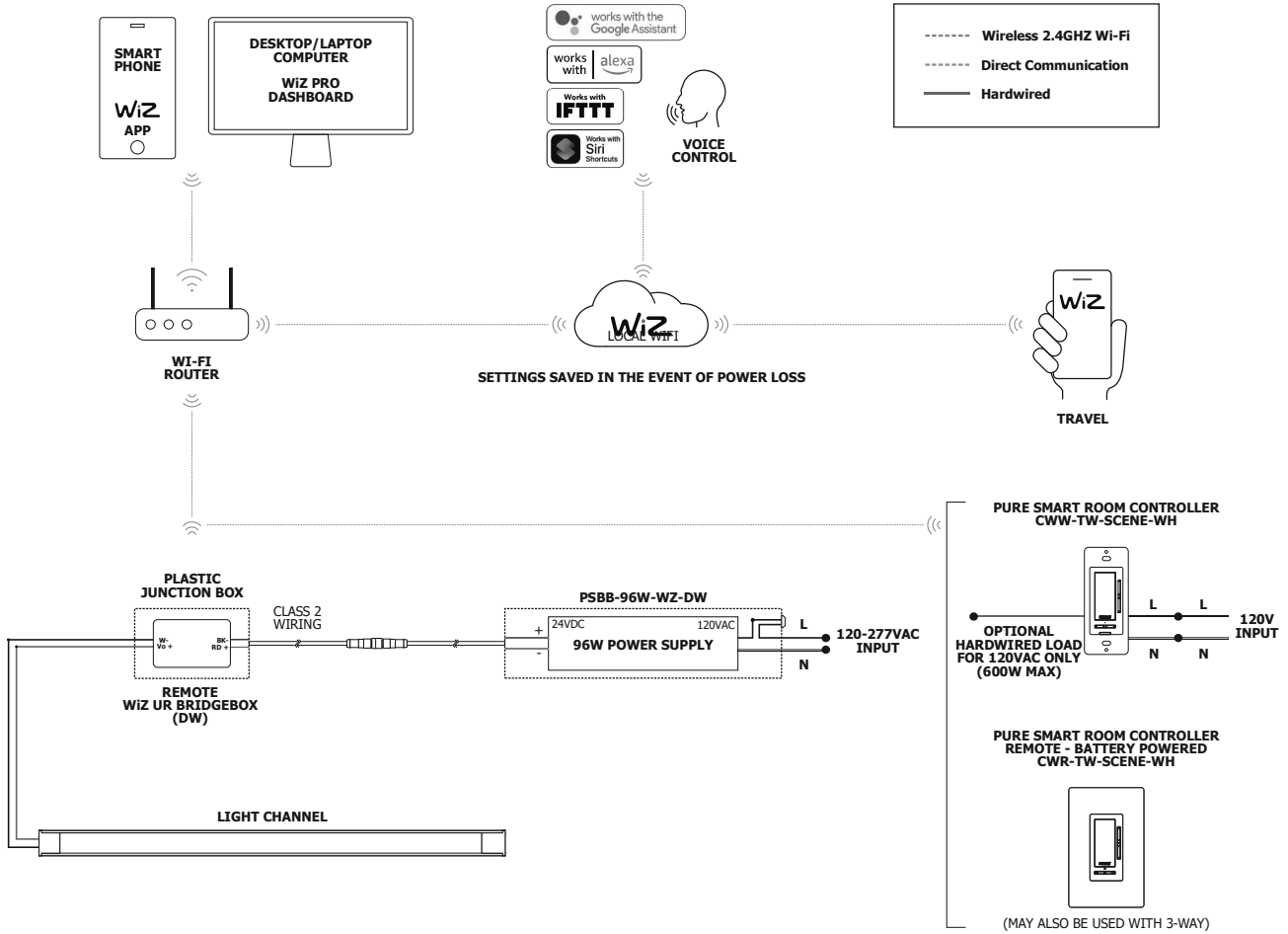
PROJECT		FIXTURE TYPE		DATE	
---------	--	--------------	--	------	--

LIGHT CHANNEL COMPLETE FIXTURE 0.6" RECESSED MILLWORK

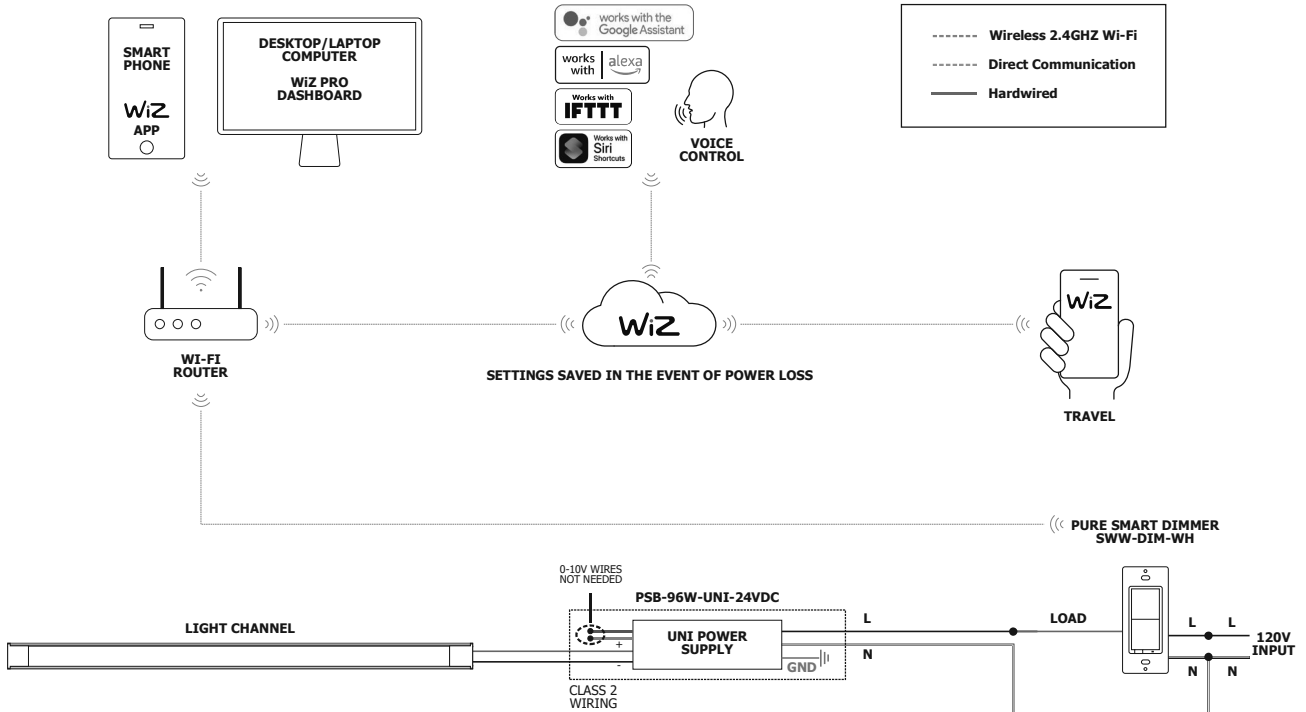
24VDC, STATIC WHITE

REV 07.16.24

Network Topography Using Pure Smart Power Supply:

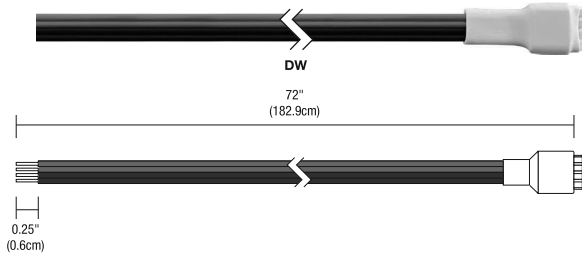


Network Topography Using Uni Driver:



PROJECT		FIXTURE TYPE		DATE	
---------	--	--------------	--	------	--

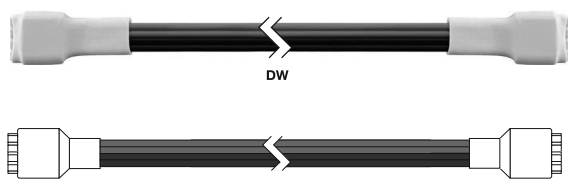
Accessories: Order based on your lighting design specifications or as replacement parts.



LIGHT CHANNEL POWER CONNECTOR

One Female Power Connector is included with each order of channel. For jumper connections, use our Flexible Connector or WAGO 221 lever nuts according to your specific application requirements.

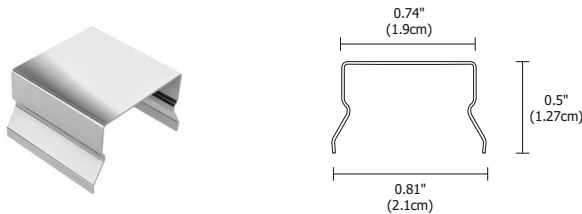
System	Type	Product	Length	Color Temperature
SS	FE	CON	72IN	DW
SS Stomp Strip/Soft Strip	FE Female Pin	CON Connector	72IN 72"	DW Static White



FLEXIBLE CONNECTOR

Flexible connectors link two sections of the Light Channel end to end. WAGO 221 lever nuts can also be used as jumper connections according to your specific application requirements.

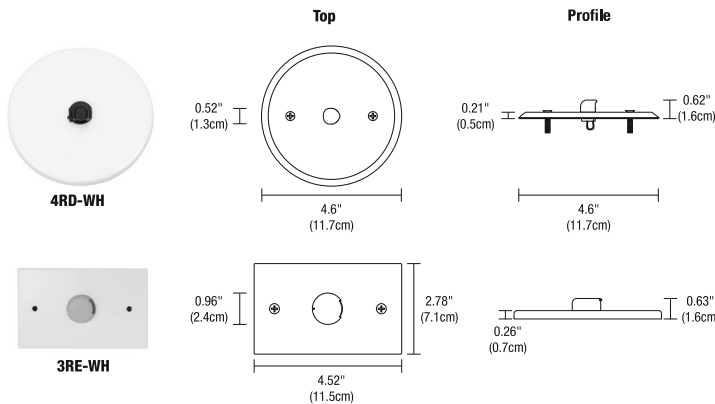
System	Type	Product	Size	Color Temperature
SS	CFX	CON	12IN	DW
SS Stomp Strip/Soft Strip	CFX Flexible Connector	CON Connector	12IN 12 Inches 72IN 72 Inches	DW Static White



MOUNTING CLIP

Light Channel comes with standard Mounting Clips. LCMW.6 Mounting Clips are provided with every 2' of Light Channel.

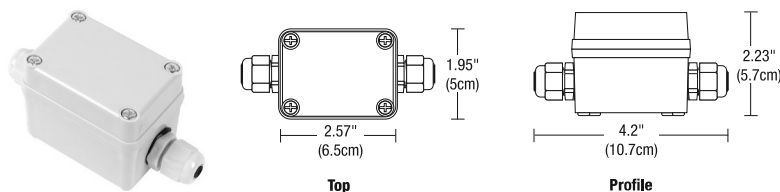
System	Product
LCMW.6	MCL
LCMW.6 Light Channel 0.6" Surface Millwork	MCL Mounting Clip



CANOPY COVER & SPLICE BOX

Use for remote located power supply. The 3 inch rectangle or 4 inch round white canopy covers the electrical box and feeds wires for Light Channel. The Splice Box provides a safe enclosure for low voltage connections.

Product	Finish
3RE	WH
3RE 3" Rectangle Canopy Cover 4RD 4" Round Canopy Cover	WH White



JUNCTION BOX

Low voltage Splice Box with connectors.

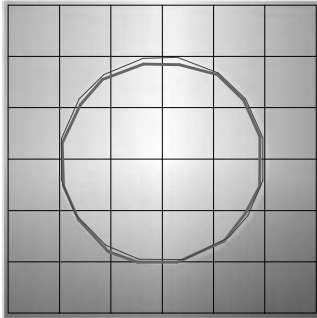
Product	Type	Option
2RE	JBOX	W
2RE 2" Rectangle	JBOX Junction Box	W Wet Location

PROJECT	FIXTURE TYPE	DATE
---------	--------------	------

TM-30-15 DATA: The data below is for bare LED Static White Strip. Consistent color temperatures throughout a single strip and among multiple strips is possible through a 3 phase binning process in which each order is inspected with a color meter to ensure uniformity.

2400K | Rf: 84.5 | Rg: 94.4

Color Vector Graphic

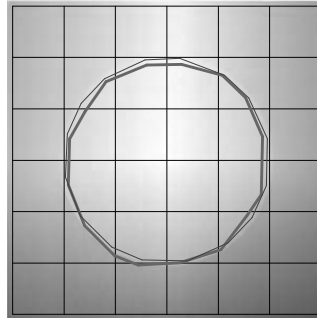


■ Test ■ Reference

HUE BIN	Rf	GRAPHIC SHIFTS %	
		CHROMA	HUE
1	92	-2.4%	1.5%
2	94.7	-2.1%	-0.0%
3	95.4	-1.9%	-0.1%
4	88.7	-6.7%	-3.1%
5	92.8	-5.6%	1.0%
6	92.7	-3.4%	3.4%
7	89.9	-4.3%	4.1%
8	92.4	-1.4%	4.4%
9	89	-0.6%	5.8%
10	88.9	0.4%	6.2%
11	89.7	4.0%	5.4%
12	92.6	3.0%	-0.7%
13	90.9	1.1%	-7.0%
14	89.9	0.5%	-5.8%
15	92.1	-3.2%	0.1%
16	88.9	-1.7%	-6.3%

2700K | Rf: 87.7 | Rg: 96.1

Color Vector Graphic

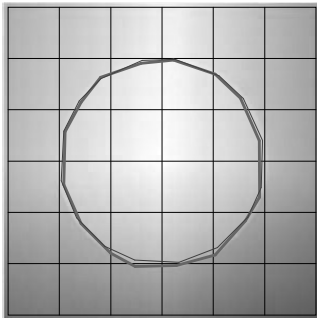


■ Test ■ Reference

HUE BIN	Rf	GRAPHIC SHIFTS %	
		CHROMA	HUE
1	88.0	-4.3%	2.6%
2	91.6	-2.4%	2.0%
3	93.7	-1.4%	1.9%
4	88.9	-5.6%	-3.1%
5	92.3	-5.5%	-0.5%
6	92.9	-3.5%	0.1%
7	84.5	-7.5%	4.6%
8	90.8	-3.0%	4.4%
9	84.5	-1.3%	8.3%
10	83.9	2.0%	9.8%
11	87.2	5.3%	7.1%
12	89.2	5.4%	-2.6%
13	88.7	0.3%	-7.8%
14	86.8	1.7%	-9.3%
15	87.6	-5.4%	-1.3%
16	83.6	-3.3%	-9.5%

3000K | Rf: 88.1 | Rg: 99.7

Color Vector Graphic

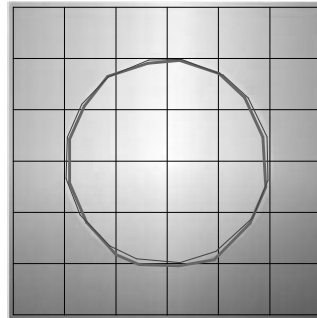


■ Test ■ Reference

HUE BIN	Rf	GRAPHIC SHIFTS %	
		CHROMA	HUE
1	92.5	-3.1%	0.3%
2	93.3	-2.3%	1.9%
3	90.9	-0.8%	3.9%
4	94.3	-1.1%	1.4%
5	92.5	-2.6%	1.5%
6	96.4	1.2%	-0.3%
7	92.6	-2.5%	-0.0%
8	96.9	-1.4%	0.2%
9	92.3	-1.8%	4.3%
10	86.6	-0.7%	7.0%
11	86.5	2.4%	8.2%
12	89.8	5.9%	1.7%
13	93.9	2.6%	-2.7%
14	89.4	5.1%	-5.8%
15	90.1	-0.1%	-4.7%
16	86.5	0.3%	-9.7%

3500K | Rf: 86.1 | Rg: 95.5

Color Vector Graphic

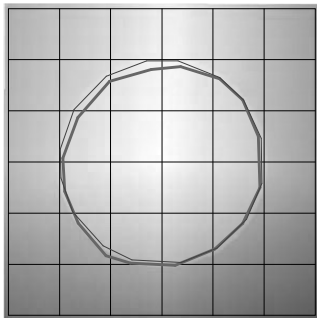


■ Test ■ Reference

HUE BIN	Rf	GRAPHIC SHIFTS %	
		CHROMA	HUE
1	90.8	-3.8%	0.3%
2	92.3	-2.8%	2.1%
3	89.7	-1.0%	4.3%
4	92.6	-1.4%	1.7%
5	91.8	-3.1%	1.3%
6	96.2	0.8%	-0.4%
7	92.9	-3.2%	0.2%
8	94.3	-2.5%	1.5%
9	90.4	-2.5%	5.2%
10	84.3	-1.4%	9.5%
11	83.1	3.5%	9.8%
12	88.2	4.8%	3.4%
13	94.0	2.7%	-2.0%
14	88.7	5.9%	-5.8%
15	88.7	0.7%	-5.9%
16	86.8	-0.7%	-6.7%

4000K | Rf: 87.6 | Rg: 96.8

Color Vector Graphic



■ Test ■ Reference

HUE BIN	Rf	GRAPHIC SHIFTS %	
		CHROMA	HUE
1	88.9	-2.4%	2.5%
2	93.3	-0.4%	0.8%
3	94.8	-1.0%	-0.6%
4	87.9	-4.9%	-3.6%
5	85.3	-9.4%	-2.6%
6	90.2	-6.0%	0.2%
7	85.3	-7.6%	4.6%
8	83.7	-4.1%	8.2%
9	79.5	-1.1%	13.8%
10	78.6	1.5%	12.1%
11	83.5	6.4%	7.8%
12	90.9	3.6%	-1.1%
13	88.3	1.7%	-6.3%
14	91.9	-0.4%	-2.2%
15	84.5	-0.9%	-5.5%
16	84.7	-1.1%	-4.4%

PROJECT		FIXTURE TYPE		DATE	
---------	--	--------------	--	------	--