



# REVEAL WALL WASH 2, WARM DIM

## 24VDC, 5/8" DRYWALL PLASTER-IN LED SYSTEM



DESIGNED BY GREGORY KAY | MADE IN AMERICA | PATENT PENDING

REV 05.16.25



### DESCRIPTION

Our new generation of the Reveal System washes the wall from the very top of the ceiling highlighting the wall with continuous illumination. Recessed within 5/8" drywall without the need for joist modification. The 24VDC low-voltage system uses PureEdge's superior designer-grade 95+ CRI LEDs rendering art and color in their truest forms while producing uniform brightness. Simply mount the slim profile plaster-in extrusions within 5/8" or thicker drywall, 24" from the projected wall. The system is sold in 1' increments up to 20' and can be cut in the field. Continuing to redefine the relationship between lighting and interior design, Reveal Wall Wash invokes dramatic yet refined illumination by highlighting art and creating depth of architectural features. The Reveal Wall Wash with Warm Dim technology (**27D & 30D**) mimics an incandescent atmosphere by decreasing the color temperature as you dim. Our Warm Dim strips can be dimmed all the way down to a soothing amber hue at 1800K, reminiscent of candlelight along the halogen curve. Click here for all [Other Color Temperatures](#). Remote Power Supply is required and ordered separately. Coordinate installation with electrician and drywall contractors. Includes a 5 year pro-rated warranty. For custom quotes, email our design team: [design@PureEdgeLighting.com](mailto:design@PureEdgeLighting.com).

### DESIGN NOTE

Reveal Wall Wash is an ideal wall washing solution for any space, highlighting art and creating depth within architectural features. Multiple runs of channel mount seamlessly together and may wrap inside corners to wash surrounding walls with uniform controlled illumination up to 95+ CRI.

### MAXIMUM LENGTHS BEFORE RE-FEEDING:

5WDC, 4.8 watts per foot - 20'

### FINISHES



Satin Aluminum  
**SA**

White  
**WH**

**PureEdge** is the Original Designer of 5/8" Drywall Lighting Products with the Most Experience in the industry.

### LAMP

- Warm Dim: **27D** and **30D** dim down to 1800K, resembling halogen light sources
- Lumen Performance: 1012lm/ft at 3000K (30D) 10W per foot
- Designer Grade High CRI 95+ LEDs
- Average life: 50,000 hours
- For additional color temperatures refer to other specifications

### REMOTE POWER SUPPLIES\*, DIMMERS & CONTROLS (SOLD SEPARATELY)

24VDC, Class 2 wiring

- [UNI Driver: Universal Dimming \(TRIAC, ELV, 0-10V\)](#)
- [Lutron Hi-Lume/Ecosystem](#)

\*In-Wall Mounting and drop ceiling Kits available for select power supplies

### MAKE IT SMART

[Pure Smart™ WiZ Pro Controls](#)

### APPLICATIONS

Indoor damp or dry locations only. Reveal Wall Wash is ideal in Residential, Commercial, Retail, and Hospitality Environments.

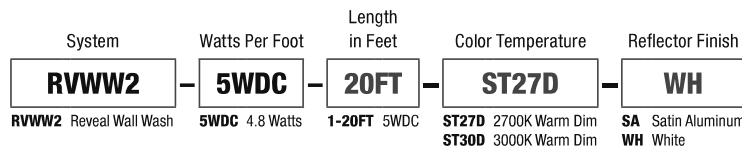
### INCLUDED COMPONENTS

Junction Box, Adjustable Mounting Bars, Reveal Wall Wash Channel(s), Power Feed End Cap, Junction Box Cover, Dead End Cap, Take-Up Box, Drywall Screws, LED Soft Strip, and Lens(es)

### COMPLIANCE

ETL, Class 2, Damp Location, Made in USA.

For quick & easy reference, plus the most up-to-date pricing, use our [Reveal Wall Wash Configurator](#).



PROJECT		FIXTURE TYPE		DATE	
---------	--	--------------	--	------	--



# REVEAL WALL WASH 2, WARM DIM

24VDC, 5/8" DRYWALL PLASTER-IN LED SYSTEM



REV 05.16.25

## NOMINAL DELIVERED LUMENS

		RVWW	
DESCRIPTION		Wall Wash	
WATTS PER FOOT		5w (4.4 watts)	
COLOR TEMPERATURE	27D		30D
LUMENS PER FOOT (lm/ft)	330		343
LUMENS PER WATT (lm/w)	69		72
CRI	94+		94+

**LENGTH LOAD CHARTS:** To determine the necessary wire gauge use our [Voltage Drop Calculator](#).

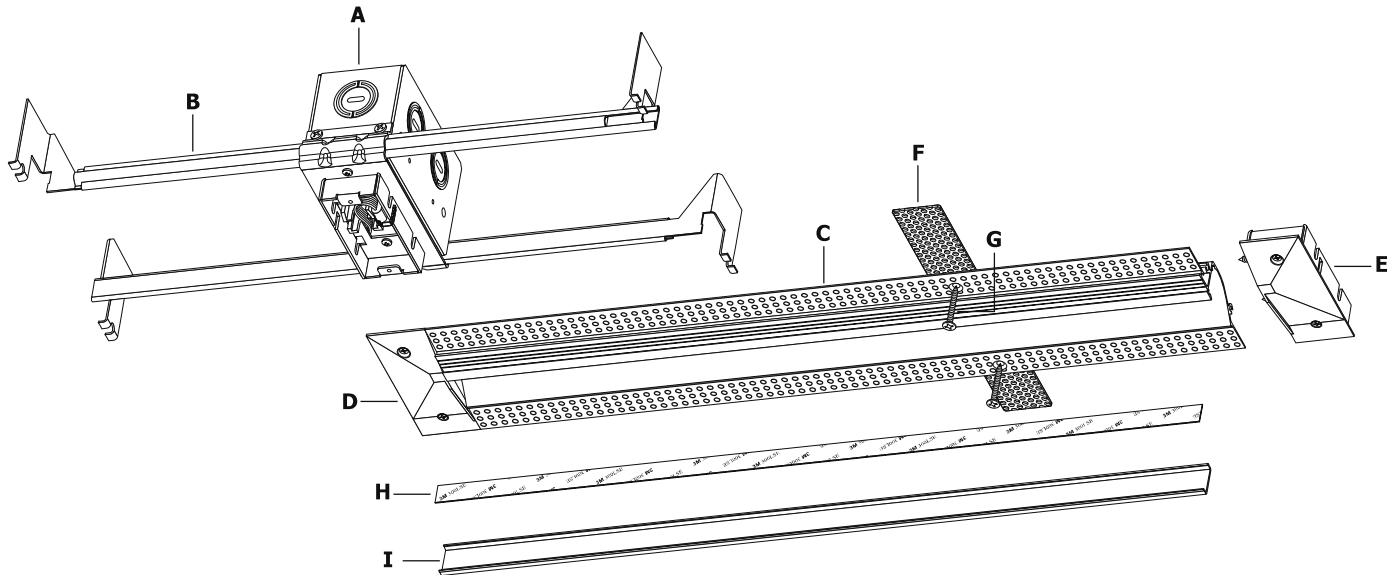
5 WATTS PER FOOT	
LENGTH IN FEET	WATTS
1	5
2	10
3	16
4	20
5	24
6	29
7	34
8	38
9	43
10	48
11	53
12	58
13	63
14	67
15	72
16	77
17	82
18	87
19	91
20	96

PROJECT		FIXTURE TYPE		DATE	
---------	--	--------------	--	------	--

# REVEAL WALL WASH 2, WARM DIM

24VDC, 5/8" DRYWALL PLASTER-IN LED SYSTEM

## INCLUDED COMPONENTS



### A. JUNCTION BOX

Mounts behind drywall with Adjustable Mounting Bars and includes a drywall template for accurate installation. Low Voltage 24VDC wires from Remote Power Supply connect to LED wires inside box. Junction Box opening is concealed with the Reveal Wall Wash Junction Box cover and is required at the beginning of each run.

### B. ADJUSTABLE MOUNTING BARS

Provide flexibility for mounting in a variety of spaces.

### C. REVEAL WALL WASH 2 CHANNEL

5/8" deep extrusion houses a single row of Commercial and Designer Grade High CRI 95+ LED Strip.

### D. POWER FEED END CAP

Provides a connection area for 24VDC wires at beginning of run where LED Strip enters channel.

### E. TAKE-UP BOX

Prevents dark spots at end of run by tucking excess LED Strip safely behind wall.

### F. MOUNTING STRAP

### G. DRYWALL SCREWS

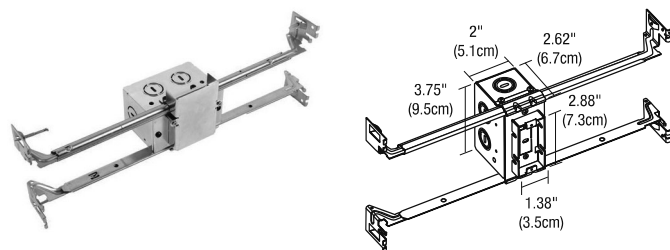
Secure channel to drywall and studs/joists.

### H. LED STRIP

LED strip (back side shown). See lamp data on for additional details.

### I. LENS

0.74" wide diffused lens projects a clean line of light without LED pixelation.



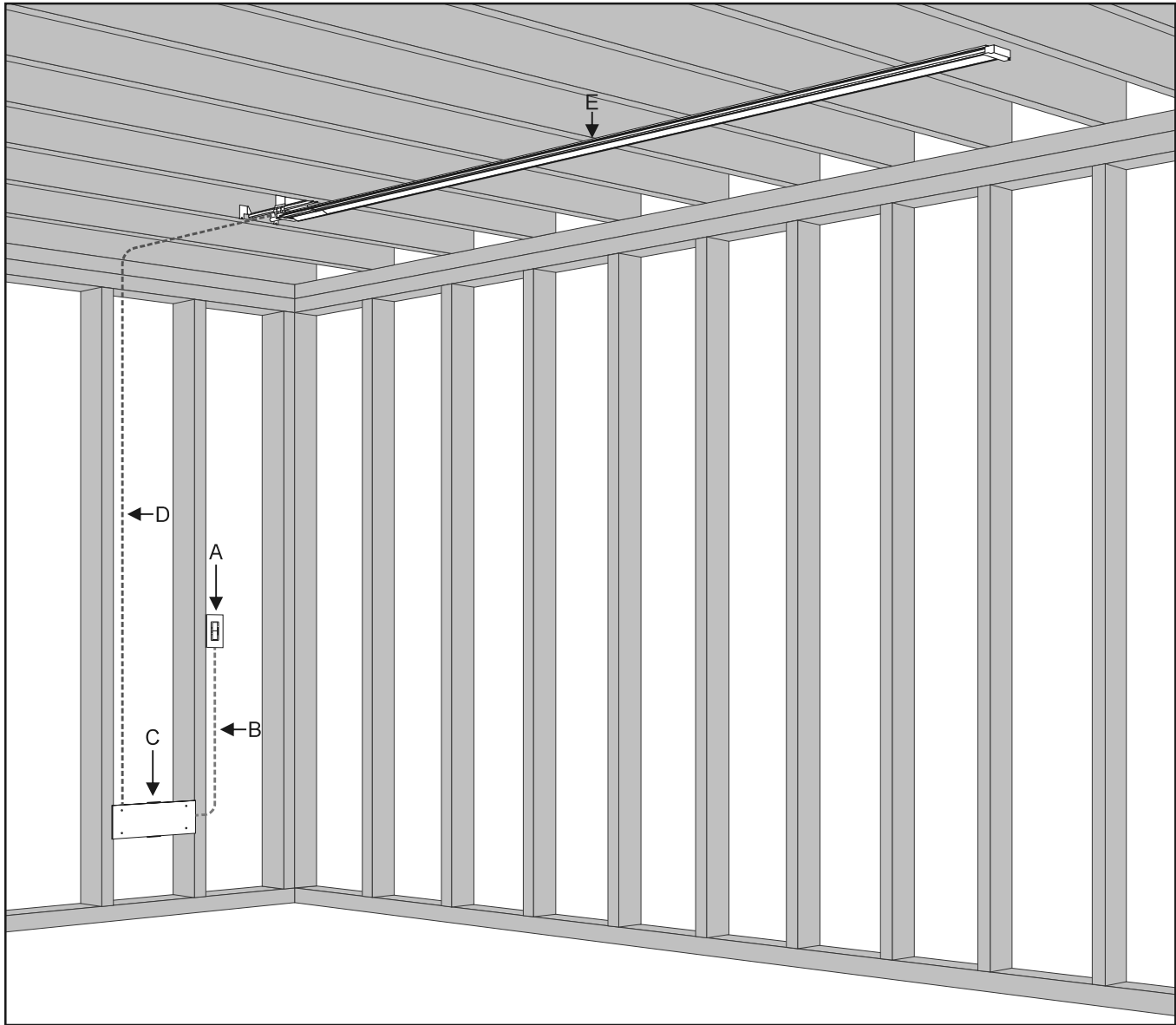
### JUNCTION BOX ROUGH-IN COMPONENT

One Junction Box is included with Reveal Wall Wash. Order additional Junction Box separately to rough-in electrical wiring before drywall installation. Quick shipment available.

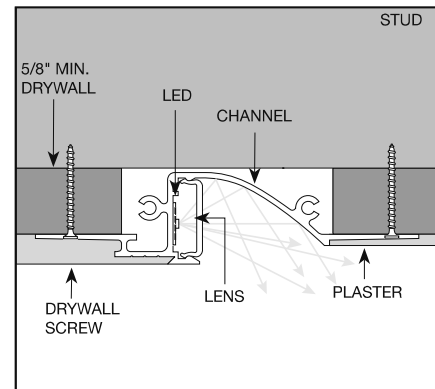
System	Size	Component
<b>RVWW2</b>	<b>1RE</b>	<b>JBOX</b>
RVWW2 Reveal Wall Wash	1RE 1" Rectangle	JBOX Junction Box

PROJECT	FIXTURE TYPE	DATE
---------	--------------	------

**INSTALLATION**



- A. DIMMER OR SWITCH.**
- B. 120VAC WIRING TO 120V/24VDC REMOTE POWER SUPPLY, FOR IN-WALL MOUNTING KIT.**
- C. IN-WALL MOUNTING KIT.**
- D. 24VDC, CLASS 2 WIRING.**
- E. REVEAL WALL WASH SYSTEM.**

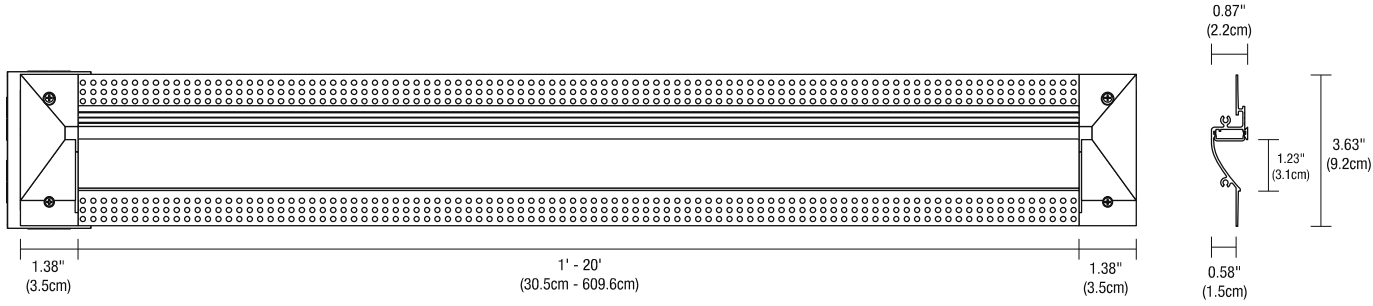


■ Direction of Light

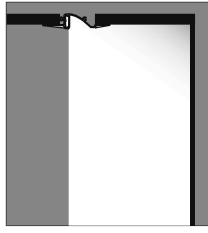
PROJECT		FIXTURE TYPE		DATE	
---------	--	--------------	--	------	--

# REVEAL WALL WASH 2, WARM DIM

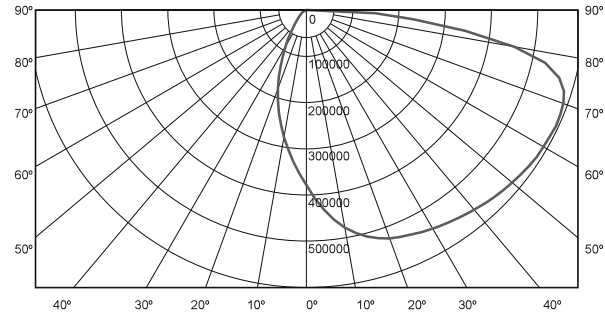
24VDC, 5/8" DRYWALL PLASTER-IN LED SYSTEM



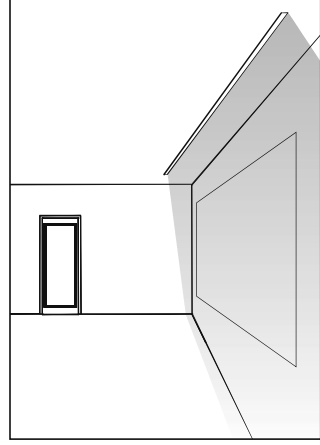
DIRECTION OF LIGHT



CANDLE POWER DISTRIBUTION



WALL WASH DIRECTION OF LIGHT SHOWN WITH 10 WATT, 3000K VERSION



FIXTURE MOUNTED 24" FROM WALL 7W 30K CHANNEL AND DIFFUSED LENS

	1'	2.5'	4'	5.5'	7'
1"	50	50	53	53	43
3"	90	90	104	97	81
6"	113	136	140	137	116
1'	122	138	140	137	113
18"	115	128	128	120	100
2'	100	113	113	109	86
3'	76	89	90	83	67
4'	62	72	70	68	56
5'	50	58	59	55	46
6'	41	46	47	44	38
7'	34	37	38	35	31
8'	27	30	30	30	26
9'	23	25	25	25	21
10'	20	22	22	22	20
11'	16	18	18	18	16
12'	13	15	15	15	13
13'	10	12	12	12	10

PROJECT		FIXTURE TYPE		DATE	
---------	--	--------------	--	------	--

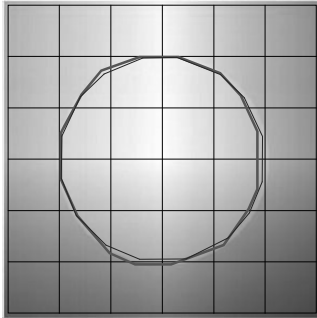
# TM30 DATA

24VDC, 5/8" DRYWALL PLASTER-IN LED SYSTEM

**TM-30-15 DATA:** The data below is for bare LED Warm Dim Strip. Consistent color temperatures throughout a single strip and among multiple strips is possible through a 3 phase binning process in which each order is inspected with a color meter to ensure uniformity.

**2700D** | Rf: 90.7 | Rg: 101.1

Color Vector Graphic

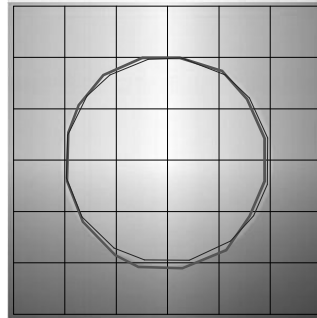


■ Test ■ Reference

HUE BIN	Rf	GRAPHIC SHIFTS %	
		CHROMA	HUE
1	90.9	-4.1%	1.1%
2	91.8	-2.2%	3.2%
3	89.0	0.2%	5.0%
4	92.9	-1.1%	0.8%
5	93.9	1.1%	1.7%
6	93.3	3.3%	0.0%
7	93.1	-0.5%	-1.9%
8	97.2	-0.3%	-0.9%
9	93.4	-1.0%	3.2%
10	89.9	-0.1%	5.6%
11	87.0	4.7%	7.2%
12	89.2	5.8%	-0.2%
13	89.1	3.5%	-6.7%
14	86.3	4.1%	-9.2%
15	91.4	-2.0%	-3.6%
16	84.7	-2.1%	-10.3%

**3000D** | Rf: 90.6 | Rg: 101.1

Color Vector Graphic



■ Test ■ Reference

HUE BIN	Rf	GRAPHIC SHIFTS %	
		CHROMA	HUE
1	91.5	-3.5%	1.3%
2	92.2	-1.8%	3.0%
3	89.3	0.5%	4.8%
4	92.7	-1.1%	0.6%
5	93.3	0.5%	1.4%
6	93.8	2.7%	-0.8%
7	91.2	-2.1%	-0.2%
8	97.0	-0.5%	-0.7%
9	92.5	-0.7%	3.8%
10	88.3	0.9%	7.1%
11	87.5	3.9%	7.6%
12	88.2	6.2%	-0.2%
13	89.9	3.4%	-6.0%
14	86.9	4.4%	-8.5%
15	91.9	-1.9%	-2.9%
16	84.7	-1.3%	-10.6%

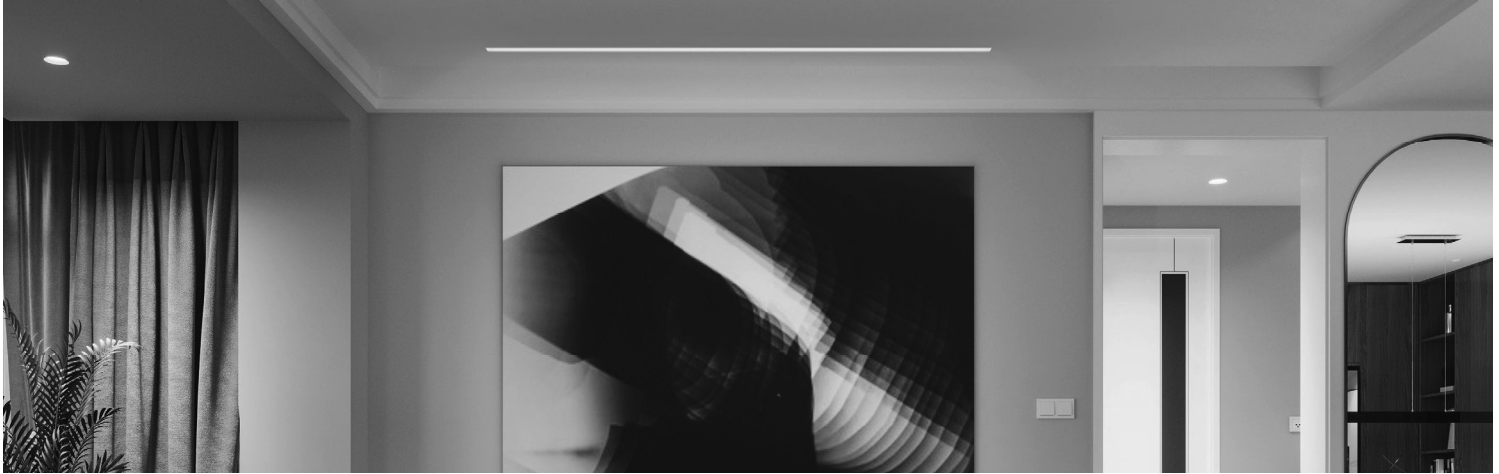
PROJECT		FIXTURE TYPE		DATE	
---------	--	--------------	--	------	--

# REVEAL WALL WASH 2

24VDC, PLASTER-IN LED SYSTEM, STATIC WHITE

DESIGNED BY GREGORY KAY | MADE IN AMERICA | PATENT PENDING

REV 12.31.24



## DESCRIPTION

Our new generation of the Reveal System washes the wall from the very top of the ceiling highlighting the wall with continuous illumination. Recessed within 5/8" drywall without the need for joist modification. The 24VDC low-voltage system uses PureEdge's superior designer-grade 95+ CRI LEDs rendering art and color in their truest forms while producing uniform brightness. Simply mount the slim profile plaster-in extrusions within 5/8" or thicker drywall, 24" from the projected wall. The system is sold in 1' increments up to 20' and can be cut in the field. Continuing to redefine the relationship between lighting and interior design, Reveal Wall Wash invokes dramatic yet refined illumination by highlighting art and creating depth of architectural features. The Reveal Wall Wash is offered in multiple wattage and color temperatures ranging from 2400K through 4000K. [Click here for all Other Color Temperatures](#). Remote Power Supply is required and ordered separately. Coordinate installation with electrician and drywall contractors. Includes a 5 year pro-rated warranty. For custom quotes, email our design team: [design@PureEdgeLighting.com](mailto:design@PureEdgeLighting.com).

## DESIGN NOTE

Reveal Wall Wash is an ideal wall washing solution for any space, highlighting art and creating depth within architectural features. Multiple runs of channel mount seamlessly together and may wrap inside corners to wash surrounding walls with uniform controlled illumination up to 95+ CRI.

## MAXIMUM LENGTHS BEFORE RE-FEEDING:

- 5WDC, 4.4 watts per foot - 20'
- 7WDC, 7.5 watts per foot - 12'
- 10WDC, 9.6 watts per foot - 10'

## FINISHES



## LAMPING

- Offered in multiple Static White Color Temperatures: 2400K, 2700K, 3000K, 3500K & 4000K
- Lumen Performance: 575lm/ft at 3000K 10 watts per foot
- Designer Grade High CRI 95+ LEDs
- 5, 7 or 10 watts per foot
- 50,000 Hour Lamp Life
- For additional color temperatures refer to other specifications

## REMOTE POWER SUPPLIES\*, DIMMERS & CONTROLS (SOLD SEPARATELY)

- 24VDC, Class 2 wiring
- [Home Integration Solutions](#)
  - Pure Smart™ WiZ Pro [Power Supplies & Controls](#)
  - [UNI Driver: Universal Dimming \(TRIAC, ELV, 0-10V\)](#)
  - [Lutron Hi-Lume/Ecosystem](#)
- \*In-Wall Mounting and drop ceiling Kits available for select power supplies

## MAKE IT SMART

[Pure Smart™ WiZ Pro Controls](#)

## APPLICATIONS

Indoor damp or dry locations only. Reveal Wall Wash is ideal in Residential, Commercial, Retail, and Hospitality Environments.

## INCLUDED COMPONENTS

Junction Box, Adjustable Mounting Bars, Reveal Wall Wash Channel(s), Junction Box Cover, Dead End Cap, Take-Up Box, Drywall Screws, LED Soft Strip, and Lens(es)

## COMPLIANCE

ETL, Class 2, Damp Location, RoHS, Title 24, Made in USA.

For quick & easy reference, plus the most up-to-date pricing, use our [Reveal Wall Wash Configurator](#).

PureEdge is the Original Designer of 5/8" Drywall Lighting Products with the Most Experience in the industry.

PROJECT	FIXTURE TYPE	DATE
---------	--------------	------

# REVEAL WALL WASH 2

24VDC, PLASTER-IN LED SYSTEM, STATIC WHITE

## 5W & 7W

System	Watts Per Foot	Length in Feet	Color Temperature	Reflector Finish
<b>RVWW2</b>	<b>5WDC</b>	<b>20FT</b>	<b>ST27K</b>	<b>WH</b>
<b>RVWW2</b> Reveal Wall Wash	<b>5WDC</b> 4.4 Watts <b>7WDC</b> 7.5 Watts	<b>1-20FT</b> 5WDC <b>1-12FT</b> 7WDC	<b>ST24K</b> 2400K Very Warm White <b>ST27K</b> 2700K Incandescent White <b>ST30K</b> 3000K Warm White <b>ST35K</b> 3500K Neutral White <b>ST40K</b> 4000K Cool White	<b>SA</b> Satin Aluminum <b>WH</b> White

## 10W

System	Watts Per Foot	Length in Feet	Color Temperature	Reflector Finish
<b>RVWW2</b>	<b>10WDC</b>	<b>1-10FT</b>	<b>27K</b>	<b>WH</b>
<b>RVWW2</b> Reveal Wall Wash	<b>10WDC</b> 9.6 Watts	<b>1-10FT</b> 10WDC	<b>24K</b> 2400K Very Warm White <b>27K</b> 2700K Incandescent White <b>30K</b> 3000K Warm White <b>35K</b> 3500K Neutral White <b>40K</b> 4000K Cool White	<b>SA</b> Satin Aluminum <b>WH</b> White

## NOMINAL DELIVERED LUMENS

DESCRIPTION	RVWW2														
	Wall Wash					Wall Wash					Wall Wash				
WATTS PER FOOT	5w (4.4 watts)					7w (7.5 watts)					10w (9.6 watts)				
COLOR TEMPERATURE	24K	27K	30K	35K	40K	24K	27K	30K	35K	40K	24K	27K	30K	35K	40K
LUMENS PER FOOT (lm/ft)	253	278	303	347	378	413	454	496	568	617	535	588	642	736	800
LUMENS PER WATT (lm/w)	57	63	69	79	85	57	62	68	78	84	56	61	67	76	83
CRI	90+	95+	95+	85+	85+	90+	95+	95+	85+	85+	90+	95+	95+	85+	85+

**LENGTH LOAD CHARTS:** To determine the necessary wire gauge use our [Voltage Drop Calculator](#).

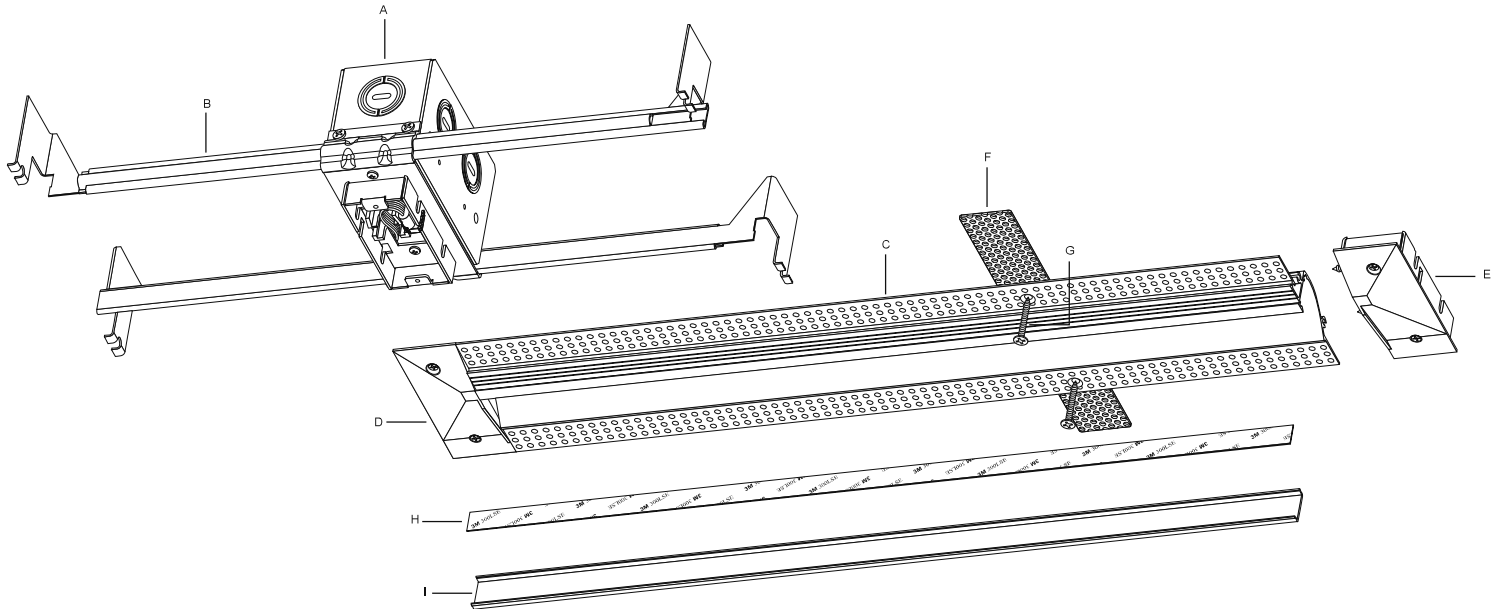
5 WATTS PER FOOT	
LENGTH IN FEET	WATTS
1	5
2	10
3	16
4	20
5	24
6	29
7	34
8	38
9	43
10	48
11	53
12	58
13	63
14	67
15	72
16	77
17	82
18	87
19	91
20	96

7 WATTS PER FOOT	
LENGTH IN FEET	WATTS
1	8
2	15
3	23
4	30
5	38
6	45
7	53
8	60
9	68
10	75
11	83
12	90

10 WATTS PER FOOT	
LENGTH IN FEET	WATTS
1	10
2	20
3	30
4	40
5	50
6	60
7	70
8	80
9	90
10	100

PROJECT		FIXTURE TYPE		DATE	
---------	--	--------------	--	------	--

**INCLUDED COMPONENTS**



**A. JUNCTION BOX**

Mounts behind drywall with Adjustable Mounting Bars and includes a drywall template for accurate installation. Low Voltage 24VDC wires from Remote Power Supply connect to LED wires inside box. Junction Box opening is concealed with the Reveal Wall Wash Junction Box cover and is required at the beginning of each run.

**B. ADJUSTABLE MOUNTING BARS**

Provide flexibility for mounting in a variety of spaces.

**C. REVEAL WALL WASH 2 CHANNEL**

5/8" deep extrusion houses a single row of Commercial and Designer Grade High CRI 95+ LED Strip.

**D. POWER FEED END CAP**

Provides a connection area for 24VDC wires at beginning of run where LED Strip enters channel.

**E. TAKE-UP BOX**

Prevents dark spots at end of run by tucking excess LED Strip safely behind wall.

**F. MOUNTING STRAP**

**G. DRYWALL SCREWS**

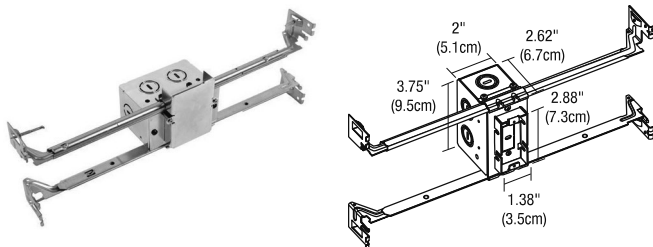
Secure channel to drywall and studs/joists.

**H. LED STRIP**

LED strip (back side shown). See lamp data on for additional details.

**I. LENS**

0.74" wide diffused lens projects a clean line of light without LED pixelation.



**JUNCTION BOX ROUGH-IN COMPONENT**

One Junction Box is included with Reveal Wall Wash. Order additional Junction Box separately to rough-in electrical wiring before drywall installation. Quick shipment available.

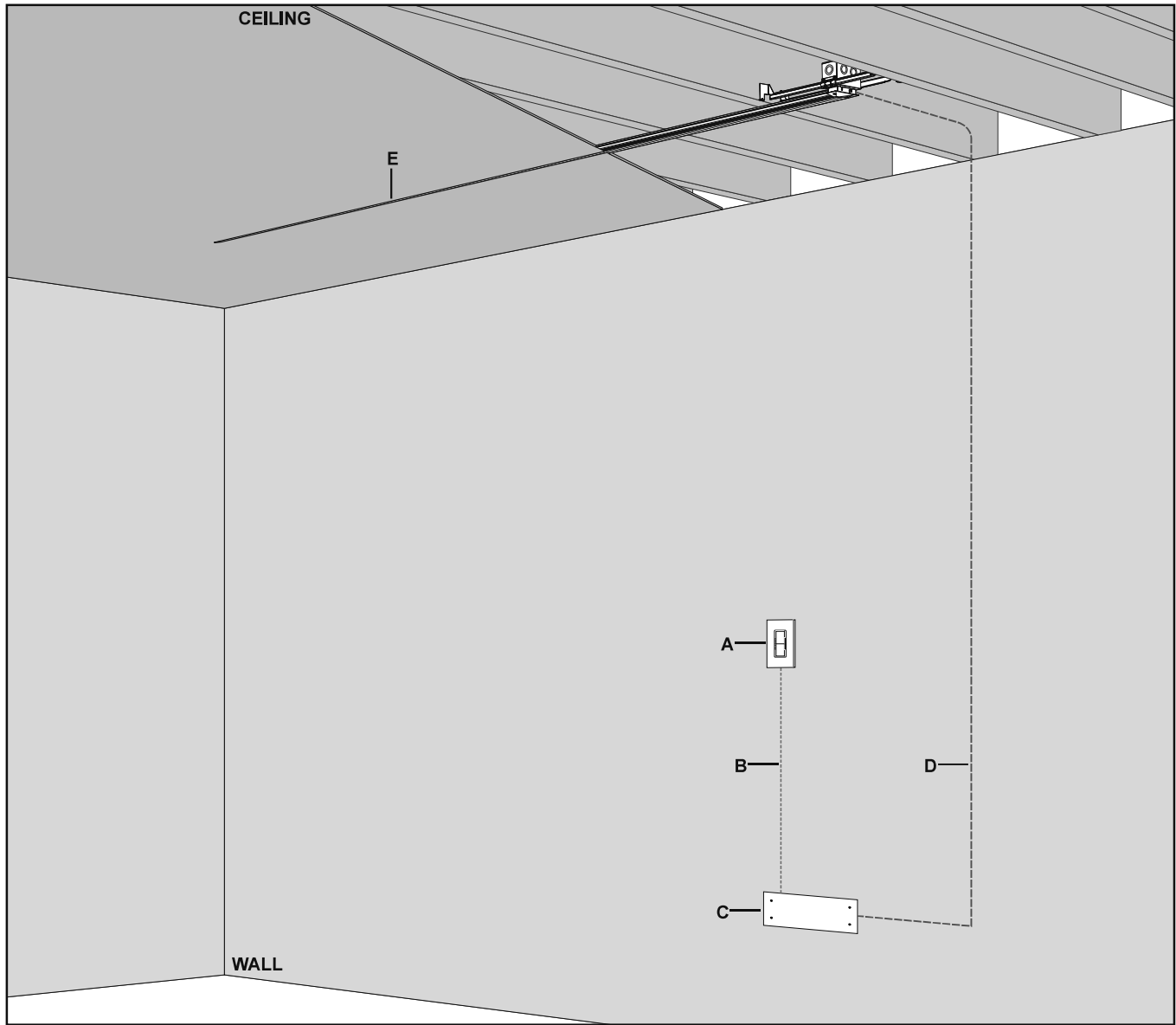
System	Size	Component
<b>RVWW2</b>	<b>1RE</b>	<b>JBOX</b>
RVWW2 Reveal Wall Wash	1RE 1" Rectangle	JBOX Junction Box

PROJECT	FIXTURE TYPE	DATE
---------	--------------	------

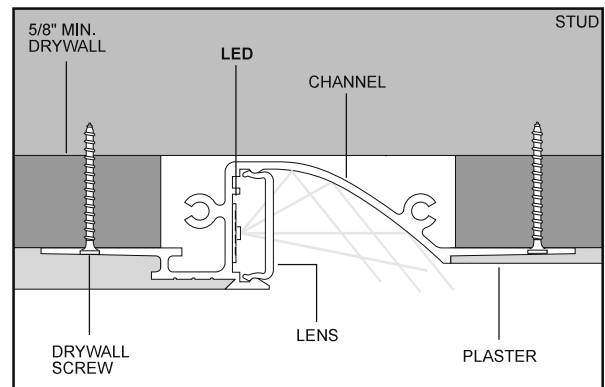
# REVEAL WALL WASH 2

24VDC, PLASTER-IN LED SYSTEM, STATIC WHITE

## INSTALLATION



- A. DIMMER OR SWITCH.
- B. 120VAC WIRING TO 120V/24VDC REMOTE POWER SUPPLY, FOR IN-WALL MOUNTING KIT.
- C. IN-WALL MOUNTING KIT.
- D. 24VDC, CLASS 2 WIRING.
- E. REVEAL WALL WASH 2 SYSTEM.

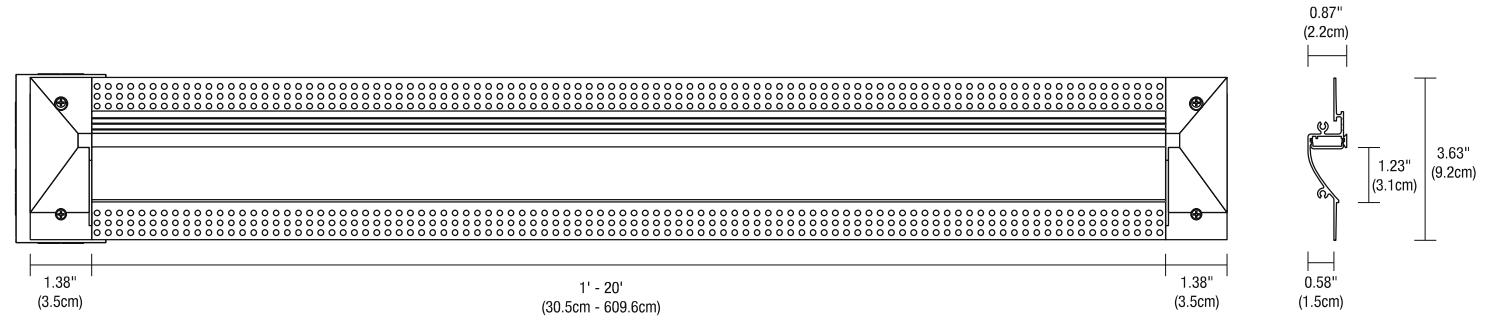


■ DIRECTION OF LIGHT

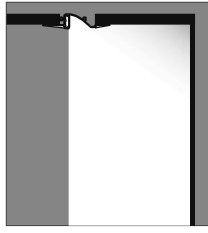
PROJECT	FIXTURE TYPE	DATE
---------	--------------	------

# REVEAL WALL WASH 2

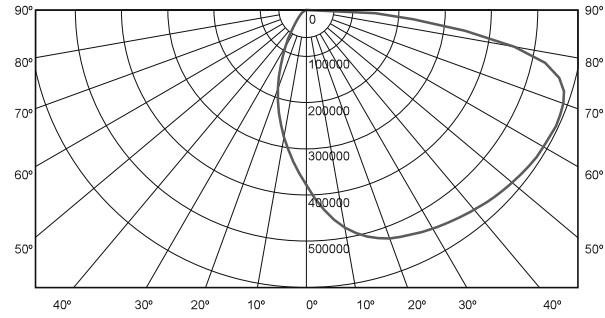
24VDC, PLASTER-IN LED SYSTEM, STATIC WHITE



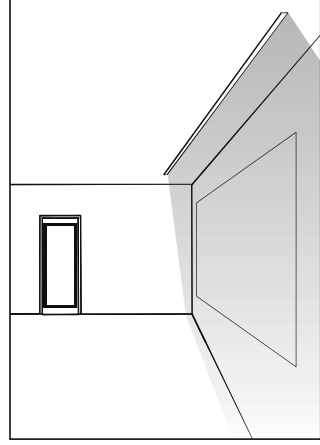
DIRECTION OF LIGHT



CANDLE POWER DISTRIBUTION



WALL WASH DIRECTION OF LIGHT SHOWN WITH 10 WATT, 3000K VERSION



FIXTURE MOUNTED 24" FROM WALL  
7W 30K CHANNEL AND DIFFUSED LENS

	1'	2.5'	4'	5.5'	7'
1"	50	50	53	53	43
3"	90	90	104	97	81
6"	113	136	140	137	116
1'	122	138	140	137	113
18"	115	128	128	120	100
2'	100	113	113	109	86
3'	76	89	90	83	67
4'	62	72	70	68	56
5'	50	58	59	55	46
6'	41	46	47	44	38
7'	34	37	38	35	31
8'	27	30	30	30	26
9'	23	25	25	25	21
10'	20	22	22	22	20
11'	16	18	18	18	16
12'	13	15	15	15	13
13'	10	12	12	12	10

PROJECT		FIXTURE TYPE		DATE	
---------	--	--------------	--	------	--

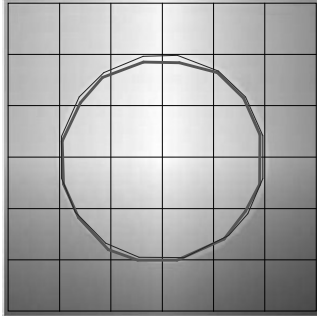
# TM30 DATA

24VDC, PLASTER-IN LED SYSTEM, STATIC WHITE & WARM DIM

**TM-30-15 DATA:** The data below is for bare LED Static White Strip. Consistent color temperatures throughout a single strip and among multiple strips is possible through a 3 phase binning process in which each order is inspected with a color meter to ensure uniformity.

**2400K** | Rf: 84.5 | Rg: 94.4

Color Vector Graphic

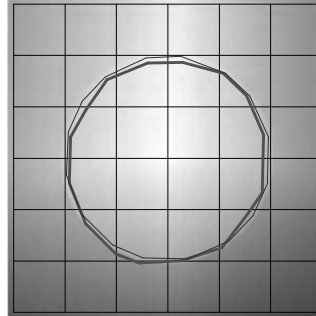


■ Test ■ Reference

HUE BIN	Rf	GRAPHIC SHIFTS %	
		CHROMA	HUE
1	92	-2.4%	1.5%
2	94.7	-2.1%	-0.0%
3	95.4	-1.9%	-0.1%
4	88.7	-6.7%	-3.1%
5	92.8	-5.6%	1.0%
6	92.7	-3.4%	3.4%
7	89.9	-4.3%	4.1%
8	92.4	-1.4%	4.4%
9	89	-0.6%	5.8%
10	88.9	0.4%	6.2%
11	89.7	4.0%	5.4%
12	92.6	3.0%	-0.7%
13	90.9	1.1%	-7.0%
14	89.9	0.5%	-5.8%
15	92.1	-3.2%	0.1%
16	88.9	-1.7%	-6.3%

**2700K** | Rf: 87.7 | Rg: 96.1

Color Vector Graphic

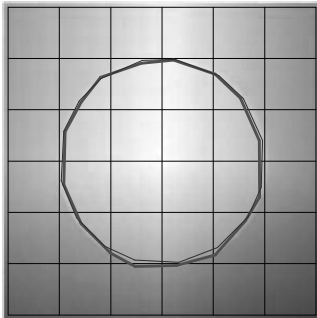


■ Test ■ Reference

HUE BIN	Rf	GRAPHIC SHIFTS %	
		CHROMA	HUE
1	88.0	-4.3%	2.6%
2	91.6	-2.4%	2.0%
3	93.7	-1.4%	1.9%
4	88.9	-5.6%	-3.1%
5	92.3	-5.5%	-0.5%
6	92.9	-3.5%	0.1%
7	84.5	-7.5%	4.6%
8	90.8	-3.0%	4.4%
9	84.5	-1.3%	8.3%
10	83.9	2.0%	9.8%
11	87.2	5.3%	7.1%
12	89.2	5.4%	-2.6%
13	88.7	0.3%	-7.8%
14	86.8	1.7%	-9.3%
15	87.6	-5.4%	-1.3%
16	83.6	-3.3%	-9.5%

**3000K** | Rf: 88.1 | Rg: 99.7

Color Vector Graphic

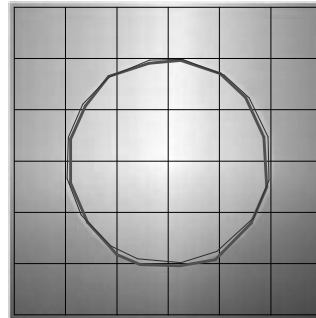


■ Test ■ Reference

HUE BIN	Rf	GRAPHIC SHIFTS %	
		CHROMA	HUE
1	92.5	-3.1%	0.3%
2	93.3	-2.3%	1.9%
3	90.9	-0.8%	3.9%
4	94.3	-1.1%	1.4%
5	92.5	-2.6%	1.5%
6	96.4	1.2%	-0.3%
7	92.6	-2.5%	-0.0%
8	96.9	-1.4%	0.2%
9	92.3	-1.8%	4.3%
10	86.6	-0.7%	7.0%
11	86.5	2.4%	8.2%
12	89.8	5.9%	1.7%
13	93.9	2.6%	-2.7%
14	89.4	5.1%	-5.8%
15	90.1	-0.1%	-4.7%
16	86.5	0.3%	-9.7%

**3500K** | Rf: 86.1 | Rg: 95.5

Color Vector Graphic

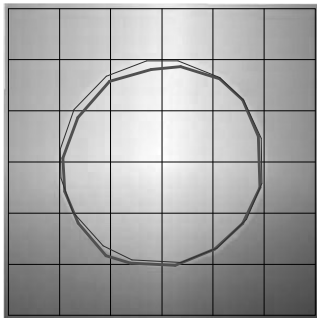


■ Test ■ Reference

HUE BIN	Rf	GRAPHIC SHIFTS %	
		CHROMA	HUE
1	90.8	-3.8%	0.3%
2	92.3	-2.8%	2.1%
3	89.7	-1.0%	4.3%
4	92.6	-1.4%	1.7%
5	91.8	-3.1%	1.3%
6	96.2	0.8%	-0.4%
7	92.9	-3.2%	0.2%
8	94.3	-2.5%	1.5%
9	90.4	-2.5%	5.2%
10	84.3	-1.4%	9.5%
11	83.1	3.5%	9.8%
12	88.2	4.8%	3.4%
13	94.0	2.7%	-2.0%
14	88.7	5.9%	-5.8%
15	88.7	0.7%	-5.9%
16	86.8	-0.7%	-6.7%

**4000K** | Rf: 87.6 | Rg: 96.8

Color Vector Graphic



■ Test ■ Reference

HUE BIN	Rf	GRAPHIC SHIFTS %	
		CHROMA	HUE
1	88.9	-2.4%	2.5%
2	93.3	-0.4%	0.8%
3	94.8	-1.0%	-0.6%
4	87.9	-4.9%	-3.6%
5	85.3	-9.4%	-2.6%
6	90.2	-6.0%	0.2%
7	85.3	-7.6%	4.6%
8	83.7	-4.1%	8.2%
9	79.5	-1.1%	13.8%
10	78.6	1.5%	12.1%
11	83.5	6.4%	7.8%
12	90.9	3.6%	-1.1%
13	88.3	1.7%	-6.3%
14	91.9	-0.4%	-2.2%
15	84.5	-0.9%	-5.5%
16	84.7	-1.1%	-4.4%

PROJECT		FIXTURE TYPE		DATE	
---------	--	--------------	--	------	--