

DESCRIPTION

PureEdge Lighting, the pioneer of 5/8" drywall systems, now brings you TruCirque .5A. Our innovative and highly efficient system blends seamlessly into the drywall, becoming part of the architecture and redefining the relationship between lighting and interior design. TruCirque brings the same ease of installation as our other 5/8" drywall families to a pristine circle of illumination. The slim extrusions are offered in various diameters from 2 to 18 feet, supplied with a diffused, flexible lens. TruCirque in TruColor™ RGBTW is supplied with a Pure Smart/WiZ Pro CV Bridgebox in the End Power Feed. 4 gang junction box is used to house the CV Bridgebox. Intended for use with PSBR-96W-24VDC Remote Power Supply (Sold Separately). WiZ Bridgebox allows for integration into WiZ Pro wireless control ecosystem and grants 5 Channel, full color control over the TruColor™ RGBTW Light engine. No Hub Required. WiZ App, WiZ Pro Dashboard and Pure Smart Room Controller all allow for dimming, CCT selection, grouping, scheduling, preset and custom scene creation, voice control with integration of Amazon Alexa, Google Assistant, Siri Shortcuts, IFTTT, and SmartThings. Includes a 5-year pro-rated warranty. For custom quotes and layout assistance, email our design team: design@PureEdgeLighting.com.

INCLUDED COMPONENTS

TruCirque .5" wide Channel(s), Power Channel Connector(s) with Deep Junction Box, Channel Joiners, Mounting Straps, Drywall Screws, LED Strip, and Diffused White Lens

LUMEN PERFORMANCE

- TruColor™ RGBTW Red, Green, and Blue with Tunable White (1500K-6500K)
- 5W5 138 lm/ft 5W @3000K
- 5W7 200 lm/ft 7W @3000K

AVERAGE PERFORMANCE 2000K-5500K (S5W5)

- Average CRI: 96+
- Average DUV: +-0.0020
- Average R9: 90, R13: 96, R15: 98 RG: 102, RF:94
- Average Life: 50,000 hours

TRUCOLOR™ RGB & TUNABLE WHITE TECHNOLOGY

Pure Smart TruColor™ technology uses five channels of tunable LEDs, composed of RGBTW red, blue, green, and Tunable White (1500K-6500K). With our precision-engineered, proprietary color mixing, we produce one of the widest, most accurate spectrums available, giving our customers access to the warm glow of the sunset (1500K-2400K golden hour) to the pure white light of the mid-day sun (5700K) and everything in between. TruColor™ LED's achieve an average CRI-Color Rendering Index of 94+ and a Duv of +-0.0046 in relation to the blackbody curve at any point on the spectrum of tunable white CCT. Dynamic Color Changing functionality provides millions of possibilities for intricate customization, rich saturated secondary colors, and unprecedented ease of installation, making RGBTW the ideal choice for residential and commercial applications. TruColor™ RGBTW adds more than just decorative flexibility; it also helps to support a healthy Circadian Rhythm and well-being. Let TruColor™ transform your space and the people within it. TruColor™ RGBTW is optimized for control with WiZ Pro Wi-Fi based smart control system.

REMOTE POWER SUPPLIES*, DIMMERS & CONTROLS (SOLD SEPARATELY)

24VDC, Class 2 wiring Intended for use with PSBR-96W-24VDC

- Pure Smart™ WiZ Pro PSBR Power Supplies
- Pure Smart™ PSBR Power Supply for Remote Bridgebox is developed to support Pure Smart TC TruColor RGBTW luminaires connected by WiZ Pro.
- Pure Smart™ Wi-Fi Controller

Features ON/OFF buttons, CCT and brightness control as well as four preset/custom scenes programmable in the WiZ app. Communicates via 2.4GHz Wi-Fi. No Hub needed. Voice control with Google Assistant, Alexa, Siri, Shortcuts, and IFTTT

APPLICATIONS

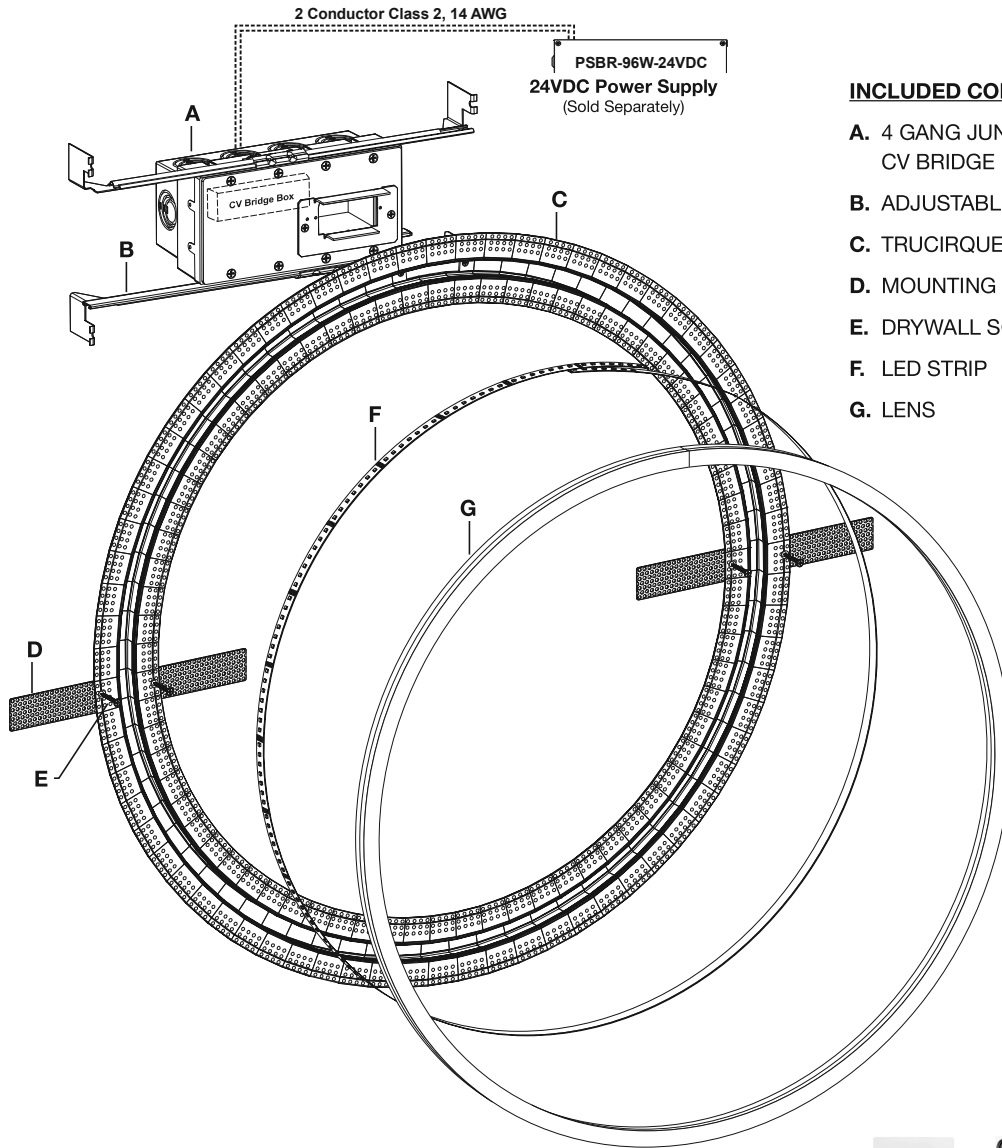
Designed for use in any drywall/gypsum board application, including damp locations. Ideal applications in residential, commercial, retail, and hospitality environments.

COMPLIANCE

ETL, Class 2, Damp Location, Made in USA.

System	Watts Per Foot	Diameter in Feet	Color Temperature
TCIR.5	5W5	4FT	RGBTW
TCIR.5 TruCirque .5"	5W5 5 watts RGB, 5 watts Tunable White 5W7 5 watts RGB, 7 watts Tunable White	2FT 7FT 13FT 2.5FT 8FT 14FT 3FT 9FT 15FT 4FT 10FT 16FT 5FT 11FT 17FT 6FT 12FT** 18FT Maximum length before re-feeding *5W5, **5W7	RGBTW Red, Green, Blue, and Tunable White 1500K-6500K

PROJECT		FIXTURE TYPE		DATE	
---------	--	--------------	--	------	--



INCLUDED COMPONENTS

- A. 4 GANG JUNCTION BOX WITH CV BRIDGE BOX
- B. ADJUSTABLE MOUNTING BARS
- C. TRUCIRQUE CHANNEL
- D. MOUNTING STRAP
- E. DRYWALL SCREW
- F. LED STRIP
- G. LENS



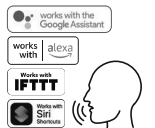
Room Controller



Mobile App



Dashboard

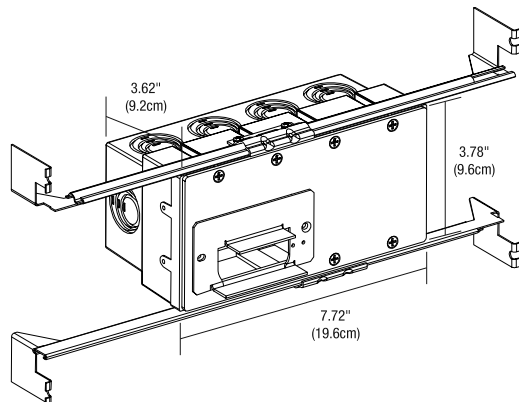


Voice Control

NOMINAL DELIVERED LUMENS - TRUCIRQUE .5A

DESCRIPTION	5W5 5W RGB & 5W TUNABLE WHITE										5W7 5W RGB & 7W TUNABLE WHITE								
	5W Maximum										7W Maximum								
	20K	22K	24K	27K	30K	35K	40K	57K	65K	20K	22K	24K	27K	30K	35K	40K	57K	65K	
WATTS PER FOOT																			
COLOR TEMPERATURE	86	143	158	163	166	172	188	143	122	106	195	229	236	240	250	247	157	133	
LUMENS PER FOOT (lm/ft)	32	31	36	38	39	40	45	48	51	32	51	37	40	39	41	42	46	44	
LUMENS PER WATT (lm/w)																			
CRI	91.8	93.8	94.5	94.9	95.5	96.9	97.2	92.1	89.8	93	95	96	97	97	98	97	95	93	
Duv	-0.004	-0.0012	-0.0034	-0.0058	-0.0055	-0.0033	-0.0014	-0.0049	-0.0063	-0.0030	0.0002	0.0030	0.0030	0.0030	0.0009	0.0000	0.0030	0.0030	
Rf	91	93	94	94	95	94	94	92	90	92	93	95	95	95	95	94	92	91	
Rg	105	101	103	105	104	102	100	102	103	104	100	102	103	103	101	100	102	103	
R9	90	90	90	94	97	97	91	81	70	91	90	90	94	95	93	93	79	67	
R13	92	94	95	95	94	96	99	90	87	92	95	96	96	97	99	99	91	88	
R15	99	99	99	98	97	97	97	89	85	99	99	99	99	99	98	97	90	85	
WATTS/FOOT	2.7	4.55	4.35	4.25	4.25	4.35	4.2	2.95	2.4	3.35	3.85	6.15	5.95	6.15	6.15	5.84	3.45	3	

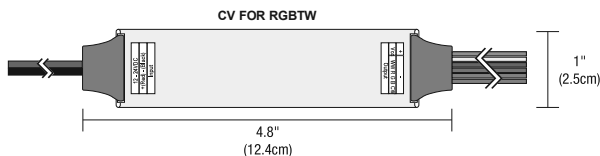
PROJECT		FIXTURE TYPE		DATE	
---------	--	--------------	--	------	--



PURE SMART 4 GANG JUNCTION BOX (INCLUDED WITH TRUCIRQUE .5 COMPLETE FIXTURE ORDERING CODE)

Includes a 4 gang Junction Box with Adjustable Bar Hangers. Needs two Class 2, 14 AWG stranded conductors for each Pure Smart/WiZ Pro Bridgebox. One Junction Box is included with TruCirque .5 complete fixture. Can be quick shipped for rough-in.

System	Type
TL.5A	TCCFX4G
TL.5A TruLine/TruCurve .5A	TCCFX4G 1" Center Feed with 4 gang junction box



PURE SMART/WiZ PRO CV BRIDGEBOX

WiZ Pro CV Bridgeboxes are included with End Power Feed and Center Power Feed ordering codes. The part numbers below are to be used for replacements only. Pure Smart/WiZ Pro CV Bridgeboxes are pre-programmed with Pure Smart app icons, and proprietary color mixing for Tunable White and TruColor™ RGBTW.

Type	Type	Component	Color Temperature Options	System
BR	LBL	CV96W	TC5W5	RV
BR Bridgebox	LBL Flexible 90° L Connector Left & Right	CV96W Slim Profile WiZ Bridgebox	TC5W5 TruColor™ RGBTW 5 watts RGB & 5 watts Tunable White TC5W7 TruColor™ RGBTW 5 watts RGB & 7 watts Tunable White	RV Recessed Curve

WiZ
PRO

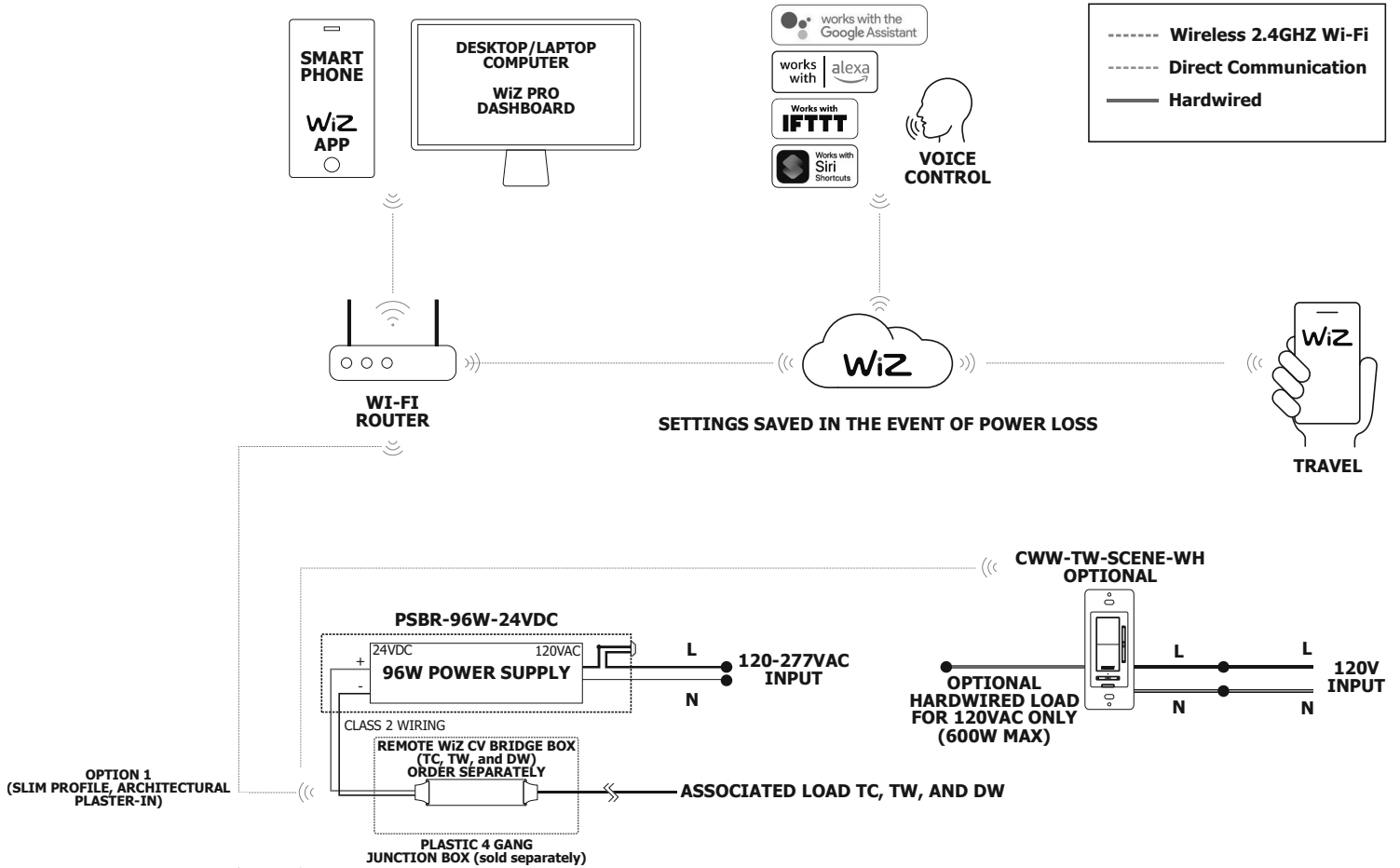
POWER SUPPLY SELECTION

POWER SUPPLIES NEEDED (RGBTW)		
TRUCIRQUE DIAMETER IN FEET	5W5 RECOMMENDED POWER SUPPLY	5W7 RECOMMENDED POWER SUPPLY
2	PSBR-96W-24VDC	PSBR-96W-24VDC
2.5	PSBR-96W-24VDC	PSBR-96W-24VDC
3	PSBR-96W-24VDC	PSBR-96W-24VDC
4	PSBR-96W-24VDC	PSBR-2X96W-24VDC
5	PSBR-96W-24VDC	PSBR-2X96W-24VDC
6*	PSBR-96W-24VDC	PSBR-2X96W-24VDC
7	PSBR-2X96W-24VDC	PSBR-3X96W-24VDC
8	PSBR-2X96W-24VDC	PSBR-3X96W-24VDC
9	PSBR-2X96W-24VDC	PSBR-3X96W-24VDC
10	PSBR-2X96W-24VDC	PSBR-3X96W-24VDC
11	PSBR-2X96W-24VDC	PSBR-4X96W-24VDC
12*	PSBR-2X96W-24VDC	PSBR-4X96W-24VDC
13	PSBR-3X96W-24VDC	PSBR-4X96W-24VDC
14	PSBR-3X96W-24VDC	PSBR-4X96W-24VDC
15	PSBR-3X96W-24VDC	PSBR-4X96W-24VDC
16	PSBR-3X96W-24VDC	PSBR-4X96W-24VDC+PSBR-96W-24VDC
17	PSBR-3X96W-24VDC	PSBR-4X96W-24VDC+PSBR-96W-24VDC
18	PSBR-3X96W-24VDC	PSBR-4X96W-24VDC+PSBR-96W-24VDC

*Maximum Length before re-feeding.

PROJECT	FIXTURE TYPE	DATE
---------	--------------	------

WIRING DIAGRAM



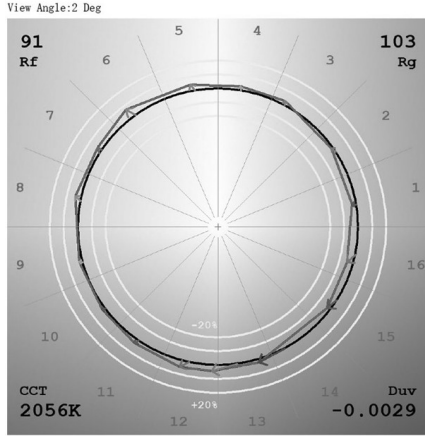
PROJECT		FIXTURE TYPE		DATE	
---------	--	--------------	--	------	--

LED STRIP TM30 DATA

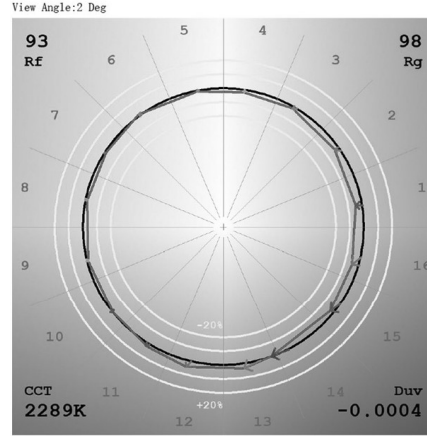
24VDC 5/8" DRYWALL PLASTER-IN LED SYSTEM, 5 CHANNEL CONTROL

TM-30-15 DATA: The data below is for TruColor™ RGBTW (S5W7) bare LED Strips. Consistent color temperatures throughout a single strip and among multiple strips is possible through a 3 phase binning process in which each order is inspected with a color meter to ensure uniformity.

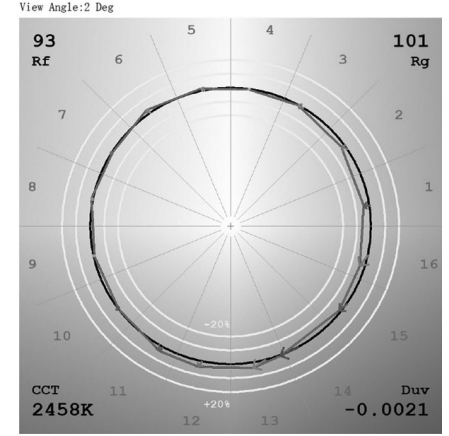
2000K (TruColor™ RGBTW)



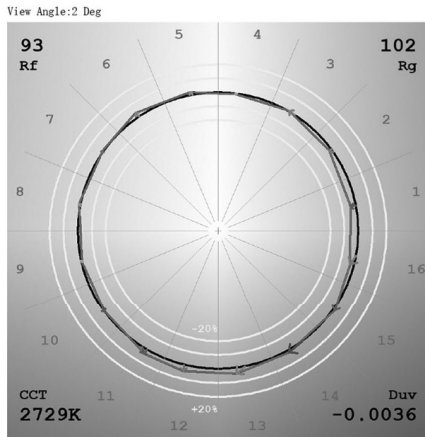
2200K (TruColor™ RGBTW)



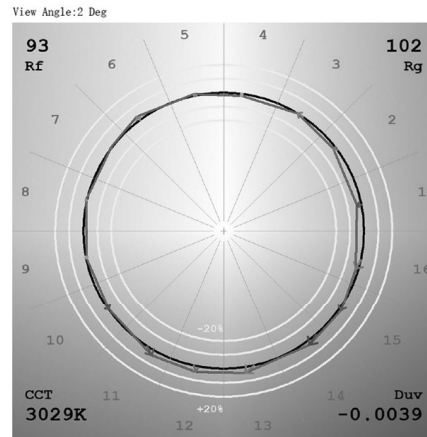
2400K (TruColor™ RGBTW)



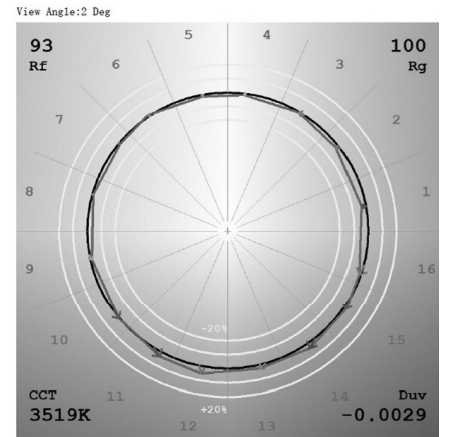
2700K (TruColor™ RGBTW)



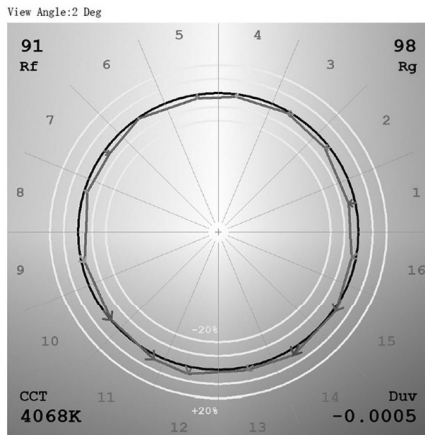
3000K (TruColor™ RGBTW)



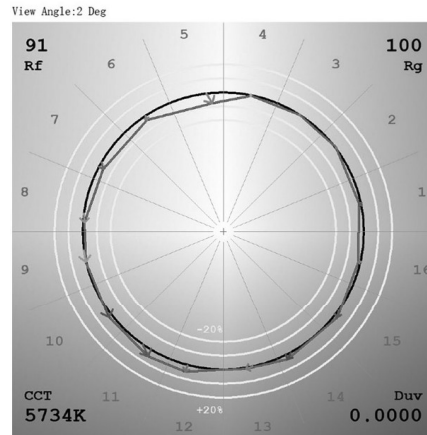
3500K (TruColor™ RGBTW)



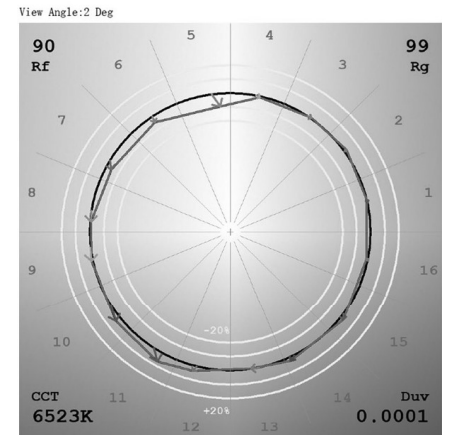
4000K (TruColor™ RGBTW)



5700K (TruColor™ RGBTW)



6500K (TruColor™ RGBTW)



PROJECT		FIXTURE TYPE		DATE	
---------	--	--------------	--	------	--