



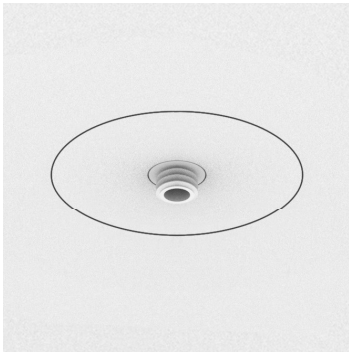
VANISHING POINT 12VAC MONOPOINT FAST JACK CEILING CONNECTION SYSTEM

DESIGNED BY GREGORY KAY | ASSEMBLED IN AMERICA | US PATENT PENDING

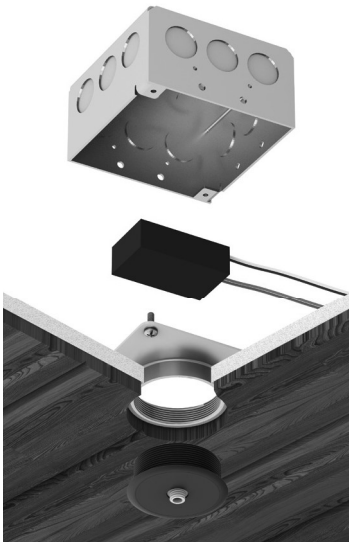
REV 04.18.25



VR-FJ12-WH
Vanishing Point .5" Opening Plaster-In, Remote Power supply (Order separately)



V2P-FJ12-WH
Vanishing Point 2" Flush Canopy to dry wall, with ELV power supply in J-Box



V2MP-FJ12-BZ
Vanishing Point 2" Flush Canopy for Millwork Ceiling, with ELV power supply in J-Box

DESCRIPTION

The Vanishing Point 12VAC Fast Jack Connection System comes in four distinct mounting options. Drywall and Millwork applications. 12V Fast Jack Lighting Fixtures, Controls, and Remote Power Supplies Sold Separately.

MOUNTING OPTIONS

VR - NO visible canopy you only see the 0.5" fixture stem Vanish Into the Ceiling, can feed power up to 6 fixtures with a 60 Watt Class 2 (Remote Power Supply within 15ft), or up to 30 fixtures using a 300 Watt (Remote Power Supply not included, see page 8 for ordering information).

V2P - Included ELV Power Supply fits within included J-Box. Slight outline of the 2.0" round canopy will be visible. With Power.

MILL-WORK FLUSH-MOUNT CANOPY SYSTEM OPTIONS

V2MR - Millwork flush mount 2.0" Round Canopy sits flush with a Millwork ceiling for a clean look. Can feed up to 30 fixtures with Remote Power Supply not included. See page 8 for ordering information.

V2MP- Millwork flush mount 2.0" Canopy with ELV Power Supply included within J-Box. Round Canopy sits flush with a Millwork ceiling for a clean look. With Power.

CONNECTION TYPES

FJ12 - Fast Jack 12VAC Connection

WARRANTY / LABELS

Prorated 5 year warranty. Assembled in America
ETL (Conforms to UL1598 and CSA 22.2 #250.0)

System	Type/Voltage	Finish
VR	FJ12	WH
VR* Vanishing Point 0.5" Connection Drywall, No Outline of Canopy at connection point. Remote Power Supply V2P* Vanishing Point 2.0" Connection Drywall flush mount canopy outline will show. ELV power supply included with J-Box V2MR Vanishing Point 2.0" Millwork Flush-Mount Canopy, Remote Power Supply. V2MP Vanishing Point 2.0" Flush-Mount Canopy, ELV 60W Power Supply fits in J-box, for use with Mill-Work *White Finish Only	FJ12 Fast Jack 12VAC Connection	WH White BK Black SN Satin Nickel BZ Bronze

PROJECT	FIXTURE TYPE	DATE
---------	--------------	------

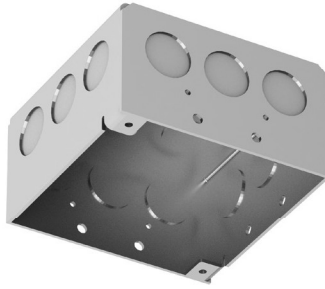


VANISHING POINT 12VAC MONOPOINT FAST JACK CEILING CONNECTION SYSTEM



DESIGNED BY GREGORY KAY | ASSEMBLED IN AMERICA | US PATENT PENDING

REV 04.18.25



To Remote Power Supply (not included, see page 8)

TE-60L-12 Power Supply
fits in J-Box

To Remote Power Supply (not included, see page 8)



VR-FJ

Vanishing Point Flush to dry wall, plaster in and paint, with Remote Power

V2P-FJ

Vanishing Point 2" Flush Canopy to dry wall, plaster in and paint, with ELV power supply in J-Box

V2MR-FJ

Vanishing Point 2" Flush Canopy for Millwork with Remote Power

PROJECT		FIXTURE TYPE		DATE	
---------	--	--------------	--	------	--



PISTON

FJ12 VANISHING POINT CONNECTOR



DESIGNED BY GREGORY KAY | ASSEMBLED IN AMERICA | US PATENT PENDING

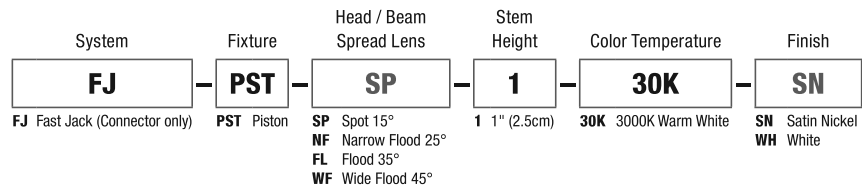
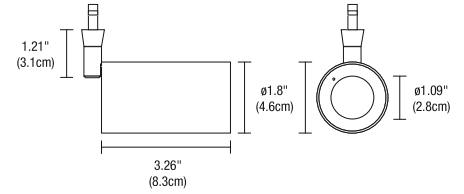
REV 04.18.25



FJ-PST-SP-1-30K-SN
Satin Nickel



FJ-PST-SP-1-30K-WH
White



REBEL

FJ12 VANISHING POINT CONNECTOR



DESIGNED BY GREGORY KAY | ASSEMBLED IN AMERICA | US PATENT PENDING

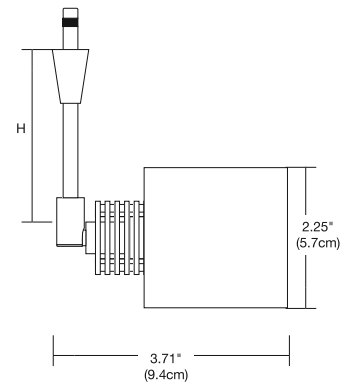
REV 04.18.25



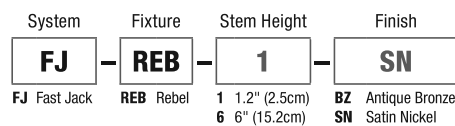
FJ-REB-1-SN
Satin Nickel



FJ-REB-1-BZ
Antique Bronze



Removable Hot Aiming
Handle Supplied



PROJECT	FIXTURE TYPE	DATE
---------	--------------	------



BUBBLE BALL

FJ12 VANISHING POINT CONNECTOR



DESIGNED BY GREGORY KAY | ASSEMBLED IN AMERICA | US PATENT PENDING

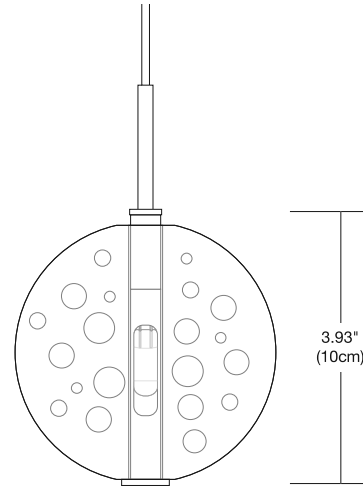
REV 04.18.25



FJ-BBCL-10FT-12-SN
Clear



FJ-BBBL-10FT-12-SN
Blue



System	Shade	Cable / Cord	Voltage	Finish
FJ	BBCL	10FT	12	SN
FJ Fast Jack	BBCL Bubble Ball Clear BBBL Bubble Ball Blue	10FT 10 ft. 20FT 20 ft. 30FT 30 ft.	12 12 Volt	SN Satin Nickel



SALUTI

FJ12 VANISHING POINT CONNECTOR



DESIGNED BY GREGORY KAY | ASSEMBLED IN AMERICA | US PATENT PENDING

REV 04.18.25



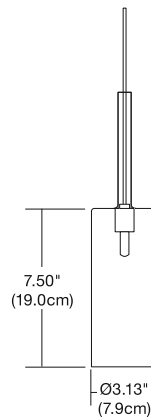
FJ-SALUTI-SM-GY-SN
Small (3" diameter) Gray



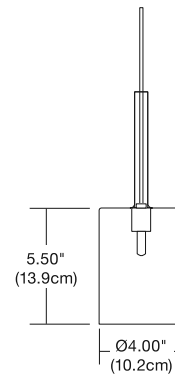
FJ-SALUTI-MD-CR-SN
Medium (4" diameter) Crystal



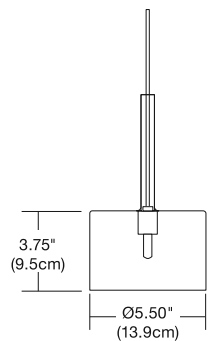
FJ-SALUTI-LG-GY-SN
Large (5.5" diameter) Gray



Small



Medium



Large

System	Shade	Size	Lamp	Glass Color	Finish
FJ	SALUTI	SM	L1	GY	SN
FJ Fast Jack	SALUTI Saluti	SM Small (3" diameter) MD Medium (4" diameter) LG Large (5.5" diameter)	L1 LED	CR Crystal GY Gray	SN Satin Nickel

PROJECT		FIXTURE TYPE		DATE	
---------	--	--------------	--	------	--



VANISHING POINT 12VAC MONOPOINT FAST JACK CEILING CONNECTION SYSTEM



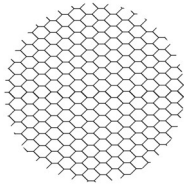
REV 04.18.25



MR16 LOUVER LENS HOLDER

MR16 Louver Lens Holders secure onto the front of the MR16 lamp holding up to two Lenses or a combination of a Hexcell Louver and Lens. Compatible with Chopper, Spirit, Low Rider, and Rebel heads.

Accessory		Finish	
LH16	Louvers Lens Holder	SN	Satin Nickel
		BK	Black
		BZ	Antique Bronze



MR16 HEXCELL LOUVER

MR16 Hexcell Louver Accessory eliminates glare. 2 inch diameter x .125 inch thick. Compatible with Chopper, Spirit, Low Rider, and Rebel heads.

Accessory	
L016-H	MR16 Hexcell Louver



ST16-SN

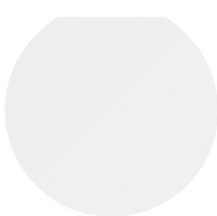
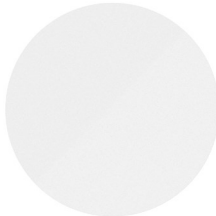


STB16-BK

SNOOT

The Snoot prevents glare and focuses the projected light from the lamp. Compatible with Chopper, Spirit, Low Rider, and Rebel heads.

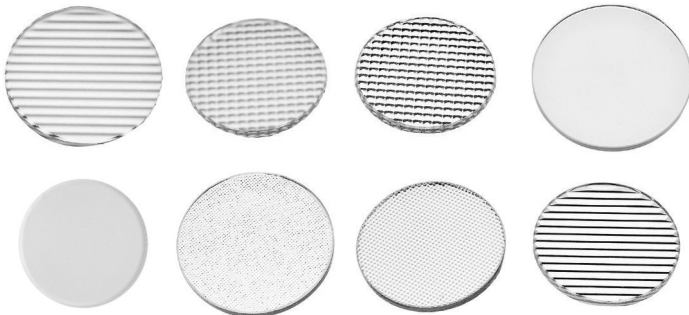
Accessory		Finish	
ST16	Straight Snoot MR16	SN	Satin Nickel
STB16	Conical Snoot MR16	BK	Black
		BZ	Antique Bronze
		SN	Satin Nickel



FILM LENS SOFT FOCUS

SF Soft Focus diffuses a beam pattern to provide even illumination. LS Linear spread lens directs 10°, 15°, 25° beams into an elongated shape. This is typically used in long rectangle paintings and art work, 35°, 40°, 60° lamps produce an elongated oval shape used in art work and wall washing. Compatible with Chopper, Spirit, Low Rider, and Rebel heads.

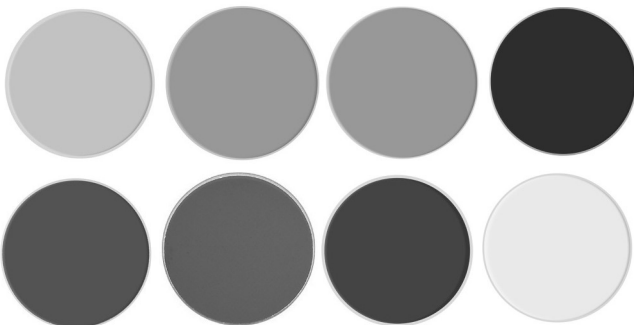
Film Size		Film Type	
LF2.0	2.0" Film	SF	Soft Focus
		LS	Linear Spread



2" ROUND GLASS OPTICAL LENS

The soft focus lens reduces lamp glare, spread lenses elongate and diffuser lenses diffuse the light beam. UV filter lens allows quality light to pass through while blocking the ultra violet radiation. Compatible with Rebel Head.

Lens		Optical Type			
L16	MR16 Lens	SF			
F	Frost	WDF	Wide Diffuser Frost		
SF	Soft Focus	LS	Linear Spread		
MD	Medium Diffuser	LSF	Linear Spread Frost		
WD	Wide Diffuser	UV	UV Glass		



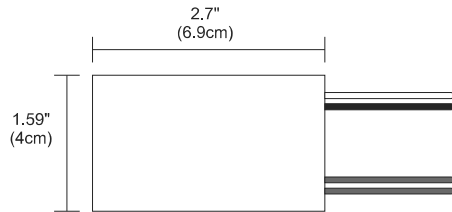
2" ROUND DICHROIC GLASS LENS

Dichroic lenses operate on a passive-reflective basis, reflecting unused wavelengths while allowing desired portions of the spectrum to pass through. Dichroics are high in transmission, producing brighter, cleaner, saturated colors. Compatible with Rebel Head.

Lens		Dichroic Color			
L16	MR16 Lens	SF			
RD	Red	BL	Blue		
YL	Yellow	PH	Peach		
GR	Green	DP	Dark Pink		
CW	Cool White (3100K-4250K)	MG	Magenta		

PROJECT	FIXTURE TYPE	DATE
---------	--------------	------

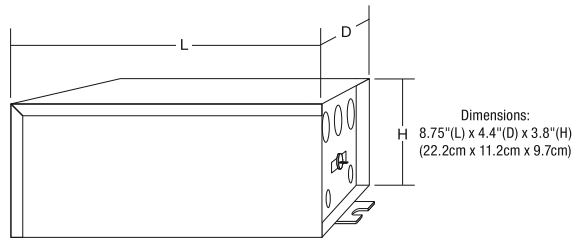
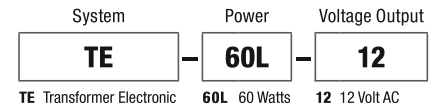
VANISHING POINT 12VAC MONOPOINT FAST JACK CEILING CONNECTION SYSTEM



REMOTE 60W 12VAC CLASS 2 POWER SUPPLY

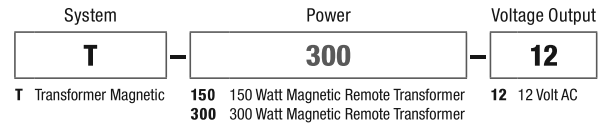
TE-60L-12 60 Watt 12VAC Electronic Transformer converts 120 volt line voltage to 12 volts and features built-in short-circuit protection. The solid, lightweight remote power supply fits inside a standard electrical junction box behind a power feed canopy. Must be in an accessible location or inside an electrical box. Must be within 10' of lamp, max six 9 watt fixtures.

- No load technology, works with LED AC loads
- Isolated output power per NEC and UL safety requirements
- UL recognized/listed Class 2 power supply, meets UL 2108 requirements
- Auto-reset; Short circuit, Overload and Thermal protection
- Soft start
- Dimmable with ELV dimmer



REMOTE MAGNETIC TRANSFORMER UL2108 150W AND 300W 12VAC POWER SUPPLY (SOLD SEPARATELY)

The 150 watt or 300 watt 12 Volt Remote Magnetic Transformer converts 120VAC line voltage into 12VAC low voltage power and are protected by fast-acting circuit breakers. The low voltage output powers the Vanishing Point System up to 300 watts using LED MR16 12V lamps, 8 watts max per connection. Power up to 30 Vanishing Point fixtures using a single power supply at 300 Watts and 8 Watts per Lamp. Dimmable with Magnetic Low Voltage Dimmer sold separately.



PROJECT		FIXTURE TYPE		DATE	
---------	--	--------------	--	------	--