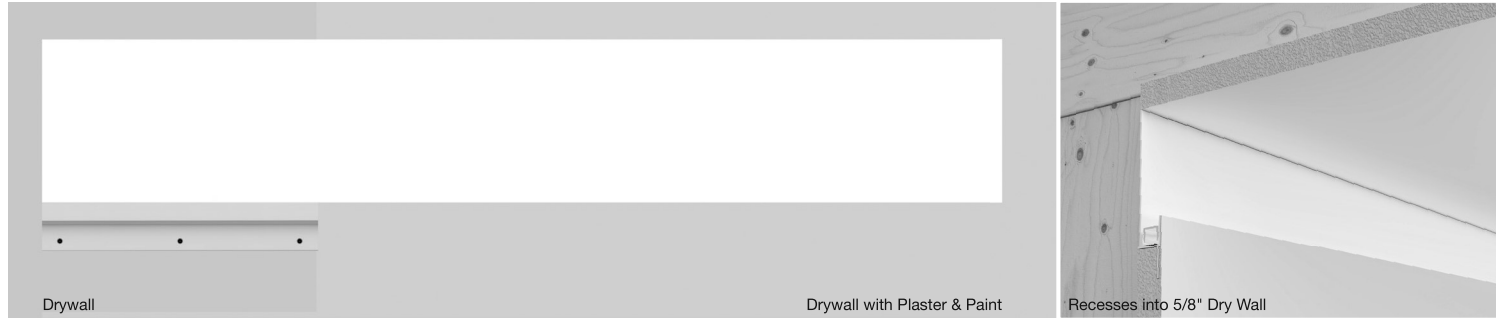


VERGE WALL

24VDC, PLASTER-IN LED SYSTEM, STATIC WHITE

BY GREGORY KAY, ORIGINAL DESIGNER OF 5/8" DRYWALL PRODUCTS | ASSEMBLED IN AMERICA

REV 07.24.25



DESCRIPTION

Verge Wall Static White is another innovative design that comes from the family of plaster-in 24VDC systems pioneered by PureEdge that recesses within 5/8" drywall without joist modification. Verge Wall creates and highlights the transition space where two drywall surfaces join together while emitting ambient illumination, redefining the relationship between lighting and architecture. Order in 1' field-cutable increments up to 40', the slim plaster-in aluminum extrusion has a 4" paintable backer plate. Offered in multiple wattage and color temperatures ranging from 2400K through 4000K. [Click here for all Other Color Temperatures.](#) Verge brings together a Modern and Dynamic appearance to Residential and Commercial environments, offering unlimited creativity and empowering you to design One-of-a-kind spaces every time. Remote Power supplies are required and sold separately. Coordinate installation with electrical and drywall contractors. Includes a 5-year pro-rated warranty. For custom quotes and layout assistance, send drawings to design@PureEdgeLighting.com.

DESIGN NOTE

Verge Wall may be installed on a single surface for cove and toe-kick applications. Ambient and harmonious, the plaster-in LED system blends into 5/8" thick drywall to enhance the contemporary aesthetic of interior spaces. Verge offers unsurpassed flexibility that transforms interiors into thoughtful, unique works of art.

MAXIMUM LENGTHS BEFORE RE-FEEDING

- 2WDC, 2.5 watts per foot - 40'
- 5WDC, 4.4 watts per foot - 20'
- 7WDC, 7.5 watts per foot - 12'

LAMP

- Offered in multiple Static White Color Temperatures: 2400K, 2700K, 3000K, 3500K & 4000K
- Lumen Performance: 307lm/ft at 3000K 7 watts per foot
- Designer Grade High CRI 95+ LEDs
- Average life: 50,000 hours
- For additional color temperatures refer to other specifications

REMOTE POWER SUPPLIES*, DIMMERS & CONTROLS (SOLD SEPARATELY)

24VDC, Class 2 wiring

- [Pure Smart™ WiZ Pro Power Supplies & Controls](#)
- [UNI Driver: Universal Dimming \(TRIAC, ELV, 0-10V\) ELV & TRIAC Smart Dimmer & Switch](#)
- [0-10V](#)
- [Lutron Hi-Lume/Ecosystem](#)

*In-Wall Mounting and drop ceiling Kits available for select power supplies

INCLUDED COMPONENTS

Junction Box, Adjustable Mounting Bars, Backer Plate, Verge Wall Channel(s), Drywall Screws, LED Strip, and Lens(es)

APPLICATIONS

Indoor damp or dry locations only. Wall Mount for use as Cove lighting or use at the Floor for Floating Wall effects. Ideal applications include Residential, Commercial, Retail, and Hospitality environments.

COMPLIANCE

ETL, Class 2, Damp Location, Assembled in the USA.

For quick & easy reference, plus the most up-to-date pricing, use our Configurator. [Verge Wall](#)

PureEdge is the Original Designer of 5/8" Drywall Products, Backed by Over 30 Years of Precision Manufacturing and Design.

System	Watts Per Foot	Length in Feet	Color Temperature
VG	2WDC	1-40FT	ST27K
VG Verge Wall	2WDC 2.5 Watts (40ft Max) 5WDC 5 Watts (20ft Max) 7WDC 7.5 Watts (12ft Max)	1-40FT 1-20FT 1-12FT	ST24K 2400K Very Warm White ST35K 3500K Neutral White ST27K 2700K Incandescent White ST40K 4000K Cool White ST30K 3000K Warm White

PROJECT		FIXTURE TYPE		DATE	
---------	--	--------------	--	------	--

VERGE WALL

24VDC, PLASTER-IN LED SYSTEM, STATIC WHITE

NOMINAL LAMP DATA

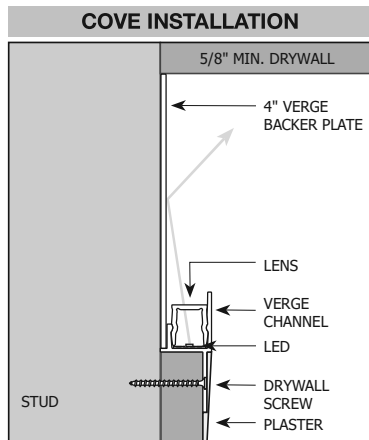
WATTS PER FOOT	2W (2.5 watts)					5W (4.4 watts)					7W (7.3 watts)				
COLOR TEMPERATURE	24K	27K	30K	35K	40K	24K	27K	30K	35K	40K	24K	27K	30K	35K	40K
LUMENS PER FOOT (lm/ft)	102	103	108	124	130	189	191	199	229	241	292	295	307	354	372
LUMENS PER WATT (lm/w)	41	41	43	50	52	43	43	45	52	55	40	40	42	48	51
CRI	92+	92+	92+	92+	92+	92+	92+	92+	92+	92+	92+	92+	92+	92+	92+

LENGTH LOAD CHARTS: To determine the necessary wire gauge use our [Voltage Drop Calculator](#).

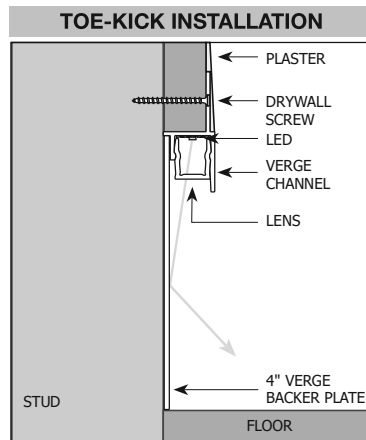
2.5 WATTS PER FOOT			
LENGTH IN FEET	WATTS	LENGTH IN FEET	WATTS
1	3	21	51
2	5	22	54
3	8	23	56
4	10	24	58
5	13	25	61
6	15	26	63
7	17	27	66
8	20	28	68
9	22	29	70
10	24	30	72
11	27	31	51
12	29	32	54
13	32	33	56
14	34	34	58
15	37	35	61
16	39	36	63
17	41	37	66
18	44	38	68
19	46	39	70
20	48	40	72

4.4 WATTS PER FOOT	
LENGTH IN FEET	WATTS
1	5
2	10
3	16
4	20
5	24
6	30
7	34
8	40
9	44
10	48
11	54
12	58
13	64
14	68
15	72
16	78
17	82
18	88
19	92
20	96

7.5 WATTS PER FOOT	
LENGTH IN FEET	WATTS
1	7.5
2	15
3	22.5
4	30
5	37.5
6	45
7	52.5
8	60
9	67.5
10	75
11	82.5
12	90

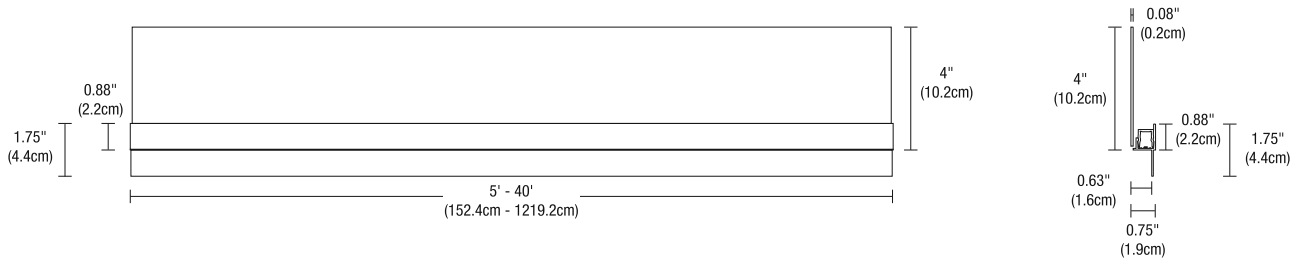


Direction of Light

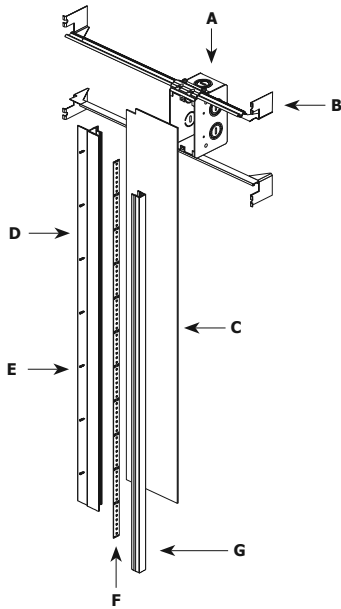


Direction of Light

PROJECT		FIXTURE TYPE		DATE	
---------	--	--------------	--	------	--



INCLUDED COMPONENTS



A. JUNCTION BOX

Mounts behind drywall with Adjustable Mounting Bars. Low Voltage 24VDC wires from Remote Power Supply connect to the wires inside box. Junction Box opening is covered by the Backer Plate and required at the beginning of each run.

B. ADJUSTABLE MOUNTING BARS

Provide flexibility for mounting in a variety of spaces.

C. BACKER PLATE

4" paintable aluminum plate that conceals Junction Box and reflects light.

D. VERGE CHANNEL

5/8" deep extrusion houses a single row of LED Strip

E. DRYWALL SCREWS

Secures channel to drywall and stud.

F. LED STRIP

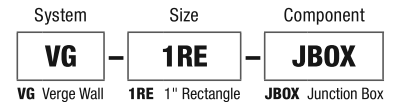
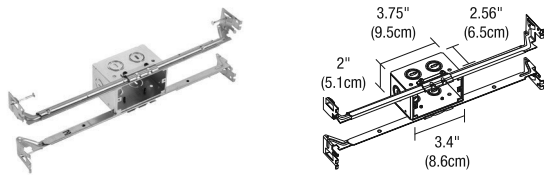
Commercial-grade White or Dynamic Color Changing LED Strip. See lamp data on for additional details.

G. LENS

0.6" wide diffused lens projects a clean line of light without LED pixelation.

JUNCTION BOX ROUGH-IN COMPONENT

One Junction Box is included with Verge Wall. Order additional Junction Box(es) separately to rough-in electrical wiring before drywall installation. Quick shipment available.

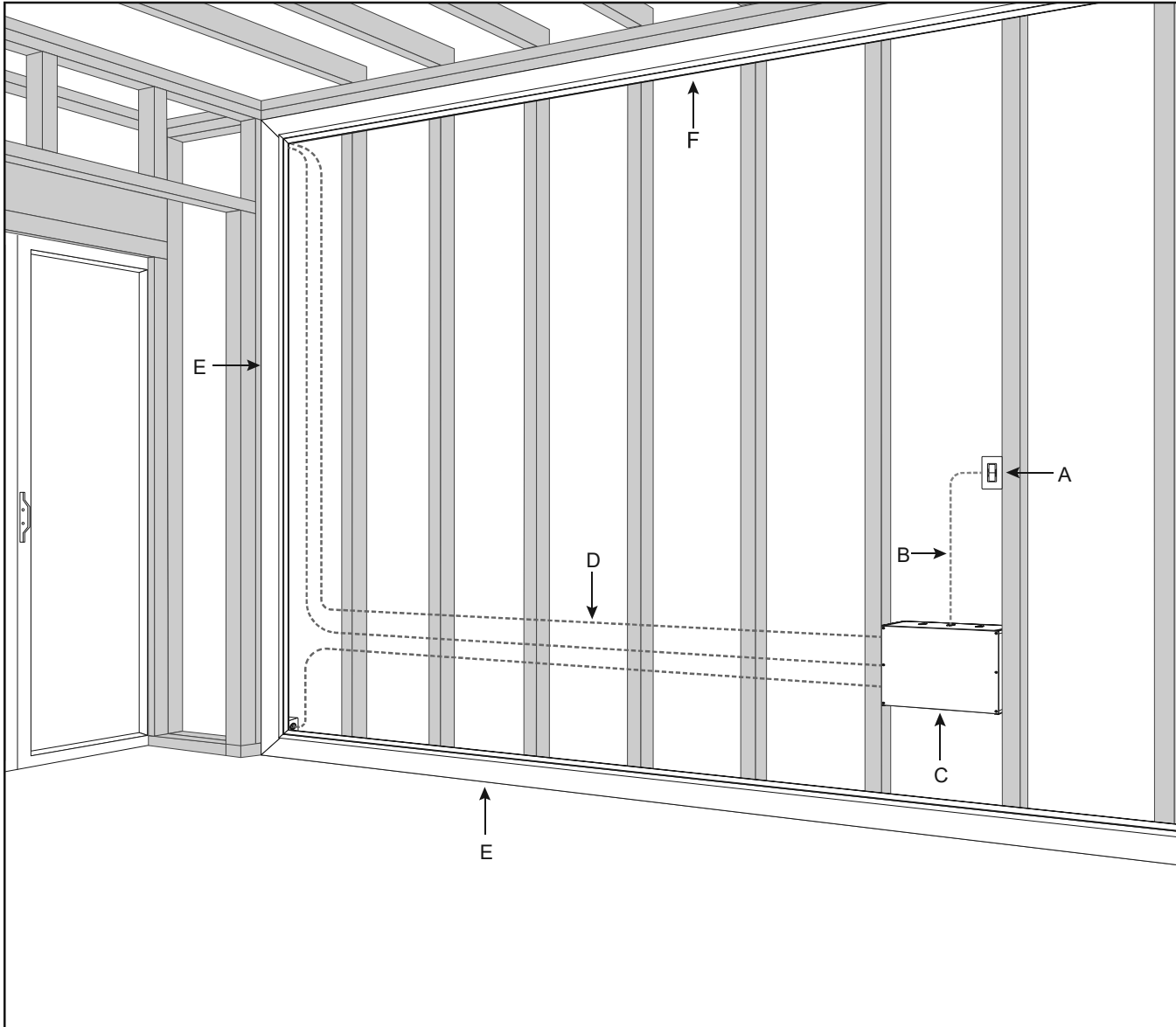


PROJECT	FIXTURE TYPE	DATE
---------	--------------	------

VERGE WALL

24VDC, PLASTER-IN LED SYSTEM, STATIC WHITE

INSTALLATION



- A. DIMMER OR SWITCH
- B. 120VAC WIRING
- C. 120V/24VDC REMOTE POWER SUPPLY FOR IN-WALL MOUNTING KIT
- D. 24VDC, CLASS 2 WIRING
- E. VERGE WALL CHANNEL
- F. LED STRIP

PROJECT		FIXTURE TYPE		DATE	
---------	--	--------------	--	------	--



DESCRIPTION

The Pure Smart™ Wi-Fi dimmer works with non-smart bulbs and fixtures compatible with forward phase or Triac dimming (not compatible with 0-10V Dimming). Smart Wi-Fi Dimmer also allows for scheduling, grouping, voice control and control from anywhere via the WiZ app on your mobile device or the WiZ Pro Dashboard on your desktop.

OPERATION*

Features an ON/OFF switch and dimming functionality activated with a long press of the On (Brightness Up) or Off (Brightness Down) button. 400W Maximum Incandescent load, 150W CFL and/or retrofit LED bulb. Minimum trim and fade in/out settings are adjusted in the WiZ App. Communicates over 2.4 GHz Wi-Fi only. If remote power is being used, this dimmer is only compatible with PureEdge Universal Power Supplies. No Hub Required.

*When dimming traditional CFL/LEDs, ensure they are marked as dimmable.

BODY

Durable polycarbonate body. Compatible with decorator style wall plate (Not Included)

EASY INSTALLATION

The Pure Smart™ Wi-Fi Dimmer installs just like a regular in-wall switch. Works with any non-smart Static CCT or Warm Dim bulb/fixture compatible with forward phase or Triac dimming. Can be used in 3-way applications with [Pure Smart Room Controllers](#) as companions only (Reference Manual for Wiring Diagram). Compatible with standard gangable boxes. Requires neutral wire. No Hub Required.

WIZ APP

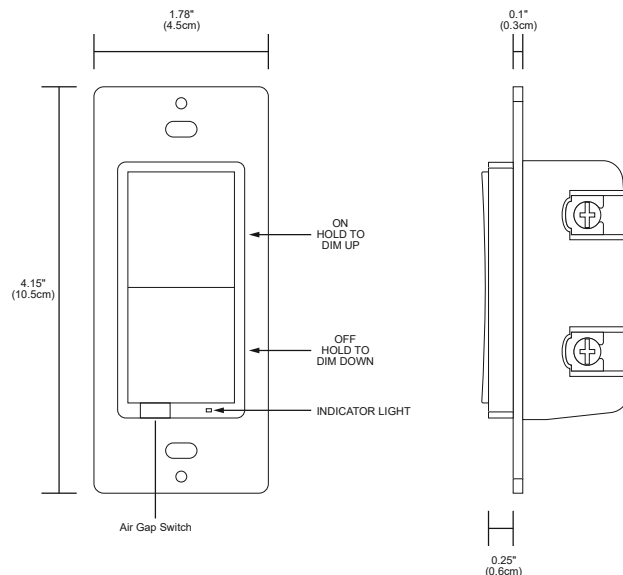
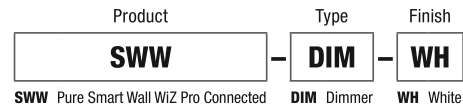
The Pure Smart™ Dimmer can be controlled via the WiZ app (works with iOS and Android) from anywhere. Voice control enabled when used in conjunction with Google Assistant, Siri, Alexa, IFTTT, and SmartThings. Grouping, zoning, and scheduling can all be programmed with the WiZ app or WiZ Pro Dashboard.

SECURITY

3rd party log-in and cloud security provide a safe and protected connection. WiZ does not store nor share any personal information.

SPECIFICATIONS

Approved Location	Dry / Indoor
Input Voltage	120Vac - 60 Hz
Certification	cULus, FCC
Compatible Load(s)	Any non-smart bulb or fixture *Triac, ELV (Reverse Phase/ Trailing Edge dimming) and MLV (Forward Phase/Leading Edge Dimming) only
Maximum Power	Incandescent: 400W Compact Fluorescent (CFL): 150W LED: 150W
Dimming	Dims to 1% with app trim setting at 30%
Operating Temperature	23°F~113°F (-5°C~45°C)
Wireless Frequency	2.4GHz
Radio Frequency	Certified IEEE 802.11, Wi-Fi 2.4Ghz radio
Wireless Standard	IEEE 802.11
Warranty	3-Year



PROJECT	FIXTURE TYPE	DATE
---------	--------------	------

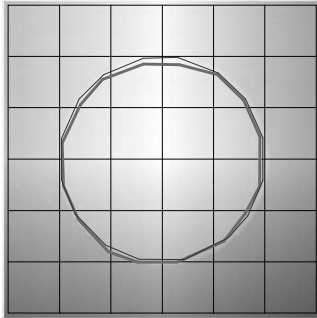
TM30 DATA

24VDC, PLASTER-IN LED SYSTEM, STATIC WHITE

TM-30-15 DATA: The data below is for bare LED Static White Strip. Consistent color temperatures throughout a single strip and among multiple strips is possible through a 3 phase binning process in which each order is inspected with a color meter to ensure uniformity.

2400K | Rf: 84.5 | Rg: 94.4

Color Vector Graphic

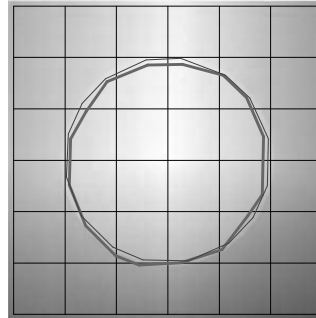


■ Test ■ Reference

HUE BIN	Rf	GRAPHIC SHIFTS %	
		CHROMA	HUE
1	92	-2.4%	1.5%
2	94.7	-2.1%	-0.0%
3	95.4	-1.9%	-0.1%
4	88.7	-6.7%	-3.1%
5	92.8	-5.6%	1.0%
6	92.7	-3.4%	3.4%
7	89.9	-4.3%	4.1%
8	92.4	-1.4%	4.4%
9	89	-0.6%	5.8%
10	88.9	0.4%	6.2%
11	89.7	4.0%	5.4%
12	92.6	3.0%	-0.7%
13	90.9	1.1%	-7.0%
14	89.9	0.5%	-5.8%
15	92.1	-3.2%	0.1%
16	88.9	-1.7%	-6.3%

2700K | Rf: 87.7 | Rg: 96.1

Color Vector Graphic

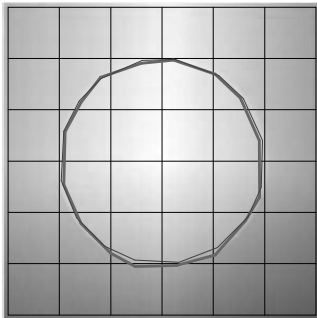


■ Test ■ Reference

HUE BIN	Rf	GRAPHIC SHIFTS %	
		CHROMA	HUE
1	88.0	-4.3%	2.6%
2	91.6	-2.4%	2.0%
3	93.7	-1.4%	1.9%
4	88.9	-5.6%	-3.1%
5	92.3	-5.5%	-0.5%
6	92.9	-3.5%	0.1%
7	84.5	-7.5%	4.6%
8	90.8	-3.0%	4.4%
9	84.5	-1.3%	8.3%
10	83.9	2.0%	9.8%
11	87.2	5.3%	7.1%
12	89.2	5.4%	-2.6%
13	88.7	0.3%	-7.8%
14	86.8	1.7%	-9.3%
15	87.6	-5.4%	-1.3%
16	83.6	-3.3%	-9.5%

3000K | Rf: 88.1 | Rg: 99.7

Color Vector Graphic

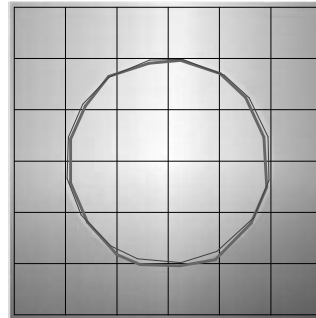


■ Test ■ Reference

HUE BIN	Rf	GRAPHIC SHIFTS %	
		CHROMA	HUE
1	92.5	-3.1%	0.3%
2	93.3	-2.3%	1.9%
3	90.9	-0.8%	3.9%
4	94.3	-1.1%	1.4%
5	92.5	-2.6%	1.5%
6	96.4	1.2%	-0.3%
7	92.6	-2.5%	-0.0%
8	96.9	-1.4%	0.2%
9	92.3	-1.8%	4.3%
10	86.6	-0.7%	7.0%
11	86.5	2.4%	8.2%
12	89.8	5.9%	1.7%
13	93.9	2.6%	-2.7%
14	89.4	5.1%	-5.8%
15	90.1	-0.1%	-4.7%
16	86.5	0.3%	-9.7%

3500K | Rf: 86.1 | Rg: 95.5

Color Vector Graphic

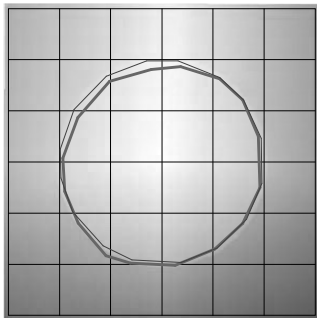


■ Test ■ Reference

HUE BIN	Rf	GRAPHIC SHIFTS %	
		CHROMA	HUE
1	90.8	-3.8%	0.3%
2	92.3	-2.8%	2.1%
3	89.7	-1.0%	4.3%
4	92.6	-1.4%	1.7%
5	91.8	-3.1%	1.3%
6	96.2	0.8%	-0.4%
7	92.9	-3.2%	0.2%
8	94.3	-2.5%	1.5%
9	90.4	-2.5%	5.2%
10	84.3	-1.4%	9.5%
11	83.1	3.5%	9.8%
12	88.2	4.8%	3.4%
13	94.0	2.7%	-2.0%
14	88.7	5.9%	-5.8%
15	88.7	0.7%	-5.9%
16	86.8	-0.7%	-6.7%

4000K | Rf: 87.6 | Rg: 96.8

Color Vector Graphic



■ Test ■ Reference

HUE BIN	Rf	GRAPHIC SHIFTS %	
		CHROMA	HUE
1	88.9	-2.4%	2.5%
2	93.3	-0.4%	0.8%
3	94.8	-1.0%	-0.6%
4	87.9	-4.9%	-3.6%
5	85.3	-9.4%	-2.6%
6	90.2	-6.0%	0.2%
7	85.3	-7.6%	4.6%
8	83.7	-4.1%	8.2%
9	79.5	-1.1%	13.8%
10	78.6	1.5%	12.1%
11	83.5	6.4%	7.8%
12	90.9	3.6%	-1.1%
13	88.3	1.7%	-6.3%
14	91.9	-0.4%	-2.2%
15	84.5	-0.9%	-5.5%
16	84.7	-1.1%	-4.4%

PROJECT		FIXTURE TYPE		DATE	
---------	--	--------------	--	------	--