

# CIRRUS MIYO RECTANGLE WITH LIT CORNERS

## 24VDC LED MAKE-IT-YOUR-OWN SUSPENSION, STATIC WHITE & WARM DIM

DESIGNED BY GREGORY KAY | ASSEMBLED IN AMERICA | US PATENT ISSUED

REV 08.16.21



### DESCRIPTION

Clean Linear channels and lit corners form the seamless aesthetic of the MIYO (Make-it-Your-Own) Rectangular Suspension. The channels are available in 5 or 7 watts per foot with a diffused white 100° lens in Standard or High Efficiency. Our MIYO family fixtures and systems allow you to become the Lighting Designer; offered in multiple finishes, nine color temperatures including Warm Dim (**27D and 30D**), and lengths from 8" to 49" with up to 95+CRI rendering colors in their truest forms, giving you the ability to design the perfect fixture for any space. Order **CSD\_P** with power supplies included in the Canopy or **CSD\_R** with remote power supplies sold separately. Fixture includes a 5 year pro-rated warranty. For custom designs and layout assistance, email our design team [design@PureEdgeLighting.com](mailto:design@PureEdgeLighting.com).

### FINISHES



### LENSES

Diffused White Standard or High Efficiency Lens with 100° beam spread

### LAMP

- Choose from 9 color temperatures from 2200K-5700K
- Warm Dim (optional): 2700K to 2000K (**27D**) or 3000K to 2000K (**30D**)
- For Tunable White see other spec sheet
- 50,000 Hour Lamp Life

### POWER & CANOPY SPECIFICATIONS

#### CSD\_P: Power Supply in Canopy (Included)

- 4" Round Flush Canopy up 50 watts, 8" Surface Mount Canopy up to 96 watts
- Power: 120VAC-277VAC
- Electronic Low Voltage Dimming (**ELV**)<sup>†</sup>

#### CSD\_R: Remote Power Supplies (Sold Separately)\*

- 4" Round Flush Canopy
- Power: 24VDC, Class 2 wiring
- UNI Driver: Universal Dimming (**TRIAC, ELV, 0-10V**)
- Electronic Low Voltage Dimming (**ELV**)<sup>†</sup>
- 0-10V
- Lutron Hi-Lume<sup>®</sup>

\*In-Wall Mounting Kits available for select power supplies

<sup>†</sup>ELV power supplies are not compatible with nLight or Title 24 compliant, use only 0-10 volt or Universal driver power supplies

### APPLICATIONS

Designed for Indoor Use Only. Ideal Applications include commercial, architectural, retail and residential spaces including offices, conference rooms, entrance halls, lobbies, Kitchens, Dining Rooms and more.

### APPROVALS

Damp Location, ETL Listed, Class 2 wiring

System	Type	Wattage Per Foot	Canopy	Nominal Size (Inches)	Color Temperature	Finish
<b>CSDSR</b>	<b>RE</b>	<b>5W</b>	<b>C</b>	<b>8x44</b>	<b>22K</b>	<b>SN</b>
<b>CSDSP</b> Cirrus MIYO Standard Efficiency Diffused Lens, Power Supply in canopy* <b>CSDHP</b> Cirrus MIYO High Efficiency Diffused Lens, Power Supply in canopy* <b>CSDSR</b> Cirrus MIYO Standard Efficiency Diffused Lens, Remote Power <b>CSDHR</b> Cirrus MIYO High Efficiency Diffused Lens, Remote Power	<b>RE</b> Rectangle	<b>5W</b> 4.4 watt <b>7W</b> 7.3 watt	<b>C</b> Center Feed <b>E</b> End Feed	8" - 43" x 13" - 49"	<b>22K</b> 2200K Amber White <b>24K</b> 2400K Very Warm White <b>27K</b> 2700K Incandescent White <b>27D</b> 2700K Warm Dim (5W only) <b>30K</b> 3000K Warm White <b>30D</b> 3000K Warm Dim (5W only) <b>35K</b> 3500K Neutral White <b>40K</b> 4000K Cool White <b>57K</b> 5700K Daylight White	<b>BK</b> Black <b>BZ</b> Antique Bronze <b>CH</b> Chrome <b>SN</b> Satin Nickel <b>WH</b> White <b>BB</b> Satin Brass with Black Canopy <b>BW</b> Satin Brass with White Canopy

\*4" Round Flush Canopy up 50 watts, 8" Surface Mount Canopy up to 96 watts

Refer to canopy specifications above

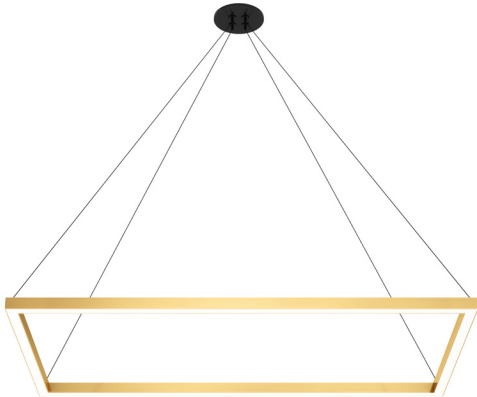
See length chart for exact sizes

PROJECT	FIXTURE TYPE	DATE
---------	--------------	------

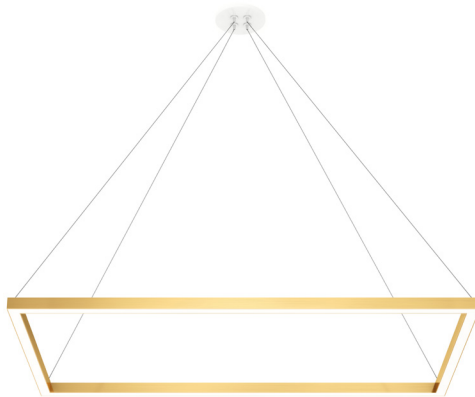
# CIRRUS MIYO RECTANGLE WITH LIT CORNERS

24VDC LED MAKE-IT-YOUR-OWN SUSPENSION, STATIC WHITE & WARM DIM

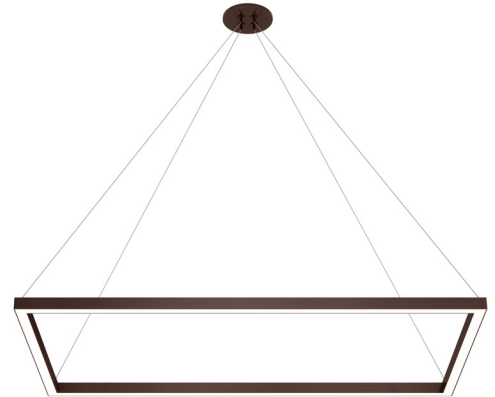
**Finishes:** Finishes available for the Cirrus MIYO Rectangle LED Suspension fixture



**CSDSR-RE-5W-C-23X44-40K-BB**



**CSDSR-RE-5W-C-23X44-40K-BW**



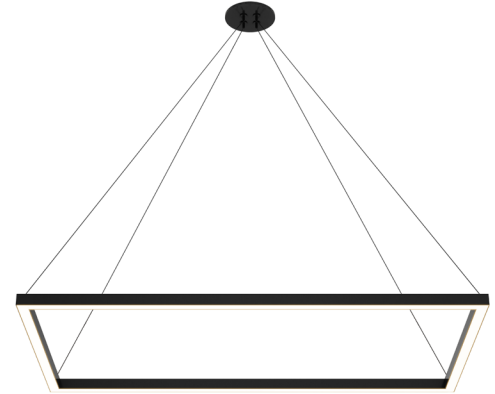
**CSDSR-RE-5W-C-23X44-40K-BZ**



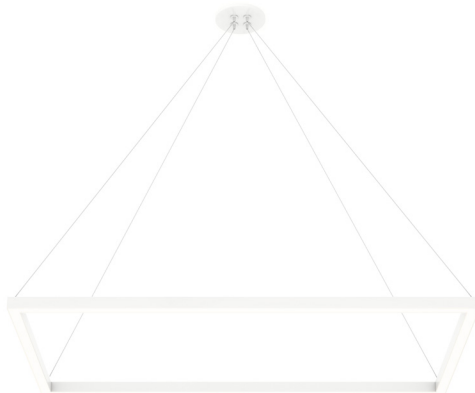
**CSDSP-RE-5W-C-23X44-40K-CH**



**CSDSP-RE-5W-C-23X44-40K-SN**



**CSDSP-RE-5W-C-23X44-40K-BK**



**CSDSR-RE-5W-C-23X44-40K-WH**

PROJECT		FIXTURE TYPE		DATE	
---------	--	--------------	--	------	--

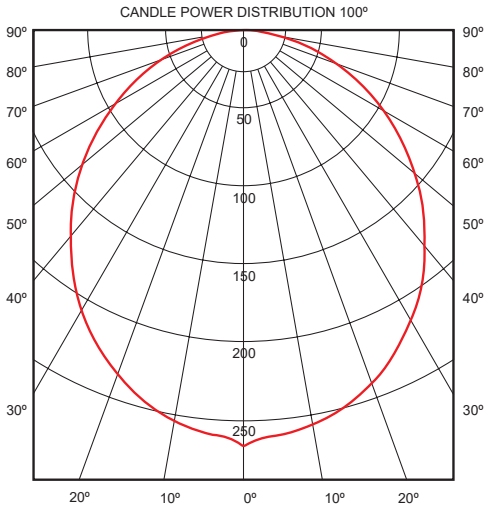
**Lamp Data:** Lamp data for Cirrus MIYO Rectangle LED Suspension

CSDSP																
Standard Efficiency, 100° Diffused White Lens																
DESCRIPTION	5w (4.4 watts)									7w (7.3 watts)						
WATTS PER FOOT	5w (4.4 watts)									7w (7.3 watts)						
COLOR TEMPERATURE	22K	24K	27K	27D*	30K	30D*	35K	40K	57K	22K	24K	27K	30K	35K	40K	57K
LUMENS PER FOOT (lm/ft)	208	231	253	314	277	314	317	345	367	339	377	414	453	518	563	600
LUMENS PER WATT (lm/w)	47	52	57	65	63	65	72	78	83	47	52	57	62	71	77	82
CRI	85+	90+	95+	93+	95+	92+	85+	85+	85+	85+	90+	95+	95+	85+	85+	85+

\*27D, 30D - Warm Dim (4.8 Watts)

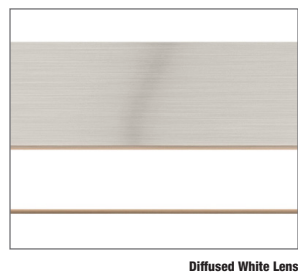
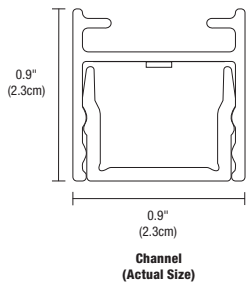
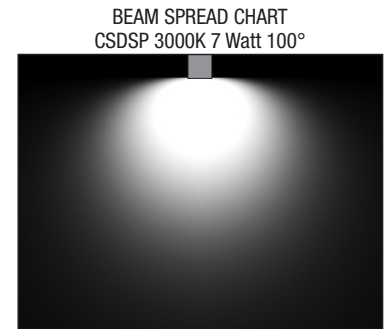
CSDHP																
High Efficiency, 100° Diffused White Lens																
DESCRIPTION	5w (4.4 watts)									7w (7.3 watts)						
WATTS PER FOOT	5w (4.4 watts)									7w (7.3 watts)						
COLOR TEMPERATURE	22K	24K	27K	27D*	30K	30D*	35K	40K	57K	22K	24K	27K	30K	35K	40K	57K
LUMENS PER FOOT (lm/ft)	249	277	304	377	332	376	380	414	440	407	452	497	543	622	676	720
LUMENS PER WATT (lm/w)	57	63	69	78	75	78	86	94	100	56	62	68	75	85	92	98
CRI	85+	90+	95+	93+	95+	92+	85+	85+	85+	85+	90+	95+	95+	85+	85+	85+

\*27D, 30D - Warm Dim (4.8 Watts)



5 WATT 100°	
DISTANCE	FOOT CANDLES
1'	122
1.5'	80
2'	59
3'	38
4'	27
5'	20
6'	15
7'	12
8'	10

7 WATT 100°	
DISTANCE	FOOT CANDLES
1'	200
1.5'	131
2'	96
3'	62
4'	45
5'	33
6'	26
7'	21
8'	18



PROJECT	FIXTURE TYPE	DATE
---------	--------------	------

# CIRRUS MIYO RECTANGLE WITH LIT CORNERS

24VDC LED MAKE-IT-YOUR-OWN SUSPENSION, STATIC WHITE & WARM DIM

**Length Chart:** Actual lengths for Cirrus MIYO Rectangle LED Suspension

22K, 24K, 27K, 30K, 35K, 40K & 57K							
Nominal Length A (Inches)	Nominal Length B (Inches)	Dim A (Inches)	Dim B (Inches)	Total Wattage (5W)	Canopy (5W)	Total Wattage (7W)	Canopy (7W)
8	13	8.2	13	16	4" Round	24	4" Round
11	15	10.6	15.4	20	4" Round	30	4" Round
13	18	13	17.8	24	4" Round	36	4" Round
15	20	15.4	20.2	28	4" Round	42	4" Round
18	23	17.8	22.6	32	4" Round	48	4" Round
20	25	20.2	25	36	4" Round	54	8" Round
23	27	22.6	27.4	40	4" Round	60	8" Round
25	30	25	29.8	44	4" Round	66	8" Round
27	32	27.4	32.2	48	4" Round	72	8" Round
30	35	29.8	34.6	52	8" Round	78	8" Round
32	37	32.2	37	56	8" Round	84	8" Round
35	39	34.6	39.4	60	8" Round	90	8" Round
37	42	37	41.8	64	8" Round	96	8" Round
39	44	39.4	44.2	68	8" Round	102	8" Round
42	47	41.8	46.6	72	8" Round	108	8" Round
44	49	44.2	49	76	8" Round	114	8" Round

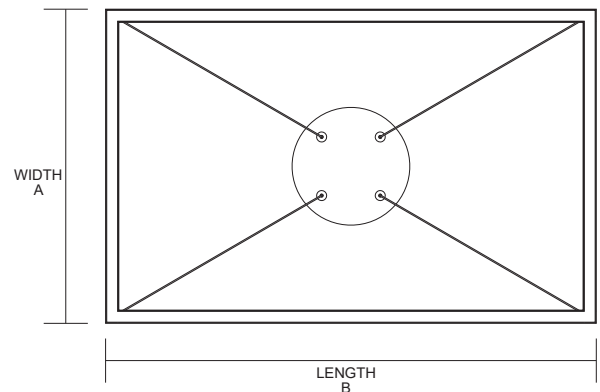
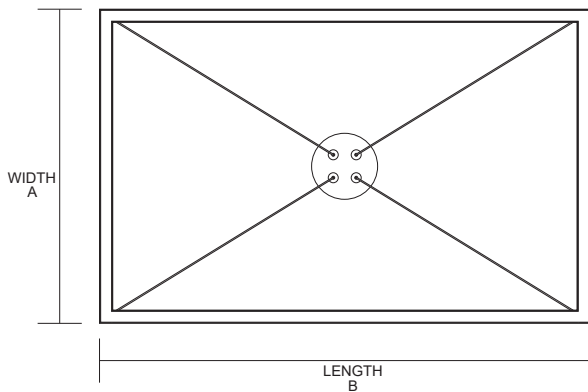
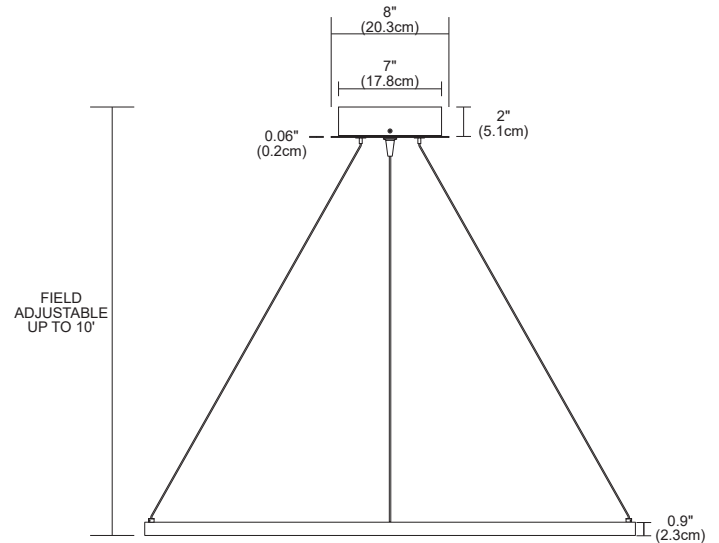
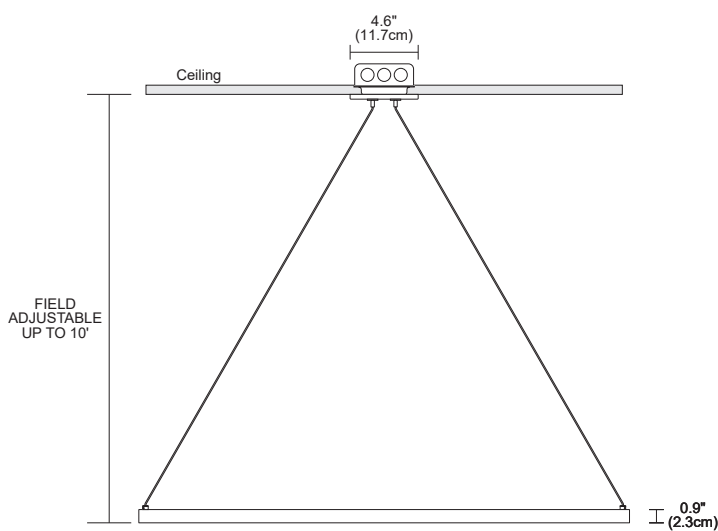
4" Round Flush Canopy up to 50 watts,  
8" Surface Mount Canopy up to 96 watts

WARM DIM (27D & 30D)					
Nominal Length A (Inches)	Nominal Length B (Inches)	Dim A (Inches)	Dim B (Inches)	Total Wattage (5W)	Canopy (5W)
10	16	10	16	20	4" Round
13	19	13	19	22	4" Round
16	22	16	22	27	4" Round
19	25	19	25	31	4" Round
22	28	22	28	36	4" Round
25	31	25	31	40	4" Round
28	34	28	34	44	4" Round
31	37	31	37	49	4" Round
34	40	34	40	53	8" Round
37	43	37	43	58	8" Round
40	46	40	46	62	8" Round
43	49	43	49	66	8" Round

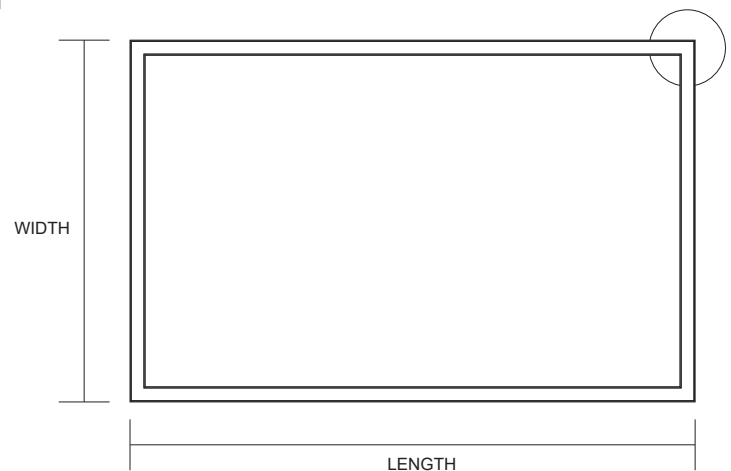
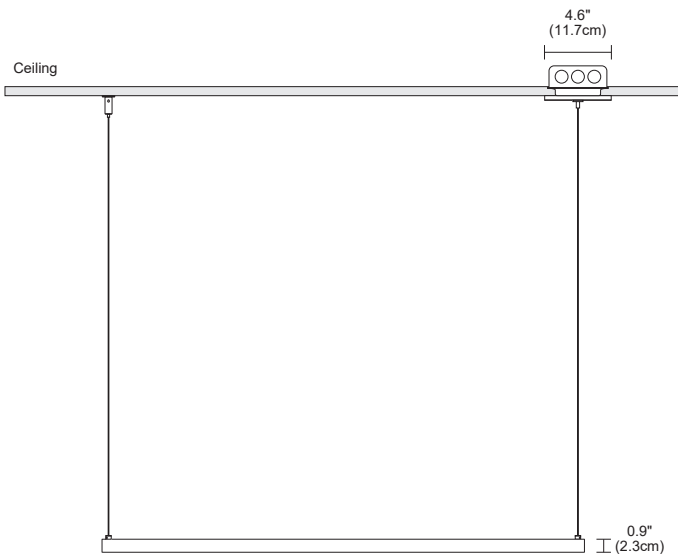
4" Round Flush Canopy up to 50 watts,  
8" Surface Mount Canopy up to 96 watts

PROJECT		FIXTURE TYPE		DATE	
---------	--	--------------	--	------	--

**Drawings:** Dimensions for the Cirrus MIYO Rectangle LED Suspension Lit Corners, Center Feed



**Drawings:** Dimensions for the Cirrus MIYO Rectangle LED Suspension Lit Corners, End Feed

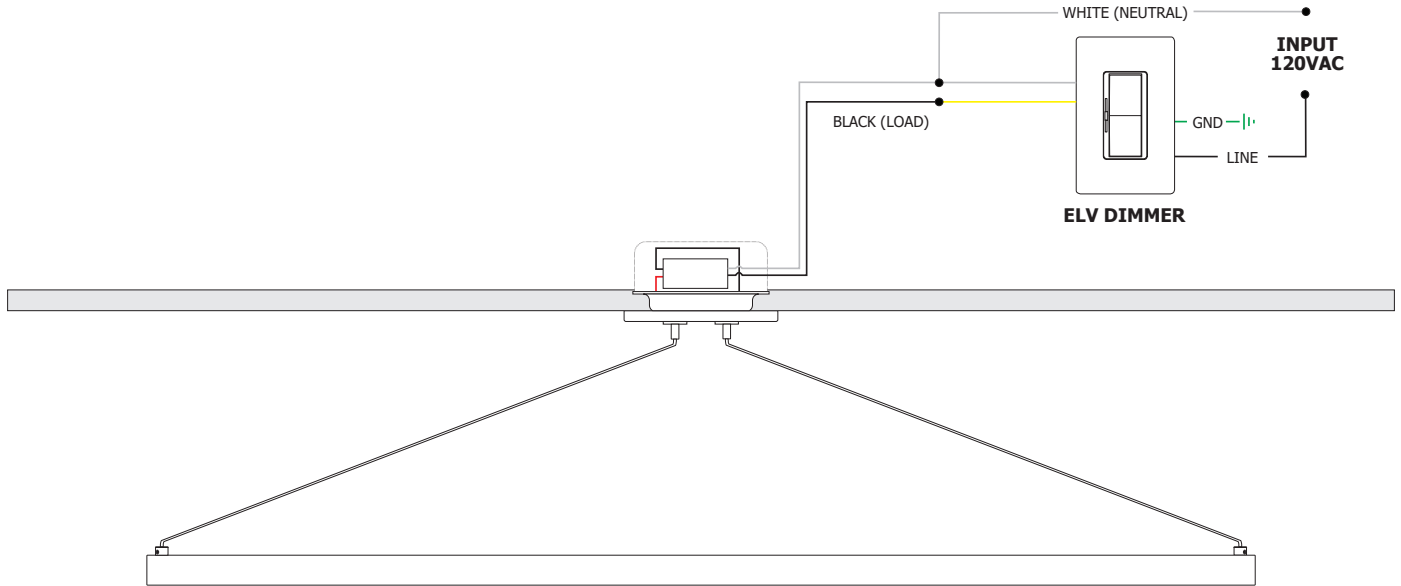


PROJECT	FIXTURE TYPE	DATE
---------	--------------	------

**Wiring Diagram:** Wiring diagram for Static White with ELV Dimmers

**Application:** ELV dimming for Cirrus MIYO Rectangle LED Lit Corners With Power Suspension, Center Feed Canopy, Static White

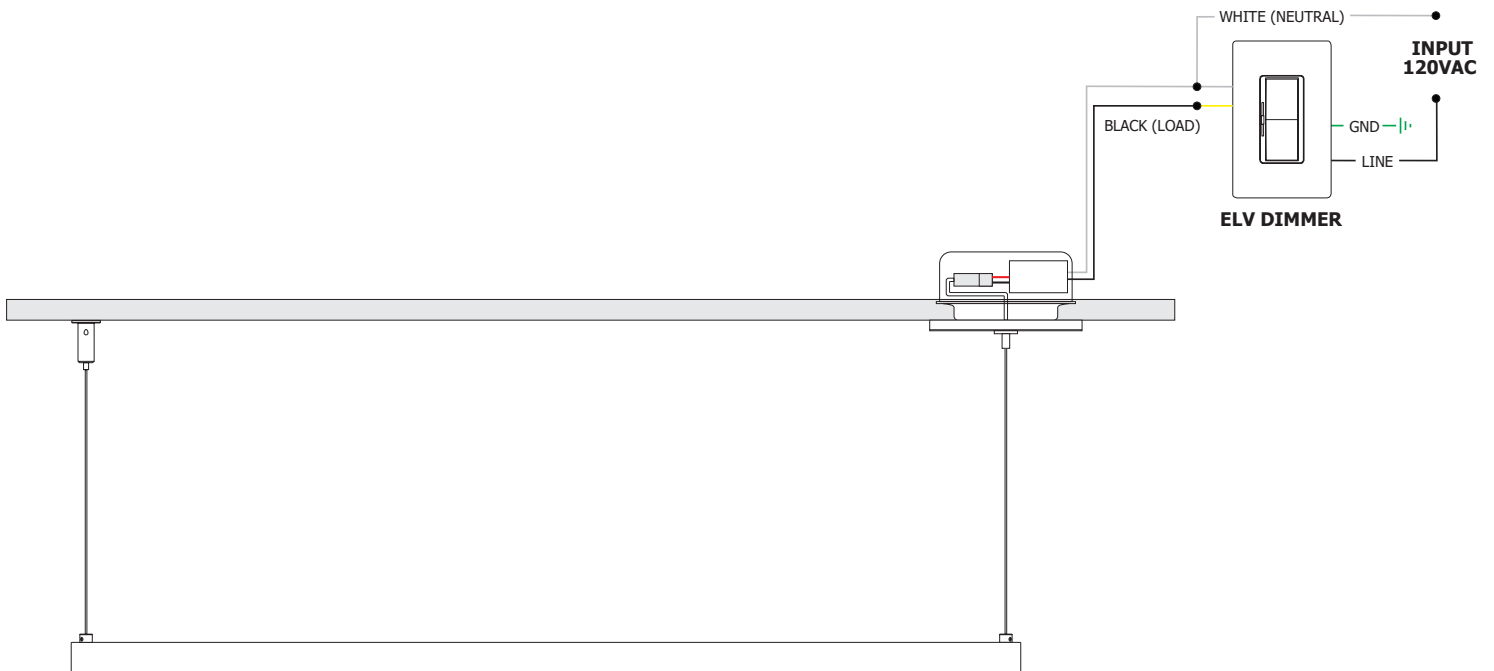
**Dimming:** Dimmable with ELV dimmer: Legrand, Adorne ADTP703TU;  
Lutron: Diva DVELV-300P, Skylark SELV-300P, Maestro MAELV-600 and Radio Ra 2



**Wiring Diagram:** Wiring diagram for Static White with ELV Dimmer

**Application:** ELV dimming for Cirrus MIYO Rectangle LED Power Suspension, End Feed Canopy, Static White

**Dimming:** Dimmable with ELV dimmer: Legrand, Adorne ADTP703TU;  
Lutron: Diva DVELV-300P, Skylark SELV-300P, Maestro MAELV-600 and Radio Ra 2



PROJECT		FIXTURE TYPE		DATE	
---------	--	--------------	--	------	--

**0-10 VOLT (010) POWER SUPPLIES & RECOMMENDED DIMMERS**

ORDERING CODE	PSB-25W-010-24VDC	PSB-60W-010-24VDC	PSB-96W-010-24VDC
SPECIFICATIONS			
MAXIMUM LOAD	25W	60W	96W
INPUT VOLTAGE	120-277VAC	120-277VAC	120-277VAC
OUTPUT VOLTAGE	24VDC	24VDC	24VDC
DIMENSIONS	12.4" X 3.12" X 2.18"	12.4" X 3.12" X 2.18"	12.4" X 3.12" X 2.18"
CLASSIFICATION	CLASS 2	CLASS 2	CLASS 2
T-BAR MOUNTING	PSB-25W-010-24VDC-TB	PSB-60W-010-24VDC-TB	PSB-96W-010-24VDC-TB
IN-WALL MOUNTING	PSB-25W-010-24VDC-IW	PSB-60W-010-24VDC-IW	PSB-96W-010-24VDC-IW

**0-10 VOLT (010) POWER SUPPLIES & RECOMMENDED DIMMERS**

ORDERING CODE	PSB-2X96W-010-24VDC	PSB-3X96W-010-24VDC	PSB-4X96W-010-24VDC
SPECIFICATION			
MAXIMUM LOAD	2X96W	3X96W	4X96W
INPUT VOLTAGE	120-277VAC	120-277VAC	120-277VAC
OUTPUT VOLTAGE	24VDC	24VDC	24VDC
DIMENSIONS	12.15" X 6.48" X 2.18"	14" X 10" X 3"	17" X 13" X 3"
CLASSIFICATION	CLASS 2	CLASS 2	CLASS 2
T-BAR MOUNTING	PSB-2X96W-010-24VDC-TB	PSB-3X96W-010-24VDC-TB	PSB-4X96W-010-24VDC-TB
IN-WALL MOUNTING	PSB-2X96W-010-24VDC-IW	N/A	N/A

**DIMMING & CONTROLS**

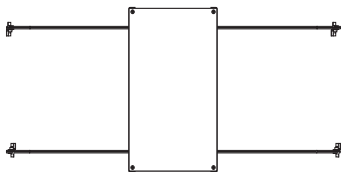
PHILIPS SUNRISE: SR1200ZTUNV	•	•	•
LUTRON DIVA: DVTW-WH, DVSTV-WH	•	•	•
LUTRON NOVA T: NTSTV-DV-XX	•	•	•
LUTRON GRAFIX EYE QS: QSGRJ-XP	•	•	•
LUTRON RADIO RA2: RRD-10ND	•	•	•
LEVITON: LEV40050	•	•	•
LEVITON IP710-LFZ	•	•	•
LEGRAND: ADPD4FBL3P2W4	•	•	•

- Flicker free dimming
- Aluminum casing for optimal heat dissipation
- Isolated output power per NEC and UL safety requirements
- UL & ETL recognized/ listed, meets UL 8750, 1310 requirements

- Auto-reset; short circuit, overload and thermal protection
- Class 2 power supply
- Efficient, High power factor > 90

\*Title 24 compliant when used with JAB listed PureEdge systems.

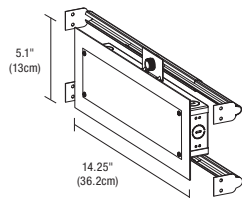
\*\*Up + Down Light fixtures and Systems can be controlled individually or together depending on the power supply selection.



**T-BAR Mounting Kit:** Includes power supply, box cover, and T-bar hangers for installing Junction Box above ceiling with in easy reach. Comes with 4' of 14 gauge pair Teflon cables with quick secure connectors.

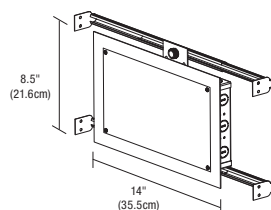
**Ordering Codes:**

PSB-25W-010-24VDC-TB,  
 PSB-60W-010-24VDC-TB,  
 PSB-96W-010-24VDC-TB,  
 PSB-2X96W-010-24VDC-TB  
 PSB-3X96W-010-24VDC-TB  
 PSB-4X96W-010-24VDC-TB



**5.1" x 14.25" In-Wall Mounting Kit:** Includes power supply, box cover and stud hangers for installing Junction Box in wall. Select "IW" in the options section of compatible power supply ordering codes if an In-Wall Mounting Kit is needed.

**Ordering Codes:** PSB-25W-010-24VDC-IW, PSB-60W-010-24VDC-IW, PSB-96W-010-24VDC-IW



**8.5" x 14" In-Wall Mounting Kit:** Includes power supply, box cover and stud hangers for installing Junction Box in wall. Select "IW" in the options section of compatible power supply ordering codes if an In-Wall Mounting Kit is needed.

**Ordering Codes:** PSB-2X96W-010-24VDC-IW

PROJECT		FIXTURE TYPE		DATE	
---------	--	--------------	--	------	--

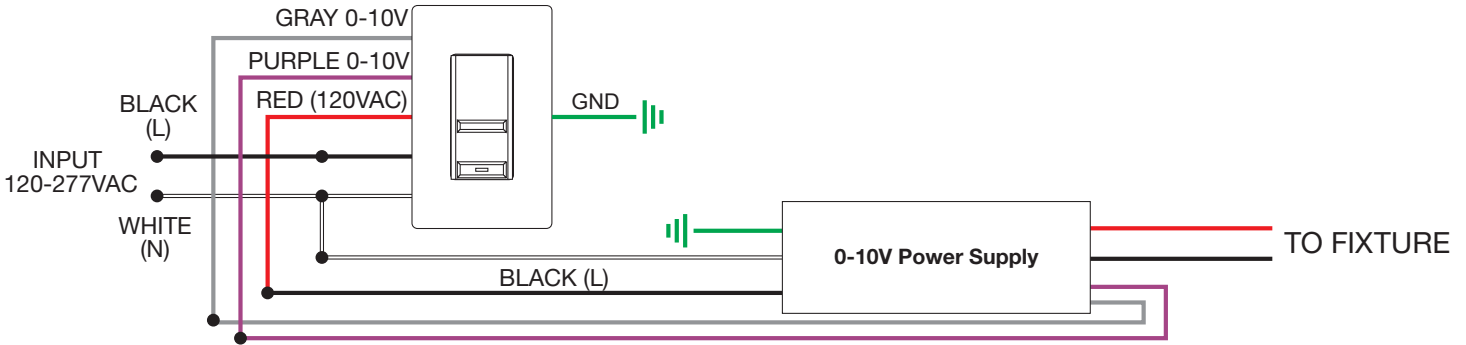


**SAMPLE WIRING DIAGRAMS 24VDC 010**

**Application:** 0-10V Dimming Applications For Static White and Warm Dim

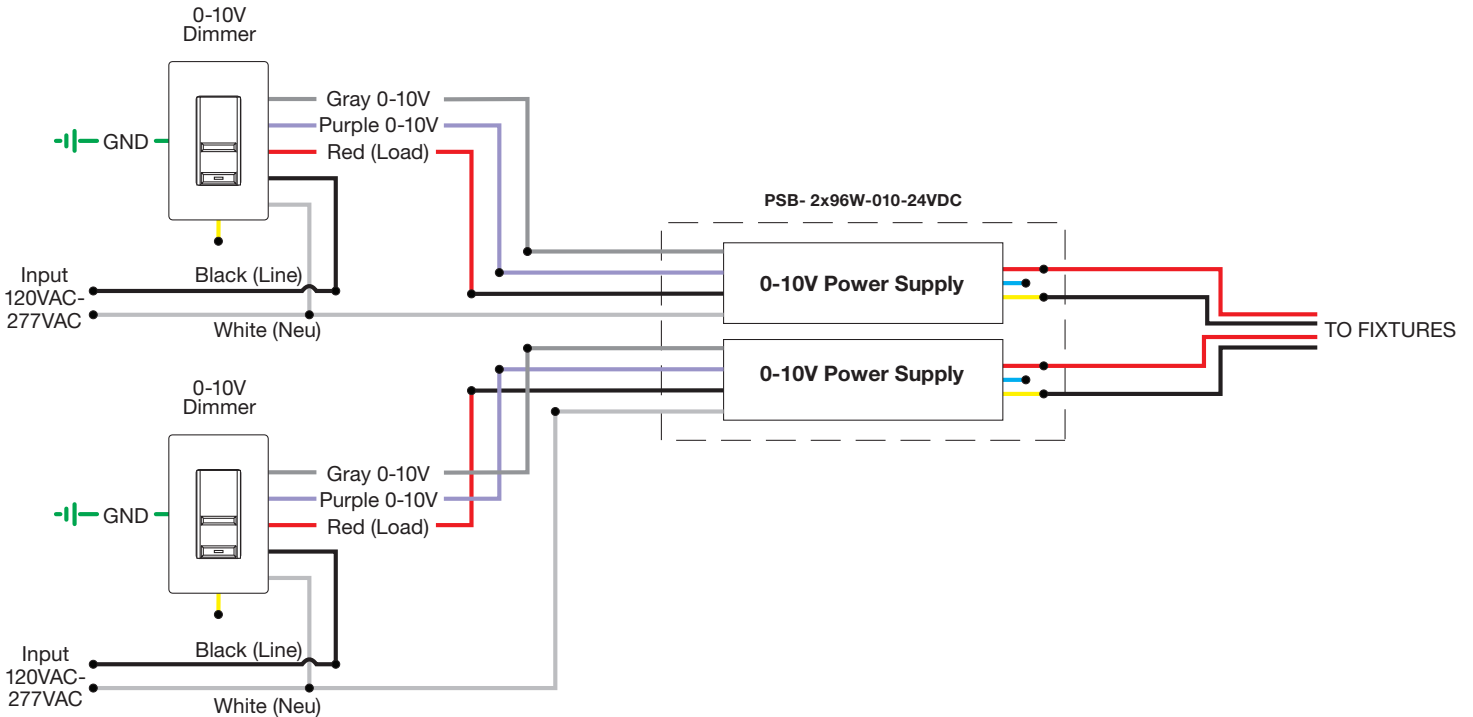
**Dimming:** Dimmable with 0-10V dimmers: Signify (Phillips) Sunrise: SR1200ZTUNV, Leviton Dimmers: LEV40050, IP710-LFZ, \*IP710-DLZ \*(Built in LED locator light) Legrand Dimmer: ADPD4FBL3P2W4 Lutron Systems: Lutron GRAFIX Eye QS Main Unit (with DRX-TVI) Radio Ra2 (with GRX-TVI)

**0-10V DIMMER**



**Application:** Dual 0-10V dimming for Static White

**Dimming:** Dimmable with Dual 0-10V dimmers: Signify (Phillips) Sunrise: SR1200ZTUNV, Leviton Dimmers: LEV40050, IP710-LFZ, \*IP710-DLZ \*(Built in LED locator light), Legrand Dimmer: ADPD4FBL3P2W4, Lutron Systems: Lutron GRAFIX Eye QS Main Unit (with DRX-TVI) Radio Ra2 (with GRX-TVI)



PROJECT		FIXTURE TYPE		DATE	
---------	--	--------------	--	------	--



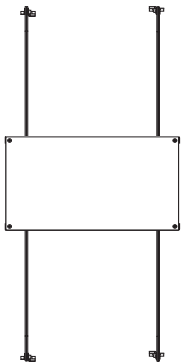
ELECTRONIC LOW-VOLTAGE (ELV) POWER SUPPLIES & RECOMMENDED DIMMERS**				
<b>ORDERING CODES</b>	<b>PS-60L-ELV-24VDC</b> 	<b>PSB-60W-ELV-24VDC</b> 	<b>PSB-2X60W-ELV-24VDC</b> 	<b>PSB-100W-ELV-24VDC</b> 
SPECIFICATIONS				
<b>MAXIMUM LOAD</b>	60W NON-IC, 50W-IC (FITS IN JBOX)	60W	2X60W	96W
<b>INPUT VOLTAGE</b>	120VAC	120VAC	120VAC	120VAC
<b>OUTPUT VOLTAGE</b>	24VDC	24VDC	24VDC	24VDC
<b>DIMENSIONS</b>	2.25" X 1.25" X 0.83"	8.125" X 2" X 1.75"	12.15" X 6.48" X 2.18"	9.25" X 3.5" X 2"
<b>CLASSIFICATION</b>	CLASS 2	CLASS 2	CLASS 2	CLASS 2
<b>T-BAR MOUNTING</b>	N/A	<b>PSB-60W-ELV-24VDC-TB</b>	<b>PSB-2X60W-ELV-24VDC-TB</b>	<b>PSB-100W-ELV-24VDC-TB</b>
<b>IN WALL MOUNTING</b>	N/A	<b>PSB-60W-ELV-24VDC-IW</b>	<b>PSB-2X60W-ELV-24VDC-IW</b>	<b>PSB-100W-ELV-24VDC-IW</b>
ELECTRONIC LOW-VOLTAGE (ELV) POWER SUPPLIES & RECOMMENDED DIMMERS**				
<b>ORDERING CODES</b>	<b>PSB-2X100W-ELV-24VDC</b> 	<b>PSB-3X100W-ELV-24VDC</b> 	<b>PSB-4X100W-ELV-24VDC</b> 	
SPECIFICATIONS				
<b>MAXIMUM LOAD</b>	2X96W	3X96W	4X96W	
<b>INPUT VOLTAGE</b>	120VAC	120VAC	120VAC	
<b>OUTPUT VOLTAGE</b>	24VDC	24VDC	24VDC	
<b>DIMENSIONS</b>	12.15" X 6.48" X 2.18"	14" X 10" X 3"	17" X 13" X 3"	
<b>CLASSIFICATION</b>	CLASS 2	CLASS 2	CLASS 2	
<b>T-BAR MOUNTING</b>	<b>PSB-2X100W-ELV-24VDC-TB</b>	<b>PSB-3X100W-ELV-24VDC-TB</b>	<b>PSB-4X100W-ELV-24VDC-TB</b>	
<b>IN WALL MOUNTING</b>	<b>PSB-2X100W-ELV-24VDC-IW</b>	N/A	N/A	
DIMMING AND CONTROLS				
<b>LUTRON DIVA: DVELV-300P</b>	•	•	•	
<b>LUTRON SKYLARK: SELV-300P</b>	•	•	•	
<b>LUTRON RADIO RA2: RRD-6NA</b>	•	•	•	
<b>LUTRON MAESTRO: MAELV-600</b>	•	•	•	
<b>LEGRAND ADORNE: ADTP-703TUM4</b>	•	•	•	

†22K - 57K color temperatures are compatible with 0-10V, ELV, and Lutron Hi-Lume® Power Supplies. Warm Dim (27D, 30D) color temperatures are only compatible with ELV power supplies. Tunable White color temperature is compatible with 0-10V, ELV, DMX, and Lutron Hi-Lume® Power Supplies. Color (RGB, RGB+W) and Static Color (Amber, Blue, Green, or Red) are compatible with DMX Power Supplies.

‡Electrical Panels using Seimens/Murray AFCI breakers are not compatible with this ELV transformer. Use 0-10 Volt power supplies with this breaker

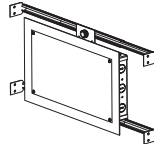
With N-Lite Dimming Do Not use ELV power supplies, use only 0-10 volt or Uni drivers power supplies

\*\*Up + Down Light fixtures and Systems can be controlled individually or together depending on the power supply selection.



**T-Bar Mounting Kit:** Includes power supply, box cover, and T-bar hangers for installing Junction Box above ceiling with in easy reach. Comes with 4' of 14 gauge pair Teflon cables with quick secure connectors.

**Ordering Codes :** PSB-60W-ELV-24VDC-TB  
 PSB-100W-ELV-24VDC-TB  
 PSB-2X60W-ELV-24VDC-TB  
 PSB-2X100W-ELV-24VDC-TB  
 PSB-3X100W-ELV-24VDC-TB  
 PSB-4X100W-ELV-24VDC-TB



**In-Wall Mounting Kit:** Includes power supply, box cover and stud hangers for installing Junction Box in wall. Select "IW" in the options section of compatible power supply ordering codes if an In-Wall Mounting Kit is needed.

**Ordering Codes 5.1" x 14.25":** PSB-60W-ELV-24VDC-IW  
 PSB-100W-ELV-24VDC-IW

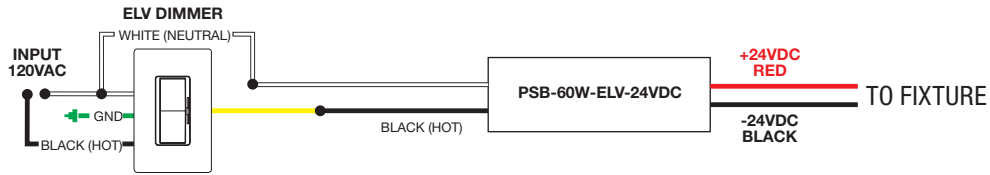
**Ordering Codes 8.5" x 14.25":** PSB-2X60W-ELV-24VDC-IW  
 PSB-2X100W-ELV-24VDC-IW

PROJECT	FIXTURE TYPE	DATE
---------	--------------	------

## SAMPLE WIRING DIAGRAMS 24VDC ELV

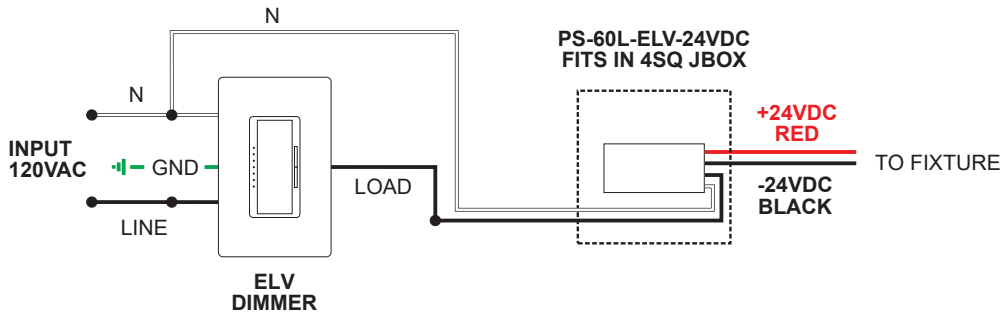
**Application:** ELV dimming for Static White

**Dimming:** Dimmable with ELV dimmer: Legrand, Adorne ADTP703TU; Lutron: Diva DVELV-300P, Skylark SELV-300P, Maestro MAELV-600 and Radio Ra 2



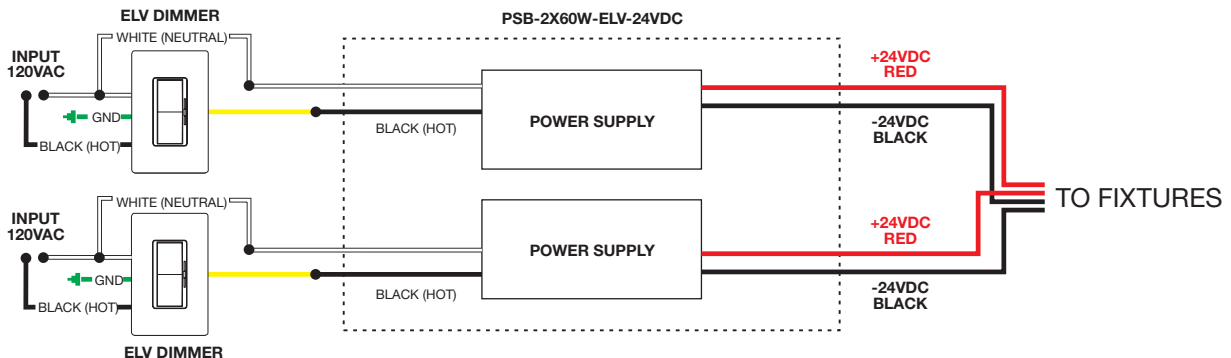
**Application:** ELV dimming for Static White

**Dimming:** Dimmable with ELV dimmer: Legrand, Adorne ADTP703TU; Lutron: Diva DVELV-300P, Skylark SELV-300P, Maestro MAELV-600 and Radio Ra 2



**Application:** Dual ELV dimming for Static White

**Dimming:** Dimmable with ELV dimmer: Legrand, Adorne ADTP703TU; Lutron: Diva DVELV-300P, Skylark SELV-300P, Maestro MAELV-600 and Radio Ra 2



PROJECT		FIXTURE TYPE		DATE	
---------	--	--------------	--	------	--

### UNIVERSAL POWER SUPPLIES & RECOMMENDED DIMMERS

<b>ORDERING CODE</b>	<b>PSB-40W-UNI-24VDC</b> 	<b>PSB-60W-UNI-24VDC</b> 	<b>PSB-2X40W-UNI-24VDC</b> 	<b>PSB-2X60W-UNI-24VDC</b> 
----------------------	------------------------------	------------------------------	--------------------------------	--------------------------------

### SPECIFICATIONS

<b>MAXIMUM LOAD</b>	40W	60W	2X40W	2X60W
<b>INPUT VOLTAGE</b>	120-277VAC	120-277VAC	120-277VAC	120-277VAC
<b>OUTPUT VOLTAGE</b>	24VDC	24VDC	24VDC	24VDC
<b>DIMENSIONS</b>	12.4" X 3.12" X 2.18"	12.4" X 3.12" X 2.18"	12.15" X 6.48" X 2.18"	12.15" X 6.48" X 2.18"
<b>CLASSIFICATION</b>	CLASS 2	CLASS 2	CLASS 2	CLASS 2
<b>T-BAR MOUNTING</b>	<b>PSB-40W-UNI-24VDC-TB</b>	<b>PSB-60W-UNI-24VDC-TB</b>	<b>PSB-2X40W-UNI-24VDC-TB</b>	<b>PSB-2X60W-UNI-24VDC-TB</b>
<b>IN-WALL MOUNTING</b>	<b>PSB-40W-UNI-24VDC-IW</b>	<b>PSB-60W-UNI-24VDC-IW</b>	<b>PSB-2X40W-UNI-24VDC-IW</b>	<b>PSB-2X60W-UNI-24VDC-IW</b>

### UNIVERSAL POWER SUPPLIES & RECOMMENDED DIMMERS

<b>ORDERING CODE</b>	<b>PSB-96W-UNI-24VDC</b> 	<b>PSB-2X96W-UNI-24VDC</b> 	<b>PSB-3X96W-UNI-24VDC</b> 	<b>PSB-4X96W-UNI-24VDC</b> 
----------------------	------------------------------	--------------------------------	--------------------------------	--------------------------------

### SPECIFICATIONS

<b>MAXIMUM LOAD</b>	96W	2X96W	3X96W	4X96W
<b>INPUT VOLTAGE</b>	120-277VAC	120-277VAC	120-277VAC	120-277VAC
<b>OUTPUT VOLTAGE</b>	24VDC	24VDC	24VDC	24VDC
<b>DIMENSIONS</b>	12.4" X 3.12" X 2.18"	12.15" X 6.48" X 2.18"	14" X 10" X 3"	17" X 13" X 3"
<b>CLASSIFICATION</b>	CLASS 2	CLASS 2	CLASS 2	CLASS 2
<b>T-BAR MOUNTING</b>	<b>PSB-96W-UNI-24VDC-TB</b>	<b>PSB-2X96W-UNI-24VDC-TB</b>	<b>PSB-3X96W-UNI-24VDC-TB</b>	<b>PSB-4X96W-UNI-24VDC-TB</b>
<b>IN-WALL MOUNTING</b>	<b>PSB-96W-UNI-24VDC-IW</b>	<b>PSB-2X96W-UNI-24VDC-IW</b>	NA	NA

### ELV DIMMING & CONTROLS

<b>LUTRON DIVA: DVELV-300P</b>	•	•	•	•
<b>LUTRON SKYLARK: SELV-300P</b>	•	•	•	•
<b>LUTRON RADIO RA2: RRD-6NA</b>	•	•	•	•
<b>LUTRON MAESTRO: MAELV-600</b>	•	•	•	•
<b>LEGRAND ADORNE: ADTP-703TUM4</b>	•	•	•	•

### 0-10 DIMMING & CONTROLS

<b>PHILIPS SUNRISE: SR1200ZTUNV</b>	•	•	•	•
<b>LUTRON DIVA: DVTW-WH, DVSTV-WH</b>	•	•	•	•
<b>LUTRON NOVA T: NTSTV-DV-XX</b>	•	•	•	•
<b>LUTRON GRAFIX EYE QS: QSGRJ-XP</b>	•	•	•	•
<b>LUTRON RADIO RA2: RRD-10ND</b>	•	•	•	•
<b>LEVITON: LEV40050</b>	•	•	•	•
<b>LEVITON IP710-LFZ</b>	•	•	•	•
<b>LEGRAND: ADPD4FBL3P2W4</b>	•	•	•	•

### TRIAC DIMMING & CONTROLS

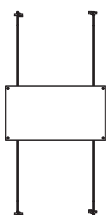
<b>LUTRON SKYLARK: S2-L-WH</b>	•	•	•	•
<b>LUTRON DIVA DVLV-600P-WH</b>	•	•	•	•
<b>LUTRON DIVA DVLV-603P-WH</b>	•	•	•	•
<b>LUTRON MAESTRO MALV-600-WH</b>	•	•	•	•
<b>LUTRON MAESTRO MALV-1000-WH</b>	•	•	•	•
<b>LUTRON MAESTRO MA-R-XX</b>	•	•	•	•

- Flicker free dimming
- Aluminum casing for optimal heat dissipation
- Isolated output power per NEC and UL safety requirements
- UL & ETL recognized/ listed, meets UL 8750, 1310 requirements
- Auto-reset; short circuit, overload and thermal protection
- Class 2 power supply
- Efficient, High power factor > 0.90

- The Solid State Constant Voltage Uni-Power Supply is compatible with most commercially available Dimmers:
  - Triac Dimmer: (Forward Phase) Typically used for the dimming of Incandescent and Low Voltage Magnetic Transformers
  - ELV Dimmer: (Reverse Phase) Dimming of Electronic Low Voltage Transformers and Power Supplies used for LED lighting
  - 0-10 Dimmer : Dims the Low Voltage side of a 0-10 volt power supply commonly used in large scale lighting or commercial applications.
- The Uni-Power Supply is recommended with any Siemens/Murray brand of arc fault breaker to overcome the issues with tripping the breakers with an ELV LED Low Voltage Drivers.

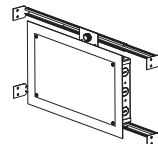
\*Title 24 with JA8 listed PureEdge products and systems

\*Tunable White requires Dual power Supplies and Controls. For single control use with our proprietary Tunable White Controller CDMX-1, refer to Universal Tunable White Power Supply Specifications. Up + Down Light fixtures and Systems can be controlled individually or together depending on the power supply selection.



**T-BAR Mounting Kit:** Includes power supply, box cover, and T-bar hangers for installing Junction Box above ceiling with in easy reach. Comes with 4' of 14 gauge pair Teflon cables with quick secure connectors.

**Ordering Codes :** PSB-40W-UNI-24VDC-TB, PSB-60W-UNI-24VDC-TB, PSB-96W-UNI-24VDC-TB, PSB-2X40W-UNI-24VDC-TB, PSB-2X60W-UNI-24VDC-TB, PSB-2X96W-UNI-24VDC-TB, PSB-3X96W-UNI-24VDC-TB, PSB-4X96W-UNI-24VDC-TB



**In-Wall Mounting Kit:** Includes power supply, box cover and stud hangers for installing Junction Box in wall. Select "IW" in the options section of compatible power supply ordering codes if an In-Wall Mounting Kit is needed.

**Ordering Codes 5.1" x 14.25":** PSB-40W-UNI-24VDC-IW, PSB-60W-UNI-24VDC-IW, PSB-96W-UNI-24VDC-IW

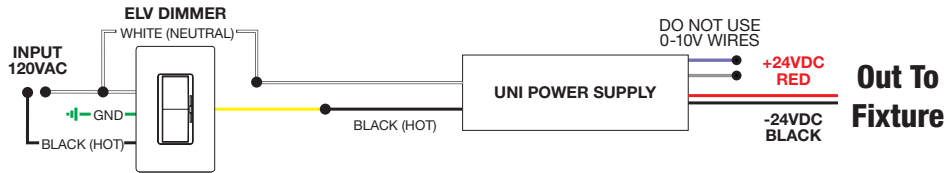
**Ordering Codes 8.5" x 14.25":** PSB-2X40W-UNI-24VDC-IW, PSB-2X60W-UNI-24VDC-IW, PSB-2X96W-UNI-24VDC-IW

PROJECT	FIXTURE TYPE	DATE
---------	--------------	------

## WIRING DIAGRAMS UNIVERSAL POWER SUPPLY

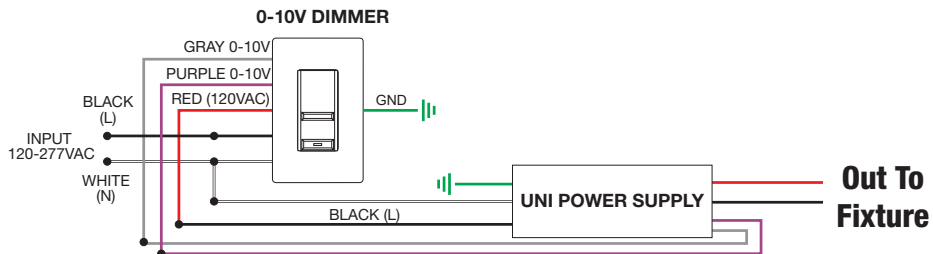
**Application:** ELV dimming for Static White and Warm Dim

**Dimming:** Dimmable with ELV dimmer: Legrand, Adorne ADTP703TU; Lutron: Diva DVELV-300P, Skylark SELV-300P, Maestro MAELV-600 and Radio Ra 2



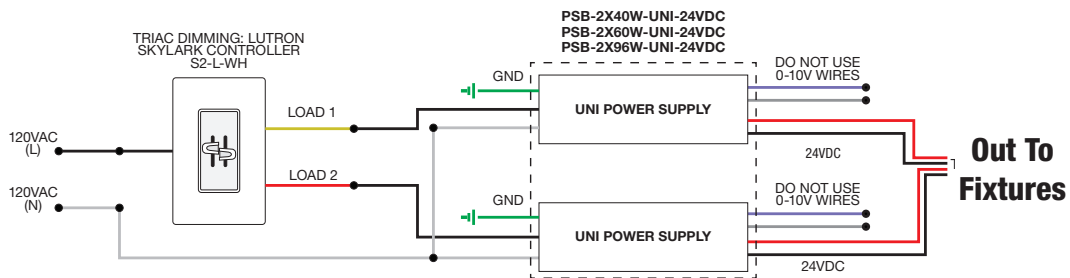
**Application:** 0-10V dimming for Static White

**Dimming:** Dimmable with 0-10V dimmer: Philips Sunrise: SR1200ZTUNV; Lutron Diva: DVTV-WH, DVSTV-WH; Lutron Nova T: NTSTV-DV-XX; Lutron Grafix EYE QS: QSGRJ-XP; Lutron Radio Ra2: RRD-10ND; Leviton: LEV40050; Leviton IP710-LFZ; Legrand: ADPD4FBL3P2W4



**Application:** Triac dimming for two power supplies, use for Static White

**Dimming:** Dimmable with Triac dimmer: Lutron: Skylark S2-L



PROJECT	FIXTURE TYPE	DATE
---------	--------------	------

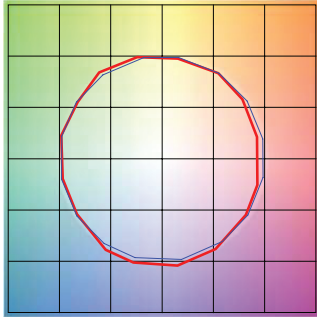
# TM30 DATA

24VDC LED MAKE-IT-YOUR-OWN SUSPENSION, STATIC WHITE & WARM DIM

**TM-30-15 DATA:** The data below is for ST5A bare LED Strips. Consistent color temperatures throughout a single strip and among multiple strips is possible through a 3 phase binning process in which each order is inspected with a color meter to ensure uniformity.

**2200K** | Rf: 90.5 | Rg: 99.9

Color Vector Graphic

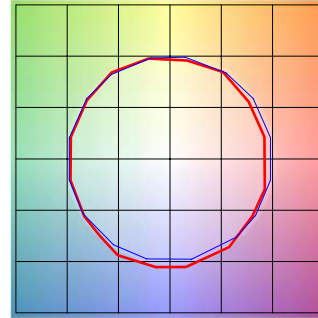


■ Test ■ Reference

GRAPHIC SHIFTS %			
HUE BIN	Rf	CHROMA	HUE
1	88.3	-5.2%	1.0%
2	90.1	-3.6%	3.7%
3	87.5	-0.5%	5.6%
4	93.9	-1.2%	1.3%
5	94.7	0.7%	2.1%
6	93.7	2.6%	0.7%
7	93.5	-1.5%	-2.2%
8	97.8	-0.4%	-0.2%
9	93.7	-1.5%	2.4%
10	90.8	-0.8%	4.9%
11	89.3	3.7%	5.4%
12	90.2	4.6%	1.0%
13	89.0	4.4%	-9.7%
14	75.4	0.6%	-15.1%
15	90.7	-1.7%	-5.0%
16	84.2	-4.4%	-9.1%

**2400K** | Rf: 90.2 | Rg: 99.3

Color Vector Graphic

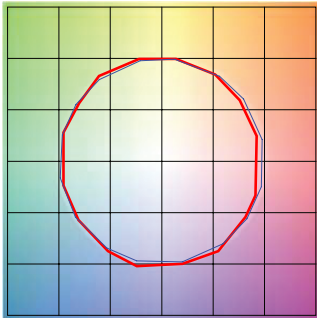


■ Test ■ Reference

GRAPHIC SHIFTS %			
HUE BIN	Rf	CHROMA	HUE
1	89.0	-4.8%	1.1%
2	90.4	-3.7%	3.2%
3	88.1	-0.7%	5.2%
4	93.0	-2.1%	0.9%
5	94.5	-0.1%	2.0%
6	94.7	1.7%	0.6%
7	93.7	-1.9%	-1.5%
8	96.8	-1.2%	0.2%
9	91.9	-1.8%	3.7%
10	88.8	-0.9%	6.1%
11	87.5	3.8%	7.1%
12	89.6	4.3%	0.3%
13	88.1	4.2%	-9.1%
14	82.5	2.8%	-10.6%
15	91.4	-2.1%	-4.2%
16	84.0	-3.6%	-9.9%

**2700K** | Rf: 89.5 | Rg: 98.3

Color Vector Graphic

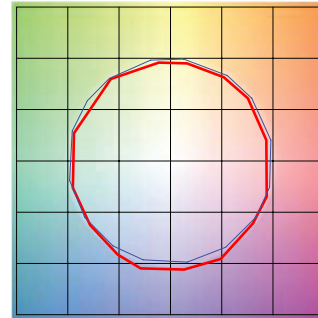


■ Test ■ Reference

GRAPHIC SHIFTS %			
HUE BIN	Rf	CHROMA	HUE
1	88.6	-5.2%	0.9%
2	90.3	-3.6%	2.9%
3	88.4	-1.5%	5.0%
4	91.9	-2.5%	1.4%
5	93.5	-0.9%	2.3%
6	95.7	0.9%	-0.4%
7	91.1	-3.7%	-0.5%
8	95.8	-2.0%	0.4%
9	90.5	-2.6%	4.5%
10	84.9	-1.1%	8.7%
11	85.0	2.3%	9.8%
12	88.1	5.5%	1.5%
13	90.9	2.9%	-5.2%
14	86.2	4.3%	-8.9%
15	90.7	-2.4%	-3.6%
16	83.0	-2.7%	-11.3%

**3000K** | Rf: 88.7 | Rg: 98.2

Color Vector Graphic

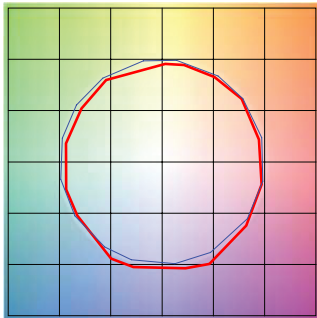


■ Test ■ Reference

GRAPHIC SHIFTS %			
HUE BIN	Rf	CHROMA	HUE
1	88.3	-5.2%	0.8%
2	90.2	-3.7%	2.7%
3	88.3	-1.6%	4.9%
4	92.2	-2.0%	1.8%
5	91.0	-3.5%	1.8%
6	95.8	0.4%	-0.4%
7	90.2	-4.4%	-0.0%
8	94.8	-2.6%	0.8%
9	89.2	-2.9%	6.0%
10	81.4	-1.5%	9.7%
11	82.9	2.3%	10.5%
12	88.3	6.7%	1.9%
13	91.9	2.8%	-4.0%
14	86.3	4.9%	-8.3%
15	87.1	-1.2%	-6.1%
16	83.2	-1.7%	-11.6%

**3500K** | Rf: 88.1 | Rg: 97.1

Color Vector Graphic

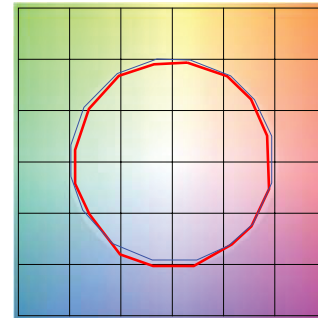


■ Test ■ Reference

GRAPHIC SHIFTS %			
HUE BIN	Rf	CHROMA	HUE
1	87.8	-5.2%	1.0%
2	90.8	-3.3%	2.3%
3	89.8	-1.6%	3.9%
4	91.0	-2.7%	0.9%
5	90.0	-5.4%	0.7%
6	95.6	-0.9%	-0.4%
7	90.0	-5.3%	1.4%
8	91.8	-3.6%	3.0%
9	87.1	-2.9%	7.3%
10	80.1	-1.3%	12.2%
11	81.8	4.1%	10.5%
12	88.2	5.1%	2.3%
13	92.4	2.1%	-3.8%
14	86.6	5.0%	-7.9%
15	86.2	-0.7%	-6.8%
16	84.5	-2.1%	-7.0%

**4000K** | Rf: 86.5 | Rg: 96.9

Color Vector Graphic



■ Test ■ Reference

GRAPHIC SHIFTS %			
HUE BIN	Rf	CHROMA	HUE
1	87.1	-5.2%	1.1%
2	90.4	-2.9%	2.5%
3	89.1	-1.9%	4.1%
4	89.1	-2.9%	1.0%
5	88.8	-5.1%	0.4%
6	94.0	-2.1%	-0.4%
7	89.8	-5.6%	1.3%
8	88.1	-4.6%	4.5%
9	83.0	-3.5%	10.8%
10	77.5	-1.9%	12.6%
11	79.0	4.8%	12.0%
12	89.0	4.8%	2.8%
13	89.1	5.2%	-4.6%
14	91.6	0.8%	-3.1%
15	83.2	0.6%	-9.0%
16	83.1	-1.6%	-7.8%

PROJECT	FIXTURE TYPE	DATE
---------	--------------	------

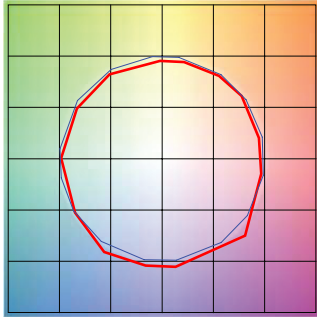
# TM30 DATA

24VDC LED MAKE-IT-YOUR-OWN SUSPENSION, STATIC WHITE & WARM DIM

**TM-30-15 DATA:** The data below is for ST5A bare LED Strips. Consistent color temperatures throughout a single strip and among multiple strips is possible through a 3 phase binning process in which each order is inspected with a color meter to ensure uniformity.

**5700K** | Rf: 87.6 | Rg: 98.0

Color Vector Graphic

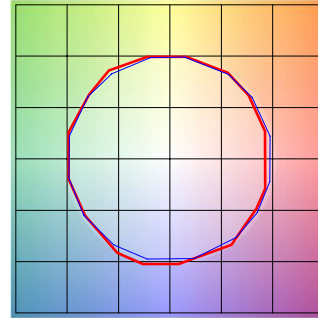


■ Test ■ Reference

GRAPHIC SHIFTS %			
HUE BIN	Rf	CHROMA	HUE
1	87.9	-3.9%	1.5%
2	92.3	-1.7%	2.7%
3	91.0	-1.2%	2.4%
4	91.5	-1.2%	1.6%
5	86.2	-5.9%	-0.4%
6	93.5	-3.2%	-0.2%
7	93.1	-3.8%	0.6%
8	85.9	-4.6%	5.9%
9	83.6	-4.0%	12.7%
10	75.8	-0.6%	13.6%
11	80.2	4.3%	10.4%
12	83.4	3.4%	1.8%
13	90.8	5.0%	-2.0%
14	91.8	1.3%	-3.3%
15	79.4	8.6%	-12.7%
16	93.4	-2.7%	-0.2%

**2700D** | Rf: 90.7 | Rg: 101.1

Color Vector Graphic

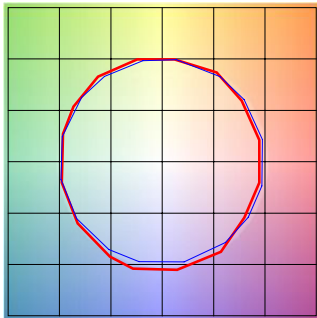


■ Test ■ Reference

GRAPHIC SHIFTS %			
HUE BIN	Rf	CHROMA	HUE
1	90.9	-4.1%	1.1%
2	91.8	-2.2%	3.2%
3	89.0	0.2%	5.0%
4	92.9	-1.1%	0.8%
5	93.9	1.1%	1.7%
6	93.3	3.3%	0.0%
7	93.1	-0.5%	-1.9%
8	97.2	-0.3%	-0.9%
9	93.4	-1.0%	3.2%
10	89.9	-0.1%	5.6%
11	87.0	4.7%	7.2%
12	89.2	5.8%	-0.2%
13	89.1	3.5%	-6.7%
14	86.3	4.1%	-9.2%
15	91.4	-2.0%	-3.6%
16	84.7	-2.1%	-10.3%

**3000D** | Rf: 90.6 | Rg: 101.1

Color Vector Graphic



■ Test ■ Reference

GRAPHIC SHIFTS %			
HUE BIN	Rf	CHROMA	HUE
1	91.5	-3.5%	1.3%
2	92.2	-1.8%	3.0%
3	89.3	0.5%	4.8%
4	92.7	-1.1%	0.6%
5	93.3	0.5%	1.4%
6	93.8	2.7%	-0.8%
7	91.2	-2.1%	-0.2%
8	97.0	-0.5%	-0.7%
9	92.5	-0.7%	3.8%
10	88.3	0.9%	7.1%
11	87.5	3.9%	7.6%
12	88.2	6.2%	-0.2%
13	89.9	3.4%	-6.0%
14	86.9	4.4%	-8.5%
15	91.9	-1.9%	-2.9%
16	84.7	-1.3%	-10.6%

PROJECT	FIXTURE TYPE	DATE
---------	--------------	------