

# FREEFORM TBAR CEILING

24VDC REMOTE POWER, MATTE WHITE LENS OR DEEP CELL REFLECTOR

DESIGNED BY GREGORY KAY | ASSEMBLED IN AMERICA | USA PATENT PENDING

REV 09.19.22



## DESCRIPTION

The T-Bar Ceiling FreeForm is made up of modular straight runs that allow you to create geometric shapes along the ceiling. "Design by numbers", 23", 24" and 48" Channel lengths gives you the ability to design with any FreeForm pattern that corresponds to the 2x2 or 2x4 Tbar drop ceiling grid, including the main T-Bar runner. Choose from two finishes and a Matte White Low Glare Lens or Deep Cell Reflector, and multiple color temperatures. For design and layout assistance email our design team [design@PureEdgeLighting.com](mailto:design@PureEdgeLighting.com).

## FEATURES & BENEFITS

- **Low Profile:** Less than 1" Square Channel
- **Remote Power Supply:** Class 2, up to 100 Watts before re-feeding
- **Beam spread:** Matte White lens - Diffused 60°, Deep Cell Reflector - Diffused 60°
- **Lengths:** 23", 24" and 48" straight runs
- **Wattage:** 7.5 Watts per foot
- **High Lumen Output:** Up to 846 lm/ft
- **Color Temperatures:** 27K, 30K, 35K, 40K, and 57K
- **High CRI:** 92+
- **Average life:** 50,000 hours
- **Easy Installation:** 50" 14 Gauge Teflon® cable with quick Wago on all power feed connectors. Approved for Plenum ceilings.

## FINISHES



Satin Black  
BK



White  
WH

## COMPONENTS (INCLUDED)

- Designer Grade High CRI LED Strip, installed to fit length
- Matte White Lens, White or Black Deep Cell Reflector
- Power Cables and Quick Jack Wago Connector

## MOUNTING OPTIONS

- **TBA** – Mounting clips are compatible with 15/16" and 9/16" T-Bar systems where the ceiling panels are flush with the grid, and 15/16" tegular ceiling panels.
- **TBB** - Mounting clips are compatible with 15/16" and 9/16" T-Bar systems where the ceiling panels sit below T-Bar grid (includes spacer).
- **TBE** - Mounting clips are compatible with Slotted T-Bar Drop Ceiling systems with ¼" openings, and mounts flush anywhere along the T-Bar grid.
- **TBI** - Mounting clips are compatible with Armstrong Interlude™ T-Bar systems where the ceiling panels are flush with the bottom of the grid.
- **TBM** - T-Bar Magnetic Tape is compatible with flat metal ceilings such as Armstrong Metalworks™

## REMOTE POWER SUPPLIES\*, DIMMERS & CONTROLS (SOLD SEPARATELY)

- [Pure Smart™ WIZ Pro Power Supplies & Controls](#)
- [UNI Driver: Universal Dimming \(TRIAC, ELV, 0-10V\)](#)
- [Lutron Hi-Lume/Ecosystem](#)

\*In-Wall Mounting and drop ceiling Kits available for select power supplies

## APPLICATIONS

Designed For Indoor Use Only - Architectural Lighting, Office, Retail, and Commercial

## WARRANTY / LABELS

5 year pro-rated warranty. ETL, Class 2, Damp Location

PROJECT		FIXTURE TYPE		DATE	
---------	--	--------------	--	------	--



# FREEFORM TBAR CEILING

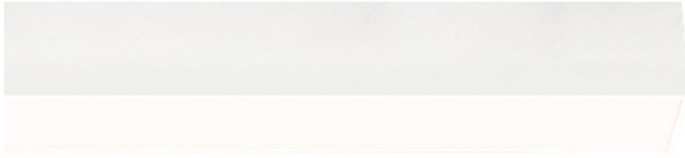
24VDC REMOTE POWER, MATTE WHITE LENS OR DEEP CELL REFLECTOR



USA PATENT PENDING

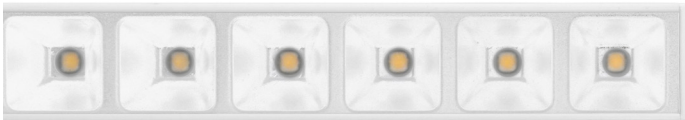
REV 09.19.22

## FREEFORM MATTE WHITE LENS

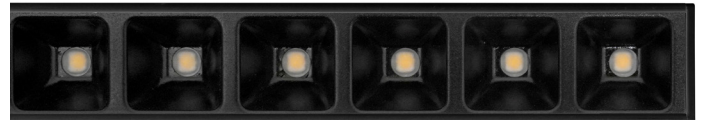


Product	Wattage per Foot	Clips	Length	Color Temperature	Finish
<b>CFMW</b>	<b>7W</b>	<b>TBA</b>	<b>24</b>	<b>35K</b>	<b>WH</b>
<b>CFMW</b> Ceiling FreeForm with Matte White Low Glare Lens. Made for T-bar Ceilings grids with a quick connect feed-through and 50" of 18 gauge plenum rated power feed cables.	<b>7W</b> 7.5 watts	<b>TBA</b> Mounting clips are compatible with 15/16" and 9/16" T-Bar systems where the ceiling panels are flush with the grid, and 15/16" tegular ceiling panels. <b>TBB</b> Mounting clips are compatible with 15/16" and 9/16" T-Bar systems where the ceiling panels sit below T-Bar grid (includes spacer). <b>TBE</b> Mounting clips are compatible with Slotted T-Bar Drop Ceiling systems with 1/4" openings, and mounts flush anywhere along the T-Bar grid. <b>TBI</b> Mounting clips are compatible with Armstrong Interlude™ T-Bar systems where the ceiling panels are flush with the bottom of the grid. <b>TBM</b> T-Bar Magnetic Tape is compatible with flat metal ceilings such as Armstrong Metalworks™	<b>23</b> 23" Straight, 15W <b>24</b> 24" Straight, 15W <b>48</b> 48" Straight, 30W	<b>27K</b> 2700K Incandescent White <b>30K</b> 3000K Warm White <b>35K</b> 3500K Warm White, 90+ CRI* <b>40K</b> 4000K Cool White, 90+ CRI* <b>57K</b> 5700K Daylight White  *Quick Ship	<b>BK</b> Black <b>WH</b> White

## FREEFORM DEEP CELL WITH REFLECTOR



Deep Cell White Reflector, White Finish

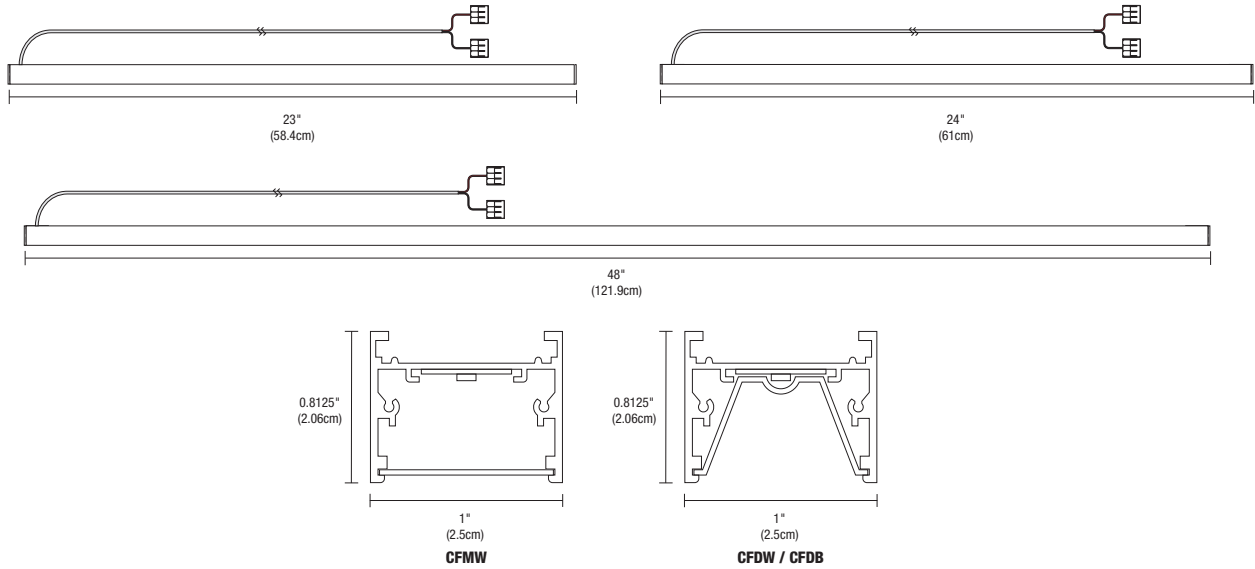


Deep Cell, Black Reflector, Black Finish

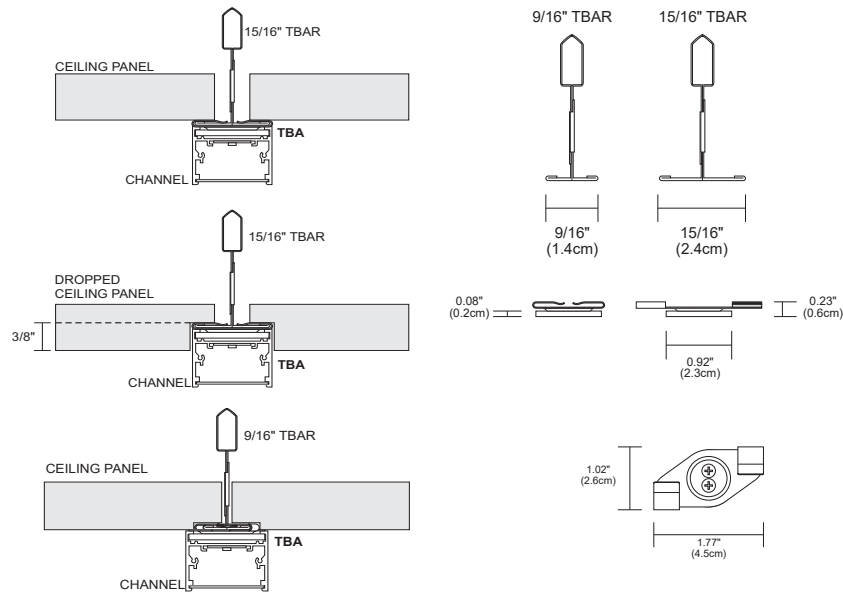
Product	Wattage per Foot	Clips	Length	Color Temperature	Finish
<b>CFDW</b>	<b>7W</b>	<b>TBA</b>	<b>24</b>	<b>35K</b>	<b>WH</b>
<b>CFDW</b> Ceiling FreeForm Deep Cell with White Reflector. Made for T-bar Ceiling grids with a quick connect feed-through and 50" of 18 gauge plenum rated power feed cables. <b>CFDB</b> Ceiling FreeForm Deep Cell with Black Reflector. Made for T-bar Ceilings grids with a quick connect feed-through and 50" of 18 gauge plenum rated power feed cables.	<b>7W</b> 7.5 watts	<b>TBA</b> Mounting clips are compatible with 15/16" and 9/16" T-Bar systems where the ceiling panels are flush with the grid, and 15/16" tegular ceiling panels. <b>TBB</b> Mounting clips are compatible with 15/16" and 9/16" T-Bar systems where the ceiling panels sit below T-Bar grid (includes spacer). <b>TBE</b> Mounting clips are compatible with Slotted T-Bar Drop Ceiling systems with 1/4" openings, and mounts flush anywhere along the T-Bar grid. <b>TBI</b> Mounting clips are compatible with Armstrong Interlude™ T-Bar systems where the ceiling panels are flush with the bottom of the grid. <b>TBM</b> T-Bar Magnetic Tape is compatible with flat metal ceilings such as Armstrong Metalworks™	<b>23</b> 23" Straight, 15W <b>24</b> 24" Straight, 15W <b>48</b> 48" Straight, 30W	<b>35K</b> 3500K Warm White, 90+ CRI <b>40K</b> 4000K Cool White, 90+ CRI	<b>BK</b> Black <b>WH</b> White

	CFMW	CFDW	CFDB
<b>DESCRIPTION</b>	<b>MATTE WHITE LOW GLARE LENS</b>	<b>DEEP CELL WITH WHITE REFLECTORS</b>	<b>DEEP CELL WITH BLACK REFLECTORS</b>
<b>WATTS PER FOOT</b>	7.5 watts	7.5 watts	7.5 watts
<b>COLOR TEMPERATURE</b>	35K	35K	35K
<b>LUMENS PER FOOT (lm/ft)</b>	768	790	632
<b>LUMENS PER WATT (lm/w)</b>	102	105	84
<b>CRI</b>	92	94	90+

PROJECT		FIXTURE TYPE		DATE	
---------	--	--------------	--	------	--



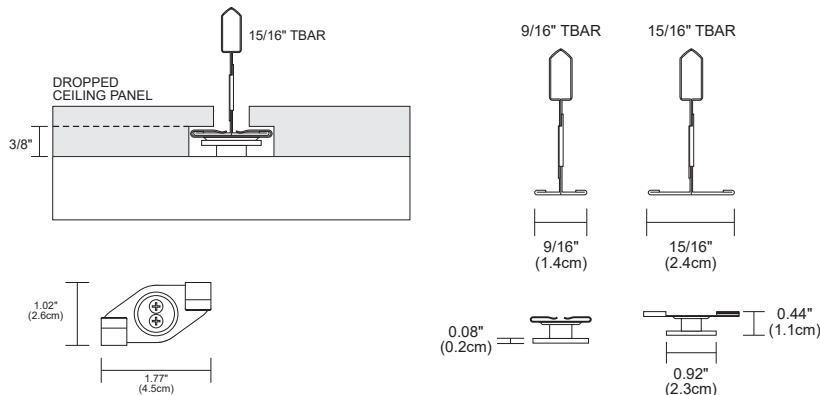
### ACCESSORIES



#### CEILING MOUNTING T-BAR CLIPS FOR 15/16" AND 9/16" CEILING GRID

TBA mounting clips are compatible with 15/16" and 9/16" T-Bar systems where the ceiling panels are flush with the grid, and 15/16" tegular ceiling panels.

System	Canopy	Type	Finish
<b>FFC</b>	<b>MCL</b>	<b>TBA</b>	<b>WH</b>
FFC FreeForm Ceiling	MCL Mounting Clip	TBA 15/16" or 9/16" Wide T-Bar Flush mounted ceiling panels	WH White BK Black



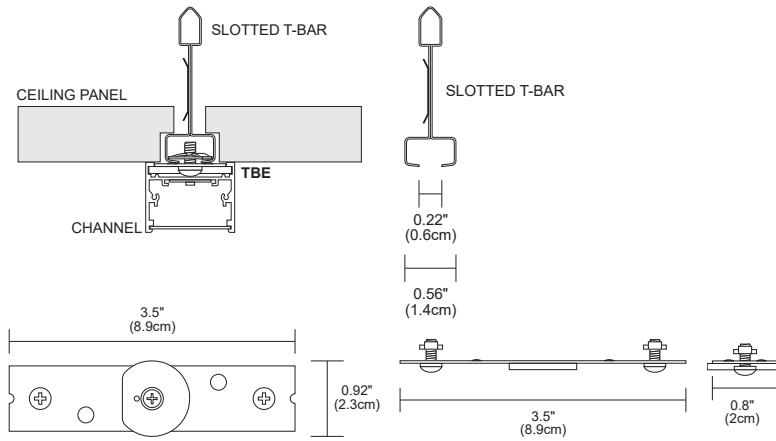
#### CEILING MOUNTING T-BAR CLIPS FOR 15/16" AND 9/16" CEILING GRID

TBB mounting clips are compatible with 15/16" and 9/16" T-Bar systems where the ceiling panels sit below T-Bar grid (includes spacer).

System	Canopy	Type	Finish
<b>FFC</b>	<b>MCL</b>	<b>TBB</b>	<b>WH</b>
FFC FreeForm Ceiling	MCL Mounting Clip	TBB 15/16" or 9/16" wide T-Bar with ceiling panel 3/8" below grid and channel going over dropped panel	WH White BK Black

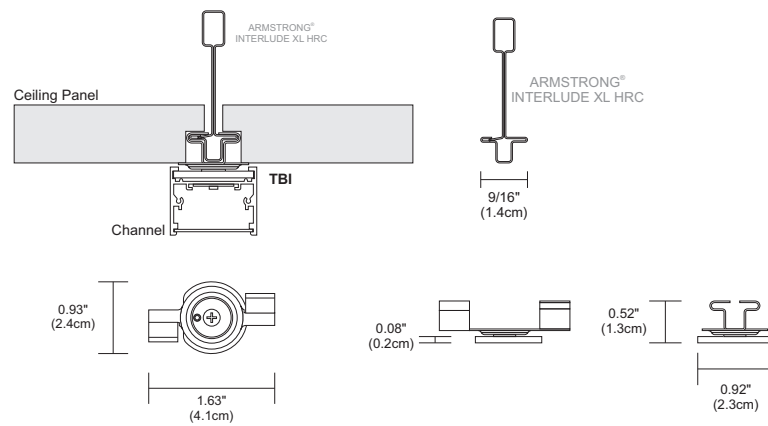
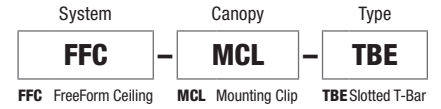
PROJECT		FIXTURE TYPE		DATE	
---------	--	--------------	--	------	--

### ACCESSORIES



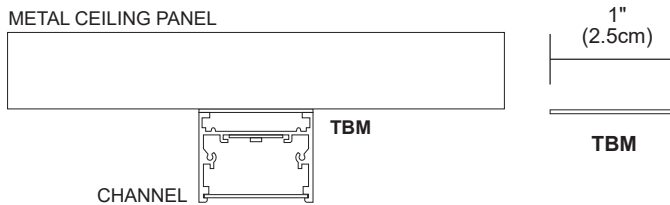
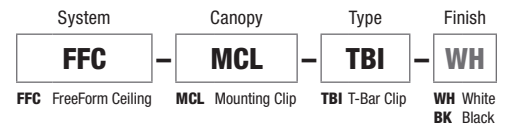
#### T-BAR SLOT MOUNTING CLIP

TBE Mounting clips are compatible with Slotted T-Bar Drop Ceiling systems with 1/4" openings, and mounts flush anywhere along the T-Bar grid.



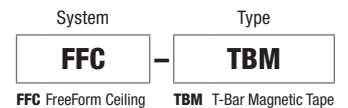
#### T-BAR CLIP FOR ARMSTRONG™ INTERLUDE

Mounting clips are compatible with Armstrong Interlude™ T-Bar systems where the ceiling panels are flush with the bottom of the grid.



#### T-BAR MAGNETIC TAPE

T-Bar Magnetic Tape is compatible with flat metal ceilings such as Armstrong Metalworks™



PROJECT		FIXTURE TYPE		DATE	
---------	--	--------------	--	------	--



# FREEFORM TBAR CEILING

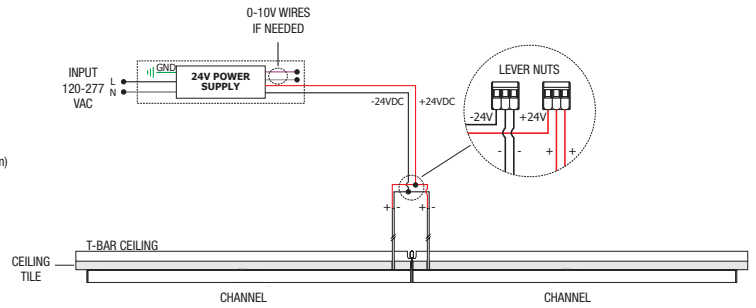
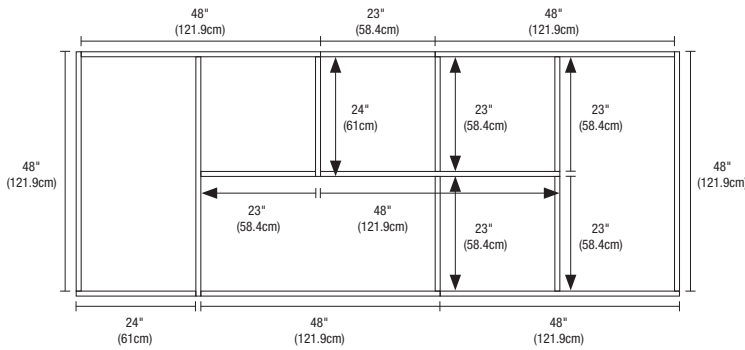
24VDC REMOTE POWER, MATTE WHITE LENS OR DEEP CELL REFLECTOR



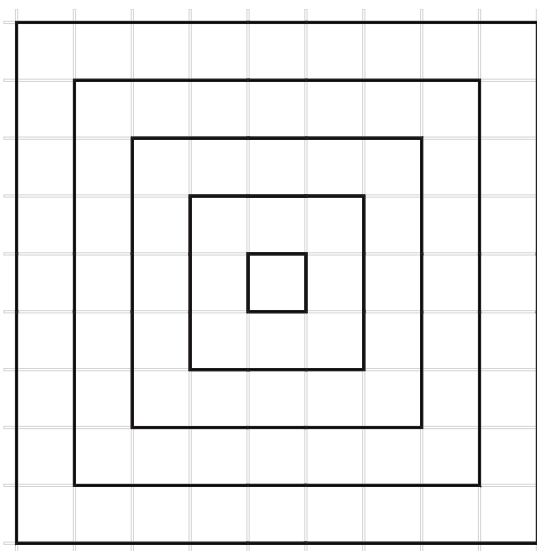
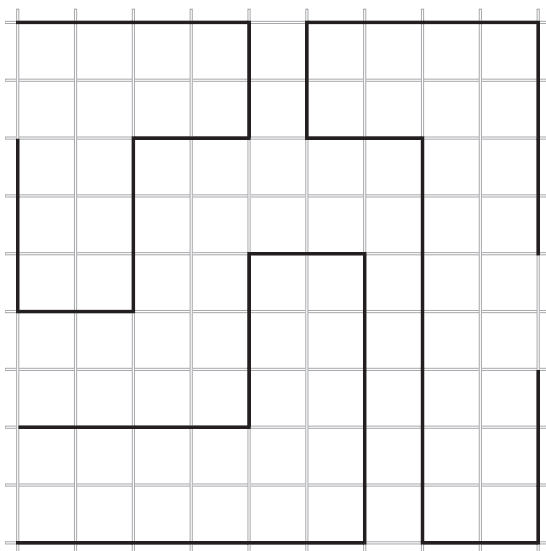
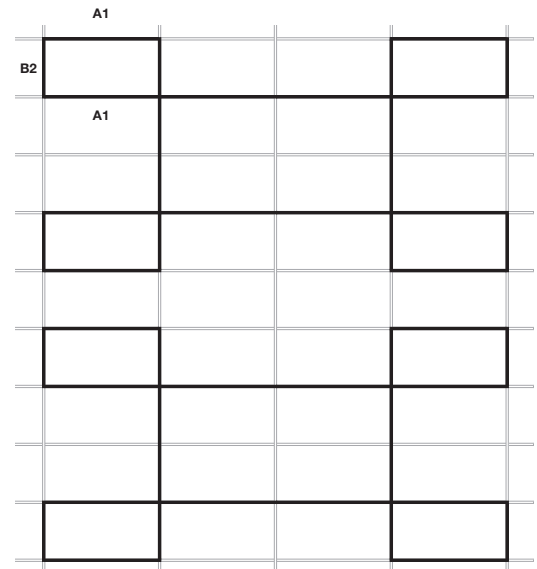
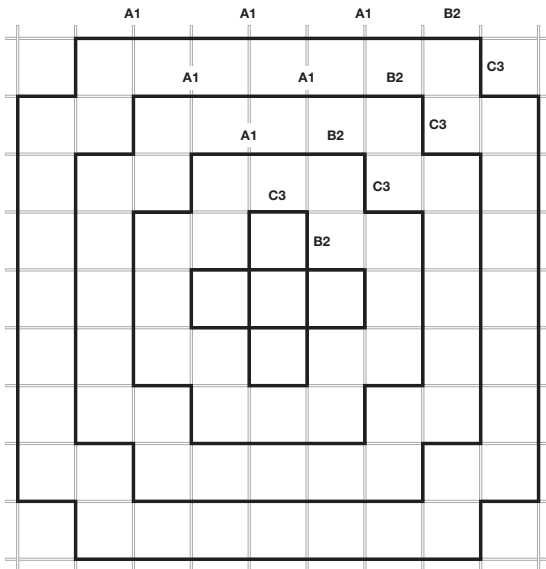
USA PATENT PENDING

REV 09.19.22

**FREEFORM CONFIGURATIONS** - For Custom Quotes, Design and Layout assistance email our design team



TYPE	
A1	48"
B2	24"
C3	23"



PROJECT	FIXTURE TYPE	DATE
---------	--------------	------



# FREEFORM TBAR CEILING

24VDC REMOTE POWER, MATTE WHITE LENS OR DEEP CELL REFLECTOR



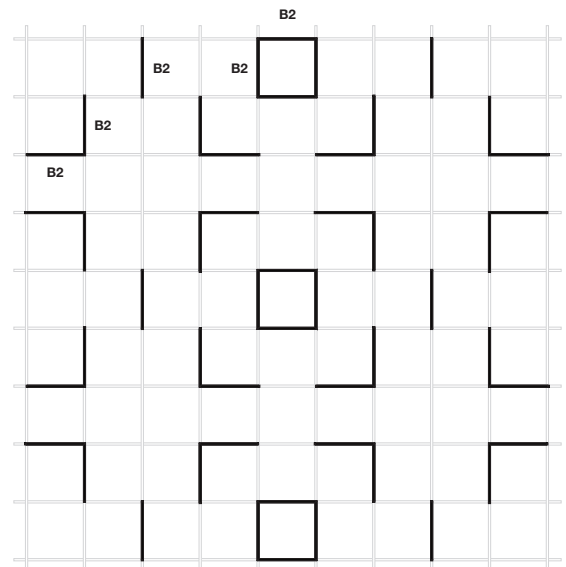
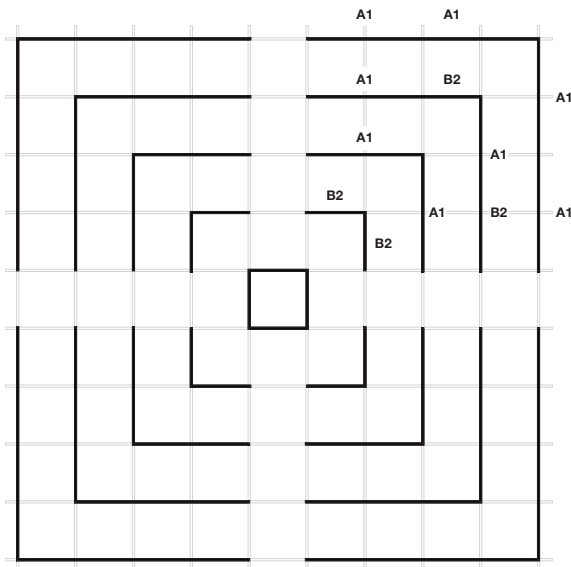
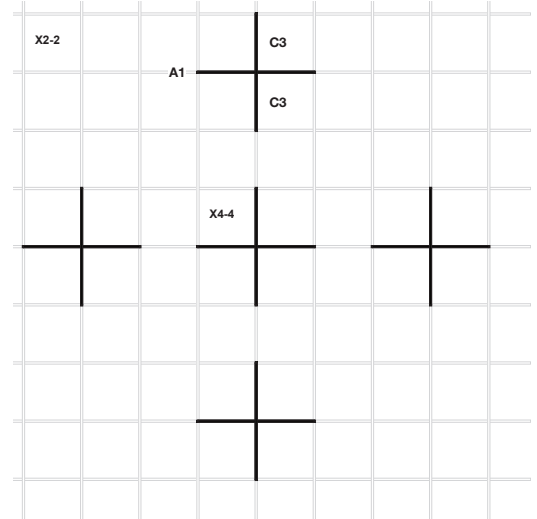
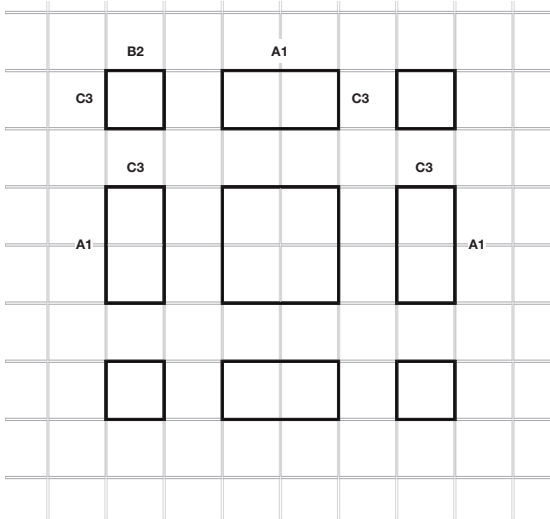
USA PATENT PENDING

REV 09.19.22



## DESIGN LIGHT BY NUMBERS

TYPE	
A1	48"
B2	24"
C3	23"



PROJECT	FIXTURE TYPE	DATE
---------	--------------	------





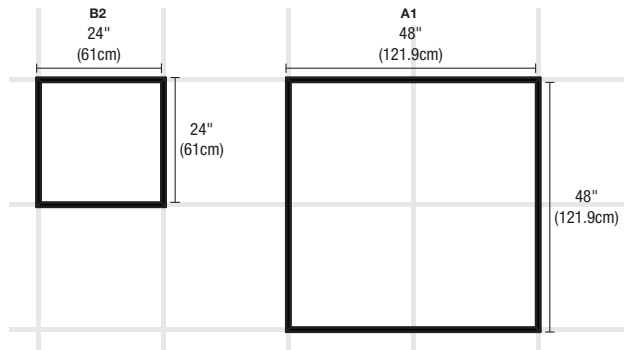
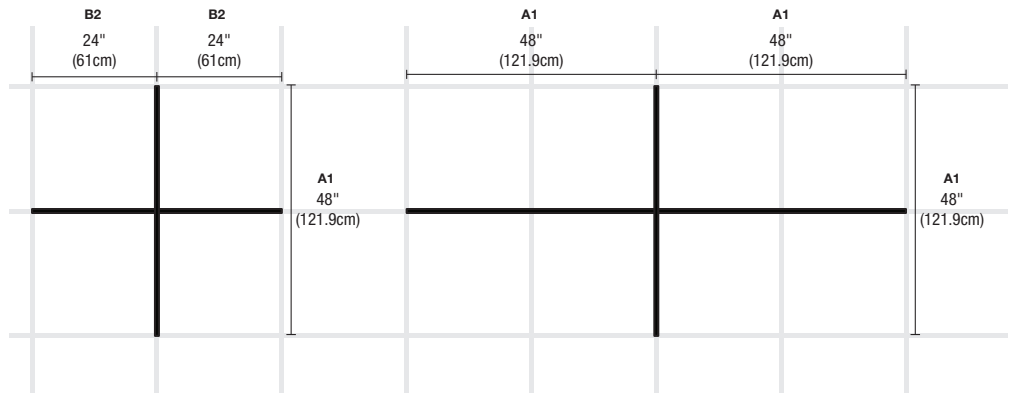
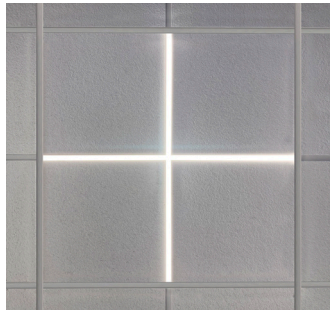
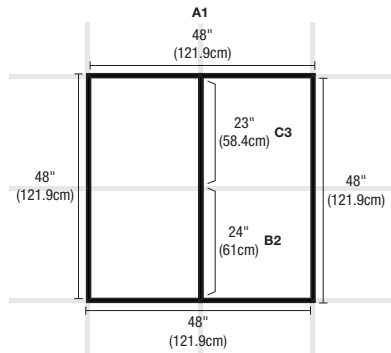
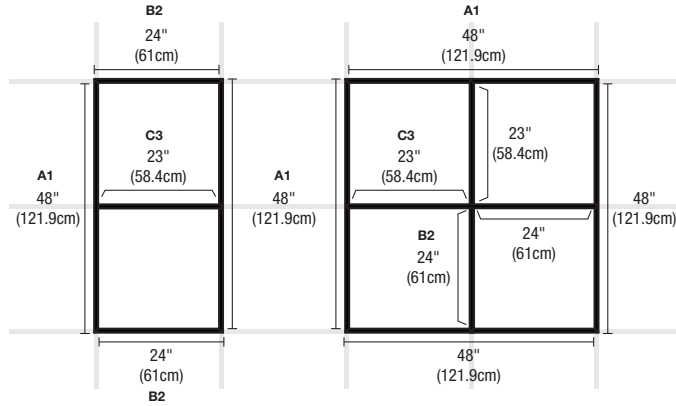
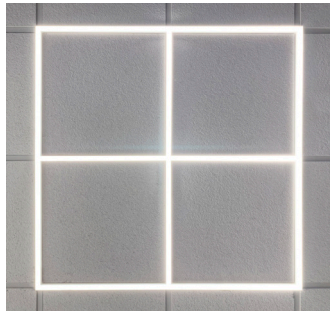
# FREEFORM TBAR CEILING

24VDC REMOTE POWER, MATTE WHITE LENS OR DEEP CELL REFLECTOR



USA PATENT PENDING

REV 09.19.22



PROJECT		FIXTURE TYPE		DATE	
---------	--	--------------	--	------	--



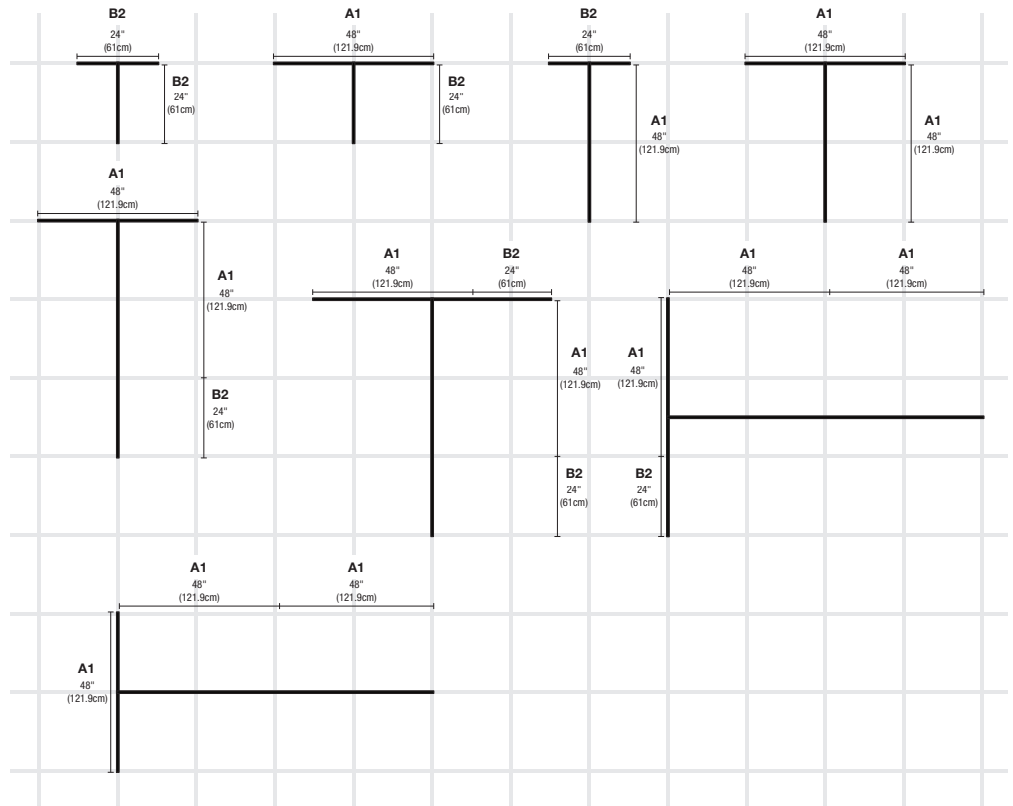
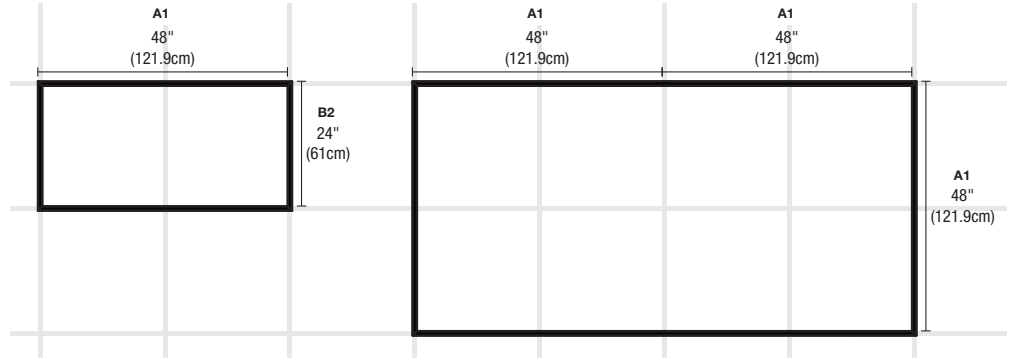
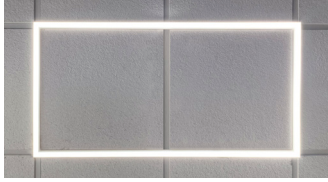
# FREEFORM TBAR CEILING

24VDC REMOTE POWER, MATTE WHITE LENS OR DEEP CELL REFLECTOR



USA PATENT PENDING

REV 09.19.22



PROJECT	FIXTURE TYPE	DATE
---------	--------------	------





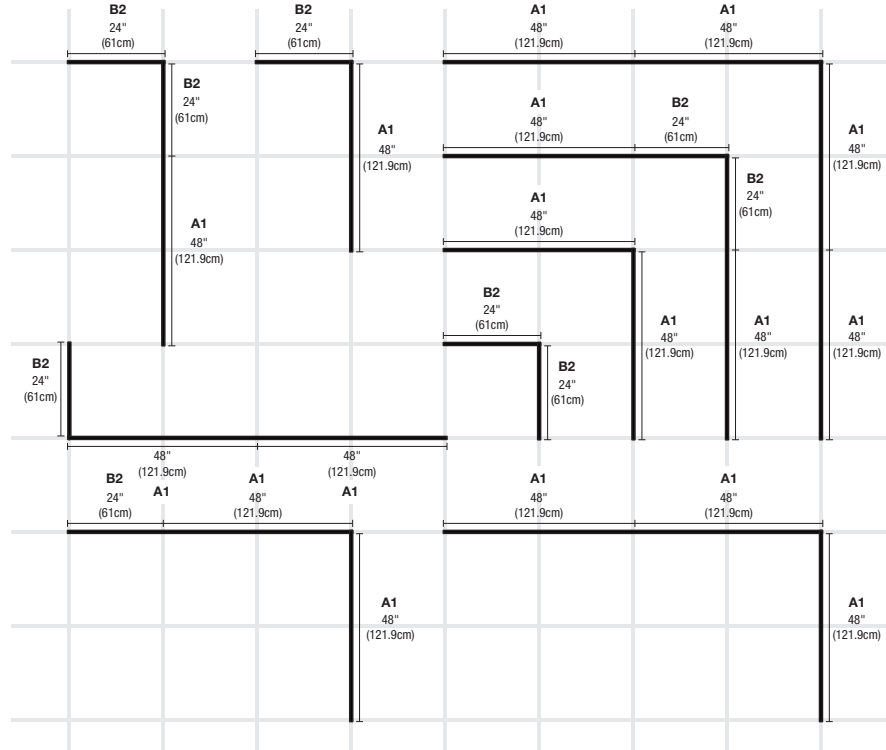
# FREEFORM TBAR CEILING

24VDC REMOTE POWER, MATTE WHITE LENS OR DEEP CELL REFLECTOR



USA PATENT PENDING

REV 09.19.22



PROJECT	FIXTURE TYPE	DATE
---------	--------------	------

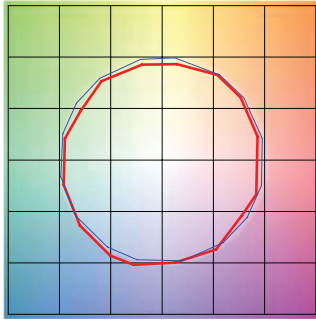
# TM30 DATA

24VDC REMOTE POWER, MATTE WHITE LENS OR DEEP CELL REFLECTOR

## TM-30-15 DATA

**2700K** | Rf: 87.7 | Rg: 96.1

Color Vector Graphic

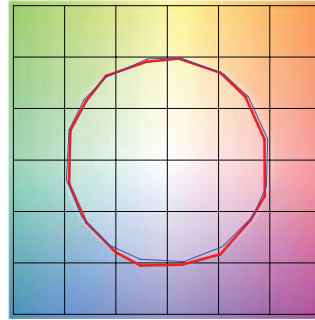


■ Test ■ Reference

GRAPHIC SHIFTS %			
HUE BIN	Rf	CHROMA	HUE
1	88.0	-4.3%	2.6%
2	91.6	-2.4%	2.0%
3	93.7	-1.4%	1.9%
4	88.9	-5.6%	-3.1%
5	92.3	-5.5%	-0.5%
6	92.9	-3.5%	0.1%
7	84.5	-7.5%	4.6%
8	90.8	-3.0%	4.4%
9	84.5	-1.3%	8.3%
10	83.9	2.0%	9.8%
11	87.2	5.3%	7.1%
12	89.2	5.4%	-2.6%
13	88.7	0.3%	-7.8%
14	86.8	1.7%	-9.3%
15	87.6	-5.4%	-1.3%
16	83.6	-3.3%	-9.5%

**3000K** | Rf: 88.1 | Rg: 99.7

Color Vector Graphic

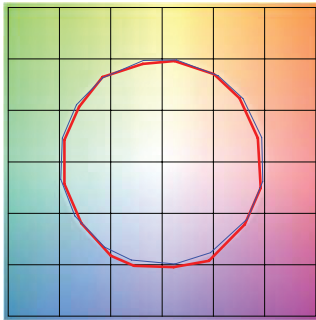


■ Test ■ Reference

GRAPHIC SHIFTS %			
HUE BIN	Rf	CHROMA	HUE
1	92.5	-3.1%	0.3%
2	93.3	-2.3%	1.9%
3	90.9	-0.8%	3.9%
4	94.3	-1.1%	1.4%
5	92.5	-2.6%	1.5%
6	96.4	1.2%	-0.3%
7	92.6	-2.5%	-0.0%
8	96.9	-1.4%	0.2%
9	92.3	-1.8%	4.3%
10	86.6	-0.7%	7.0%
11	86.5	2.4%	8.2%
12	89.8	5.9%	1.7%
13	93.9	2.6%	-2.7%
14	89.4	5.1%	-5.8%
15	90.1	-0.1%	-4.7%
16	86.5	0.3%	-9.7%

**3500K** | Rf: 86.1 | Rg: 95.5

Color Vector Graphic

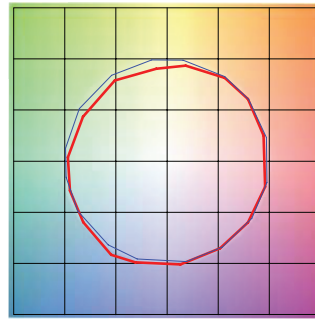


■ Test ■ Reference

GRAPHIC SHIFTS %			
HUE BIN	Rf	CHROMA	HUE
1	90.8	-3.8%	0.3%
2	92.3	-2.8%	2.1%
3	89.7	-1.0%	4.3%
4	92.6	-1.4%	1.7%
5	91.8	-3.1%	1.3%
6	96.2	0.8%	-0.4%
7	92.9	-3.2%	0.2%
8	94.3	-2.5%	1.5%
9	90.4	-2.5%	5.2%
10	84.3	-1.4%	9.5%
11	83.1	3.5%	9.8%
12	88.2	4.8%	3.4%
13	94.0	2.7%	-2.0%
14	88.7	5.9%	-5.8%
15	88.7	0.7%	-5.9%
16	86.8	-0.7%	-6.7%

**4000K** | Rf: 87.6 | Rg: 96.8

Color Vector Graphic

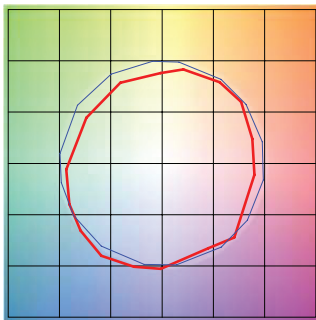


■ Test ■ Reference

GRAPHIC SHIFTS %			
HUE BIN	Rf	CHROMA	HUE
1	88.9	-2.4%	2.5%
2	93.3	-0.4%	0.8%
3	94.8	-1.0%	-0.6%
4	87.9	-4.9%	-3.6%
5	85.3	-9.4%	-2.6%
6	90.2	-6.0%	0.2%
7	85.3	-7.6%	4.6%
8	83.7	-4.1%	8.2%
9	79.5	-1.1%	13.8%
10	78.6	1.5%	12.1%
11	83.5	6.4%	7.8%
12	90.9	3.6%	-1.1%
13	88.3	1.7%	-6.3%
14	91.9	-0.4%	-2.2%
15	84.5	-0.9%	-5.5%
16	84.7	-1.1%	-4.4%

**5700K** | Rf: 80.3 | Rg: 91.5

Color Vector Graphic



■ Test ■ Reference

GRAPHIC SHIFTS %			
HUE BIN	Rf	CHROMA	HUE
1	75.4	-8.9%	4.7%
2	87.5	-2.6%	4.6%
3	90.7	-3.0%	-0.5%
4	83.2	-6.0%	-5.7%
5	76.2	-12.9%	-5.3%
6	81.4	-11.9%	-2.6%
7	74.8	-14.0%	5.1%
8	69.0	-9.0%	14.1%
9	72.6	-3.6%	22.2%
10	71.4	2.7%	16.1%
11	81.3	7.9%	5.3%
12	83.6	4.1%	-9.4%
13	78.4	0.7%	-15.3%
14	77.7	-6.2%	-11.0%
15	68.8	-1.3%	-21.2%
16	80.8	-9.6%	3.3%

PROJECT	FIXTURE TYPE	DATE
---------	--------------	------