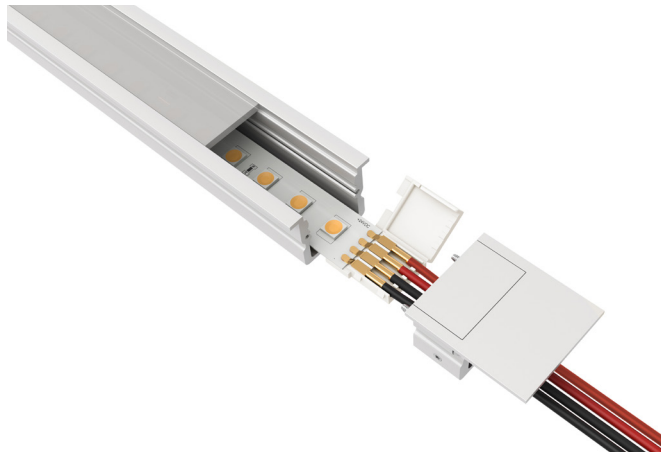


LIGHT CHANNEL 0.6" DIY RECESSED MILLWORK

24VDC LED DO-IT-YOURSELF TUNABLE WHITE, WARM DIM, RGB & MONOCHROMATIC STATIC COLOR

DESIGNED BY GREGORY KAY | ASSEMBLED IN AMERICA

REV 09.15.21



LCMW.6 Light Channel Diffused Lens



LCMW.6 Light Channel Clear Lens



LCMW.6 Light Channel Diffused Lens with White Louver

FEATURES & BENEFITS

- 24VDC LED Strip is high performance, highly durable and designed to withstand the harsh elements of a job site, including stumping and twisting
- Gold Plated Contacts prevent oxidation ensuring longevity of the LEDs
- 35 LED diodes per foot provide high performance and clean, uniform light distribution without diodes when used with a diffused lens
- Cut and assemble in field
- Snap & Light Solderless Connections reduce labor during installation
- 24VDC LED Strip offers excellent color-rendering
- Diffused Lens **(D)** projects uniform light distribution through a glare-free diffused lens without pixelation
- Clear Lens **(C)** provides maximum illumination use a transparent clear lens. LED's WILL SHOW.
- Clear Lens White Louver **(CW)**
- Clear Lens Black Louver **(CB)**
- Diffused Lens White Louver **(DW)**
- Diffused Lens Black Louver **(DB)**
- Gel Diffused Lens **(G)** provided by the customer, please visit www.leefilters.com for more information
- 5 year pro-rated warranty included

APPLICATIONS

Provides maximum light levels for task and general illumination. Indoor only - Under/above cabinet, cove, and retail, recessed into millwork.

REQUIRED COMPONENTS (ORDERED SEPARATELY)

- Light Channel .6 Recessed Millwork and Lens (Mounting Clips included)
- End Caps (sold in pairs)
- Solderless Connectors: L, T and X
- 24VDC Light Channel Solderless Snap & Light Power/Jumper Connector
- 24VDC LED Strip

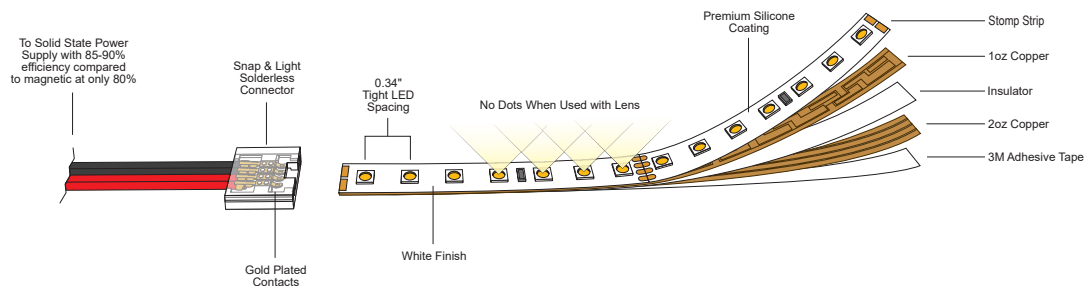
REMOTE POWER SUPPLIES*, DIMMERS & CONTROLS (SOLD SEPARATELY)

- UNI Driver- Universal Dimming **(ELV, 0-10, TRIAC)**
- Electronic Low Voltage Dimming **(ELV)[†]**
- Dynamic Color Changing **(DMX)**
- 0-10 Volt Dimming **(0-10V)**
- Lutron Hi-Lume[®]

*In-Wall Mounting Kits available for select power supplies

**Tunable White - Requires two dimmers (one for 2000K/2700K and one for 4000K/6500K) or use our proprietary Tunable White Controller CDMX-1

[†]ELV power supplies are not compatible with nLight, use only 0-10 volt or Uni driver power supplies



PROJECT		FIXTURE TYPE		DATE	
---------	--	--------------	--	------	--

LIGHT CHANNEL 0.6" DIY RECESSED MILLWORK

24VDC LED DO-IT-YOURSELF TUNABLE WHITE, WARM DIM, RGB & MONOCHROMATIC STATIC COLOR

REV 09.15.21

REQUIRED COMPONENTS: Select Light Channel .6 Recessed Millwork option, End Caps and Power Connector based on lighting design.



C LCMW.6 Light Channel Clear Lens



Antique Bronze
White
Satin Aluminum with Black Louvers




0.88" (2.2cm)
0.59" (1.5cm)
0.61" (1.5cm)
0.55" (1.4cm)
0.7" (1.8cm)

LIGHT CHANNEL .6 RECESSED MILLWORK

Start the ordering process by selecting the desired length and lens option. Next, order the Stomp Strip, End Caps, Power Feed Joiner and Jumper. At 0.61" tall the channel has a low profile, made of aluminum with 3 finish options, and fits a 24VDC LED Stomp Strip inside. The channel and lens may be cut in the field, and may be joined together using the Light Channel Snap & Light Solderless Jumper/Power Connector. Mounting Clips are included with every 2' of channel, and can also be ordered separately as replacement parts.



D LCMW.6 Light Channel Diffused Lens

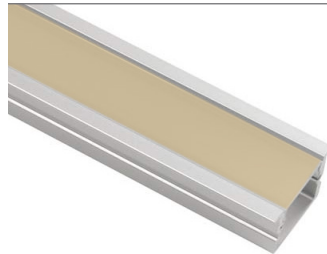


Antique Bronze
White
Satin Aluminum with Black Louvers

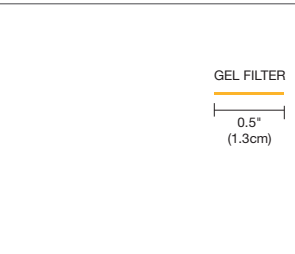


0.88" (2.2cm)
0.59" (1.5cm)
0.61" (1.5cm)
0.55" (1.4cm)
0.7" (1.8cm)

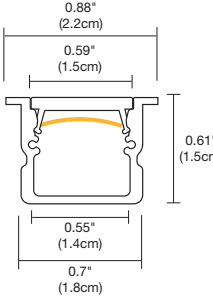
System	Length in Feet	Lens	Finish
LCMW.6	10FT	D	SA
LCMW.6 Light Channel 0.6" Recessed Millwork	2FT 2' 4FT 4' 5FT 5' 8FT 8' 10FT 10'	D Diffused Lens C Clear Lens DW Diffused Lens with White Louver DB Diffused Lens with Black Louver CW Clear Lens with White louver CB Clear Lens with Black Louver GZ Grazer Lens, Clear 10° GZF Grazer Lens, Frosted 20°	BZ Antique Bronze SA Satin Aluminum WH White




G LCMW.6 Light Channel Diffused Lens with Gel Color Filter (provided by customer)




Antique Bronze
White
Satin Aluminum with Black Louvers



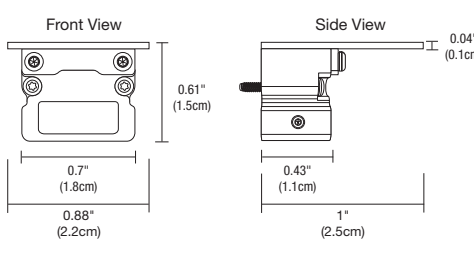
GEL FILTER
0.5" (1.3cm)
0.88" (2.2cm)
0.59" (1.5cm)
0.61" (1.5cm)
0.55" (1.4cm)
0.7" (1.8cm)



Antique Bronze **BZ** Satin Aluminum **SA** White **WH**




END CAPS
End Caps are sold in pairs and provide a finished look at the end of a run as well as hold the required power connector.



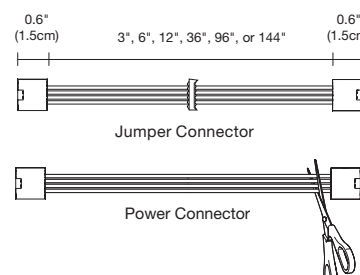
Front View
0.61" (1.5cm)
0.7" (1.8cm)
0.88" (2.2cm)

Side View
0.04" (0.1cm)
0.43" (1.1cm)
1" (2.5cm)

System	Product	Type	Finish
LCMW.6	SLC	CA	SA
LCMW.6 Light Channel 0.6" Recessed Millwork	SLC Snap and Light Connector	CA End Caps	SA Satin Aluminum BZ Antique Bronze WH White



24VDC LIGHT CHANNEL SOLDERLESS SNAP & LIGHT JUMPER/POWER CONNECTOR
Use as a power connector is required, and use as a jumper connector is optional. Join 2 cut sections of LED Stomp Strip end to end within the channel. Solderless connections provide easy installation and are compatible with Solderless Light Channel Connector accessories. To use as a power connector cut and strip the wires.



Jumper Connector
0.6" (1.5cm) 3", 6", 12", 36", 96", or 144" 0.6" (1.5cm)

Power Connector

System	Product	Length
LC	SLC	3IN
LC Light Channel	SLC Solderless Snap & Light Jumper/Power Connector	3IN 3 Inches 36IN 36 Inches 6IN 6 Inches 96IN 96 Inches 12IN 12 Inches 144IN 144 Inches

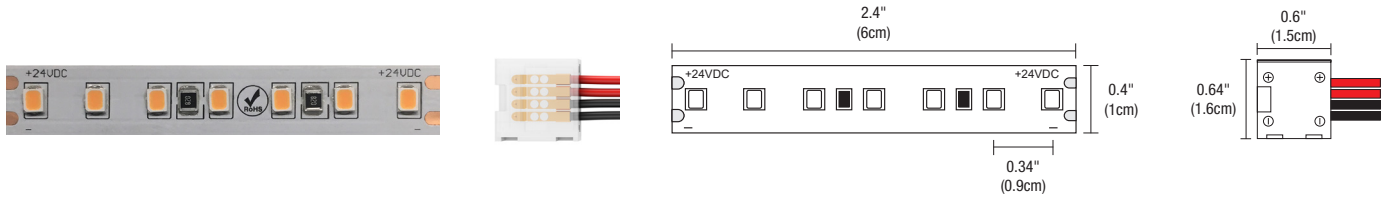
PROJECT	FIXTURE TYPE	DATE
---------	--------------	------

STOMP STRIP SNAP AND LIGHT

(2.5W, 5W & 7W) 24VDC STATIC WHITE, WARM DIM & TUNABLE WHITE

DESIGNED BY GREGORY KAY | ASSEMBLED IN AMERICA

REV 09.15.21



CAN'T STOMP ME OUT

Our Low Voltage DIY (Design-It-Yourself) Stomp Strip is value engineered and highly durable, designed to withstand the harsh elements of a job site, including stomping and twisting. Stomp Strip is used for our DIY Light Channels.

FEATURES & BENEFITS

- Snap & Light Solderless Connectors reduce time and labor during installation
- Value Engineered: Developed to meet popular demand for cost effective illumination without sacrificing output, color rendering and efficacy
- Tolerance: Created to resist damage in rigorous environments such as busy commercial jobsites
- Compact LED spacing: Produce uniform light distribution without visible diodes or hot spots when used within a diffused lens
- 4oz Layer of Copper Busbar: Provides superior heat dissipation and less voltage drop equivalent to 14AWG wire
- Premium Coating: Optically Clear Silicone prevents fading over time
- Mounting: Industrial 3M tape lined strip for strong, self-adhesion to most smooth, finished surfaces
- Applications: Indoor, damp and dry locations
- Warranty: Includes a 5-year pro-rated warranty

SPECIFICATIONS

- 24VDC
- 2.5, 4.4 or 7.3 watts per foot
- Sold in 1' increments
- Field-cuttable increments: Static White 2.4", Warm Dim and Tunable White 3"
- Operating temperature: -22°F to 140°F (-30°C to 60°C)

LAMP

- 7 Static White Color Temperatures **22K-57K**
- Warm Dim: **27D** and **30D** dim down to 2000K, resembling incandescent light sources
- Tunable White: **2K6K** (2000K-6500K) and **27K6** (2700K-6500K)
- Average life: 50,000 hours

REMOTE POWER SUPPLIES*, DIMMING & CONTROLS (SOLD SEPARATELY)

- Electronic Low Voltage Dimming (ELV)[†]
- Uni Driver: Universal dimming (ELV, 0-10V, TRIAC)
- 0-10 Volt (0-10) Dimming
- Color Changing (DMX)
- Lutron Hi-Lume[®]

*In-Wall Mounting Kits available for select Power Supplies

[†]ELV power supplies are not compatible with nLight, use only 0-10 volt. Universal driver or Lutron Hi-Lume[®] power supplies

MAXIMUM LENGTHS BEFORE RE-FEEDING

- 2WDC, 2.5 watts per foot - 40' (Excludes Warm Dim)
- 5WDC, 4.4 watts per foot - 20'
- 7WDC, 7.3 watts per foot - 12' (Excludes Warm Dim)

REQUIRED COMPONENTS (SOLD SEPARATELY)

- Remote Power Supply
- Snap & Light Power Connector

ACCESSORIES (SOLD SEPARATELY)

- 24VDC Solderless Snap & Light Jumper Connector
- Mounting Straps & Clips

APPROVALS

Class 2 Wiring up to 100 watts, Damp Location Suitable, ETL listed.

WATTS PER FOOT	ST2A							ST5A							ST7A								
	2.5W							4.4W							7.3W								
COLOR TEMPERATURE	22K	24K	27K	30K	35K	40K	57K	22K	24K	27K	27D*	30K	30D*	35K	40K	57K	22K	24K	27K	30K	35K	40K	57K
LUMENS PER FOOT (lm/ft)	284	284	287	299	343	362	383	525	525	531	606	553	631	634	669	708	811	811	820	854	980	1033	1093
LUMENS PER WATT (lm/w)	114	114	115	120	137	145	153	119	119	121	126	126	131	144	152	161	111	111	112	117	134	142	150
CRI	92+	92+	92+	92+	92+	92+	92+	92+	92+	92+	94+	92+	94+	92+	92+	92+	92+	92+	92+	92+	92+	92+	92+

*27D, 30D - Warm Dim (4.8 Watts)

WATTS PER FOOT	ST2A 2K6K (2000K-6500K)					ST2A 27K6 (2700K-6500K)					ST5A 2K6K (2000K-6500K)					ST5A 27K6 (2700K-6500K)																
	2.5W					2.5W					4.6W					4.6W																
COLOR TEMPERATURE	20K	22K	24K	27K	30K	35K	40K	57K	65K	27K	30K	35K	40K	45K	57K	65K	20K	22K	24K	27K	30K	35K	40K	57K	65K	27K	30K	35K	40K	45K	57K	65K
LUMENS PER FOOT (lm/ft)	152	154	156	158	160	165	180	194	208	164	195	201	206	225	242	231	368	383	398	413	428	458	491	496	500	411	420	436	452	447	443	442
LUMENS PER WATT (lm/w)	82	77	78	79	80	82	90	97	115	82	78	80	82	90	97	115	80	80	83	86	89	95	102	103	109	103	91	95	98	97	96	110
CRI	91+	91+	91+	94+	93+	92+	92+	91+	91+	94+	93+	92+	92+	92+	92+	91+	91+	91+	91+	94+	93+	92+	92+	91+	91+	94+	93+	92+	92+	92+	91+	

WATTS PER FOOT	ST7A 2K6K (2000K-6500K)					ST7A 27K6 (2700K-6500K)										
	7.3W					7.3W										
COLOR TEMPERATURE	20K	22K	24K	27K	30K	35K	40K	57K	65K	27K	30K	35K	40K	45K	57K	65K
LUMENS PER FOOT (lm/ft)	512	536	560	584	608	656	691	698	705	555	567	589	610	603	598	596
LUMENS PER WATT (lm/w)	80	74	78	81	84	91	96	97	110	87	79	82	85	84	83	93
CRI	91+	91+	91+	94+	93+	92+	92+	91+	91+	94+	93+	92+	92+	92+	92+	91+

System	Voltage	Length in Feet	Color Temperature
ST2A	24V	40	27K
ST2A Stomp Strip, 2.5 watts (40ft Max)	24V 24 Volt	1-40	22K 2200K Amber White
ST5A Stomp Strip, 4.4 watts (20ft Max)			24K 2400K Very Warm White
ST7A Stomp Strip, 7.3 watts (12ft Max)			27K 2700K Incandescent White
			27D 2700K Warm Dim (5W Only)
			30K 3000K Warm White
			30D 3000K Warm Dim (5W Only)
			35K 3500K Neutral White
			40K 4000K Cool White
			57K 5700K Daylight White
			2K6K Tunable White 2000K-6500K
			27K6 Tunable White 2700K-6500K

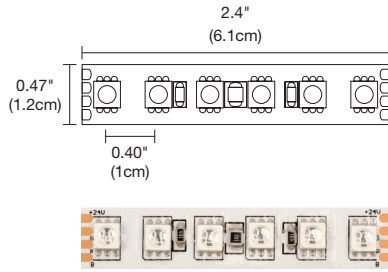
PROJECT	FIXTURE TYPE	DATE
---------	--------------	------

LIGHT CHANNEL 0.6" DIY RECESSED MILLWORK

24VDC LED DO-IT-YOURSELF TUNABLE WHITE, WARM DIM, RGB & MONOCHROMATIC STATIC COLOR

REV 09.15.21

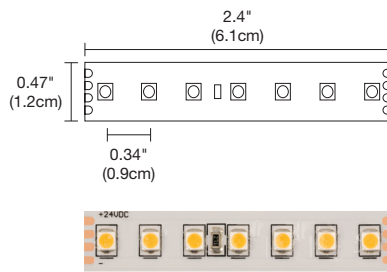
REQUIRED COMPONENTS: Select 24VDC LED Stomp Strip based on desired color temperature and application.



DYNAMIC COLOR CHANGING RGB

Dynamic Color Changing RGB Stomp Strip consumes 5 watts per linear foot. RGB provides dynamic color changing effects with RED/GREEN/BLUE LEDs. SS5 RGB Stomp Strip uses DMX power supplies.

System	Voltage	Length in Feet	Color Temperature
SS5	24V	20	RGB
SS5 LED Stomp Strip Special Application 5 watts per foot	24V 24 Volt	1-20 1 - 20 feet	RGB Red/Green/Blue Dynamic Color RGB

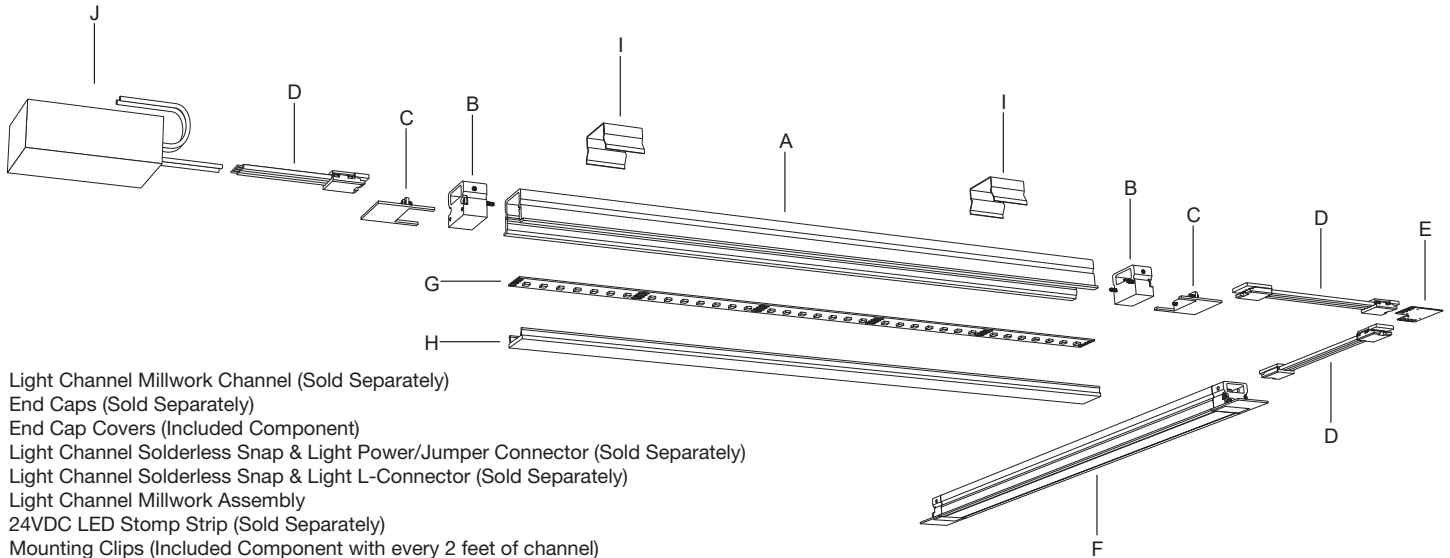


MONOCHROMATIC STATIC COLOR

Monochromatic Static Color offers a variety of color options for special applications or special lighting effects in which static colors are used. Consumes 4.8 Watts of power per linear foot. Powered using; UNI-POWER, 0-10V or ELV power supply options.

System	Voltage	Length in Feet	Color Temperature
SS5	24V	36	AAA
SS5 LED Stomp Strip Special Application 4.8 watts per foot	24V 24 Volt	1-36 1 - 36 feet	RRR Red Static Color Monochromatic GGG Green Static Color Monochromatic BBB Blue Static Color Monochromatic AAA Amber Static Color Monochromatic

Light Channel .6 Recessed Millwork DIY System Overview



- A. Light Channel Millwork Channel (Sold Separately)
- B. End Caps (Sold Separately)
- C. End Cap Covers (Included Component)
- D. Light Channel Solderless Snap & Light Power/Jumper Connector (Sold Separately)
- E. Light Channel Solderless Snap & Light L-Connector (Sold Separately)
- F. Light Channel Millwork Assembly
- G. 24VDC LED Stomp Strip (Sold Separately)
- H. Mounting Clips (Included Component with every 2 feet of channel)
- I. Remote Power Supply (PSB-60L-ELV-24VDC shown), (Sold Separately)
- J. Light Channel Millwork Channel (Sold Separately)

PROJECT	FIXTURE TYPE	DATE
---------	--------------	------

LIGHT CHANNEL 0.6" DIY RECESSED MILLWORK

24VDC LED DO-IT-YOURSELF TUNABLE WHITE, WARM DIM, RGB & MONOCHROMATIC STATIC COLOR

REV 09.15.21

INDOOR 24VDC LED STOMP STRIP: Accessories (sold separately)

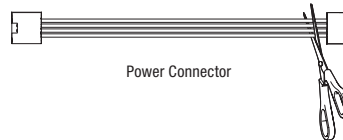
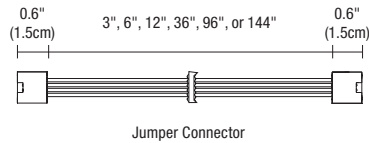


Using the Snap & Light Solderless Connectors: Cutting and reconnecting our LED Stomp Strip is easy. All you need is a pair of scissors or any sharp device that will allow you to make a clean cut.

1. Cut or solder the middle of joining contacts
2. Remove the protective coating from the contacts

3. Place the LED Stomp Strip end under the plastic guide and push it under the snap contacts

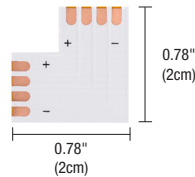
4. Close the cover
5. Snap the cover to secure in place



24VDC SOLDERLESS SNAP & LIGHT POWER/JUMPER CONNECTOR

Join 2 cut sections of LED Stomp Strip end to end. Use as a power connector is required. Use as a jumper connector is optional. To use as a power connector cut and strip the wires.

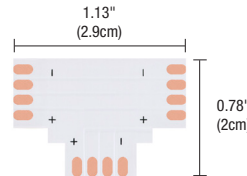
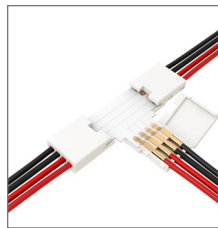
Product	Type	Size						
LC	SLC	12IN						
LC Light Channel	SLC Snap & Light Jumper or Power Connectors	<table border="0"> <tr> <td>3IN 3 inches</td> <td>36IN 36 inches</td> </tr> <tr> <td>6IN 6 inches</td> <td>96IN 96 inches</td> </tr> <tr> <td>12IN 12 inches</td> <td>144IN 144 inches</td> </tr> </table>	3IN 3 inches	36IN 36 inches	6IN 6 inches	96IN 96 inches	12IN 12 inches	144IN 144 inches
3IN 3 inches	36IN 36 inches							
6IN 6 inches	96IN 96 inches							
12IN 12 inches	144IN 144 inches							



LIGHT CHANNEL SOLDERLESS SNAP & LIGHT L-CONNECTOR

Conducts power to 2 sections of LED Strip within the Light Channel. Requires Light Channel Solderless Snap & Light Power/Jumper Connector (sold separately) for use.

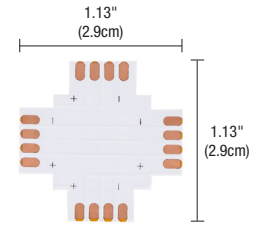
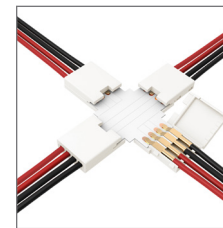
System	Product
LC	SLL
LC Light Channel	SLL Snap & Light L-Connector



LIGHT CHANNEL SOLDERLESS SNAP & LIGHT T-CONNECTOR

Conducts power to 3 sections of LED Strip within the Light Channel. Requires Light Channel Solderless Snap & Light Power/Jumper Connector (sold separately) for use.

System	Product
LC	SLT
LC Light Channel	SLT Snap & Light T-Connector



LIGHT CHANNEL SOLDERLESS SNAP & LIGHT X-CONNECTOR

Conducts power to 4 sections of LED Strip within the Light Channel. Requires Light Channel Solderless Snap & Light Power/Jumper Connector (sold separately) for use.

System	Product
LC	SLX
LC Light Channel	SLX Snap & Light X-Connector

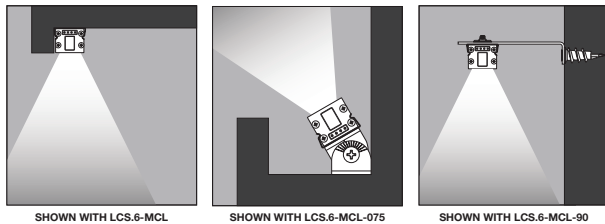
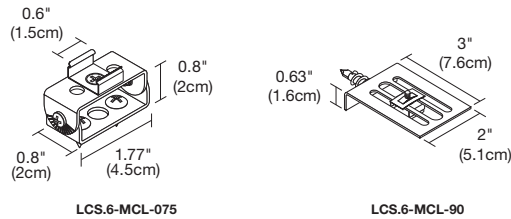
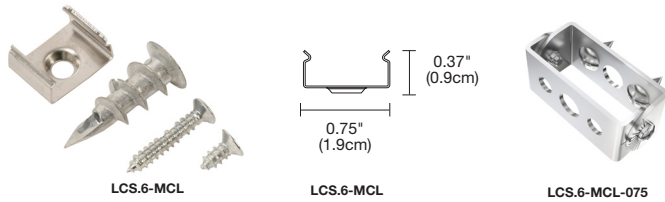
PROJECT	FIXTURE TYPE	DATE
---------	--------------	------

LIGHT CHANNEL 0.6" DIY RECESSED MILLWORK

24VDC LED DO-IT-YOURSELF TUNABLE WHITE, WARM DIM, RGB & MONOCHROMATIC STATIC COLOR

REV 09.15.21

ACCESSORIES: Order based on lighting design or as replacement parts.



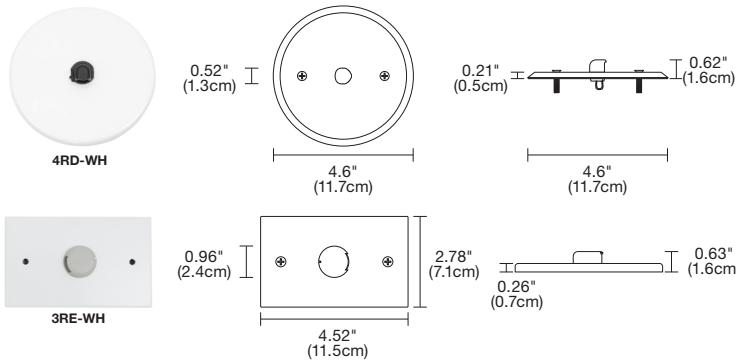
MOUNTING CLIPS

LCMW.6-MCL mounting clips are provided with every 2' of Light Channel and may be ordered separately as replacement parts. The LCMW.6-MCL-075 rotates Light Channel up to 75°. LCMW.6-MCL-90 mounts Light Channel at a 90° angle.

System	Product	Type
LCMW.6	MCL	Standard (Leave Blank)
LCMW.6 Light Channel 0.6" Recessed Millwork	MCL Mounting Clip	075 Adjusts 0-75° 90 Mounts to 90°

CANOPY COVER & SPLICE BOX

Use for remote located power supply. The 3" rectangle or 4" round white canopy covers the electrical box and feeds wires for Light Channel.



Product	Finish
3RE	WH
3RE 3" Rectangle Canopy Cover	WH White
4RD 4" Round Canopy Cover	

PROJECT	FIXTURE TYPE	DATE
---------	--------------	------

UNIVERSAL POWER SUPPLIES & RECOMMENDED DIMMERS

ORDERING CODE	PSB-40W-UNI-24VDC	PSB-60W-UNI-24VDC	PSB-2X40W-UNI-24VDC	PSB-2X60W-UNI-24VDC
SPECIFICATIONS				
MAXIMUM LOAD	40W	60W	2X40W	2X60W
INPUT VOLTAGE	120-277VAC	120-277VAC	120-277VAC	120-277VAC
OUTPUT VOLTAGE	24VDC	24VDC	24VDC	24VDC
DIMENSIONS	12.4" X 3.12" X 2.18"	12.4" X 3.12" X 2.18"	12.15" X 6.48" X 2.18"	12.15" X 6.48" X 2.18"
CLASSIFICATION	CLASS 2	CLASS 2	CLASS 2	CLASS 2
T-BAR MOUNTING	PSB-40W-UNI-24VDC-TB	PSB-60W-UNI-24VDC-TB	PSB-2X40W-UNI-24VDC-TB	PSB-2X60W-UNI-24VDC-TB
IN-WALL MOUNTING	PSB-40W-UNI-24VDC-IW	PSB-60W-UNI-24VDC-IW	PSB-2X40W-UNI-24VDC-IW	PSB-2X60W-UNI-24VDC-IW

UNIVERSAL POWER SUPPLIES & RECOMMENDED DIMMERS

ORDERING CODE	PSB-96W-UNI-24VDC	PSB-2X96W-UNI-24VDC	PSB-3X96W-UNI-24VDC	PSB-4X96W-UNI-24VDC
SPECIFICATIONS				
MAXIMUM LOAD	96W	2X96W	3X96W	4X96W
INPUT VOLTAGE	120-277VAC	120-277VAC	120-277VAC	120-277VAC
OUTPUT VOLTAGE	24VDC	24VDC	24VDC	24VDC
DIMENSIONS	12.4" X 3.12" X 2.18"	12.15" X 6.48" X 2.18"	14" X 10" X 3"	17" X 13" X 3"
CLASSIFICATION	CLASS 2	CLASS 2	CLASS 2	CLASS 2
T-BAR MOUNTING	PSB-96W-UNI-24VDC-TB	PSB-2X96W-UNI-24VDC-TB	PSB-3X96W-UNI-24VDC-TB	PSB-4X96W-UNI-24VDC-TB
IN-WALL MOUNTING	PSB-96W-UNI-24VDC-IW	PSB-2X96W-UNI-24VDC-IW	NA	NA

ELV DIMMING & CONTROLS

LUTRON DIVA: DVELV-300P	•	•	•	•
LUTRON SKYLARK: SELV-300P	•	•	•	•
LUTRON RADIO RA2: RRD-6NA	•	•	•	•
LUTRON MAESTRO: MAELV-600	•	•	•	•
LEGRAND ADORNE: ADTP-703TUM4	•	•	•	•

0-10 DIMMING & CONTROLS

PHILIPS SUNRISE: SR1200ZTUNV	•	•	•	•
LUTRON DIVA: DVTW-WH, DVSTV-WH	•	•	•	•
LUTRON NOVA T: NTSTV-DV-XX	•	•	•	•
LUTRON GRAFIX EYE QS: QSGRJ-XP	•	•	•	•
LUTRON RADIO RA2: RRD-10ND	•	•	•	•
LEVITON: LEV40050	•	•	•	•
LEVITON IP710-LFZ	•	•	•	•
LEGRAND: ADPD4FBL3P2W4	•	•	•	•

TRIAC DIMMING & CONTROLS

LUTRON SKYLARK: S2-L-WH	•	•	•	•
LUTRON DIVA DVLV-600P-WH	•	•	•	•
LUTRON DIVA DVLV-603P-WH	•	•	•	•
LUTRON MAESTRO MALV-600-WH	•	•	•	•
LUTRON MAESTRO MALV-1000-WH	•	•	•	•
LUTRON MAESTRO MA-R-XX	•	•	•	•

- Flicker free dimming
- Aluminum casing for optimal heat dissipation
- Isolated output power per NEC and UL safety requirements
- UL & ETL recognized/ listed, meets UL 8750, 1310 requirements
- Auto-reset; short circuit, overload and thermal protection
- Class 2 power supply
- Efficient, High power factor > 0.90

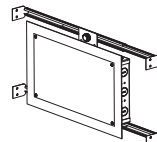
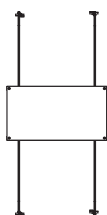
*Title 24 with JAB listed PureEdge products and systems

*Tunable White requires Dual power Supplies and Controls. For single control use with our proprietary Tunable White Controller CDMX-1, refer to Universal Tunable White Power Supply Specifications. Up + Down Light fixtures and Systems can be controlled individually or together depending on the power supply selection.

- The Solid State Constant Voltage Uni-Power Supply is compatible with most commercially available Dimmers:
 - Triac Dimmer: (Forward Phase) Typically used for the dimming of Incandescent and Low Voltage Magnetic Transformers
 - ELV Dimmer: (Reverse Phase) Dimming of Electronic Low Voltage Transformers and Power Supplies used for LED lighting
 - 0-10 Dimmer: Dims the Low Voltage side of a 0-10 volt power supply commonly used in large scale lighting or commercial applications.
- The Uni-Power Supply is recommended with any Siemens/Murray brand of arc fault breaker to overcome the issues with tripping the breakers with an ELV LED Low Voltage Drivers.

T-BAR Mounting Kit: Includes power supply, box cover, and T-bar hangers for installing Junction Box above ceiling with in easy reach. Comes with 4' of 14 gauge pair Teflon cables with quick secure connectors.

Ordering Codes : PSB-40W-UNI-24VDC-TB, PSB-60W-UNI-24VDC-TB, PSB-96W-UNI-24VDC-TB, PSB-2X40W-UNI-24VDC-TB, PSB-2X60W-UNI-24VDC-TB, PSB-2X96W-UNI-24VDC-TB, PSB-3X96W-UNI-24VDC-TB, PSB-4X96W-UNI-24VDC-TB



In-Wall Mounting Kit: Includes power supply, box cover and stud hangers for installing Junction Box in wall. Select "IW" in the options section of compatible power supply ordering codes if an In-Wall Mounting Kit is needed.

Ordering Codes 5.1" x 14.25": PSB-40W-UNI-24VDC-IW, PSB-60W-UNI-24VDC-IW, PSB-96W-UNI-24VDC-IW

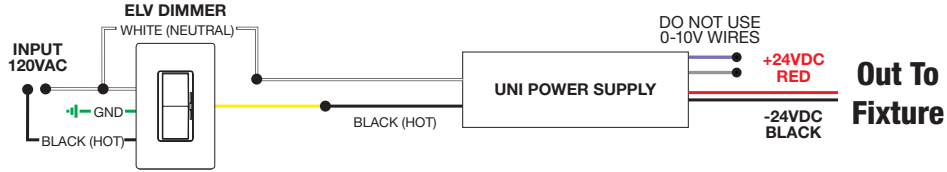
Ordering Codes 8.5" x 14.25": PSB-2X40W-UNI-24VDC-IW, PSB-2X60W-UNI-24VDC-IW, PSB-2X96W-UNI-24VDC-IW

PROJECT	FIXTURE TYPE	DATE
---------	--------------	------

WIRING DIAGRAMS UNIVERSAL POWER SUPPLY

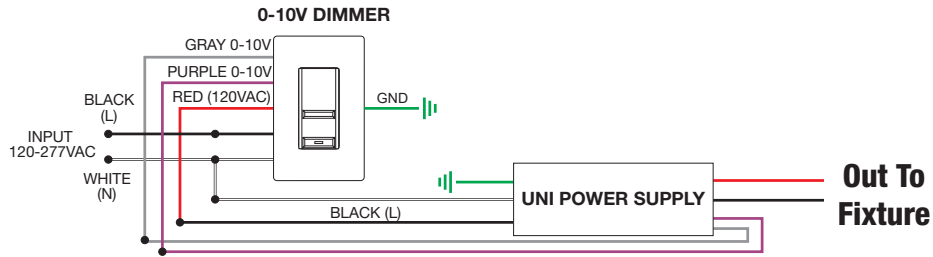
Application: ELV dimming for Static White and Warm Dim

Dimming: Dimmable with ELV dimmer: Legrand, Adorne ADTP703TU; Lutron: Diva DVELV-300P, Skylark SELV-300P, Maestro MAELV-600 and Radio Ra 2



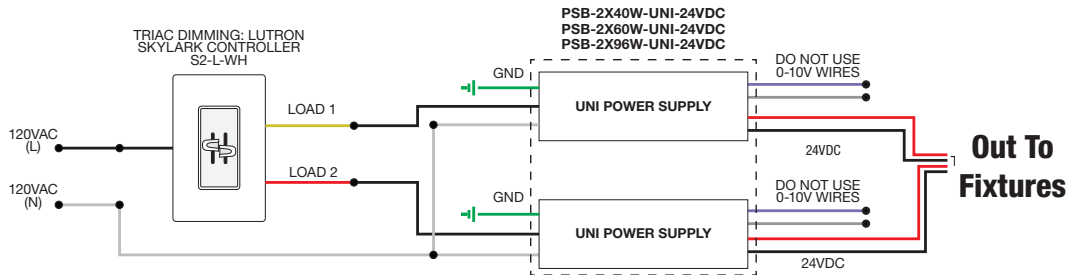
Application: 0-10V dimming for Static White

Dimming: Dimmable with 0-10V dimmer: Philips Sunrise: SR1200ZTUNV; Lutron Diva: DVTV-WH, DVSTV-WH; Lutron Nova T: NTSTV-DV-XX; Lutron Grafix EYE QS: QSGRJ-XP; Lutron Radio Ra2: RRD-10ND; Leviton: LEV40050; Leviton IP710-LFZ; Legrand: ADPD4FBL3P2W4



Application: Triac dimming for two power supplies, use for Static White

Dimming: Dimmable with Triac dimmer: Lutron: Skylark S2-L



PROJECT		FIXTURE TYPE		DATE	
---------	--	--------------	--	------	--

0-10 VOLT (010) POWER SUPPLIES & RECOMMENDED DIMMERS

ORDERING CODE	PSB-25W-010-24VDC	PSB-60W-010-24VDC	PSB-96W-010-24VDC
SPECIFICATIONS			
MAXIMUM LOAD	25W	60W	96W
INPUT VOLTAGE	120-277VAC	120-277VAC	120-277VAC
OUTPUT VOLTAGE	24VDC	24VDC	24VDC
DIMENSIONS	12.4" X 3.12" X 2.18"	12.4" X 3.12" X 2.18"	12.4" X 3.12" X 2.18"
CLASSIFICATION	CLASS 2	CLASS 2	CLASS 2
T-BAR MOUNTING	PSB-25W-010-24VDC-TB	PSB-60W-010-24VDC-TB	PSB-96W-010-24VDC-TB
IN-WALL MOUNTING	PSB-25W-010-24VDC-IW	PSB-60W-010-24VDC-IW	PSB-96W-010-24VDC-IW

0-10 VOLT (010) POWER SUPPLIES & RECOMMENDED DIMMERS

ORDERING CODE	PSB-2X96W-010-24VDC	PSB-3X96W-010-24VDC	PSB-4X96W-010-24VDC
SPECIFICATION			
MAXIMUM LOAD	2X96W	3X96W	4X96W
INPUT VOLTAGE	120-277VAC	120-277VAC	120-277VAC
OUTPUT VOLTAGE	24VDC	24VDC	24VDC
DIMENSIONS	12.15" X 6.48" X 2.18"	14" X 10" X 3"	17" X 13" X 3"
CLASSIFICATION	CLASS 2	CLASS 2	CLASS 2
T-BAR MOUNTING	PSB-2X96W-010-24VDC-TB	PSB-3X96W-010-24VDC-TB	PSB-4X96W-010-24VDC-TB
IN-WALL MOUNTING	PSB-2X96W-010-24VDC-IW	N/A	N/A

DIMMING & CONTROLS

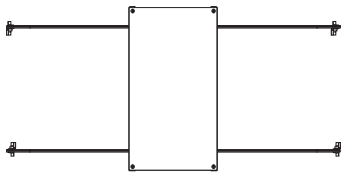
PHILIPS SUNRISE: SR1200ZTUNV	•	•	•
LUTRON DIVA: DVTV-WH, DVSTV-WH	•	•	•
LUTRON NOVA T: NTSTV-DV-XX	•	•	•
LUTRON GRAFIX EYE QS: QSGRJ-XP	•	•	•
LUTRON RADIO RA2: RRD-10ND	•	•	•
LEVITON: LEV40050	•	•	•
LEVITON IP710-LFZ	•	•	•
LEGRAND: ADPD4FBL3P2W4	•	•	•

- Flicker free dimming
- Aluminum casing for optimal heat dissipation
- Isolated output power per NEC and UL safety requirements
- UL & ETL recognized/ listed, meets UL 8750, 1310 requirements

- Auto-reset; short circuit, overload and thermal protection
- Class 2 power supply
- Efficient, High power factor > 90

*Title 24 compliant when used with JAB listed PureEdge systems.

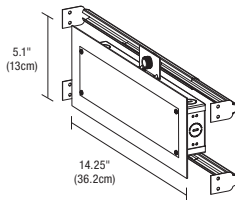
**Up + Down Light fixtures and Systems can be controlled individually or together depending on the power supply selection.



T-BAR Mounting Kit: Includes power supply, box cover, and T-bar hangers for installing Junction Box above ceiling with in easy reach. Comes with 4' of 14 gauge pair Teflon cables with quick secure connectors.

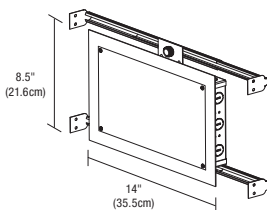
Ordering Codes:

- PSB-25W-010-24VDC-TB,
- PSB-60W-010-24VDC-TB,
- PSB-96W-010-24VDC-TB,
- PSB-2X96W-010-24VDC-TB
- PSB-3X96W-010-24VDC-TB
- PSB-4X96W-010-24VDC-TB



5.1" x 14.25" In-Wall Mounting Kit: Includes power supply, box cover and stud hangers for installing Junction Box in wall. Select "IW" in the options section of compatible power supply ordering codes if an In-Wall Mounting Kit is needed.

Ordering Codes: PSB-25W-010-24VDC-IW, PSB-60W-010-24VDC-IW, PSB-96W-010-24VDC-IW



8.5" x 14" In-Wall Mounting Kit: Includes power supply, box cover and stud hangers for installing Junction Box in wall. Select "IW" in the options section of compatible power supply ordering codes if an In-Wall Mounting Kit is needed.

Ordering Codes: PSB-2X96W-010-24VDC-IW

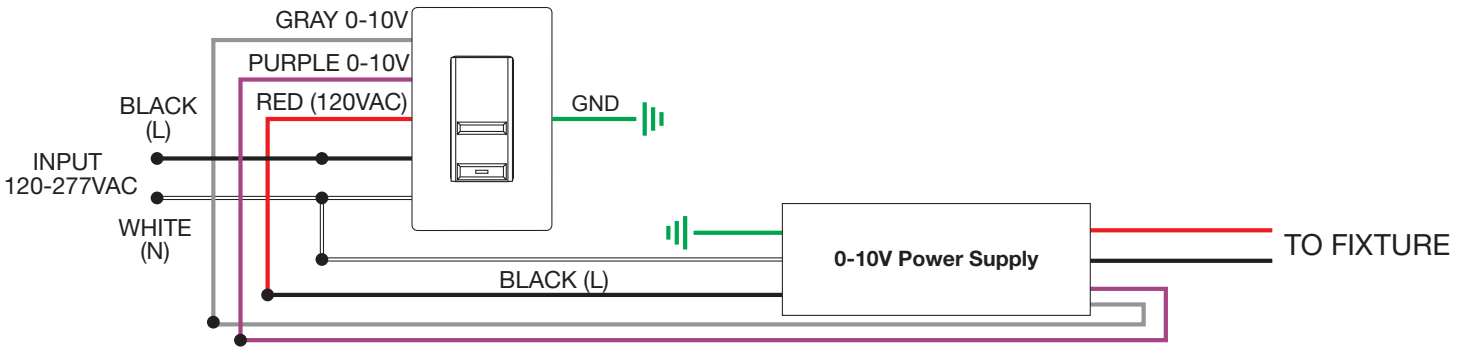
PROJECT	FIXTURE TYPE	DATE
---------	--------------	------

SAMPLE WIRING DIAGRAMS 24VDC 010

Application: 0-10V Dimming Applications For Static White and Warm Dim

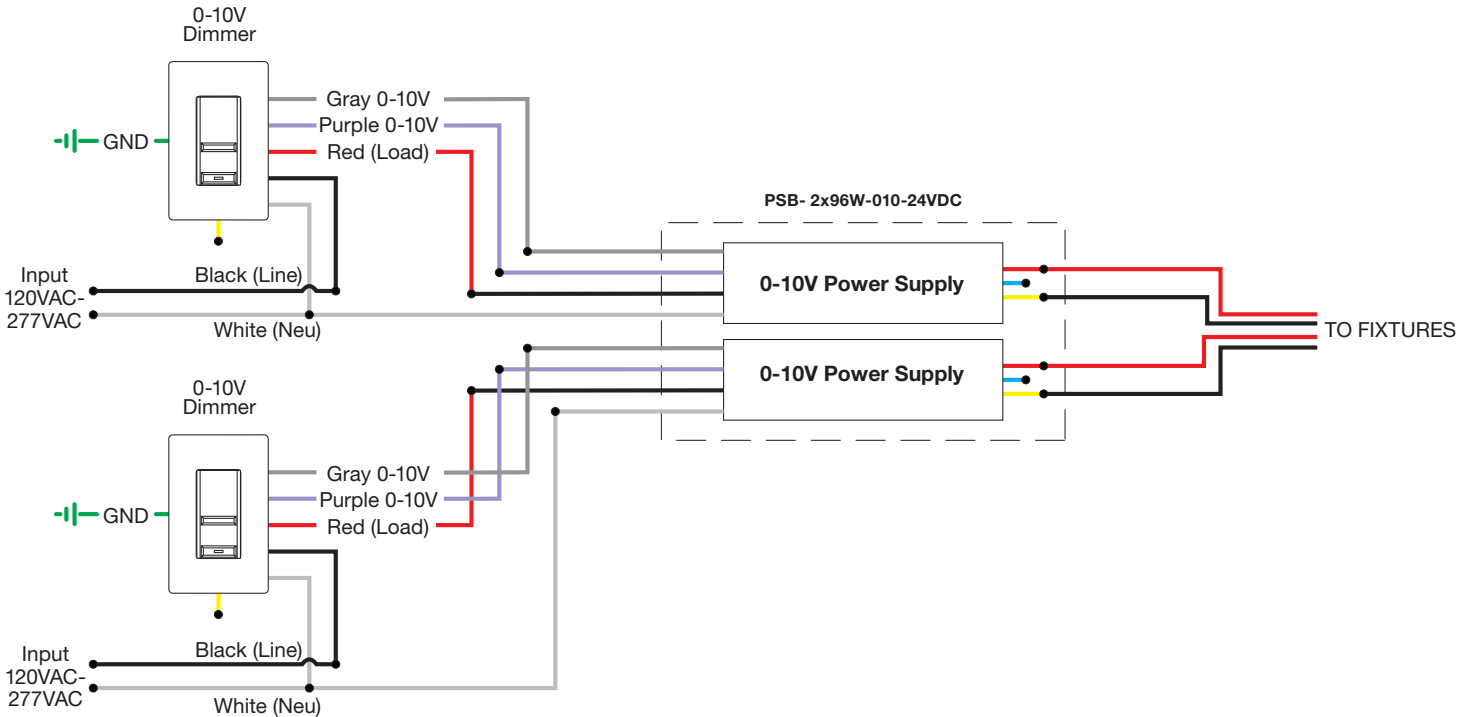
Dimming: Dimmable with 0-10V dimmers: Signify (Phillips) Sunrise: SR1200ZTUNV, Leviton Dimmers: LEV40050, IP710-LFZ, *IP710-DLZ *(Built in LED locator light) Legrand Dimmer: ADPD4FBL3P2W4 Lutron Systems: Lutron GRAFIX Eye QS Main Unit (with DRX-TVI) Radio Ra2 (with GRX-TVI)

0-10V DIMMER



Application: Dual 0-10V dimming for Static White

Dimming: Dimmable with Dual 0-10V dimmers: Signify (Phillips) Sunrise: SR1200ZTUNV, Leviton Dimmers: LEV40050, IP710-LFZ, *IP710-DLZ *(Built in LED locator light), Legrand Dimmer: ADPD4FBL3P2W4, Lutron Systems: Lutron GRAFIX Eye QS Main Unit (with DRX-TVI) Radio Ra2 (with GRX-TVI)



PROJECT		FIXTURE TYPE		DATE	
---------	--	--------------	--	------	--

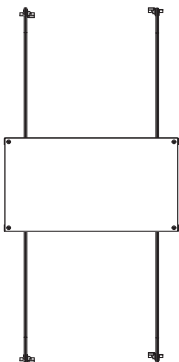
ELECTRONIC LOW-VOLTAGE (ELV) POWER SUPPLIES & RECOMMENDED DIMMERS ^{†‡}				
ORDERING CODES	PS-60L-ELV-24VDC 	PSB-60W-ELV-24VDC 	PSB-2X60W-ELV-24VDC 	PSB-100W-ELV-24VDC
SPECIFICATIONS				
MAXIMUM LOAD	60W NON-IC, 50W-IC (FITS IN JBOX)	60W	2X60W	96W
INPUT VOLTAGE	120VAC	120VAC	120VAC	120VAC
OUTPUT VOLTAGE	24VDC	24VDC	24VDC	24VDC
DIMENSIONS	2.25" X 1.25" X 0.83"	8.125" X 2" X 1.75"	12.15" X 6.48" X 2.18"	9.25" X 3.5" X 2"
CLASSIFICATION	CLASS 2	CLASS 2	CLASS 2	CLASS 2
T-BAR MOUNTING	N/A	PSB-60W-ELV-24VDC-TB	PSB-2X60W-ELV-24VDC-TB	PSB-100W-ELV-24VDC-TB
IN WALL MOUNTING	N/A	PSB-60W-ELV-24VDC-IW	PSB-2X60W-ELV-24VDC-IW	PSB-100W-ELV-24VDC-IW
ELECTRONIC LOW-VOLTAGE (ELV) POWER SUPPLIES & RECOMMENDED DIMMERS ^{†‡}				
ORDERING CODES	PSB-2X100W-ELV-24VDC 	PSB-3X100W-ELV-24VDC 	PSB-4X100W-ELV-24VDC 	
SPECIFICATIONS				
MAXIMUM LOAD	2X96W	3X96W	4X96W	
INPUT VOLTAGE	120VAC	120VAC	120VAC	
OUTPUT VOLTAGE	24VDC	24VDC	24VDC	
DIMENSIONS	12.15" X 6.48" X 2.18"	14" X 10" X 3"	17" X 13" X 3"	
CLASSIFICATION	CLASS 2	CLASS 2	CLASS 2	
T-BAR MOUNTING	PSB-2X100W-ELV-24VDC-TB	PSB-3X100W-ELV-24VDC-TB	PSB-4X100W-ELV-24VDC-TB	
IN WALL MOUNTING	PSB-2X100W-ELV-24VDC-IW	N/A	N/A	
DIMMING AND CONTROLS				
LUTRON DIVA: DVELV-300P	•	•	•	
LUTRON SKYLARK: SELV-300P	•	•	•	
LUTRON RADIO RA2: RRD-6NA	•	•	•	
LUTRON MAESTRO: MAELV-600	•	•	•	
LEGRAND ADORNE: ADTP-703TUM4	•	•	•	

[†]22K - 57K color temperatures are compatible with 0-10V, ELV, and Lutron Hi-Lume® Power Supplies. Warm Dim (27D, 30D) color temperatures are only compatible with ELV power supplies. Tunable White color temperature is compatible with 0-10V, ELV, DMX, and Lutron Hi-Lume® Power Supplies. Color (RGB, RGB+W) and Static Color (Amber, Blue, Green, or Red) are compatible with DMX Power Supplies.

[‡]Electrical Panels using Siemens/Murray AFCI breakers are not compatible with this ELV transformer. Use 0-10 Volt power supplies with this breaker

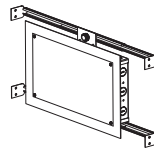
With N-Lite Dimming Do Not use ELV power supplies, use only 0-10 volt or Uni drivers power supplies

**Up + Down Light fixtures and Systems can be controlled individually or together depending on the power supply selection.



T-Bar Mounting Kit: Includes power supply, box cover, and T-bar hangers for installing Junction Box above ceiling with in easy reach. Comes with 4' of 14 gauge pair Teflon cables with quick secure connectors.

Ordering Codes : PSB-60W-ELV-24VDC-TB
PSB-100W-ELV-24VDC-TB
PSB-2X60W-ELV-24VDC-TB
PSB-2X100W-ELV-24VDC-TB
PSB-3X100W-ELV-24VDC-TB
PSB-4X100W-ELV-24VDC-TB



In-Wall Mounting Kit: Includes power supply, box cover and stud hangers for installing Junction Box in wall. Select "IW" in the options section of compatible power supply ordering codes if an In-Wall Mounting Kit is needed.

Ordering Codes 5.1" x 14.25": PSB-60W-ELV-24VDC-IW
PSB-100W-ELV-24VDC-IW

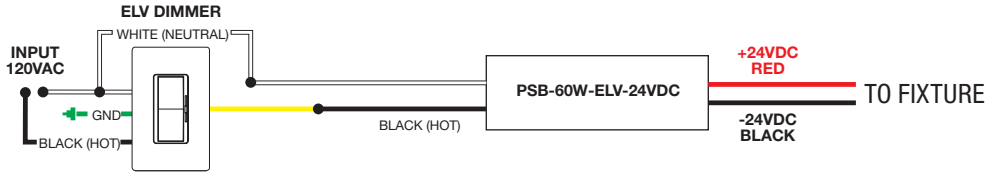
Ordering Codes 8.5" x 14.25": PSB-2X60W-ELV-24VDC-IW
PSB-2X100W-ELV-24VDC-IW

PROJECT		FIXTURE TYPE		DATE	
---------	--	--------------	--	------	--

SAMPLE WIRING DIAGRAMS 24VDC ELV

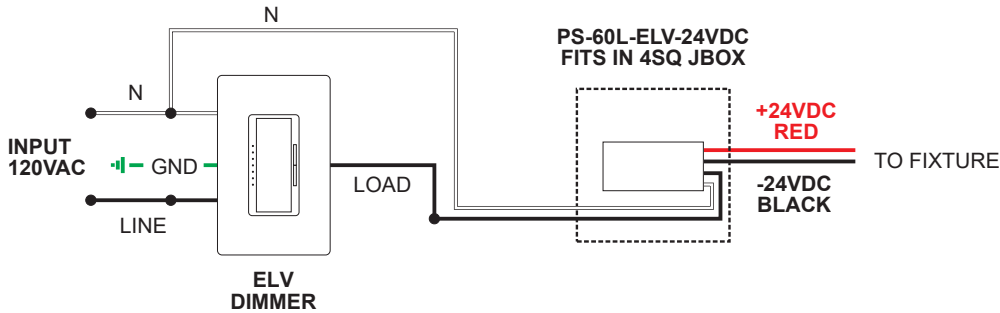
Application: ELV dimming for Static White

Dimming: Dimmable with ELV dimmer: Legrand, Adorne ADTP703TU; Lutron: Diva DVELV-300P, Skylark SELV-300P, Maestro MAELV-600 and Radio Ra 2



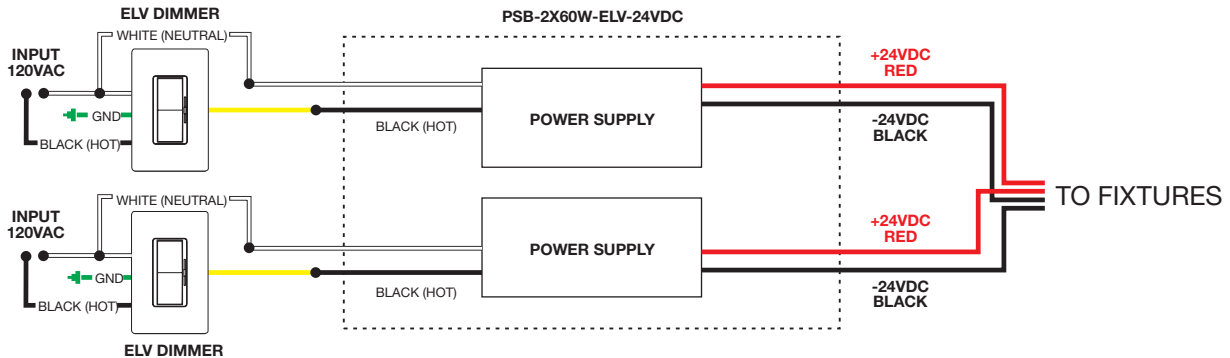
Application: ELV dimming for Static White

Dimming: Dimmable with ELV dimmer: Legrand, Adorne ADTP703TU; Lutron: Diva DVELV-300P, Skylark SELV-300P, Maestro MAELV-600 and Radio Ra 2



Application: Dual ELV dimming for Static White

Dimming: Dimmable with ELV dimmer: Legrand, Adorne ADTP703TU; Lutron: Diva DVELV-300P, Skylark SELV-300P, Maestro MAELV-600 and Radio Ra 2



PROJECT	FIXTURE TYPE	DATE
---------	--------------	------

PSB- X100W-24VDC

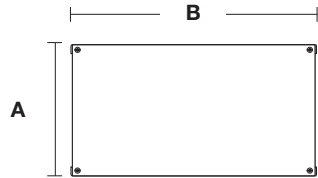
24 VOLT DC, NON-DIMMING POWER SUPPLY

DESIGNED BY GREGORY KAY | ASSEMBLED IN AMERICA

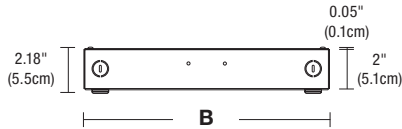
REV 09.15.21



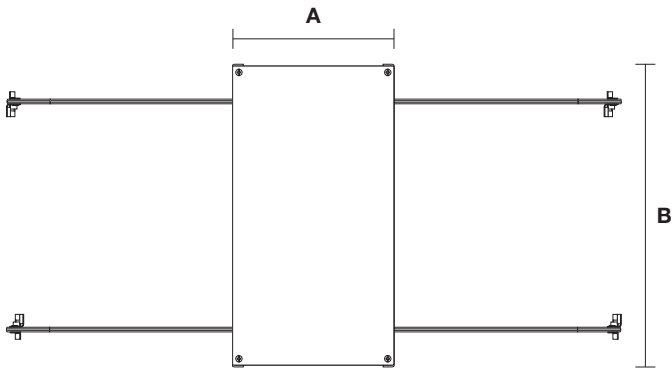
PSB-2X100W-24VDC



TOP VIEW



SIDE VIEW



PSB-100W-24VDC-TB
(T-BAR GRID CEILING)

DESCRIPTION

Non-Dim Power Supply accepts input voltage in a range of 120 - 277VAC and outputs 24VDC power up to 4x100 watts. The enclosure provides a space inside for electrical connections. In-Wall Power Supply Kit includes power supply, box cover and stud hangers for installing Junction Box in wall. Power Supply features short circuit and overload and over temperature protection. Indoor applications only.

APPLICATIONS

Indoor*
To avoid overheating the power supply, install it in a ventilated remote location where air flows. Maintain proper spacing among power supplies when multiple power supplies are installed in the same remote location.

MOUNTING

Surface mounted with conduit access

POWER INPUT

120-277VAC

POWER OUTPUT

Class 2; 24 volts DC 4A, up to 4x100 watts maximum

EFFICIENCY

90%

AMBIENT OPERATING TEMPERATURE

-25° C to 90° C

COMPLIANCE

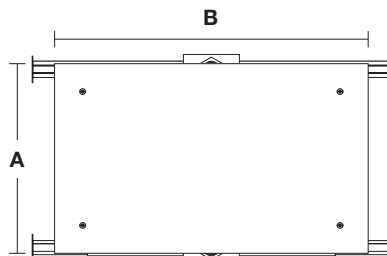
Made in the USA, UL, CE, Title 28, Plenum for use in Accordance with UL 2043.
*Title 24 with JA8 listed PureEdge products and systems

Product	Wattage	Voltage	Options
PSB PSB Power Supply with Enclosure Box	100W 100W 100 Watts 2X100W 2 x 100 Watts 3X100W 3 x 100 Watts 4X100W 4 x 100 Watts	24VDC 24VDC 24 Volt DC	STANDARD (Leave Blank) TB T-Bar Grid Ceiling IW* In-Wall Kit *Only 100W & 2x100W

STANDARD & T-BAR DIMENSIONS		
	A	B
PSB-100W-24VDC	3.12"	12.4"
PSB-2X100W-24VDC	6.48"	12.15"
PSB-3X100W-24VDC	10"	14"
PSB-4X100W-24VDC	13"	17"



PSB-100W-24VDC-IW



PSB-100W-24VDC-IW (IN WALL KIT)

IN-WALL DIMENSIONS		
	A	B
PSB-100W-24VDC-IW	5.1"	14.25"
PSB-2X100W-24VDC-IW	8.5"	14.25"

PROJECT		FIXTURE TYPE		DATE	
---------	--	--------------	--	------	--

INDOOR TUNABLE WHITE 0-10V 96 WATT LED POWER SUPPLY

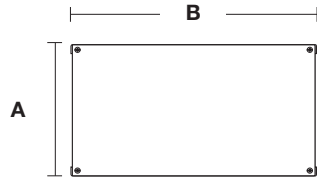
24VDC INDOOR CONSTANT VOLTAGE, TWO CHANNEL CONTROLS, FOR INTENSITY AND COLOR TEMPERATURE

DESIGNED BY GREGORY KAY | ASSEMBLED IN AMERICA

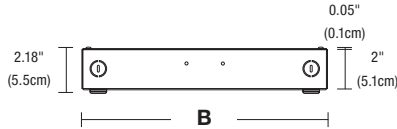
REV 09.15.21



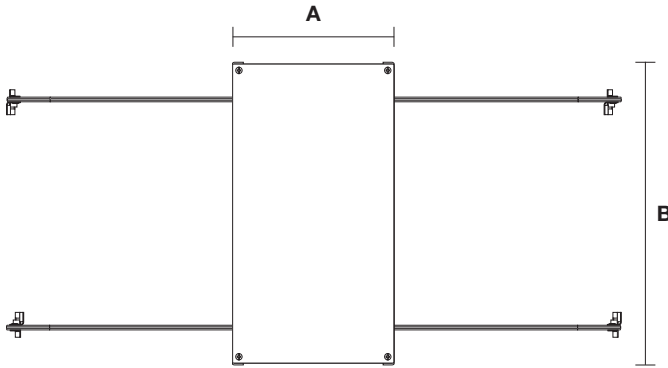
PSB-96W-010-24VDC-2XK



TOP VIEW



SIDE VIEW



PSB-96W-010-24VDC-2XK-TB
(T-BAR GRID CEILING)

STANDARD & T-BAR DIMENSIONS		
	A	B
PSB-96W-010-24VDC-2XK	6.48"	12.15"
PSB-2X96W-010-24VDC-2XK	10"	14"
PSB-3X96W-010-24VDC-2XK	13"	17"
PSB-4X96W-010-24VDC-2XK	13"	17"

DESCRIPTION

Accepts input voltage in a range of 120 - 277VAC and outputs 24VDC power up to 96 watts. The low voltage output dims down to 1% when two additional wires are connected to a 0-10V dimmer. The enclosure provides a space inside for electrical connections. In-Wall Power Supply Kit includes power supply, box cover and stud hangers. T-Bar Mounting Kit includes power supply, box cover, and T-bar hangers for installing Junction Box above ceiling with in easy reach. Comes with 4' of 14 gauge pair Teflon cables with quick secure connectors. Power Supply features short circuit, overload and over temperature protection.

APPLICATIONS

Indoor, Damp Location

MOUNTING

Surface mounted with conduit access

POWER INPUT

120-277VAC

POWER OUTPUT

Class 2; 24 volts DC 4A, up to 96 watts maximum

EFFICIENCY

90%

AMBIENT OPERATING TEMPERATURE

-25° C to 40° C

DIMMING

#1 Controls the intensity. #2 Controls the Color Temperature.
0-10V (dimmer needs to be capable to dim to 0% without ON/OFF switch)

DIMMING CURVE

Linear, Logarithmic 100% - 0% (HydraDrive)

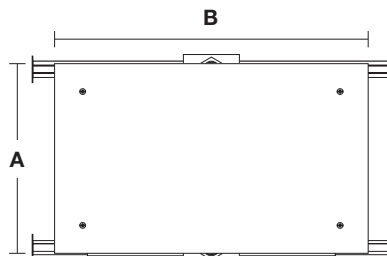
COMPLIANCE

Made in the USA, UL, CE, Title 28, Plenum for use in Accordance with UL 2043.
*Title 24 with JA8 listed PureEdge products and systems

Product	Wattage	Dimming	Voltage	Color Temperature	Options
PSB	96W	010	24VDC	2XK	STANDARD (Leave Blank)
PSB Power Supply with Enclosure Box with Tunable White 0-10V Controller	96W 96 Watts 2X96W 2x96 Watts 3X96W 3x96 Watts 4X96W 4x96 Watts	010 0-10 Volt Dimming	24VDC 24 Volt DC	2XK Tunable White	TB T-Bar Grid Ceiling IW* In-Wall Kit *96 watts only



PSB-96W-010-24VDC-2XK-IW



PSB-96W-010-24VDC-2XK-IW (IN WALL KIT)

IN-WALL DIMENSIONS		
	A	B
PSB-96W-010-24VDC-2XK-IW	8.5"	14.25"

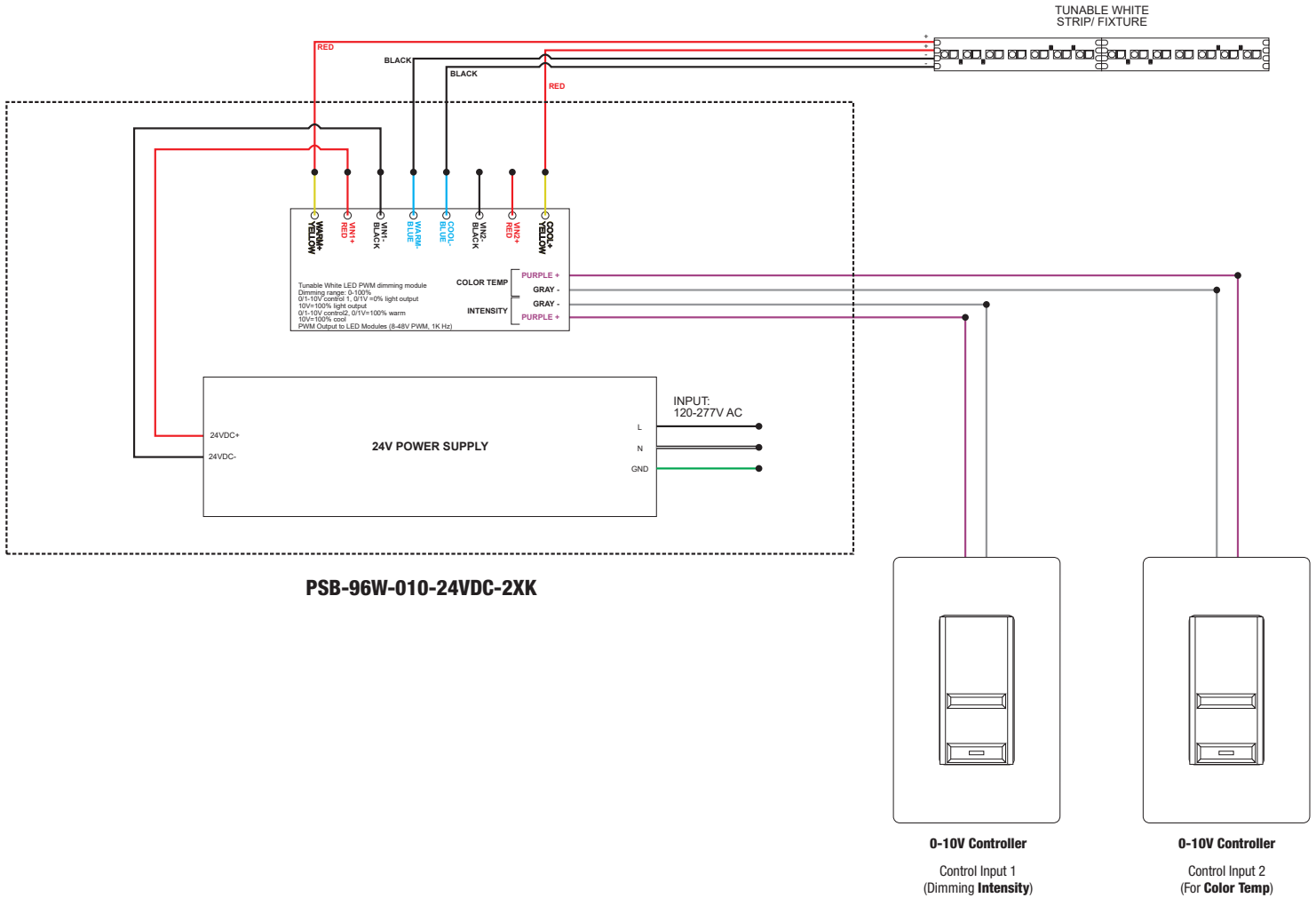
PROJECT		FIXTURE TYPE		DATE	
---------	--	--------------	--	------	--

INDOOR TUNABLE WHITE 0-10V 96 WATT LED POWER SUPPLY

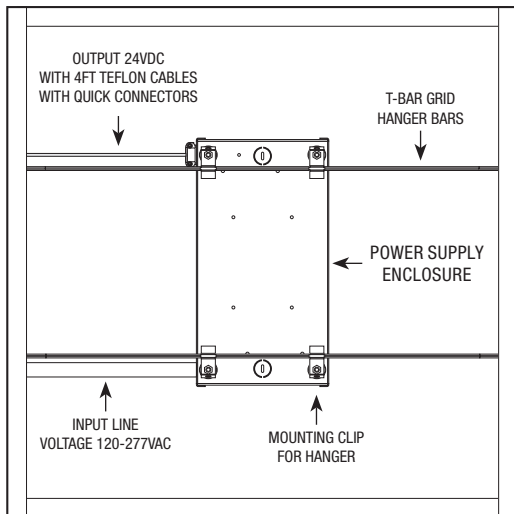
24VDC INDOOR CONSTANT VOLTAGE, TWO CHANNEL CONTROLS, FOR INTENSITY AND COLOR TEMPERATURE

REV 09.15.21

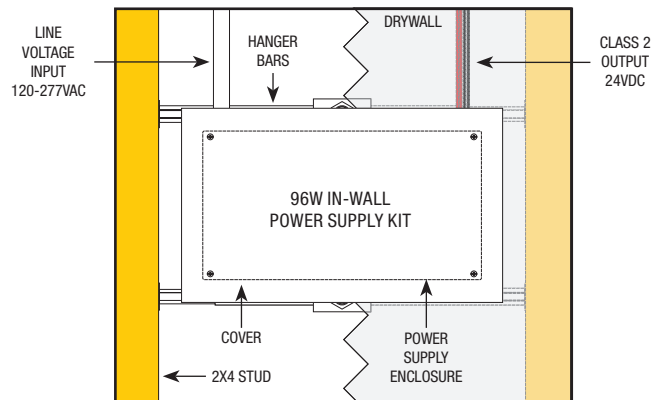
Application: 0-10V dimming for Tunable White LED Strip/Fixture



T-BAR GRID CEILING



IN WALL KIT



PROJECT		FIXTURE TYPE		DATE	
---------	--	--------------	--	------	--

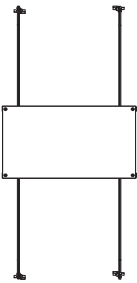
INDOOR DMX RGB/RGBW 24VDC CONSTANT VOLTAGE

24VDC WITH DMX DRIVER, RGB & RGB+W

COLOR CHANGING (DMX) POWER SUPPLIES & RECOMMENDED CONTROLLERS

ORDERING CODE	PSB-100W-24VDC-RGB	PSB-2X100W-24VDC-RGB	PSB-3X100W-24VDC-RGB	PSB-4X100W-24VDC-RGB
SPECIFICATIONS				
MAXIMUM LOAD	100W	2X100W	3X100W	4X100W
INPUT VOLTAGE	120-277VAC	120-277VAC	120-277VAC	120-277VAC
OUTPUT VOLTAGE	24VDC	24VDC	24VDC	24VDC
DIMENSIONS	12.14" X 6.48" X 2.18"	14" X 10" X 3"	17" X 13" X 3"	17" X 13" X 3"
CLASSIFICATION	CLASS 2	CLASS 2	CLASS 2	CLASS 2
T-BAR MOUNTING	PSB-100W-24VDC-RGB-TB	PSB-2X100W-24VDC-RGB-TB	PSB-3X100W-24VDC-RGB-TB	PSB-4X100W-24VDC-RGB-TB
IN-WALL MOUNTING	PSB-100W-24VDC-RGB-IW	N/A	N/A	N/A
DIMMING & CONTROLS				
TOUCH SCREEN CONTROLLER (CTP)	•	•	•	•
COLOR DIAL CONTROLLER (CDP)	•	•	•	•
DMX 1 ZONE RGBW TOUCH CONTROLLER (CDMX1-RGBW)	•	•	•	•

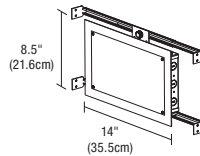
RECOMMENDED CONTROLLERS



T-BAR MOUNTING KIT

Includes power supply, box cover, and T-bar hangers for installing Junction Box above ceiling with in easy reach. Comes with 4' of 14 gauge pair Teflon cables with quick secure connectors.

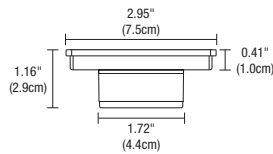
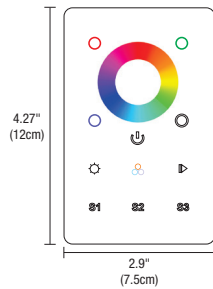
ORDERING CODES: PSB-100W-24VDC-RGB-TB
PSB-2X100W-24VDC-RGB-TB
PSB-3X100W-24VDC-RGB-TB
PSB-4X100W-24VDC-RGB-TB



8.5" X 14" IN-WALL MOUNTING KIT

Includes Power Supply, Box Cover, and Stud Hangers for installing Junction Box in wall. Use ordering code in the In-Wall Mounting row of the specification table if an In-Wall Mounting Kit is needed.

ORDERING CODES: PSB-100W-24VDC-RGB-IW



DESCRIPTION

Full touch controller offers fast and accurate color tone adjustment and independent brightness control. The 1 zone controller can adjust RGB & RGBW LEDs smoothly and accurately. Independent smooth dimming of each channel enables the controller to achieve millions of colors. For indoor applications only, and includes a Power Adapter to operate the controller.

APPLICATIONS

Indoor

POWER INPUT

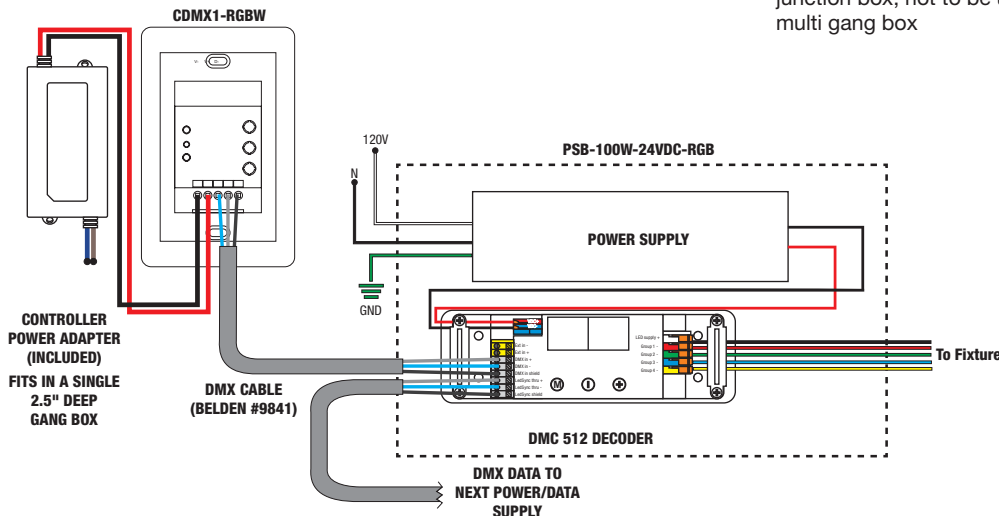
120-277VAC

INSTALLATION

Fits in a single gang 2.5 inch deep junction box, not to be used with a multi gang box

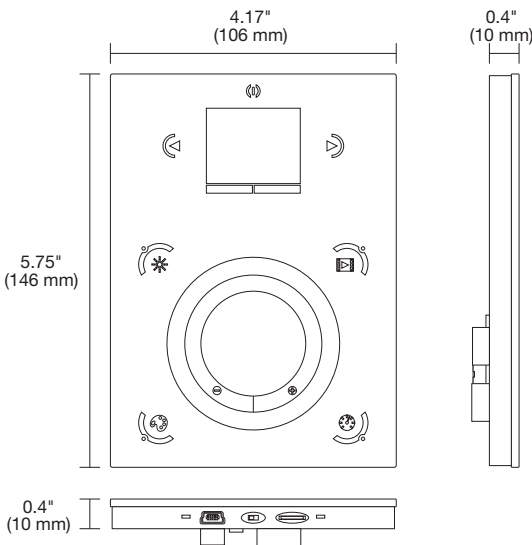
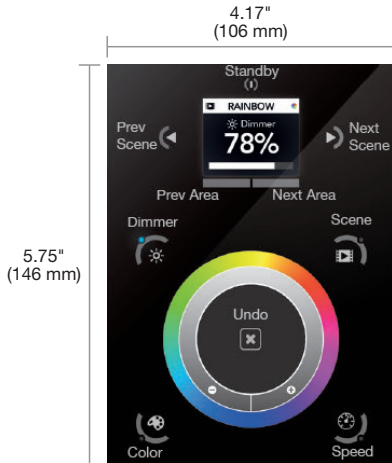
OUTPUT SIGNAL

USITT DMX 512 (1990)



Product	Type	Finish
CDMX1	RGBW	WH
CDMX1 DMX 1 Zone Touch Controller	RGBW RGB & RGBW	WH White

PROJECT	FIXTURE TYPE	DATE



DESCRIPTION

Full touch controller offers fast and accurate color tone adjustment and independent brightness control. The 10 zone controller can adjust RGB and RGBW LEDs smoothly and accurately. Independent smooth dimming of each channel enables the controller to achieve millions of colors. For indoor applications only, and includes a Power Adapter to operate the controller.

FEATURES AND BENEFITS

KEY FEATURES:

- Sleek glass design which sits 11mm from the wall
- Graphical color display to show selected environment
- Color/dimmer/speed palette
- Color temperature mixing
- Touch sensitive buttons. No mechanical parts
- Touch sensitive wheel allows for accurate color selection
- Multi-zone microSD memory
- Multi-room control with 500 scenes, 10 zones
- 1024 DMX channels. Control 340 RGB fixtures
- USB & Ethernet connectivity for programming and control
- RS232, Dry Contact Ports and an Infra Red input port
- Clock and calendar with Sunrise/Sunset triggering
- Network communication. Control lighting remotely
- Catalog of designs including black and white glass
- OEM customization of the color palette and logo
- Windows/Mac software to set dynamic colors/effects
- iPhone/iPad/Android remote and programming apps

APPLICATIONS

Indoor

POWER ADAPTER

9VDC 0.65A (included)

POWER INPUT

7VDC 0.6A

OUTPUT SIGNAL

DMX512 1,024 channels total

INPUT SIGNAL

Universal IR receiver (Sold Separately), RS232, Contact Closure, Live Computer Link, DMX512, WiFi

CONNECTIONS

USB, Ethernet, RS232, Clock, 8 dry contact ports, open drain output

MEMORY

microSD (32GB Max)

COMPUTER AND MOBILE DEVICE REQUIREMENTS

IPHONE/IPAD/ANDROID:

The controller may be used with any of the following apps: DMX Lightpad 3, Easy Remote and Arcolis may be downloaded from App Store or Google Play.

ESA PRO SOFTWARE (WINDOWS ONLY, TIMELINE AND MULTI-ZONE):

Windows ME, XP, Vista, 7 or 8 (32 bits and US 2.0, computer connection required for initial setup only.)

ESA2 SOFTWARE (WINDOWS/MAC, SINGLE ZONE):

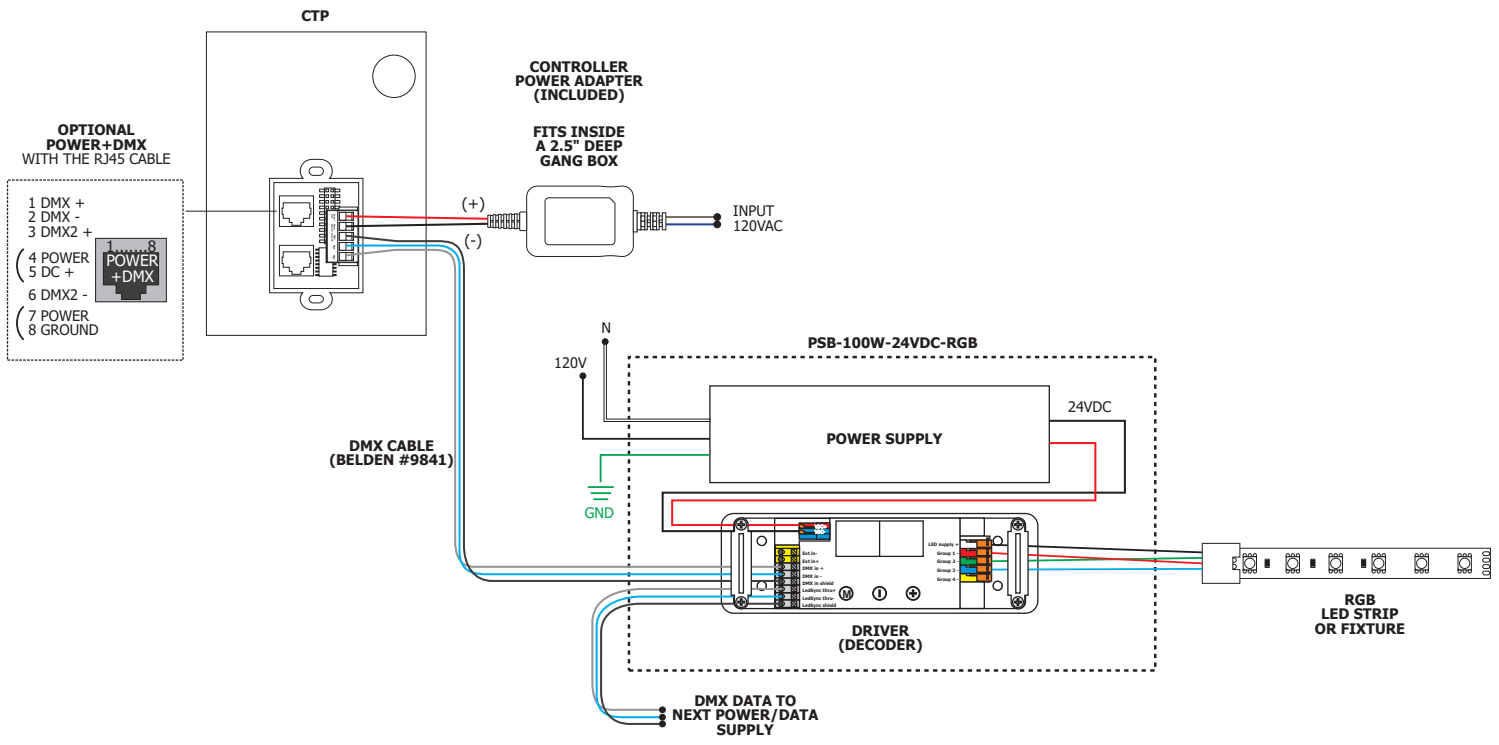
Windows ME, XP, Vista, 7 or 8

Mac OS X 10.7 (Lion), 10.8 (Mountain lion), 10.9 (Mavericks), 10.10 (Yosemite)

Product	Finish
CTP	BK
CTP Color Touch Screen Controller with Power Adapter	BK Black WH White




PROJECT	FIXTURE TYPE	DATE	
---------	--------------	------	--

RGB Wiring Diagram



PROJECT		FIXTURE TYPE		DATE	
---------	--	--------------	--	------	--

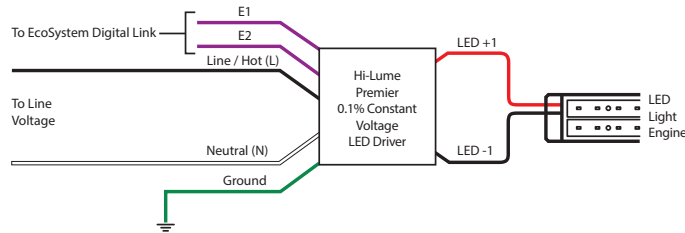
LUTRON HI-LUME® PREMIER .1% ECOSYSTEM®†

ORDERING CODES	L3D0-96W24V-U	2-WIRE ECOSYSTEM LTEA4U1UKL-CV240	3-WIRE ECOSYSTEM L3DA4U1UKL-CV240
			
SPECIFICATIONS			
MAXIMUM LOAD	96W	5W-40W	5W-40W
INPUT VOLTAGE	120-277VAC	120-277VAC	120-277VAC
OUTPUT VOLTAGE	24VDC	24VDC	24VDC
DIMENSIONS	10.5" X 5.5" X 2"	4" X 4.89" X 2.62"	4" X 4.89" X 2.62"
CLASSIFICATION	CLASS 2	CLASS 2	CLASS 2
T-BAR MOUNTING	L3D0-96W24V-U-TB	NA	NA
DIMMING AND CONTROLS			
RADIO RA2	•	•	•
HOMEWORKS QS	•	•	•
PHPM-3F-120	•	•	•
PHPM-3F-DV	•	•	•
BCI-0-10	•	•	•

†22K - 57K color temperatures are compatible with 0-10V, ELV, and Lutron Hi-lume® Power Supplies.

*Title 24 compliant when used with JA8 listed PureEdge systems.

**WIRING DIAGRAM FOR
LTEA4U1UKL-CV240 OR L3D0-96W24V-U
ECOSYSTEM DIGITAL LINK**



**COMPATIBLE DIMMERS FOR
LTEA4U1UKL-CV240 OR L3D0-96W24V-U
ECOSYSTEM DIGITAL LINK**

Product	Model Number		Drivers Per Control	Recommended System Version ²
	120V	277V		
PowPak Dimming Module with EcoSystem	RMJ-ECO32-DV-B URMJ-ECO32-DVB		32 Per EcoSystem link	5.9 or Higher
PowPak Wireless Fixture Control with EcoSystem¹	FJC-ECO FJCS-ECO		3 Per EcoSystem link	0796554 or Higher
Energi Savr Node unit with EcoSystem	QSN-1ECO-S, QSN-2ECO-S, QSN-2ECO-PS120, UQSN-1ECO-S, UQSN-2ECO-S,		64 Per EcoSystem link	9.027 or Higher
GRAFIK Eye QS unit with EcoSystem	QSGRJ-_E- QSGR-_E-	-	64 Per EcoSystem link	9.009 or Higher
Quantum Light Management Hub	AYF-103P-	-	64 Per EcoSystem link	3.2 or Higher ³
Homeworks QS with EcoSystem	LQSE-2ECO-D- QSGRJ-_E- QSGR-_E-	-	64 Per EcoSystem link	10 or Higher ⁴

1: All devices connected to one PowPak Wireless Fixture Control will be controlled together. Devices will dim to the same level as the result of a control command. The wireless fixture control will need to have it's low end level reprogrammed to dim to 0.1% output. For more details on adjusting low end light level refer to Application Note #556 at www.Lutron.com

2: For lower system versions please visit www.Lutron.com/LEDsystemcheck to check if your system requires changes

3: Version 3.1 (or later) is required to dim lower than 1%

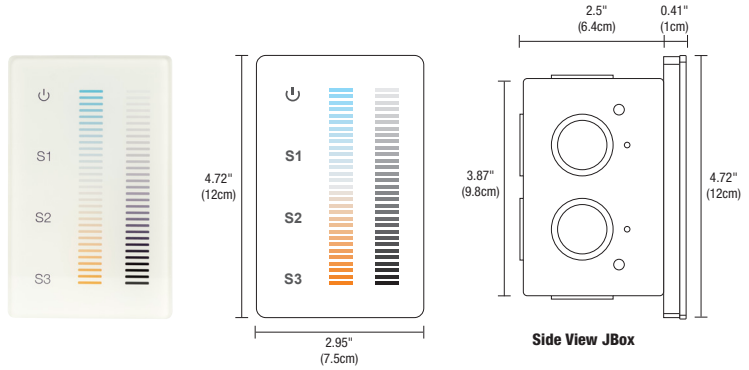
4: Version 7.0 (or later) is required to dim lower than 1%

PROJECT		FIXTURE TYPE		DATE	
---------	--	--------------	--	------	--

TUNABLE WHITE DMX CONTROLLER AND POWER SUPPLIES

24VDC INDOOR CONSTANT VOLTAGE POWER SUPPLIES WITH DRIVERS

REV 09.15.21



DESCRIPTION:

The Tunable White Touch Controller offers fast and accurate Color Temperature adjustment and the ability to regulate the Brightness Independently. The modern Glass faceplate features illuminated indicators, and a back-lit night light that softly illuminates the controller when powered off. Designed for Tunable White, and dual-color LED installations within a single zone. The two Vertical Touch sliders are precise and sensitive, allowing you to fine-tune your perfect Color Temperature at any point between **2000K** (Sunset) to **6500K** (Daylight White) while selecting over 250 levels of Brightness in a smooth, uninterrupted transition. Create Thousands of White Color Combinations while maintaining even Brightness and overall saturation. Easily save three pre-set scenes for different times of the day. Support health, performance, and general well-being using Human-Centric lighting by fine-tuning the biological effects that light has on the circadian cycle using the latest in LED technology. Includes a power adapter that fits behind the controller within a standard junction box and fits inside a standard single-gang receptacle (not for use in a multi-gang box). Use with an insulated, 24 AWG stranded, tinned copper wire (Belden #9841). Power Supplies are Sold Separately. Includes a 5 year pro-rated warranty.

APPLICATIONS:

Indoor

OUTPUT SIGNAL:

USITT DMX 512 (1990)

INSTALLATION:

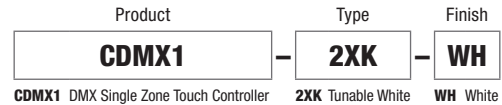
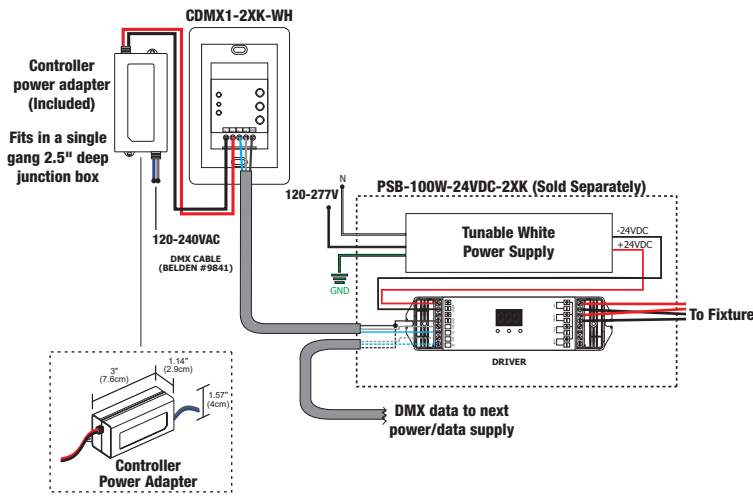
Fits in a single gang 2.5" deep junction box. Not compatible with multi-gang boxes.

LABELS:

ROHS, FCC, Damp Location, ETL/UL

POWER INPUT:

120-240VAC

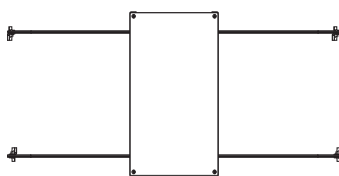


COLOR CHANGING (DMX) POWER SUPPLIES

ORDERING CODE	PSB-100W-24VDC-2XK	PSB-2X100W-24VDC-2XK	PSB-3X100W-24VDC-2XK	PSB-4X100W-24VDC-2XK
SPECIFICATIONS				
MAXIMUM LOAD OF LED STRIP LENGTH	100W 5 WATTS - 20FT MAX. 10 WATTS - 10FT MAX.	2X100W 5 WATTS 2 X 20FT MAX. 10 WATTS - 2 X 10FT MAX.	3X100W 5 WATTS 3 X 20FT MAX. 10 WATTS - 3 X 10FT MAX.	4X100W 5 WATTS 4 X 20FT MAX. 10 WATTS - 4 X 10FT MAX.
INPUT VOLTAGE	120-277VAC	120-277VAC	120-277VAC	120-277VAC
OUTPUT VOLTAGE	24VDC	24VDC	24VDC	24VDC
DIMENSIONS	12.4" X 6.48" X 2.18"	14" X 10" X 3"	17" X 10" X 3"	17" X 10" X 3"
CLASSIFICATION	CLASS 2	CLASS 2	CLASS 2	CLASS 2
T-BAR MOUNTING	PSB-100W-24VDC-2XK-TB	PSB-2X100W-24VDC-2XK-TB	PSB-3X100W-24VDC-2XK-TB	PSB-4X100W-24VDC-2XK-TB
IN-WALL MOUNTING	PSB-100W-24VDC-2XK-IW	NA	NA	NA
DMX TUNABLE WHITE DIMMING & CONTROLS				
TUNABLE WHITE TOUCH CONTROLLER (CDMX1-2XK)	•	•	•	•

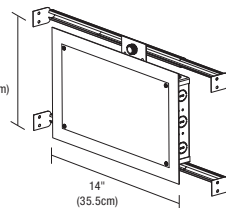
- Flicker free dimming
- Aluminum casing for optimal heat dissipation
- Isolated output power per NEC and UL safety requirements
- UL & ETL recognized/ listed, meets UL 8750, 1310 requirements

- Auto-reset; short circuit, overload and thermal protection
- Class 2 power supply
- Efficient, High power factor > 0.90



T-BAR Mounting Kit: Includes power supply, box cover, and T-bar hangers for installing Junction Box above ceiling with in easy reach. Comes with 4ft of 14 gauge pair Teflon cables with quick secure connectors.

Ordering Codes:
 PSB-100W-24VDC-2XK-TB
 PSB-2x100W-24VDC-2XK-TB
 PSB-3x100W-24VDC-2XK-TB
 PSB-4x100W-24VDC-2XK-TB



8.5" x 14" In-Wall Mounting Kit: Includes power supply, box cover and stud hangers for installing Junction Box in wall. Select "IW" in the options section of compatible power supply ordering codes if an In-Wall Mounting Kit is needed.

Ordering Codes:
 PSB-100W-24VDC-2XK-IW

PROJECT	FIXTURE TYPE	DATE
---------	--------------	------

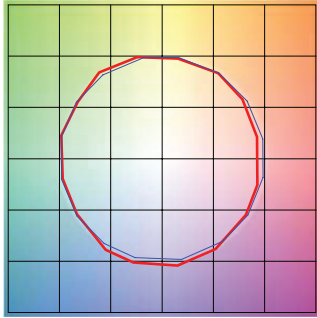
LED STRIP TM30 DATA

(2.5W, 5W & 7W) 24VDC STATIC WHITE, WARM DIM & TUNABLE WHITE

TM-30-15 DATA: The data below is for ST2A, ST5A, ST7A and ST10A bare LED Strips. Consistent color temperatures throughout a single strip and among multiple strips is possible through a 3 phase binning process in which each order is inspected with a color meter to ensure uniformity.

2200K | Rf: 90.5 | Rg: 99.9

Color Vector Graphic

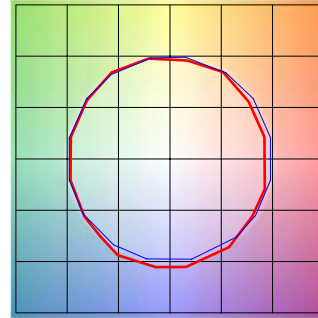


■ Test ■ Reference

GRAPHIC SHIFTS %			
HUE BIN	Rf	CHROMA	HUE
1	88.3	-5.2%	1.0%
2	90.1	-3.6%	3.7%
3	87.5	-0.5%	5.6%
4	93.9	-1.2%	1.3%
5	94.7	0.7%	2.1%
6	93.7	2.6%	0.7%
7	93.5	-1.5%	-2.2%
8	97.8	-0.4%	-0.2%
9	93.7	-1.5%	2.4%
10	90.8	-0.8%	4.9%
11	89.3	3.7%	5.4%
12	90.2	4.6%	1.0%
13	89.0	4.4%	-9.7%
14	75.4	0.6%	-15.1%
15	90.7	-1.7%	-5.0%
16	84.2	-4.4%	-9.1%

2400K | Rf: 90.2 | Rg: 99.3

Color Vector Graphic

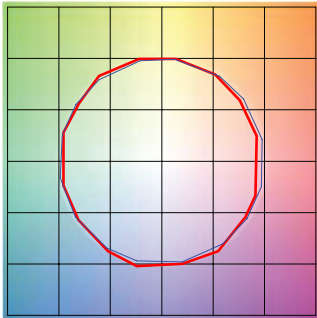


■ Test ■ Reference

GRAPHIC SHIFTS %			
HUE BIN	Rf	CHROMA	HUE
1	89.0	-4.8%	1.1%
2	90.4	-3.7%	3.2%
3	88.1	-0.7%	5.2%
4	93.0	-2.1%	0.9%
5	94.5	-0.1%	2.0%
6	94.7	1.7%	0.6%
7	93.7	-1.9%	-1.5%
8	96.8	-1.2%	0.2%
9	91.9	-1.8%	3.7%
10	88.8	-0.9%	6.1%
11	87.5	3.8%	7.1%
12	89.6	4.3%	0.3%
13	88.1	4.2%	-9.1%
14	82.5	2.8%	-10.6%
15	91.4	-2.1%	-4.2%
16	84.0	-3.6%	-9.9%

2700K | Rf: 89.5 | Rg: 98.3

Color Vector Graphic

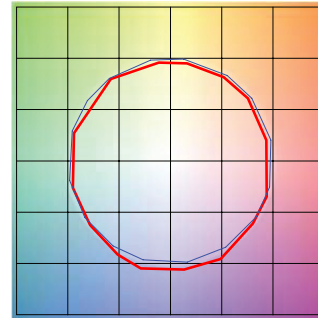


■ Test ■ Reference

GRAPHIC SHIFTS %			
HUE BIN	Rf	CHROMA	HUE
1	88.6	-5.2%	0.9%
2	90.3	-3.6%	2.9%
3	88.4	-1.5%	5.0%
4	91.9	-2.5%	1.4%
5	93.5	-0.9%	2.3%
6	95.7	0.9%	-0.4%
7	91.1	-3.7%	-0.5%
8	95.8	-2.0%	0.4%
9	90.5	-2.6%	4.5%
10	84.9	-1.1%	8.7%
11	85.0	2.3%	9.8%
12	88.1	5.5%	1.5%
13	90.9	2.9%	-5.2%
14	86.2	4.3%	-8.9%
15	90.7	-2.4%	-3.6%
16	83.0	-2.7%	-11.3%

3000K | Rf: 88.7 | Rg: 98.2

Color Vector Graphic

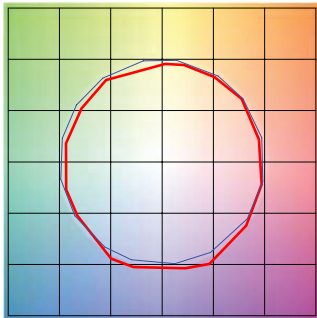


■ Test ■ Reference

GRAPHIC SHIFTS %			
HUE BIN	Rf	CHROMA	HUE
1	88.3	-5.2%	0.8%
2	90.2	-3.7%	2.7%
3	88.3	-1.6%	4.9%
4	92.2	-2.0%	1.8%
5	91.0	-3.5%	1.8%
6	95.8	0.4%	-0.4%
7	90.2	-4.4%	-0.0%
8	94.8	-2.6%	0.8%
9	89.2	-2.9%	6.0%
10	81.4	-1.5%	9.7%
11	82.9	2.3%	10.5%
12	88.3	6.7%	1.9%
13	91.9	2.8%	-4.0%
14	86.3	4.9%	-8.3%
15	87.1	-1.2%	-6.1%
16	83.2	-1.7%	-11.6%

3500K | Rf: 88.1 | Rg: 97.1

Color Vector Graphic

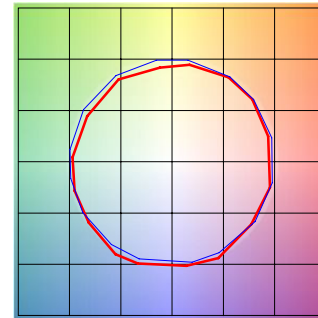


■ Test ■ Reference

GRAPHIC SHIFTS %			
HUE BIN	Rf	CHROMA	HUE
1	87.8	-5.2%	1.0%
2	90.8	-3.3%	2.3%
3	89.8	-1.6%	3.9%
4	91.0	-2.7%	0.9%
5	90.0	-5.4%	0.7%
6	95.6	-0.9%	-0.4%
7	90.0	-5.3%	1.4%
8	91.8	-3.6%	3.0%
9	87.1	-2.9%	7.3%
10	80.1	-1.3%	12.2%
11	81.8	4.1%	10.5%
12	88.2	5.1%	2.3%
13	92.4	2.1%	-3.8%
14	86.6	5.0%	-7.9%
15	86.2	-0.7%	-6.8%
16	84.5	-2.1%	-7.0%

4000K | Rf: 87.6 | Rg: 96.8 | CRI: 84

Color Vector Graphic



■ Test ■ Reference

GRAPHIC SHIFTS %			
HUE BIN	Rf	CHROMA	HUE
1	89.0	-3.1%	2.1%
2	93.2	-0.9%	1.3%
3	94.3	-1.1%	0.7%
4	89.5	-4.0%	-2.3%
5	87.6	-7.8%	-1.8%
6	92.2	-4.6%	0.1%
7	87.4	-6.6%	3.6%
8	85.7	-3.8%	7.0%
9	81.5	-1.3%	12.4%
10	80.0	0.9%	11.4%
11	83.3	5.9%	8.7%
12	89.7	4.8%	-0.3%
13	88.5	2.4%	-6.3%
14	92.7	4.0%	-3.8%
15	86.1	-1.6%	-4.5%
16	85.0	-1.4%	-5.0%

PROJECT	FIXTURE TYPE	DATE
---------	--------------	------

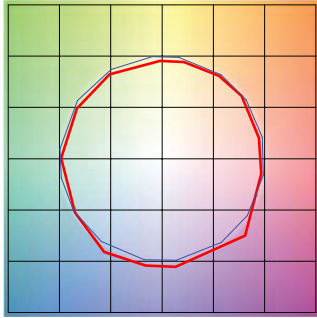
LED STRIP TM30 DATA

(2.5W, 5W & 7W) 24VDC STATIC WHITE, WARM DIM & TUNABLE WHITE

TM-30-15 DATA: The data below is for ST2A, ST5A, ST7A and ST10A bare LED Strips. Consistent color temperatures throughout a single strip and among multiple strips is possible through a 3 phase binning process in which each order is inspected with a color meter to ensure uniformity.

5700K | Rf: 87.6 | Rg: 98.0

Color Vector Graphic

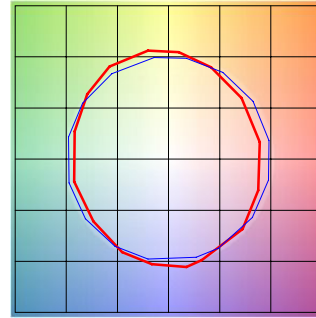


■ Test ■ Reference

HUE BIN	Rf	GRAPHIC SHIFTS %	
		CHROMA	HUE
1	87.9	-3.9%	1.5%
2	92.3	-1.7%	2.7%
3	91.0	-1.2%	2.4%
4	91.5	-1.2%	1.6%
5	86.2	-5.9%	-0.4%
6	93.5	-3.2%	-0.2%
7	93.1	-3.8%	0.6%
8	85.9	-4.6%	5.9%
9	83.6	-4.0%	12.7%
10	75.8	-0.6%	13.6%
11	80.2	4.3%	10.4%
12	83.4	3.4%	1.8%
13	90.8	5.0%	-2.0%
14	91.8	1.3%	-3.3%
15	79.4	8.6%	-12.7%
16	93.4	-2.7%	-0.2%

2000K only (2K4K) | Rf: 82.8 | Rg: 99.3 | CRI: 86

Color Vector Graphic

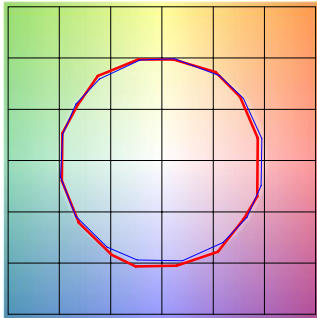


■ Test ■ Reference

HUE BIN	Rf	GRAPHIC SHIFTS %	
		CHROMA	HUE
1	80.1	-9.2%	0.3%
2	77.4	-7.4%	9.0%
3	74.5	-2.3%	12.4%
4	85.3	4.5%	8.6%
5	89.9	7.9%	4.5%
6	88.3	7.2%	-1.8%
7	83.5	1.1%	-10.0%
8	87.1	-4.9%	-6.7%
9	88.3	-5.3%	-0.0%
10	84.6	-5.1%	6.4%
11	84.3	1.0%	9.1%
12	84.2	4.1%	4.7%
13	85.8	7.4%	-11.4%
14	60.8	0.6%	-19.6%
15	77.8	-1.6%	-14.7%
16	78.1	-7.8%	-11.5%

2K4K (3000K) | Rf: 90.2 | Rg: 101.4 | CRI: 90+

Color Vector Graphic

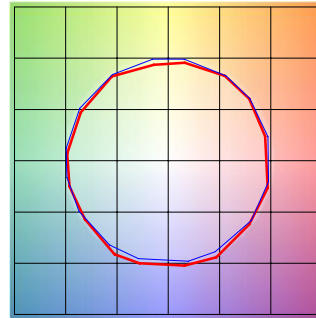


■ Test ■ Reference

HUE BIN	Rf	GRAPHIC SHIFTS %	
		CHROMA	HUE
1	90.9	-3.8%	1.3%
2	91.7	-1.9%	3.3%
3	88.7	0.7%	5.1%
4	92.4	-1.0%	0.7%
5	92.9	0.9%	1.7%
6	93.1	3.3%	-0.6%
7	91.0	-1.8%	-0.4%
8	97.0	0.2%	-1.1%
9	92.8	-0.5%	3.6%
10	88.3	1.0%	7.0%
11	87.1	3.8%	7.8%
12	87.6	6.5%	-0.3%
13	89.3	3.6%	-6.3%
14	86.1	4.5%	-9.1%
15	91.6	-1.9%	-3.1%
16	83.8	-1.5%	-11.2%

4000K only (2K4K) | Rf: 89.6 | Rg: 99.1 | CRI: 87

Color Vector Graphic

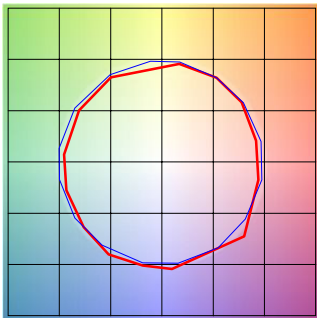


■ Test ■ Reference

HUE BIN	Rf	GRAPHIC SHIFTS %	
		CHROMA	HUE
1	91.3	-2.5%	1.0%
2	95.3	-0.5%	0.5%
3	94.3	-0.7%	1.1%
4	91.1	-3.4%	-1.1%
5	89.5	-5.6%	0.0%
6	94.6	-1.4%	1.3%
7	93.2	-3.0%	2.6%
8	91.3	-1.8%	4.6%
9	86.5	-0.9%	9.1%
10	83.3	-0.5%	9.5%
11	83.3	4.9%	9.0%
12	89.7	4.1%	1.7%
13	90.1	3.6%	-4.3%
14	93.4	5.2%	-2.1%
15	87.4	0.4%	-4.3%
16	86.6	0.4%	-6.1%

6000K only (27K6) | Rf: 87.5 | Rg: 97.7 | CRI: XXX

Color Vector Graphic



■ Test ■ Reference

HUE BIN	Rf	GRAPHIC SHIFTS %	
		CHROMA	HUE
1	87.5	-4.2%	1.4%
2	92.2	-1.9%	2.7%
3	90.9	-1.4%	2.4%
4	91.4	-1.3%	1.6%
5	86.1	-6.0%	-0.5%
6	93.4	-3.4%	-0.3%
7	93.4	-3.4%	-0.3%
8	92.9	-3.9%	0.5%
9	85.8	-4.9%	5.7%
10	75.7	-0.7%	13.7%
11	80.2	4.2%	10.4%
12	93.5	3.3%	1.7%
13	90.6	4.9%	-2.3%
14	91.5	1.2%	-3.6%
15	79.1	8.3%	-13.2%
16	93.1	-2.9%	-0.4%

PROJECT	FIXTURE TYPE	DATE
---------	--------------	------