

DESCRIPTION

MTC48 MicroTrack™ is a 48VDC surface-mounted system, engineered with a sleek and compact aluminum profile measuring just 1/2" deep by 7/16" wide and featuring a 1/4" slot. Designed for a clean, contemporary aesthetic, it supports a variety of fixture options. The track mounts directly to drywall ceilings, offering precision-engineered flexibility that allows it to seamlessly curve and turn along ceilings and walls. For a refined architectural finish in black or white, each track includes a matching Slot Cover to conceal the 12 AWG copper busbars and mounting screws. For custom quotes and layout assistance, send your drawings and ideas to our design team: design@PureEdgeLighting.com.

FEATURES

- Track Heads easily attach to the track and adjust, tilt, and rotate
- Light Bars and Teeny track heads can be installed with one hand (no screwdriver necessary)
- Designed for use with Class 2, 48VDC Universal Remote Power Supplies up to 40' away with low voltage wire
- Power offered with an End Feed or Center Feed. Use up to 2 x 96W Remote Power Supplies with Center Feed before re-feeding
- Straight Channels are available in 4' (44") and 8' (92") lengths, with the ability to be cut in the field
- Curved Channels are available in 12" and 20" radii
- Includes an opaque Slot Cover to conceal the 12 AWG copper busbars and mounting screws
- T-Bar MicroTrack™ fits on 9/16" and 15/16" T-Bar ceiling with MTT48 TRACK (1/8" higher track)

LAMP

- Lumens: Up to 1776 lm at 3000K
- Lumens Per Watt: Up to 127 lm/w at 3000K
- CRI: Minimum 90 color rendering index
- CCT: 2400K, 2700K, 3000K, 3500K, 4000K (Warm Dim available for 3000K color temperature with a great color consistency (within 3.0- step MacAdam ellipse)
- LED Lamp Life: Minimum 50,000hr with 85% of lumen maintenance in 25C ambient temperature, in compliance with IES LM-80 testing measurements

FINISH & MATERIAL

- Slot Cover: Black or Matte White PVC
- Extruded Aluminum Channel, conductors are a pair of #12 Gauge Copper Busbars

POWER SUPPLY AND DIMMING (SOLD SEPARATELY)

- 2 x 96W 48VDC, Remote Power
- 48VDC UNI Driver: Universal Dimming (ELV, TRIAC, 0-10V)
 - ELV & TRIAC Smart Dimmer & Switch
 - 2-in-1 Power Driver and Dimmer

APPLICATIONS

Indoor use only. Ideal applications in residential, commercial, retail and hospitality environments.

WARRANTY / LABELS

5 year pro-rated warranty. Assembled in America
 ETL (Conforms to UL 1598 and CSA 22.2 #250.0), Class 2 Under 100 Watts, Title 24

COMPONENTS

MICROTRACK™ CEILING 48VDC

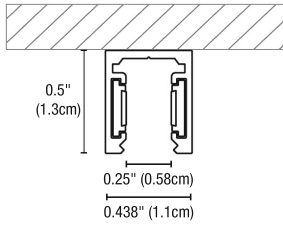


SLOT COVER PROVIDED

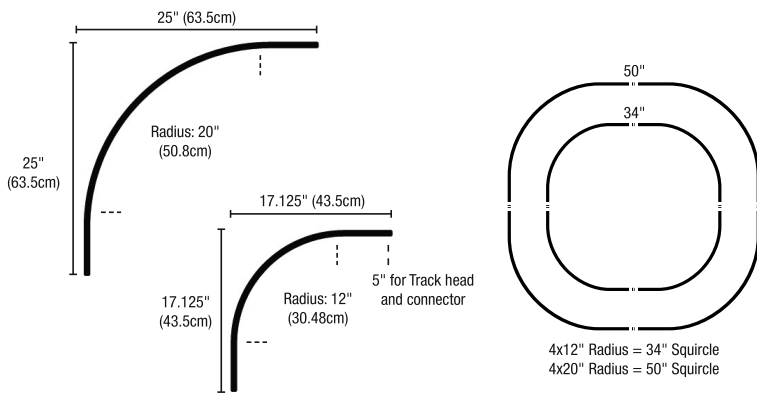
STRAIGHT CONNECTOR

STRAIGHT 1 CIRCUIT CHANNEL

Extruded Aluminum Channel with 12 AWG bus bars to help eliminate voltage drop. For use with 48VDC Remote Power Supply, sold separately. Includes an End Cap, a Straight Connector, and an opaque Slot Cover to conceal the track slots.



System	Circuit	Nominal Length in Feet	Finish
MTC48	1C	8FT	BK
MTC48* MicroTrack Ceiling 48VDC	1C Single Circuit	4FT 44"	BK Black
MTT48 MicroTrack with 9/16" & 15/16" T-Bar Clip		8FT 92"	MW Matte White RAL 9003



CURVE 1 CIRCUIT CHANNEL

May be used with Flex Light. Comes with one Straight Connector

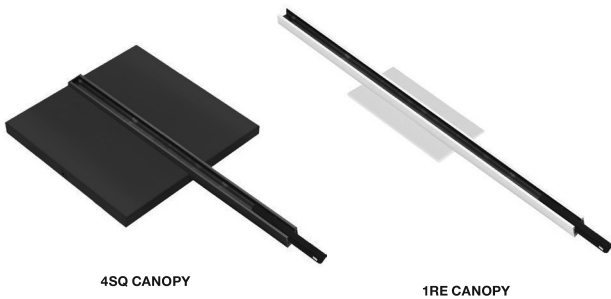
System	Circuit	Radius in Inches	Finish
MTC48	1C	12R	BK
MTC48* MicroTrack Ceiling Curved 48VDC	1C Single Circuit	12R 12" Radius	BK Black
MTT48* MicroTrack Ceiling Curved 48VDC with T-Bar Clip, one every 2ft		20R* 20" Radius	MW Matte White RAL 9003

*Curved track is not compatible with a Slot Cover

*Track Heads fit in 20R 20" radius track only

END OR CENTER POWER FEED

The End Power Feed delivers 48VDC from a single 96-watt remote power supply, while the Center Power Feed supports up to two 96-watt, 48VDC remote power supplies. Both options are Class 2 with Power supplies on the same line voltage circuit (same phase). Includes Straight Connector, End Power, and a Slot Cover.



4SQ CANOPY

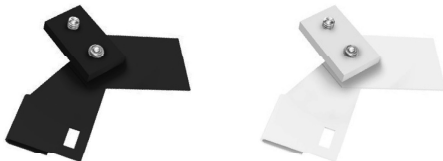
1RE CANOPY

System	Circuit & Type	Canopy	Canopy & Track Finish
MTC48	EP	4SQ	BK
MTC48* MicroTrack Ceiling 48VDC	EP End Power Feed Single Circuit, with 12" long track	4SQ 4.5" Square Junction Box Cover	BK Black
MTT48 MicroTrack with T-Bar Clip	CP1 Center Power Feed Single Circuit, with 12" long track	1RE* 1" Rectangle Junction Box Cover (Jbox Plaster Ring included)	MW Matte White RAL 9003
	CP2 Two Center Power Feeds Both Directions, with 12" long track		

*Cannot be used with T-Bar Track

T-BAR CEILING MOUNTING CLIP (INCLUDED WITH THE MTT48 TRACK).

For 15/16" and 9/16" ceiling grid.

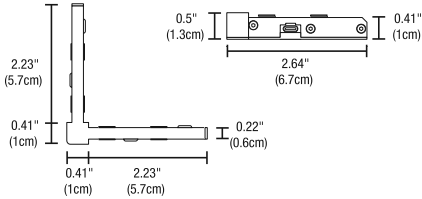


System	Component	Type	Finish
MT48	MCL	TBA	BK
MT48 MicroTrack 48VDC	MCL Mounting Clip	TBA T-Bar Clip	BK Black
			MW Matte White RAL 9003

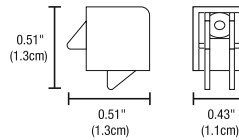
ACCESSORIES



L-CONNECTOR



VERTICAL CONNECTOR



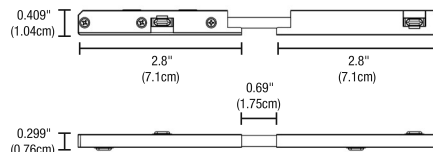
L-SHAPED / VERTICAL CONNECTORS

L-Shaped and Vertical 48VDC Connector joins two sections of track at 90°

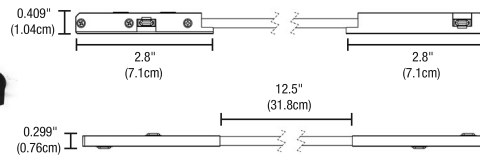
System	Circuit	Type	Finish
MTC48	1C	LC	BK
MTC48 MicroTrack Ceiling 48VDC	1C Single Circuit	LC L-Connector Conductive LNC L-Connector Non-Conductive VC Vertical Connector Conductive VNC Vertical Connector Non-Conductive	BK Black MW Matte White RAL 9003

FLEX CONNECTOR

Flexible 48VDC Connector joins two sections of track at any angle.

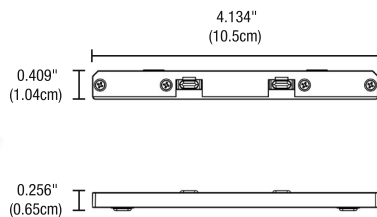


System	Circuit	Type	Finish
MT48	1C	FXC	BK
MT48 MicroTrack 48VDC	1C Single Circuit	FXC Flex Connector	BK Black MW Matte White RAL 9003



System	Circuit	Type	Finish
MT48	1C	FXCL	BK
MT48 MicroTrack 48VDC	1C Single Circuit	FXCL Flex Connector Long 12"	BK Black MW Matte White RAL 9003

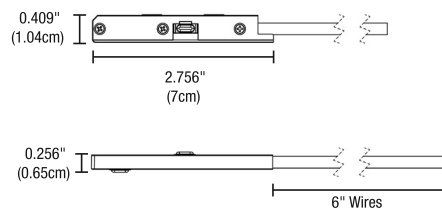
ADDITIONAL PARTS



STRAIGHT CONNECTOR (INCLUDED WITH EACH TRACK)

Straight 48VDC Connector joins two track sections end to end and is concealed by the Slot Covers.

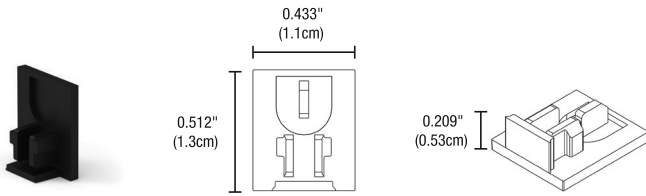
System	Circuit	Type	Finish
MT48	1C	SC	BK
MT48 MicroTrack 48VDC	1C Single Circuit	SC Straight Connector Conductive SNC Straight Connector Non-Conductive	BK Black MW Matte White RAL 9003



END POWER FEED (INCLUDED WITH POWER TRACK)

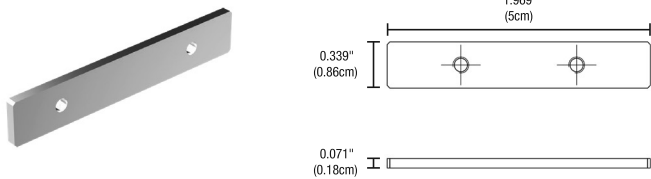
End Power feed up to 96 watts at 48VDC. Can be used to replace lost part.

System	Circuit	Type	Finish
MT48	1C	EP	BK
MT48 MicroTrack 48VDC	1C Single Circuit	EP End Power Feed	BK Black MW Matte White RAL 9003



END CAPS (INCLUDED WITH EACH TRACK)

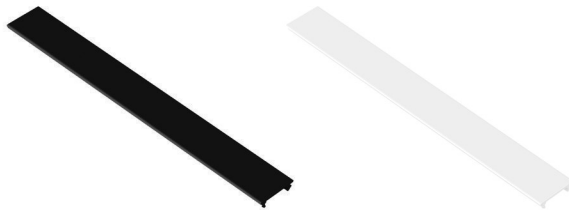
System	Circuit	Type	Finish
MT48	1C	CA	BK
MT48 MicroTrack 48VDC MTS48 for T-Bar MicroTrack	1C Single Circuit	CA End Cap	BK Black MW Matte White RAL 9003



REINFORCEMENT JOINER

Reinforcement joiner used for cutting and mechanically joining two tracks together.

System	Type
MT48	J1
MT48 MicroTrack 48VDC	J1 Reinforcement Joiner



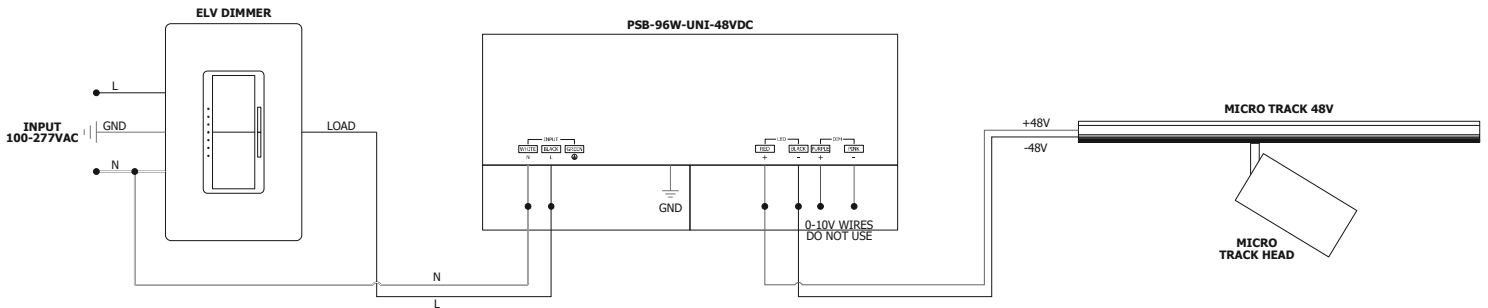
OPAQUE SLOT COVER (INCLUDED WITH EACH TRACK)

Slot Covers included to conceal conductor and track slots.

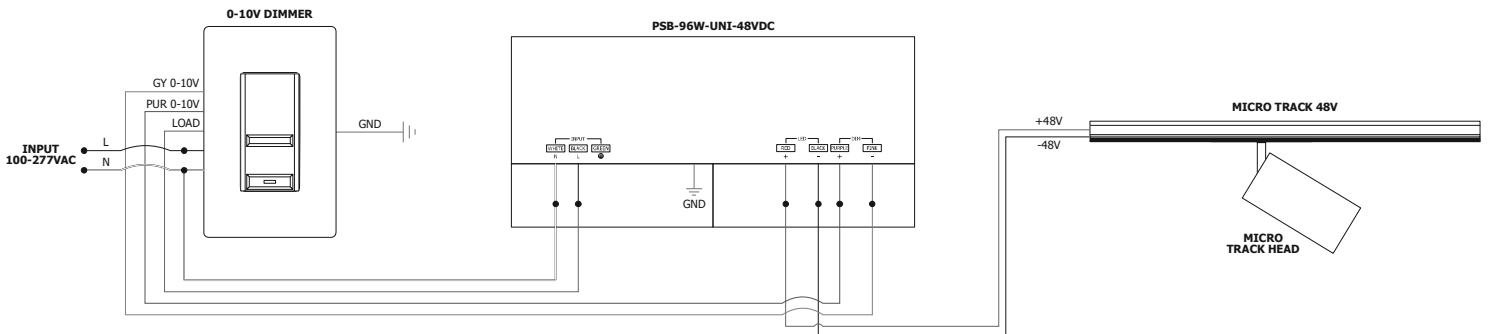
System	Type	Length in Feet	Cover Color
MT48	SCO	8FT	BK
MT48 MicroTrack 48VDC	SCO Opaque Cover for Track Slot	8FT 8'	BK Black MW Matte White RAL 9003

WIRING DIAGRAMS

ELV





0-10V

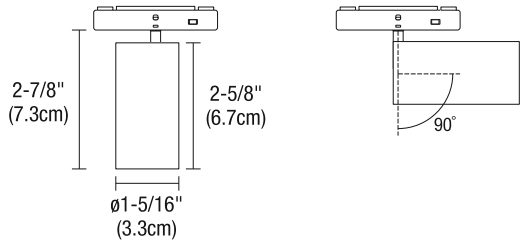


PureEdge MT48 Track Heads are compatible with all MicroTrack™ Systems. May also be ordered with a [MonoPoint Canopy](#).

TEENY (BUT POWERFUL)

712 LM @ 3000K, 6 WATT, TITLE 24



2-7/8" (7.3cm)
2-5/8" (6.7cm)
ø1-5/16" (3.3cm)

*For lenses and lens accessories, refer to the accessories page


System	Fixture	Wattage	Beam Spread	Color Temperature	Finish
MT48	TEE	6W	SP	30K	BK
MT48 MicroTrack 48VDC	TEE Teeny Track Head	6W 6 Watts	NS Narrow Spot 15° SP Spot 24° NF Narrow Flood 36° FL Flood 50°	24K 2400K Amber White 27K 2700K Very Warm White 30K 3000K Warm White 30D* 3000K dims to 1800K 35K 3500K Neutral White 40K 4000K Cool White <small>*Uses 5 Watts and is not compatible with NS (15°) lens</small>	BK Black Powder Coat MW Matte White Powder Coat RAL 9003

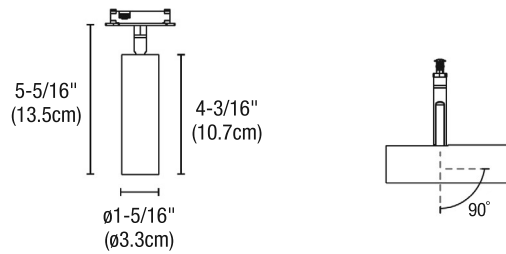
TEENY (WITH NARROW SPOT 15° LENS)						
COLOR TEMPERATURE	24K	27K	30K	30D*	35K	40K
TOTAL LUMENS	676	684	712	373	817	862
WATTS	6	6	6	5	6	6
LUMENS PER WATT (lm/w)	113	114	119	75	136	144
CRI	95+	95+	95+	95+	95+	95+

*30D - Warm Dim (5 Watts)

SLIM

671 LM @ 3000K, 6 WATT, TITLE 24





5-5/16" (13.5cm)
4-3/16" (10.7cm)
ø1-5/16" (ø3.3cm)

*For lenses and lens accessories, refer to the accessories page

System	Fixture	Wattage	Beam Spread	Color Temperature	Finish
MT48	SLM	6W	SP	30K	BK
MT48 MicroTrack 48VDC	SLM Slim Track Head	6W 6 Watts	NS Narrow Spot 15° SP Spot 24° NF Narrow Flood 36° FL Flood 50°	24K 2400K Amber White 27K 2700K Very Warm White 30K 3000K Warm White 30D* 3000K dims to 1800K 35K 3500K Neutral White 40K 4000K Cool White <small>*Not compatible with the NS (15°) lens</small>	BK Black Powder Coat MW Matte White Powder Coat RAL 9003 SB Satin Brass SN Satin Nickel

SLIM (WITH NARROW SPOT 15° LENS)						
COLOR TEMPERATURE	24K	27K	30K	30D	35K	40K
TOTAL LUMENS	637	644	671	505	770	812
WATTS	6	6	6	6	6	6
LUMENS PER WATT (lm/w)	106	107	112	84	128	135
CRI	95+	95+	95+	95+	95+	95+



MT48 MicroTrack™ TRACK HEADS

48VDC WITH INTEGRATED LED, ETL LISTED



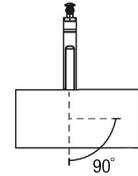
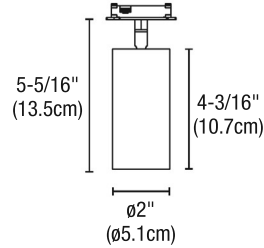
PROJECT
FIXTURE TYPE
DATE

REV 02.16.26

PureEdge MT48 Track Heads are compatible with all MicroTrack™ Systems.

PICO & PICO ZOOM

965 LM @ 3000K, 10 WATT, TITLE 24 (PICO) / 750 LM @ 3000K, 10 WATTS, TITLE 24 (PICO ZOOM)



*For lenses and lens accessories, refer to the accessories page

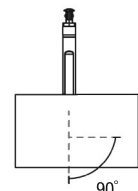
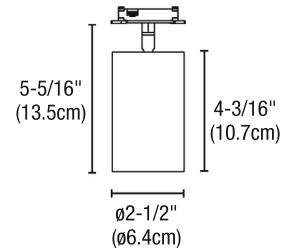
System	Fixture	Wattage	Beam Spread	Color Temperature	Finish
MT48	PCO	10W	NS	30K	BK
MT48 MicroTrack 48VDC	PCO Pico Track Head PCZ Pico Zoom Track Head, Beam Spread NSFL 15°-50°	10W 10 Watts	NS Narrow Spot 15° SP Spot 24° NF Narrow Flood 36° FL Flood 50° NSFL Narrow Spot 15° to Flood 50° (Pico Zoom Only)	24K 2400K Amber White 27K 2700K Very Warm White 30K 3000K Warm White 30D 3000K Warm Dim 35K 3500K Neutral White 40K 4000K Cool White	BK Black Powder Coat MW Matte White Powder Coat RAL 9003, Matte White stem SB* Satin Brass SN* Satin Nickel

*Not available with Pico Zoom

	PICO (WITH SPOT 24° LENS)						PICO ZOOM (WITH 50° BEAM SPREAD)					
COLOR TEMPERATURE	24K	27K	30K	30D	35K	40K	24K	27K	30K	30D	35K	40K
TOTAL LUMENS	917	926	965	853	1107	1168	713	720	750	578	860	908
WATTS	10	10	10	10	10	10	11	11	11	11	11	11
LUMENS PER WATT (lm/w)	92	93	97	85	111	117	65	65	68	53	78	83
CRI	97+	97+	97+	97+	97+	97+	97+	97+	97+	97+	97+	97+

POP & POP ZOOM

1865 LM @ 3000K, 15 WATT, TITLE 24 (POP) / 1062 LM @ 3000K, 15 WATT, TITLE 24 (POP ZOOM)



*For lenses and lens accessories, refer to the accessories page

System	Fixture	Wattage	Beam Spread	Color Temperature	Finish
MT48	POP	15W	NS	30K	BK
MT48 MicroTrack 48VDC	POP Pop Track Head POZ Pop Zoom Track Head, Beam Spread NSFL 15°-50°	15W 15 Watts	NS Narrow Spot 15° SP Spot 24° NF Narrow Flood 35° FL Flood 50° NSFL Narrow Spot 15° to Flood 50° (Pop Zoom Only)	24K 2400K Amber White 27K 2700K Very Warm White 30K 3000K Warm White 30D* 3000K Warm Dim 35K 3500K Neutral White 40K 4000K Cool White	BK Black Powder Coat MW Matte White Powder Coat RAL 9003, Matte White stem SB* Satin Brass SN* Satin Nickel

*Not compatible with FL (50°) lens

*Not available with Pop Zoom


	POP (WITH FLOOD 50° LENS)						POP ZOOM (WITH 50° BEAM SPREAD)					
COLOR TEMPERATURE	24K	27K	30K	30D*	35K	40K	24K	27K	30K	30D	35K	40K
TOTAL LUMENS	1772	1790	1865	1051	2140	2257	1009	1020	1062	878	1218	1285
WATTS	15	15	15	12	15	15	15	15	15	15	15	15
LUMENS PER WATT (lm/w)	118	119	124	88	143	150	67	68	71	55	81	86
CRI	95+	95+	95+	97+	95+	95+	98+	98+	98+	98+	98+	98+

*30D - Warm Dim (12 Watts), Narrow Flood 35° Lens

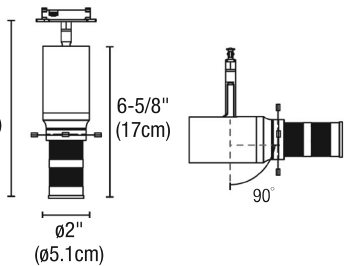
PureEdge MT48 Track Heads are compatible with all MicroTrack™ Systems.

FRAME 1 & 2

570 LM @ 3000K, 10 WATT 48VDC CLASS 2, TITLE 24 (FRAME 1) / 571 LM @ 3000K, 15 WATT 48V CLASS 2, TITLE 24 (FRAME 2)



FRAME 1



FRAME 2


*For color filters and Gobo lenses, refer to the accessories page

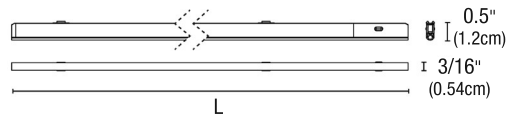
System	Fixture	Wattage	Beam Spread	Color Temperature	Finish
MT48	FRM2	15W	SPNF	30K	BK
MT48 MicroTrack 48VDC	FRM1 Frame 1 Track Head FRM2 Frame 2 Track Head	10W 10 Watts 15W 15 Watts	SPNF Spot 20° to Narrow Flood 30°	24K 2400K Amber White 27K 2700K Very Warm White 30K 3000K Warm White 30D 3000K Warm Dim 35K 3500K Neutral White 40K 4000K Cool White	BK Black Powder Coat MW Matte White Powder Coat RAL 9003

	FRAME 1 (WITH 30° BEAM SPREAD)						FRAME 2 (WITH 30° BEAM SPREAD)					
COLOR TEMPERATURE	24K	27K	30K	30D	35K	40K	24K	27K	30K	30D	35K	40K
TOTAL LUMENS	542	547	570	439	654	690	542	548	571	440	655	691
WATTS	10	10	10	11	10	10	15	15	15	14	15	15
LUMENS PER WATT (lm/w)	54	55	57	40	65	69	36	37	38	31	44	46
CRI	97+	97+	97+	97+	97+	97+	97+	97+	97+	97+	97+	97+

MINI LIGHT BAR

134 LM @ 3000K, 5 WATT, 12" LENGTH





0.5"
I (1.2cm)
r 3/16"
(0.54cm)

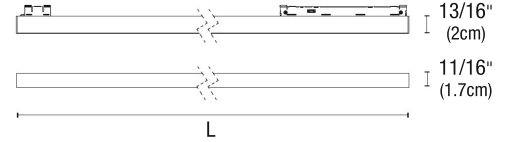
5W12: 11-7/16" (29cm)
9W24: 22-13/16" (58cm)
14W36: 34-5/8" (87cm)

System	Fixture	Wattage	Color Temperature	Finish
MT48	MLB	9W24	30K	BK
MT48 MicroTrack 48VDC	MLB Mini Light Bar	5W12 5 Watts, 12" Length 9W24 9 Watts, 24" Length 14W36 14 Watts, 36" Length	27K 2700K Very Warm White 30K 3000K Warm White 35K 3500K Neutral White 40K 4000K Cool White	BK* Black Powder Coat <small>*Mini Light Bar is tucked into track, only lens is visible</small>

	MINI LIGHT BAR											
	6W				11W				17W			
WATTAGE												
COLOR TEMPERATURE	27K	30K	35K	40K	27K	30K	35K	40K	27K	30K	35K	40K
TOTAL LUMENS	129	134	154	162	273	284	326	344	427	445	511	538
LUMENS PER WATT (lm/w)	26	27	31	32	30	32	36	38	31	32	36	38
CRI	90+	90+	90+	90+	90+	90+	90+	90+	90+	90+	90+	90+

LIGHT BAR

400 LM @ 3000K, 6 WATT, 12" LENGTH, TITLE 24



6W12: 11-11/16" (29.7cm)
11W24: 23-1/4" (59cm)
17W36: 34-13/16" (88.4cm)

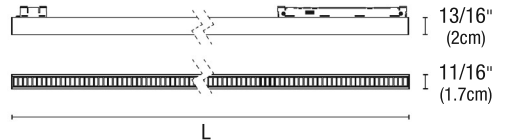
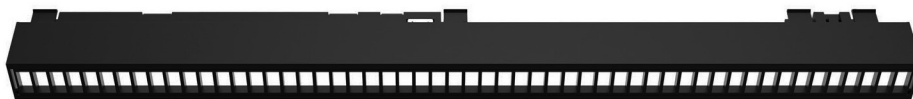


System	Fixture	Wattage	Color Temperature	Finish
MT48	LB	11W24	30K	BK
MT48 MicroTrack 48VDC	LB Light Bar	6W12 6 Watts, 12" Length 11W24 11 Watts, 24" Length 17W36 17 Watts, 36" Length	27K 2700K Very Warm White 30K 3000K Warm White 35K 3500K Neutral White 40K 4000K Cool White	BK Black Powder Coat MW Matte White Powder Coat RAL 9003

WATTAGE	LIGHT BAR WITH 140° LENS											
	6W - 12" (11-11/16")				11W - 24" (23-1/4")				17W - 36" (34-13/16")			
COLOR TEMPERATURE	27K	30K	35K	40K	27K	30K	35K	40K	27K	30K	35K	40K
TOTAL LUMENS	384	400	459	484	768	800	918	968	1152	1200	1377	1452
LUMENS PER WATT (lm/w)	64	67	76	81	128	133	153	161	192	200	229	242
CRI	90+	90+	90+	90+	90+	90+	90+	90+	90+	90+	90+	90+

LIGHT BAR LOUVER

129 LM @ 3000K, 6 WATT, 12" LENGTH, TITLE 24



6W12: 11-11/16" (29.7cm)
11W24: 23-1/4" (59cm)
17W36: 34-13/16" (88.4cm)

System	Fixture	Wattage	Color Temperature	Finish
MT48	LBL	11W24	30K	BK
MT48 MicroTrack 48VDC	LBL Light Bar Louver	6W12 6 Watts, 12" Length 11W24 11 Watts, 24" Length 17W36 17 Watts, 36" Length	27K 2700K Very Warm White 30K 3000K Warm White 35K 3500K Neutral White 40K 4000K Cool White	BK Black Powder Coat MW Matte White Powder Coat RAL 9003

WATTAGE	LIGHT BAR LOUVER & 120° LENS											
	6W - 12" (11-11/16")				11W - 24" (23-1/4")				17W - 36" (34-13/16")			
COLOR TEMPERATURE	27K	30K	35K	40K	27K	30K	35K	40K	27K	30K	35K	40K
TOTAL LUMENS	124	129	148	156	248	258	296	312	372	387	444	468
LUMENS PER WATT (lm/w)	21	22	25	26	41	43	49	52	62	65	74	78
CRI	90+	90+	90+	90+	90+	90+	90+	90+	90+	90+	90+	90+



MT48 MicroTrack™ TRACK HEADS

48VDC WITH INTEGRATED LED, ETL LISTED

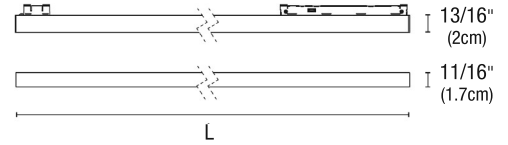


PROJECT
FIXTURE TYPE
DATE

REV 02.16.26

LIGHT BAR HEXCELL LOUVER

168 LM @ 3000K, 6 WATT, 12" LENGTH, TITLE 24



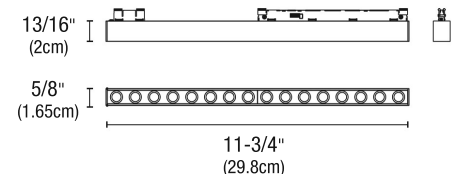
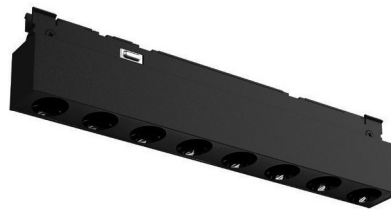
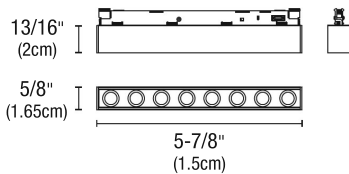
6W12: 11-11/16" (29.7cm)
11W24: 23-1/4" (59cm)
17W36: 34-13/16" (88.4cm)

System	Fixture	Wattage	Color Temperature	Finish
MT48	LBH	11W24	30K	BK
MT48 MicroTrack 48VDC	LBH Light Bar Hexcell Louver	6W12 6 Watts, 12" Length 11W24 11 Watts, 24" Length 17W36 17 Watts, 36" Length	27K 2700K Very Warm White 30K 3000K Warm White 35K 3500K Neutral White 40K 4000K Cool White	BK Black Powder Coat MW Matte White Powder Coat RAL 9003

WATTAGE	LIGHT BAR WITH HEXCELL LOUVER & 120° LENS											
	6W - 12" (11-11/16")				11W - 24" (23-1/4")				17W - 36" (34-13/16")			
COLOR TEMPERATURE	27K	30K	35K	40K	27K	30K	35K	40K	27K	30K	35K	40K
TOTAL LUMENS	161	168	193	203	323	336	385	407	484	504	578	610
LUMENS PER WATT (lm/w)	27	28	32	34	54	56	64	68	81	84	96	102
CRI	90+	90+	90+	90+	90+	90+	90+	90+	90+	90+	90+	90+

LIGHT BAR ACCENT

548 LM @ 3000K, 9 WATT, 6" LENGTH, TITLE 24

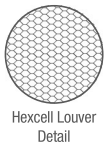


System	Fixture	Wattage	Beam Spread	Color Temperature	Finish
MT48	BA	9W6	NF	30K	BB
MT48 MicroTrack 48VDC	BA Bar Accent	9W6 9 Watts, 6" Length 16W12 16 Watts, 12" Length	NF Narrow Flood 30°	27K 2700K Very Warm White 30K 3000K Warm White 35K 3500K Neutral White 40K 4000K Cool White	BB Black Fixture Black Baffle BC Black Fixture Crystal Baffle BG Black Fixture Gold Baffle MB Matte White Fixture Black Baffle MC Matte White Fixture Crystal Baffle MG Matte White Fixture Gold Baffle

WATTAGE	LIGHT BAR ACCENT WITH 30° LENS							
	9W				16W			
COLOR TEMPERATURE	27K	30K	35K	40K	27K	30K	35K	40K
TOTAL LUMENS	526	548	629	663	1005	1047	1201	1267
LUMENS PER WATT (lm/w)	88	91	105	111	168	175	200	211
CRI	90+	90+	90+	90+	90+	90+	90+	90+

LIGHT BAR ACCENT HEXCELL LOUVER

270 LM @ 3000K, 9 WATT, 16" LENGTH, TITLE 24



System	Fixture	Wattage	Beam Spread	Color Temperature	Finish
MT48	BAH	9W6	NF	30K	BB
MT48 MicroTrack 48VDC	BAH Bar Accent Hexcell Louver	9W6 9 Watts, 6" Length 16W12 16 Watts, 12" Length	NF Narrow Flood 30°	27K 2700K Very Warm White 30K 3000K Warm White 35K 3500K Neutral White 40K 4000K Cool White	BB Black Fixture Black Baffle BC Black Fixture Crystal Baffle BG Black Fixture Gold Baffle MB Matte White Fixture Black Baffle MC Matte White Fixture Crystal Baffle MG Matte White Fixture Gold Baffle

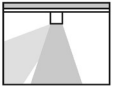
WATTAGE	LIGHT BAR ACCENT WITH HEXCELL LOUVER & 30° LENS							
	9W				16W			
COLOR TEMPERATURE	27K	30K	35K	40K	27K	30K	35K	40K
TOTAL LUMENS	259	270	310	327	493	514	590	622
LUMENS PER WATT (lm/w)	43	45	52	54	82	86	98	104
CRI	90+	90+	90+	90+	90+	90+	90+	90+

LIGHT BAR ACCENT TILT

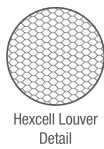
548 LM @ 3000K, 9 WATT, 6" LENGTH, TITLE 24



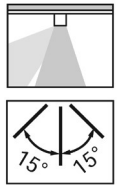
System	Fixture	Wattage	Beam Spread	Color Temperature	Finish
MT48	BAT	9W6	NF	30K	BB
MT48 MicroTrack 48VDC	BAT Bar Accent Tilt	9W6 9 Watts, 6" Length 16W12 16 Watts, 12" Length	NF Narrow Flood 30°	27K 2700K Very Warm White 30K 3000K Warm White 35K 3500K Neutral White 40K 4000K Cool White	BB Black Fixture Black Baffle BC Black Fixture Crystal Baffle BG Black Fixture Gold Baffle MB Matte White Fixture Black Baffle MC Matte White Fixture Crystal Baffle MG Matte White Fixture Gold Baffle



WATTAGE	LIGHT BAR ACCENT ROTATABLE WITH 30° LENS							
	9W				16W			
COLOR TEMPERATURE	27K	30K	35K	40K	27K	30K	35K	40K
TOTAL LUMENS	526	548	629	663	1005	1047	1201	1267
LUMENS PER WATT (lm/w)	88	91	105	111	168	175	200	211
CRI	90+	90+	90+	90+	90+	90+	90+	90+



System	Fixture	Wattage	Beam Spread	Color Temperature	Finish
MT48	BATH	9W6	NF	30K	BB
MT48 MicroTrack 48VDC	BATH Bar Accent Tilt Hexcell Louver	9W6 9 Watts, 6" Length 16W12 16 Watts, 12" Length	NF Narrow Flood 30°	27K 2700K Very Warm White 30K 3000K Warm White 35K 3500K Neutral White 40K 4000K Cool White	BB Black Fixture Black Baffle BC Black Fixture Crystal Baffle BG Black Fixture Gold Baffle MB Matte White Fixture Black Baffle MC Matte White Fixture Crystal Baffle MG Matte White Fixture Gold Baffle



LIGHT BAR ACCENT ROTATABLE WITH HEXCELL LOUVER & 30° LENS

WATTAGE	9W				16W			
COLOR TEMPERATURE	27K	30K	35K	40K	27K	30K	35K	40K
TOTAL LUMENS	259	270	310	327	493	514	590	622
LUMENS PER WATT (lm/w)	43	45	52	54	82	86	98	104
CRI	90+	90+	90+	90+	90+	90+	90+	90+



System	Fixture	Wattage	Color Temperature	Finish
MT48	BWW	9W6	30K	BK
MT48 MicroTrack 48VDC	BWW Bar Wall Wash	9W6 9 Watts, 6" Length 16W12 16 Watts, 12" Length	27K 2700K Very Warm White 30K 3000K Warm White 35K 3500K Neutral White 40K 4000K Cool White	BK Black Powder Coat MW Matte White Powder Coat RAL 9003

LIGHT BAR WALL WASH

WATTAGE	9W				16W			
COLOR TEMPERATURE	27K	30K	35K	40K	27K	30K	35K	40K
TOTAL LUMENS	526	548	629	663	1005	1047	1201	1267
LUMENS PER WATT (lm/w)	88	91	105	111	168	175	200	211
CRI	90+	90+	90+	90+	90+	90+	90+	90+



MT48 MicroTrack™ TRACK HEADS

48VDC WITH INTEGRATED LED, ETL LISTED

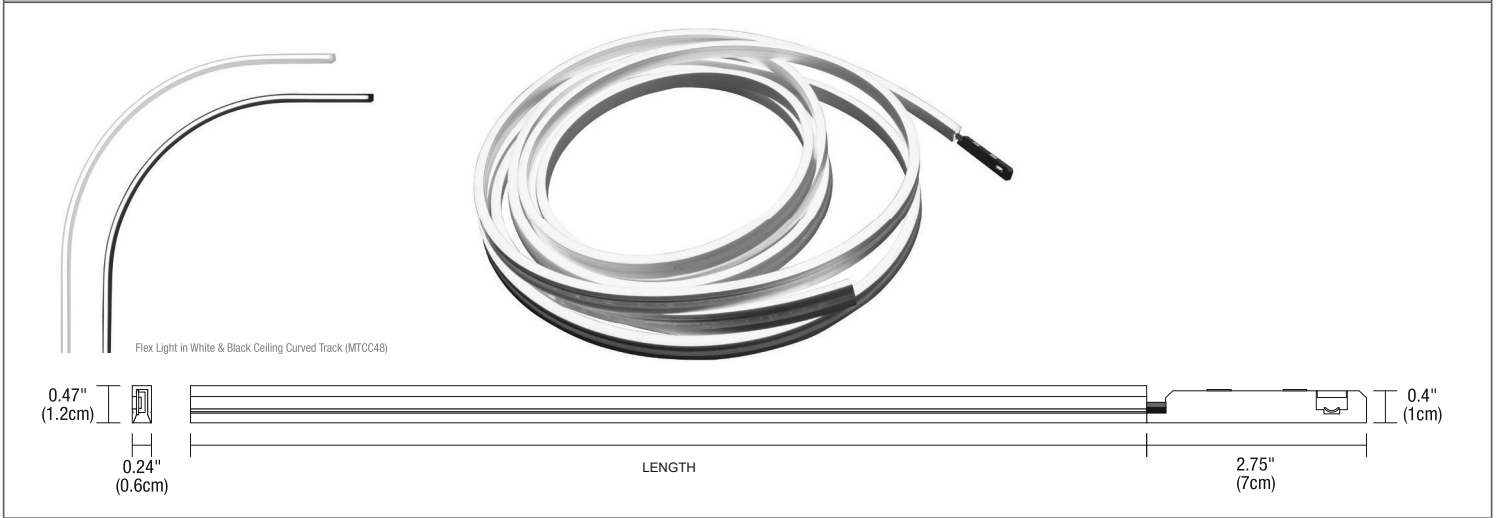


PROJECT
FIXTURE TYPE
DATE

REV 02.16.26

MICROTRACK™ FLEX LIGHT

70 LM @ 3000K, 3 WATT

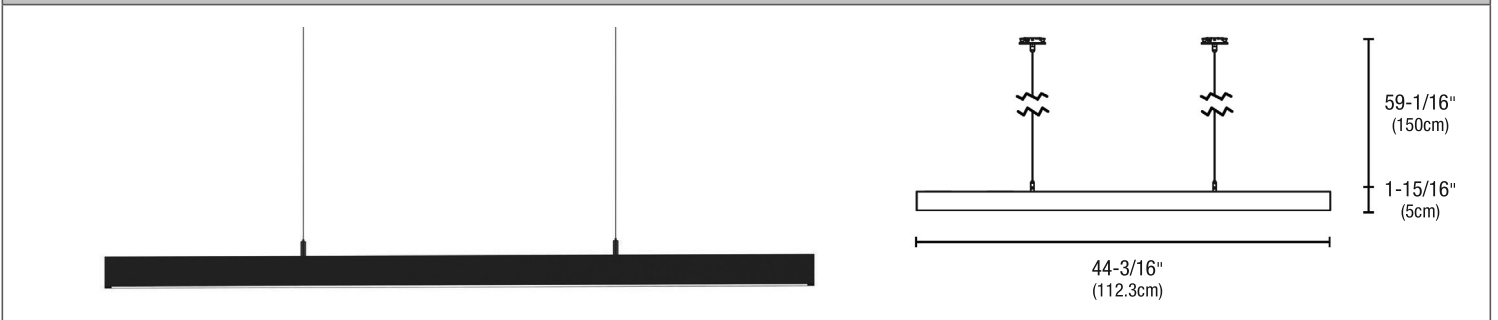


System	Fixture	Wattage	Length	Color Temperature
MT48	FN2	3W	16FT	30K
MT48 MicroTrack 48VDC	FN2 Flex Light	3W 3 Watts per foot	1-16FT 1-16 Feet	27K 2700K Very Warm White 30K 3000K Warm White 35K 3500K Neutral White 40K 4000K Cool White

	FLEX LIGHT			
COLOR TEMPERATURE	27K	30K	35K	40K
TOTAL LUMENS	95	99	114	85
WATTS	3	3	3	3
LUMENS PER WATT (lm/w)	32	33	38	28
CRI	90+	90+	90+	90+

HILO PENDANT

350 LM @ 3000K, 12 WATT



System	Fixture	Wattage	Beam Spread	Color Temperature	Finish
MT48	HLP	12W	VW	30K	BK
MT48 MicroTrack 48VDC	HLP HiLo Pendant	12W 12 Watts	VW Very Wide 100°	27K 2700K Very Warm White 30K 3000K Warm White 35K 3500K Neutral White 40K 4000K Cool White	BK Black Powder Coat MW Matte White Powder Coat RAL 9003

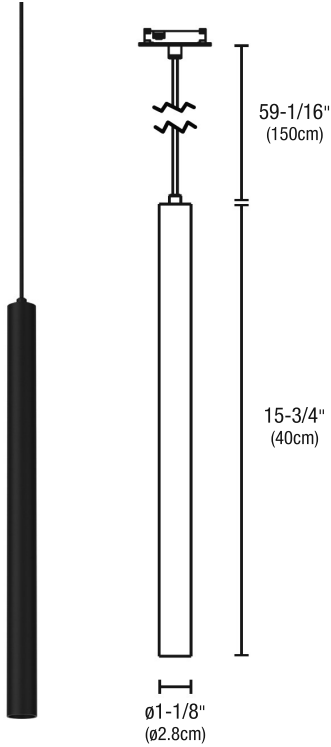
	HILO PENDANT			
WATTAGE	12W			
COLOR TEMPERATURE	27K	30K	35K	40K
TOTAL LUMENS	336	350	403	424
LUMENS PER WATT (lm/w)	28	29	34	35
CRI	90+	90+	90+	90+

MT48 MicroTrack™ TRACK HEADS

48VDC WITH INTEGRATED LED, ETL LISTED

TOTEM PENDANT

596 LM @ 3000K, 7 WATT

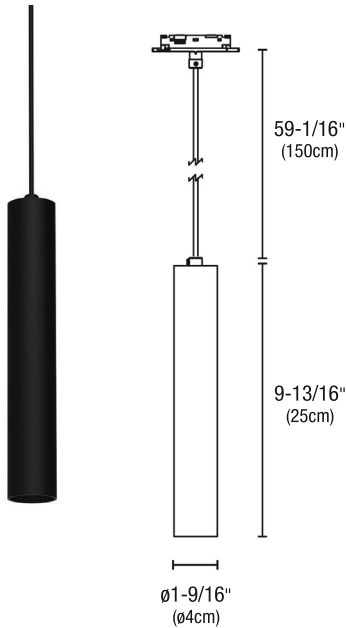


System	Fixture	Wattage	Beam Spread	Color Temperature	Finish
MT48	TTP	7W	NF	30K	BK
MT48 MicroTrack 48VDC	TTP Totem Pendant	7W 7 Watts	SP Spot 20° NF Narrow Flood 24° FL Flood 36° WF Wide Flood 56°	27K 2700K Very Warm White 30K 3000K Warm White 35K 3500K Neutral White 40K 4000K Cool White	BK Black MW Matte White

	TOTEM PENDANT			
	7W			
WATTAGE	7W			
COLOR TEMPERATURE	27K	30K	35K	40K
TOTAL LUMENS	572	596	685	721
LUMENS PER WATT (lm/w)	82	85	98	103
CRI	90+	90+	90+	90+

TOWER PENDANT

707 LM @ 3000K, 7 WATT

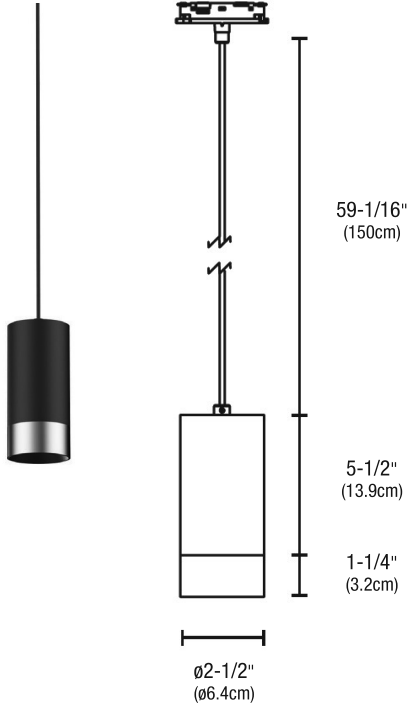


System	Fixture	Wattage	Beam Spread	Color Temperature	Finish
MT48	TOP	7W	NF	30K	BK
MT48 MicroTrack 48VDC	TOP Tower Pendant	7W 7 Watts	SP Spot 20° NF Narrow Flood 24° FL Flood 36° WF Wide Flood 47°	27K 2700K Very Warm White 30K 3000K Warm White 35K 3500K Neutral White 40K 4000K Cool White	BK Black MW Matte White

	TOTEM PENDANT			
	7W			
WATTAGE	7W			
COLOR TEMPERATURE	27K	30K	35K	40K
TOTAL LUMENS	679	707	813	855
LUMENS PER WATT (lm/w)	97	101	116	122
CRI	90+	90+	90+	90+

MIDAS PENDANT

1776 LM @ 3000K, 15 WATT



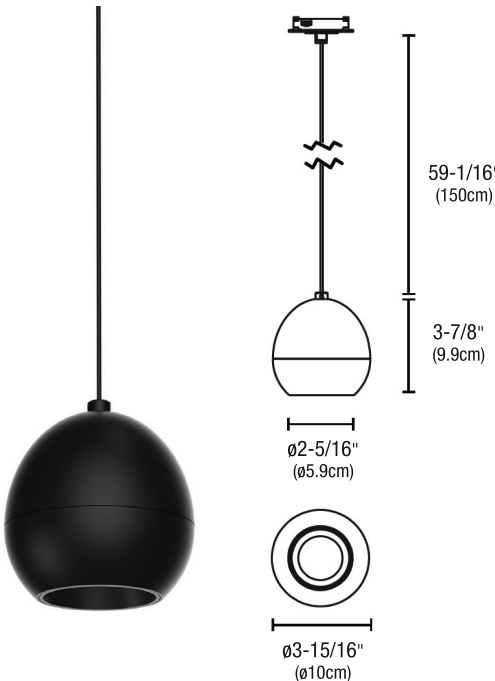
System	Fixture	Wattage	Beam Spread	Color Temperature	Finish
MT48	MIP	15W	NF	30K	BSB
MT48 MicroTrack 48VDC	MIP Midas Pendant	15W 15 Watts	SP Spot 20° NF Narrow Flood 25° FL Flood 38° WF Wide Flood 50°	27K 2700K Very Warm White 30K 3000K Warm White 35K 3500K Neutral White 40K 4000K Cool White	BK Black MW Matte White BSB Black and Satin Brass

		MIDAS PENDANT			
WATTAGE		15W			
COLOR TEMPERATURE		27K	30K	35K	40K
TOTAL LUMENS		1705	1776	2042	2149
LUMENS PER WATT (lm/w)		114	118	136	143
CRI		90+	90+	90+	90+

*For lens accessories, refer to the accessories page

DROP PENDANT

1755 LM @ 3000K, 15 WATT



System	Fixture	Wattage	Beam Spread	Color Temperature	Finish
MT48	DP	15W	NF	30K	BK
MT48 MicroTrack 48VDC	DP Drop Pendant	15W 15 Watts	SP Spot 20° NF Narrow Flood 25° FL Flood 38° WF Wide Flood 50°	27K 2700K Very Warm White 30K 3000K Warm White 35K 3500K Neutral White 40K 4000K Cool White	BK Black MW Matte White

		DROP PENDANT			
WATTAGE		15W			
COLOR TEMPERATURE		27K	30K	35K	40K
TOTAL LUMENS		1685	1755	2018	2124
LUMENS PER WATT (lm/w)		112	117	135	142
CRI		90+	90+	90+	90+

MT48 MicroTrack™ TRACK HEADS

48VDC WITH INTEGRATED LED, ETL LISTED

REV 02.16.26

Accessories

	TEENY / SLIM OPTICAL LENS	GLASS LENS	LOUVER	FOCUS LENS	LINEAR SPREAD FILM
ORDERING CODE	(STATIC WHITE) OPL-SLM-NS-SW OPL-SLM-SP-SW OPL-SLM-NF-SW OPL-SLM-FL-SW	GL9-AS (ASYMMETRIC) GL9-SF (SOFT DIFFUSER)	L09-H	LF09-SF (SOFT FOCUS), LF09-MF (MEDIUM FOCUS), LF09-WF (WIDE FOCUS)	LF09-LS
LENS SIZE	ø1-5/16" (3.3cm) Diameter				
DESCRIPTIONS	NS (15°), SP (24°), NF (36°), FL (50°)	Glass Lens	Hexcell louver eliminates glare.	Soft focus lens is included with every track head. Diffuses the beam, providing uniform illumination.	1-1/8" Dia. Linear Spread Film. Linear spread film: directs the light into an elongated beam. Typical applications using 10°, 15°, 24°.

	PICO OPTICAL LENS	GLASS LENS	LOUVER	FOCUS LENS	LINEAR SPREAD FILM	
ORDERING CODE	(STATIC WHITE) OPL-PCO-NS-SW OPL-PCO-SP-SW OPL-PCO-NF-SW OPL-PCO-FL-SW	(WARM DIM) OPL-PCO-NS-WD OPL-PCO-SP-WD OPL-PCO-NF-WD OPL-PCO-FL-WD	GL10-VLS	L010-H	LF10-SF (SOFT FOCUS), LF10-MF (MEDIUM FOCUS), LF10-WF (WIDE FOCUS)	LF10-LS
LENS SIZE	ø2" (5.1cm) Diameter					
DESCRIPTIONS	NS (18°), SP (24°), NF (40°), FL (50°)	Glass Oval Spread Lens	Hexcell louver eliminates glare.	Soft focus lens is included with every track head. Diffuses the beam, providing uniform illumination.	1-1/4" Dia. Linear Spread Film. Linear spread film: directs the light into an elongated beam. Typical applications using 10°, 18°, 24°.	

	POP OPTICAL LENS	GLASS LENS	LOUVER	FOCUS LENS	LINEAR SPREAD FILM	SNOOT		
ORDERING CODE	(STATIC WHITE) OPL-POP-NS-SW OPL-POP-SP-SW OPL-POP-NF-SW OPL-POP-FL-SW	(WARM DIM) OPL-POP-NS-WD OPL-POP-SP-WD OPL-POP-NF-WD OPL-POP-FL-WD	GL16-LS	L016-H	LF16-SF (SOFT FOCUS), LF16-MF (MEDIUM FOCUS), LF16-WF (WIDE FOCUS)	LF16-LS	POP-ST-BK POP-ST-MW	POP-STA-BK POP-STA-MW
LENS SIZE	ø2-1/2" (6.4cm) Diameter							
DESCRIPTIONS	NS (15°), SP (24°), NF (36°), FL (50°)	Glass Linear Spread Lens	Hexcell louver eliminates glare. 2" Dia.	Soft focus lens is included with every track head. Diffuses the beam, providing uniform illumination.	2" Dia. Linear Spread Film. Linear spread film: directs the light into an elongated beam. Typical applications using 10°, 15°, 25°.	POP Snoot is designed to reduce spill and control glare. In Black or Matte White RAL 9003	Asymmetrical Snoot for Wall Wash with GL12-LS. Reduces spill and control glare. In Black or Matte White RAL 9003	

*Cannot be used in Groove Track

Accessories

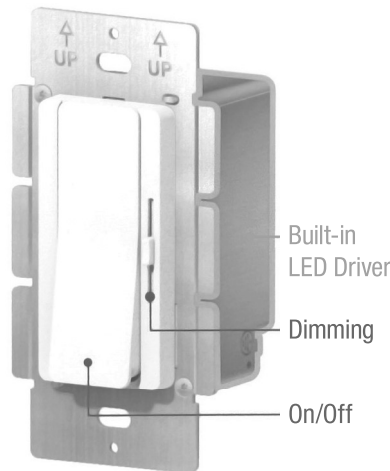
PICO & POP ZOOM		SPREAD LENS	
ACCESSORIES FOR PICO & POP		(PICO) PCZ-VLS-BK PCZ-VLS-MW	(POP) POZ-VLS-BK POZ-VLS-MW
LENS SIZE	ø2-1/2" (6.4cm) Diameter	Oval Spread Lens. In Black or Matte White	

FRAME 1 & 2		LENS FILM COLOR FILTER		GOBO LENS	
ACCESSORIES FOR FRAME 1 & 2		(FRAME COLOR LENS)		(FRAME GOBO LENS)	
		LF-FRM1-BLU LF-FRM1-RED LF-FRM1-YLW	LF-FRM2-BLU LF-FRM2-RED LF-FRM2-YLW	(FRAME 1) GB-FRM1	(FRAME 2) GB-FRM2
LENS SIZE	ø2-1/2" (6.4cm) Diameter	Frame 1 & 2 Lens Film Color filter produces beams of light. Choose for any of Rosco Color films. Custom color filters available.		Frame 1 & 2 with a Gobo lens projects your logo or design onto any surface using full color options. For custom Gobo, send your drawings and ideas to our design team: design@PureEdgeLighting.com	

MIDAS PENDANT		LOUVER	FOCUS LENS	LINEAR SPREAD FILM
ACCESSORIES FOR MIDAS PENDANT		L016-H	LF16-SF (SOFT FOCUS), LF16-MF (MEDIUM FOCUS), LF16-WF (WIDE FOCUS)	LF16-LS
LENS SIZE	ø2-1/2" (6.4cm) Diameter	Hexcell louver eliminates glare. 2" Dia.	Soft focus lens is included with every track head. Diffuses the beam, providing uniform illumination.	2" Dia. Linear Spread Film. Linear spread film: directs the light into an elongated beam. Typical applications using 10°, 15°, 25°.



PDW-100W-DIM-48VDC-WH



DESCRIPTION

Power Dim 2-in-1 is a dimmer with an integrated LED driver that converts 120VAC to low-voltage 48VDC (up to 96W). Designed for installation in a standard single-gang electrical box, it eliminates the need for separate remote drivers, simplifying installation to provide an option that is as cost-effective as it is time efficient.

PureEdge Lighting's Power Driver combines an ELV dimmer and driver in a single, wall-mounted unit. Kit includes driver/dimmer, faceplate, and mounting hardware.

The integrated design delivers smooth, flicker-free dimming and avoids driver/switch compatibility issues. Features soft start and built-in short-circuit, overload, and thermal protection. Indoor use only.

For custom quotes and layout assistance, send drawings to design@PureEdgeLighting.com.

INTEGRATED DESIGN

- Combines LED driver and dimmer into a single device
- Soft start
- Short circuit protection
- Overload protection
- Thermal overload protection
- Utilizes 6" wire leads

APPLICATIONS

Indoor

MOUNTING

Fits into a standard single-gang wall box, standard hardwire connection

POWER INPUT

- 120VAC
- Power Factor @ full load: >0.99
- THD (Typ.) @ full load: ≤10%
- Efficiency @ full load: 91.0%
- AC Current (Max.): 0.9A

POWER OUTPUT

- Class 2; 48 volts DC
- 96 watts maximum
- Voltage Tolerance: ±0.5V
- Rated current: 4A

DIMENSIONS

4.13" x 2.12" x 1.99"

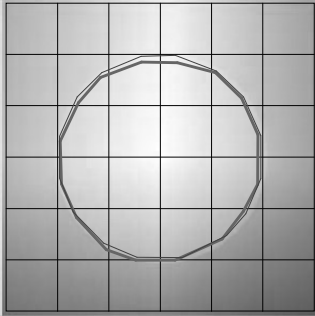
COMPLIANCE

Class 2, UL, RoHS

Product	Wattage	Control Type	Voltage	Finish
PDW	100W	DIM	48VDC	WH
PDW Power Wall Dimmer	100W 100 Watts	DIM DIM Static White	48VDC 48 Volt DC	WH White

2400K | Rf: 84.5 | Rg: 94.4

Color Vector Graphic

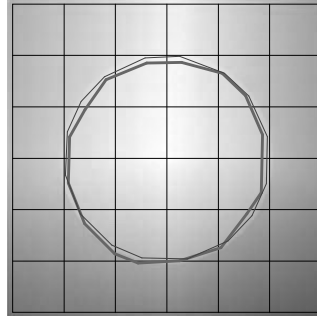


Test
 Reference

HUE BIN	Rf	GRAPHIC SHIFTS %	
		CHROMA	HUE
1	92	-2.4%	1.5%
2	94.7	-2.1%	-0.0%
3	95.4	-1.9%	-0.1%
4	88.7	-6.7%	-3.1%
5	92.8	-5.6%	1.0%
6	92.7	-3.4%	3.4%
7	89.9	-4.3%	4.1%
8	92.4	-1.4%	4.4%
9	89	-0.6%	5.8%
10	88.9	0.4%	6.2%
11	89.7	4.0%	5.4%
12	92.6	3.0%	-0.7%
13	90.9	1.1%	-7.0%
14	89.9	0.5%	-5.8%
15	92.1	-3.2%	0.1%
16	88.9	-1.7%	-6.3%

2700K | Rf: 87.7 | Rg: 96.1

Color Vector Graphic

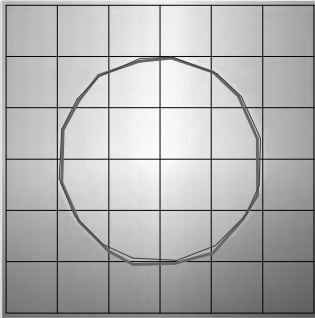


Test
 Reference

HUE BIN	Rf	GRAPHIC SHIFTS %	
		CHROMA	HUE
1	88.0	-4.3%	2.6%
2	91.6	-2.4%	2.0%
3	93.7	-1.4%	1.9%
4	88.9	-5.6%	-3.1%
5	92.3	-5.5%	-0.5%
6	92.9	-3.5%	0.1%
7	84.5	-7.5%	4.6%
8	90.8	-3.0%	4.4%
9	84.5	-1.3%	8.3%
10	83.9	2.0%	9.8%
11	87.2	5.3%	7.1%
12	89.2	5.4%	-2.6%
13	88.7	0.3%	-7.8%
14	86.8	1.7%	-9.3%
15	87.6	-5.4%	-1.3%
16	83.6	-3.3%	-9.5%

3000K | Rf: 88.1 | Rg: 99.7

Color Vector Graphic

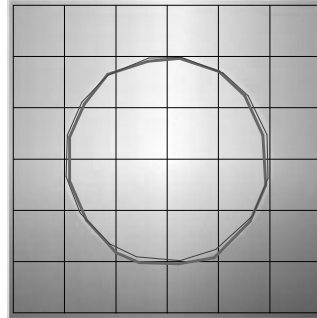


Test
 Reference

HUE BIN	Rf	GRAPHIC SHIFTS %	
		CHROMA	HUE
1	92.5	-3.1%	0.3%
2	93.3	-2.3%	1.9%
3	90.9	-0.8%	3.9%
4	94.3	-1.1%	1.4%
5	92.5	-2.6%	1.5%
6	96.4	1.2%	-0.3%
7	92.6	-2.5%	-0.0%
8	96.9	-1.4%	0.2%
9	92.3	-1.8%	4.3%
10	86.6	-0.7%	7.0%
11	86.5	2.4%	8.2%
12	89.8	5.9%	1.7%
13	93.9	2.6%	-2.7%
14	89.4	5.1%	-5.8%
15	90.1	-0.1%	-4.7%
16	86.5	0.3%	-9.7%

3500K | Rf: 86.1 | Rg: 95.5

Color Vector Graphic

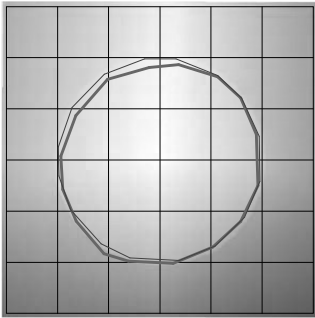


Test
 Reference

HUE BIN	Rf	GRAPHIC SHIFTS %	
		CHROMA	HUE
1	90.8	-3.8%	0.3%
2	92.3	-2.8%	2.1%
3	89.7	-1.0%	4.3%
4	92.6	-1.4%	1.7%
5	91.8	-3.1%	1.3%
6	96.2	0.8%	-0.4%
7	92.9	-3.2%	0.2%
8	94.3	-2.5%	1.5%
9	90.4	-2.5%	5.2%
10	84.3	-1.4%	9.5%
11	83.1	3.5%	9.8%
12	88.2	4.8%	3.4%
13	94.0	2.7%	-2.0%
14	88.7	5.9%	-5.8%
15	88.7	0.7%	-5.9%
16	86.8	-0.7%	-6.7%

4000K | Rf: 87.6 | Rg: 96.8

Color Vector Graphic



Test
 Reference

HUE BIN	Rf	GRAPHIC SHIFTS %	
		CHROMA	HUE
1	88.9	-2.4%	2.5%
2	93.3	-0.4%	0.8%
3	94.8	-1.0%	-0.6%
4	87.9	-4.9%	-3.6%
5	85.3	-9.4%	-2.6%
6	90.2	-6.0%	0.2%
7	85.3	-7.6%	4.6%
8	83.7	-4.1%	8.2%
9	79.5	-1.1%	13.8%
10	78.6	1.5%	12.1%
11	83.5	6.4%	7.8%
12	90.9	3.6%	-1.1%
13	88.3	1.7%	-6.3%
14	91.9	-0.4%	-2.2%
15	84.5	-0.9%	-5.5%
16	84.7	-1.1%	-4.4%