

VANISHING POINT RADIANT MEDIUM

LED 24VDC TRACK HEAD

DESIGNED BY GREGORY KAY | ASSEMBLED IN AMERICA

REV 03.03.22



VR

Vanishing Point .5" Opening Plaster-In, Remote Power supply (Order separately)



V2MR

Vanishing Point 2" Flush Canopy for Millwork Ceiling, Remote Power supply (Order separately)

DESCRIPTION

The Vanishing Point System Radiant Track Head Medium offers four distinct mounting options for drywall and millwork, allowing for the most minimal and refined architecture in almost any application. The Radiant Medium LED is offered with your choice of three beam spreads as well as field-changeable optic reflectors (optional). The flat-back cylinder with a radiant heat sink swivels 90° vertically and 360° horizontally. Available in five color temperatures, including warm dim (30D) and two finish options to choose from. Remote power supply can feed up to 9 fixtures. 97+CRI produces Designer grade color rendering. Patent Pending.

DRYWALL APPLICATIONS (PLASTER-IN)

VR - Does not show a visible canopy line, just the small (0.5") point of connection where the fixture Fast Jack stem disappears into the ceiling. 24VDC remote power supply (Order Separately).

MILLWORK APPLICATIONS

V2MR - Connection point at ceiling 2.0" canopy sits flush in Millwork ceilings for a clean look. 24VDC remote power supply (order separately).

SPECIFICATIONS

- Input Voltage 120VAC/24VDC
- Power Consumption: 11 watts 8 Warm Dim)
- Construction: Die Cast Aluminum
- Dimensions: Ø 2.34" Height 3.4"
- Color Rendering: COB Chromaticity range within a 2-step MacAdam Ellipse
- Average LED life: 60,000 hrs

REMOTE POWER SUPPLIES*, DIMMERS & CONTROLS (SOLD SEPARATELY)

24VDC, CLASS 2 WIRING

- [UNI Driver: Universal Dimming \(TRIAC, ELV, 0-10V\)](#)
- *In-Wall Mounting and drop ceiling Kits available for select power supplies

ACCESSORIES

Additional lenses can be ordered and changed in the field offered in **SP** (25°), **NFL** (35°), **FL** (45°), **WFL** (60°) beam spread options

APPLICATIONS

Designed for indoor use only in drywall and millwork, dry and damp locations. Ideal applications in Commercial, Retail, Residential, Hospitality, Education, and Healthcare Institutions.

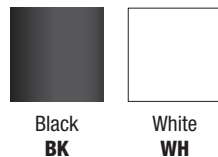
LAMPING

	BEAM ANGLE REFERENCE 45°				
COLOR TEMPERATURE	24K	27K	30K	30D	35K
TOTAL LUMENS	846	754	730	360	839
WATTS	11	11	11	8	11
LUMENS PER WATT (lm/w)	77	69	64	47	76
CRI	97	92	92	93	98
TM-30 DATA	R9: 60 Rf: 93 Rg: 98	R9: 97 Rf: 92 Rg: 100	R9: 64 Rf: 91 Rg: 98	R9: 90 Rf: 95 Rg: 102	R9: 92 Rf: 94 Rg: 101
LAMP LIFE	60,000 Hours, 70% Lumen Maintenance				

WARRANTY / LABELS

Pro-rated 5 year warranty. Assembled in America, ETL (Conforms to UL1598 and CSA 22.2 #250.0) RoHS

FINISHES



Black
BK

White
WH



VR Vanishing Point Drywall (Plaster-in) with .5" opening. Remote Power supply (order separately)
V2MR Vanishing Point 2" Flush canopy for Millwork ceiling, Remote Power supply (order separately)

RADM Radiant Medium

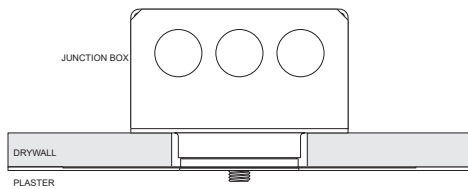
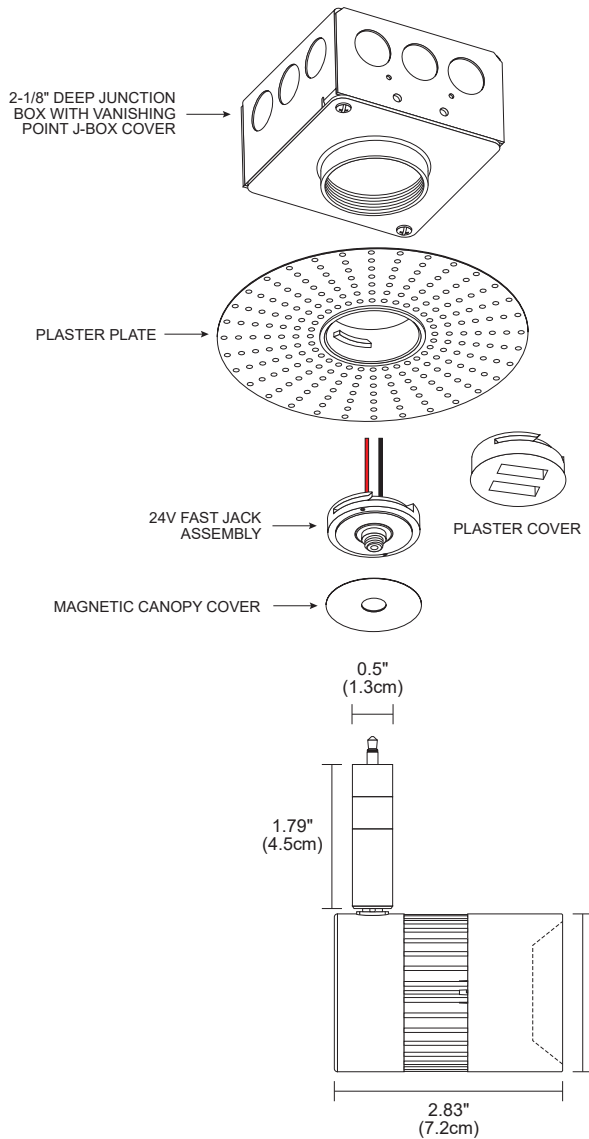
SP Spot 20°
NF Narrow Flood 35°
FL Flood 45°
WF Wide Flood 60°

24K 2400K Very Warm White
27K 2700K Incandescent White
30K 3000K Warm White
30D 3000D Warm Dim
35K 3500K Neutral White

BK Black
WH White

PROJECT	FIXTURE TYPE	DATE
---------	--------------	------

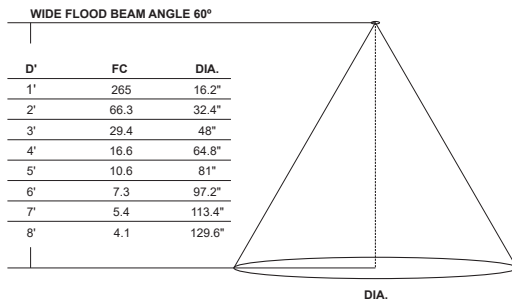
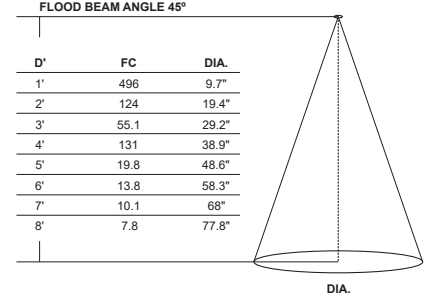
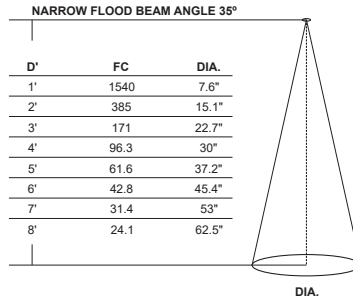
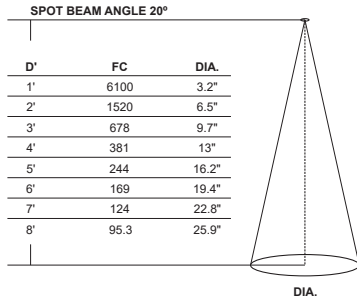
VANISHING POINT RADIANT MEDIUM LED 24VDC TRACK HEAD



PROJECT	FIXTURE TYPE	DATE
---------	--------------	------

RADIANT MEDIUM Photometric Data

D - Distance from fixture
FC - Initial foot candles at the center of beam
DIA - Diameter



ADDITIONAL LENSES & ACCESSORIES

	RADIANT MEDIUM LENS	LOUVER	FOCUS LENS	LINEAR SPREAD FILM
ORDERING CODE	STATIC WHITE LEN-RADM-SP-SW LEN-RADM-NF-SW LEN-RADM-FL-SW LEN-RADM-WF-SW WARM DIM LEN-RADM-SP-WD LEN-RADM-NF-WD LEN-RADM-FL-WD LEN-RADM-WF-WD	L011-H	LF-RADM-SF (SOFT FOCUS) MF (MEDIUM FOCUS), WF (WIDE FOCUS)	LF-RADM-LS
LENS SIZE	1.375" (35mm) Diameter	MR16 Hexcell louver accessory eliminates glare. 2" Diameter x .125" Thick.	Soft focus lens is included with every track head. Diffuses the beam, providing uniform illumination.	Linear spread film: directs the light into an elongated beam. Typical applications using 10°, 15°, 25° include illuminating landscape oriented art. 35°, 40°, 60° create an elongated oval typically used for wall washing.
BEAM SPREADS	SP (20°), NF (35°), FL (45°), WF (60°)	Hexcell louver eliminates glare. 0.125" Thickness.		

PROJECT		FIXTURE TYPE		DATE	
---------	--	--------------	--	------	--

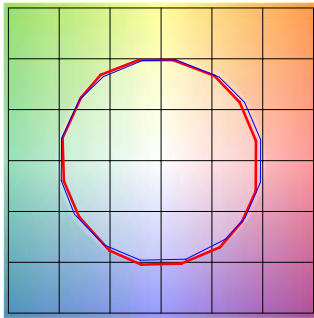
T24 TRACK HEAD TM30 DATA

LED 24VDC TRACK HEAD

TM-30-15 DATA: The data below is for Radiant Medium. Consistent color temperatures among multiple track heads is possible through a 3 phase binning process in which each order is inspected with a color meter to ensure uniformity.

2400K | Rf: 91.0 | Rg: 99.6

Color Vector Graphic

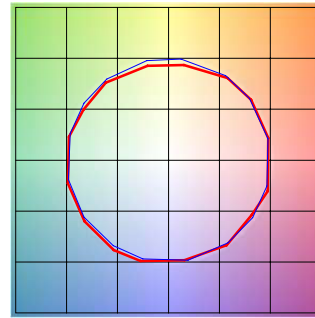


■ Test ■ Reference

		GRAPHIC SHIFTS %	
HUE BIN	Rf	CHROMA	HUE
1	90.1	-4.6%	-0.3%
2	90.6	-4.0%	2.7%
3	88.6	-1.6%	5.1%
4	93.1	-0.9%	2.7%
5	94.6	1.1%	3.3%
6	94.6	2.9%	1.0%
7	94.1	-0.2%	-2.7%
8	97.1	-0.9%	-1.2%
9	94.5	-2.4%	1.0%
10	90.3	-2.5%	4.5%
11	88.6	1.5%	7.1%
12	89.2	4.1%	1.5%
13	90.6	3.4%	-5.3%
14	84.5	3.5%	-8.9%
15	92.3	-0.5%	-4.7%
16	85.4	-2.9%	-9.4%

2700K | Rf: 93.3 | Rg: 98.8

Color Vector Graphic

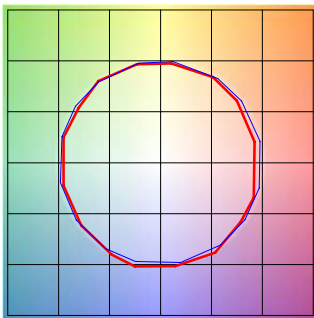


■ Test ■ Reference

		GRAPHIC SHIFTS %	
HUE BIN	Rf	CHROMA	HUE
1	95.9	0.3%	0.7%
2	95.5	0.6%	-2.0%
3	93.7	-0.8%	-2.8%
4	89.8	-5.2%	-4.0%
5	93.1	-5.2%	0.2%
6	93.9	-2.4%	2.9%
7	89.0	-3.1%	5.5%
8	93.6	0.5%	3.7%
9	92.9	1.2%	3.8%
10	92.7	2.0%	3.9%
11	93.7	3.2%	2.9%
12	93.7	2.7%	-1.8%
13	94.9	-0.7%	-3.4%
14	94.7	1.3%	-2.4%
15	92.9	-2.1%	2.0%
16	92.2	1.7%	-5.0%

3000K | Rf: 90.5 | Rg: 98.0

Color Vector Graphic

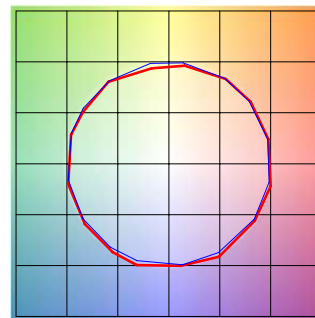


■ Test ■ Reference

		GRAPHIC SHIFTS %	
HUE BIN	Rf	CHROMA	HUE
1	88.7	-5.3%	0.5%
2	90.7	-3.6%	2.8%
3	89.4	-1.7%	4.6%
4	93.3	-2.1%	1.4%
5	94.6	-0.8%	2.2%
6	96.2	0.6%	-0.2%
7	92.5	-3.4%	-0.9%
8	96.4	-1.7%	0.5%
9	92.0	-2.4%	3.7%
10	87.3	-1.1%	7.1%
11	87.6	1.7%	8.2%
12	89.2	4.8%	0.4%
13	90.6	2.5%	-5.7%
14	86.7	3.3%	-9.0%
15	90.9	-2.4%	-3.9%
16	84.1	-3.5%	-10.3%

3500K | Rf: 93.9 | Rg: 100.9

Color Vector Graphic

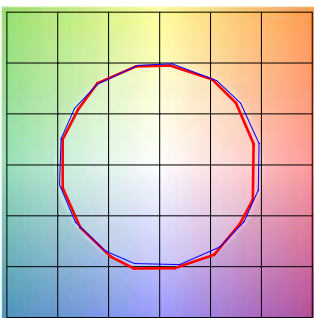


■ Test ■ Reference

		GRAPHIC SHIFTS %	
HUE BIN	Rf	CHROMA	HUE
1	95.7	0.6%	0.3%
2	96.7	0.8%	-1.2%
3	96.0	0.2%	-1.0%
4	94.3	-2.5%	-1.9%
5	93.2	-4.8%	-0.2%
6	97.1	-0.3%	1.4%
7	93.8	-1.7%	3.2%
8	97.3	0.2%	1.3%
9	93.3	0.8%	4.2%
10	91.4	1.4%	5.2%
11	90.6	2.8%	4.5%
12	92.6	4.4%	0.5%
13	96.3	0.7%	-1.9%
14	93.9	3.6%	-1.8%
15	92.4	1.2%	-0.9%
16	91.5	2.3%	-3.3%

3000D | Rf: 90.5 | Rg: 98.0

Color Vector Graphic



■ Test ■ Reference

		GRAPHIC SHIFTS %	
HUE BIN	Rf	CHROMA	HUE
1	88.7	-5.3%	0.5%
2	90.7	-3.6%	2.8%
3	89.4	-1.7%	4.6%
4	93.3	-2.1%	1.4%
5	94.6	-0.8%	2.2%
6	96.2	0.6%	-0.2%
7	92.5	-3.4%	-0.9%
8	96.4	-1.7%	0.5%
9	92.0	-2.4%	3.7%
10	87.3	-1.1%	7.1%
11	87.6	1.7%	8.2%
12	89.2	4.8%	0.4%
13	90.6	2.5%	-5.7%
14	86.7	3.3%	-9.0%
15	90.9	-2.4%	-3.9%
16	84.1	-3.5%	-10.3%

PROJECT		FIXTURE TYPE		DATE	
---------	--	--------------	--	------	--