

DESCRIPTION

PureEdge's RGB+White Soft Strip (**SS6**) provides dynamic color effects with red, green, blue plus white. Now offered with four choices of White; 2000K and special order in 2700K, 3000K, and 4000K. Our color-changing LED strip provides bright, continuous light, our focus on chromacity quality provides a balanced output across the color gamut, allowing the creation of millions of beautiful colors and pure white. The flexible strip is sold in 1 foot increments up to 16 ft with cutting increments every 3 inches. At 6.3 watts per foot, RGB+W can be controlled using a compatible 24 volt DC power supply with an integrated RGB DMX driver. SS6 includes a flexible aluminum heat sink to extend LED life. Includes 5 year pro-rated warranty.

SPECIFICATIONS

- 24VDC, Class 2
- Power Consumption: 6.3 watts per foot
- Maximum Length Before Re-feeding: 16'
- Sold in 1' increments
- Field-cuttable in 3" increments
- Operating temperature: -22°F to 140°F (-30°C to 60°C)

MOUNTING

Self-adhering SS6 mounts to most smooth finished surfaces with industrial strength 3M tape (provided on back of strip); some unfinished surfaces may require screw-in mounting clips **SS-MCL** (sold separately).

LAMP

- RGB+W: Dynamic Red, Green, Blue plus 2000K White
- Special order in 2700K, 3000K, and 4000K
- 50,000 Hour Lamp Life

REMOTE POWER SUPPLIES*, DIMMING & CONTROLS (SOLD SEPARATELY)

24VDC, CLASS 2 WIRING

- [Pure Smart™ WIZ Pro Power Supplies & Controls](#)
- [DMX Dynamic Color Changing](#)
- [Controllers](#)

*In-Wall Mounting and drop ceiling Kits available for select power supplies

ACCESSORIES (SOLD SEPARATELY)

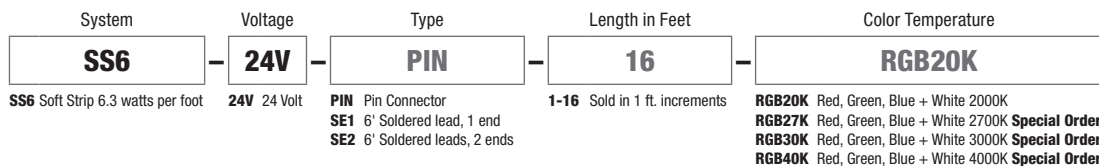
- 24VDC Power Connectors and Jumpers
- Flexible Connectors
- Mounting Straps & Clips

APPLICATIONS

Designed for any Indoor space, including Damp locations. Ideal applications in Residential, Commercial, Retail, and Hospitality environments.

APPROVALS

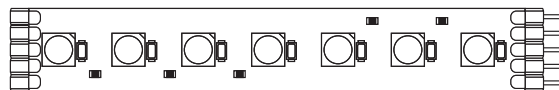
Damp Location, Class 2 wiring, ETL Listed



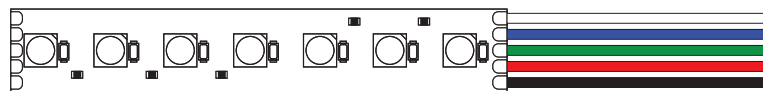
PROJECT	FIXTURE TYPE	DATE
---------	--------------	------

LED	POWER PER FT (WATTS)	MAXIMUM LENGTH	TOTAL LUMENS PER WATT	TOTAL LUMENS PER FOOT	LAMP LIFE (HOURS)	DIMMING
Red, Green, Blue, and White	6.3	16 ft before refeeding	60	378	50,000	DMX
White	3	16 ft before refeeding	78	234	50,000	DMX

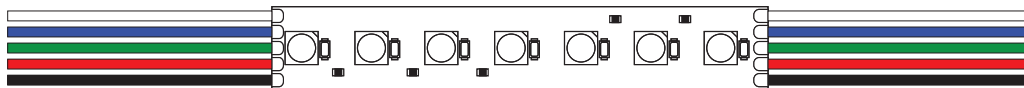
Pin Connector



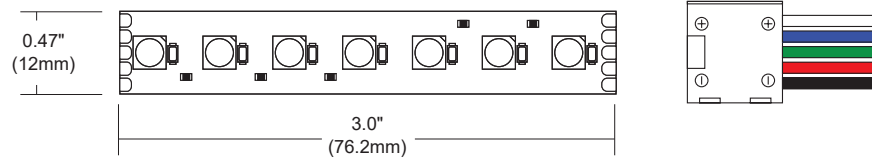
6' Soldered lead, 1 end (SE1)



6' Soldered lead, 2 ends (SE2)



Snap & Light



PROJECT		FIXTURE TYPE		DATE	
---------	--	--------------	--	------	--



Using the Snap & Light Solderless Connectors: Cutting and reconnecting our LED Strip is easy. All you need is a pair of scissors or any sharp device that will allow you to make a clean cut.

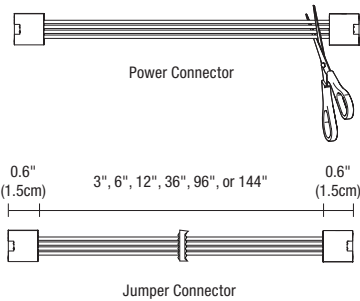
1. Cut the middle of joining contacts

2. Remove the protective coating from the contacts

3. Place the LED Strip end under the plastic guide and push it under the snap contacts

4. Close the cover

5. Snap the cover to secure in place



24VDC SOLDERLESS SNAP & LIGHT POWER/JUMPER CONNECTOR

Join 2 cut sections of LED Strip end to end. Use as a power connector is required. Use as a jumper connector is optional. To use as a power connector cut and strip the wires.

Product	Type	Size	Color Temperature
SS	SLC	12IN	RGBW
SS Stomp Strip/Soft Strip	SLC Snap & Light Jumper or Power Connectors	3IN 3 inches 36IN 36 inches 6IN 6 inches 96IN 96 inches 12IN 12 inches 144IN 144 inches	RGBW RGBW

PROJECT	FIXTURE TYPE	DATE
---------	--------------	------

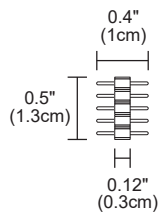
ACCESSORIES



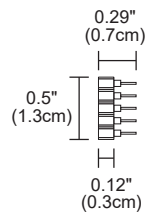
POWER FEED/FLEXIBLE CONNECTOR

Flexible connectors link two sections of LED Strip end to end. To use as a Power Feed cut off the male end, and connect to the power supply.

Product	Type	Size	Color Temperature
SS	CFX	3IN	RGBW
SS Stomp Strip/Soft Strip	CFX Flexible Connector	3IN 3 inches 6IN 6 inches 12IN 12 inches 36IN 36 inches 96IN 96 inches 144IN 144 inches	RGBW Red, Green, Blue + White



SS-ML-CON-RGBW

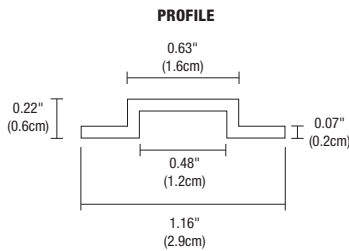
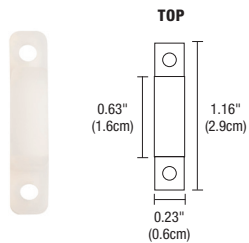


SS-FE-CON-RGBW

PIN CONNECTORS

Extra soldering pin connectors. Male and female.

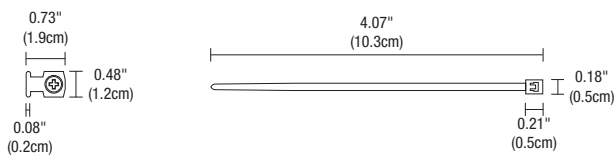
System	Product	Type	Color Temperature
SS	ML	CON	RGBW
SS Stomp Strip/Soft Strip	FE Female Connector ML Male Connector	CON Connector	RGBW Red, Green, Blue + White



U-STRAP

Use every 6-12 inches for extra support (30/package).

Product	Type
SS	SU
SS Strip Strap	SU U-Strap



TIE STRAP

Use every 6-12 inches for extra support (30/package).

Product	Type
SS	ST
SS Strip Strap	ST Tie Strap

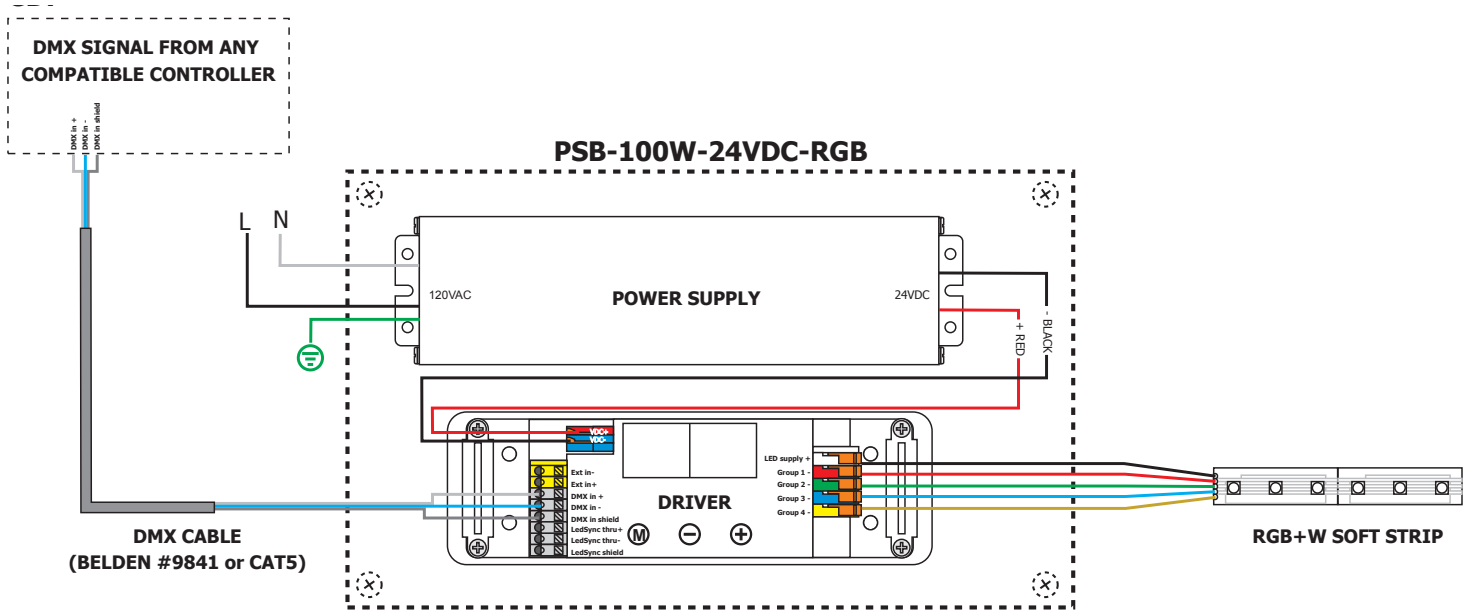
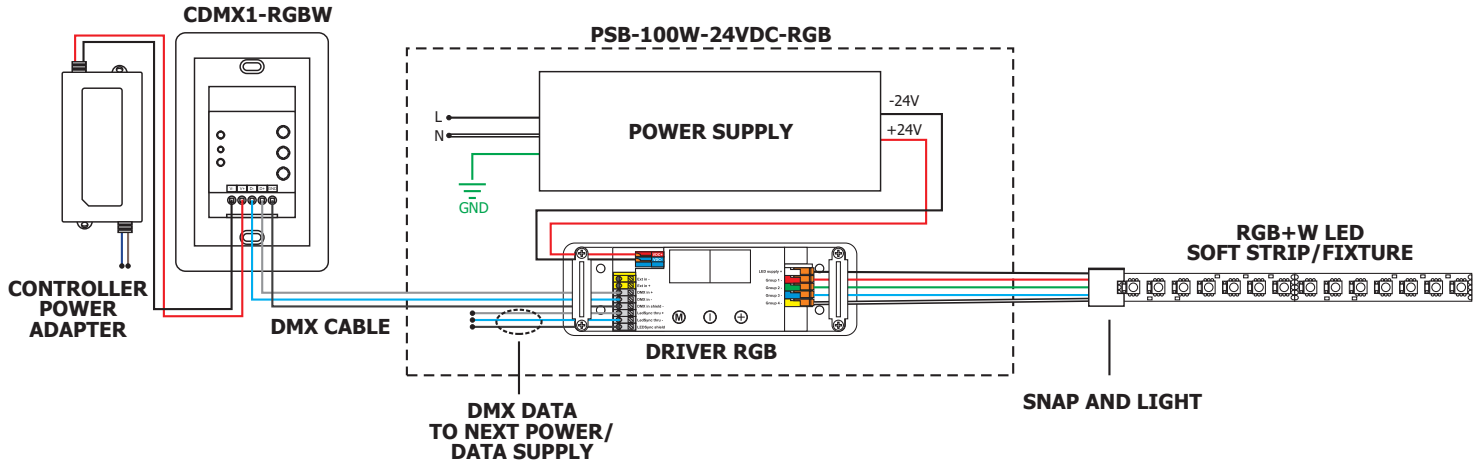
PROJECT	FIXTURE TYPE	DATE
---------	--------------	------

SOFT STRIP, RGB+ WHITE

24VDC WITH PINS & SOLDERED LEADS

INDOOR DMX SAMPLE WIRING DIAGRAMS: The examples below is are using a PureEdge Class 2, 24VDC Power Supply.

REV 09.09.22



PROJECT		FIXTURE TYPE		DATE	
---------	--	--------------	--	------	--