

SOFT STRIP, MONOCHROMATIC COLOR

24VDC WITH PINS, SOLDERED LEADS OR SNAP & LIGHT CONNECTORS

DESIGNED BY GREGORY KAY | ASSEMBLED IN AMERICA | PATENT PENDING

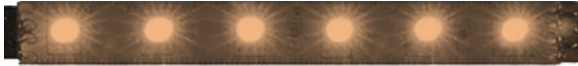
REV 04.20.22



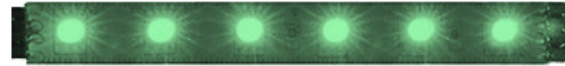
RRR - Red



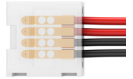
BBB - Blue



AAA - Amber



GGG - Green



DESCRIPTION

PureEdge RGB Soft Strip provides dynamic color effects with monochromatic color LEDs. Offered in Red, Amber, Blue, and Green. The 1/2" wide flexible copper strip, with an optically clear protective coating, is sold in 1ft increments up to 36 ft with cutting increments every 4 inches. Self-adhering, our strip mounts to most smooth finished surfaces with the industrial-strength 3M tape on the back. Our Soft Strip is used for our **BIY** (Build-it-Yourself) & **DIY** (Do-it-Yourself) fixtures and systems. Includes 5 year warranty.

SPECIFICATIONS

- 24VDC, Class 2
- Power Consumption: 2.6 or 5 watts per foot
- Sold in 1' increments
- Field-cutttable in 4" increments
- Operating temperature: -22°F to 140°F (-30°C to 60°C)

MOUNTING

Industrial 3M tape lines back of strip for self-adhesion to most smooth finished surfaces Additional Connectors, Mounting Straps, and Clips may be needed for some applications (sold separately).

ACCESSORIES (SOLD SEPARATELY)

- 24VDC Power Connectors and Jumpers
- Flexible Connectors
- Mounting Straps & Clips

LAMP

- Monochromatic Red, Amber, Blue, and Green
- 18 LEDs per foot
- 50,000 Hour Lamp Life

MAXIMUM LENGTHS BEFORE RE-FEEDING

- 3WDC, 2.6 watts per foot - 36'
- 5WDC, 5 watts per foot - 20'

REMOTE POWER SUPPLIES*, DIMMING & CONTROLS (SOLD SEPARATELY)

24VDC, Class 2 wiring

- [WiZ Pro Connected, Pure Smart™ Power Supplies & Controls](#)
- [UNI Driver: Universal Dimming \(TRIAC, ELV, 0-10V\)](#)
- [Electronic Low Voltage \(ELV\)†](#) 50W (fits inside junction box)
- [Lutron Hi-Lume/Ecosystem](#)

*In-Wall Mounting Kits available for select power supplies

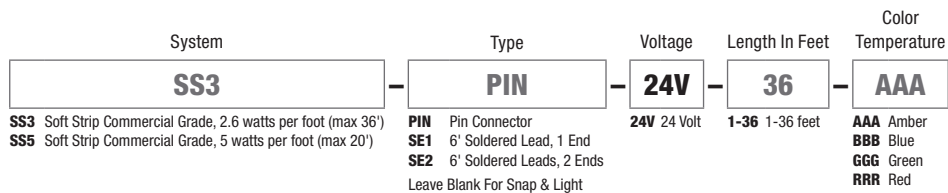
†ELV power supplies are not compatible with nlight, use only Universal power supplies

APPLICATIONS

Indoor and damp locations. Applications include coves, toe-kicks, under cabinets and shelving, bookcases, drawers, pathways, accent lighting, task lighting, and general illumination.

APPROVALS

Class 2 Wiring up to 100 watts, Damp Location Suitable, ETL listed.



PROJECT		FIXTURE TYPE		DATE	
---------	--	--------------	--	------	--

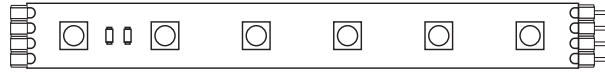
SOFT STRIP, MONOCHROMATIC COLOR

24VDC WITH PINS, SOLDERED LEADS OR SNAP & LIGHT CONNECTORS

REV 04.20.22

24VDC, PINS, SOLDERED LEADS OR SNAP & LIGHT CONNECTORS

Pin Connector



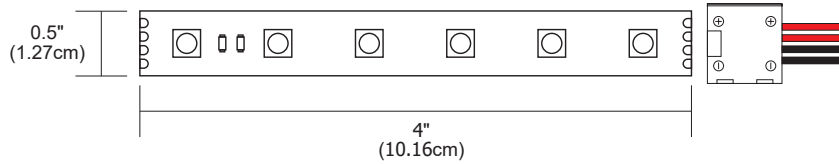
6' Soldered lead, 1 end (SE1)



6' Soldered lead, 2 ends (SE2)



Snap & Light



PROJECT	FIXTURE TYPE	DATE

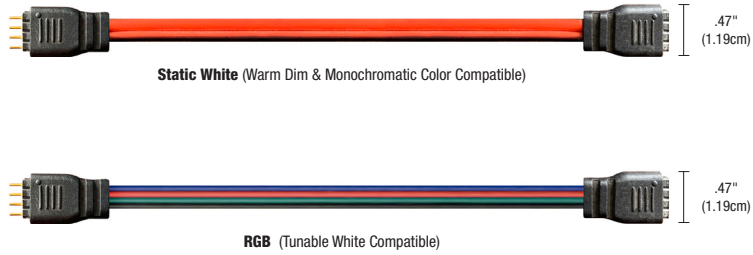
STOMP STRIP & SOFT STRIP ACCESSORIES

PIN & SOLDERING CONNECTORS

DESIGNED BY GREGORY KAY

REV 04.20.22

ACCESSORIES



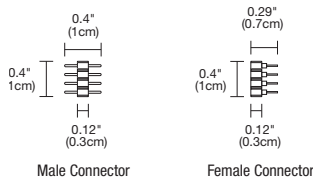
POWER FEED/FLEXIBLE CONNECTOR

Flexible connectors link two sections of LED Strip end to end. To use as a Power Feed cut off the male end, and connect to the power supply.

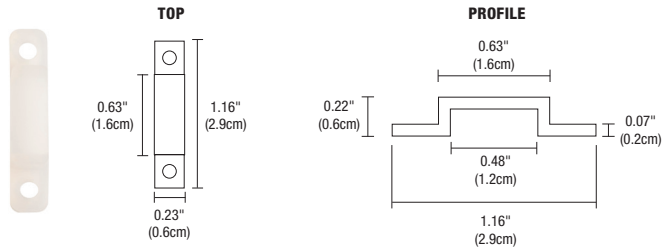
Product	Type	Size	Color Temperature
SS	CFX	3IN	
SS Stomp Strip/Soft Strip	CFX Flexible Connector	3IN 3 inches 6IN 6 inches 12IN 12 inches 36IN 36 inches 96IN 96 inches 144IN 144 inches	RGB (Tunable White Compatible) Leave Blank for Static White, Warm Dim, and Monochromatic Color

PIN CONNECTORS

Extra soldering pin connectors. Male and female.



System	Product	Type
SS	ML	CON
SS Stomp Strip/Soft Strip	FE Female Connector ML Male Connector	CON Connector



U-STRAP

Use every 6-12 inches for extra support (30/package).

Product	Type
SS	SU
SS Strip Strap	SU U-Strap

TIE STRAP

Use every 6-12 inches for extra support (30/package).

Product	Type
SS	ST
SS Strip Strap	ST Tie Strap

PROJECT	FIXTURE TYPE	DATE
---------	--------------	------

STOMP STRIP & SOFT STRIP ACCESSORIES

SNAP & LIGHT SOLDERLESS CONNECTORS



Using the Snap & Light Solderless Connectors: Cutting and reconnecting our LED Strip is easy. All you need is a pair of scissors or any sharp device that will allow you to make a clean cut.

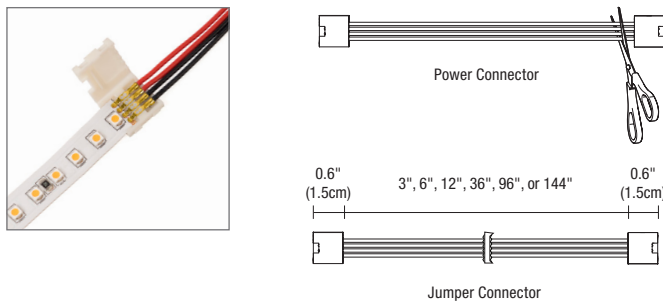
1. Cut the middle of joining contacts

2. Remove the protective coating from the contacts

3. Place the LED Strip end under the plastic guide and push it under the snap contacts

4. Close the cover

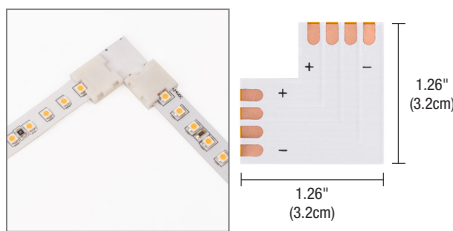
5. Snap the cover to secure in place



24VDC SOLDERLESS SNAP & LIGHT POWER/JUMPER CONNECTOR

Join 2 cut sections of LED Strip end to end. Use as a power connector is required. Use as a jumper connector is optional. To use as a power connector cut and strip the wires.

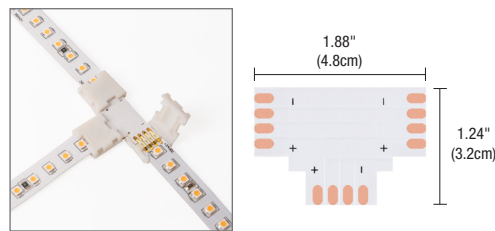
Product	Type	Size												
SS	SLC	12IN												
SS Stomp Strip/Soft Strip	SLC Snap & Light Jumper or Power Connectors	<table border="1"> <tr> <td>3IN</td> <td>3 inches</td> <td>36IN</td> <td>36 inches</td> </tr> <tr> <td>6IN</td> <td>6 inches</td> <td>96IN</td> <td>96 inches</td> </tr> <tr> <td>12IN</td> <td>12 inches</td> <td>144IN</td> <td>144 inches</td> </tr> </table>	3IN	3 inches	36IN	36 inches	6IN	6 inches	96IN	96 inches	12IN	12 inches	144IN	144 inches
3IN	3 inches	36IN	36 inches											
6IN	6 inches	96IN	96 inches											
12IN	12 inches	144IN	144 inches											



SOLDERLESS SNAP & LIGHT L-CONNECTOR

Join and conduct power to 2 sections of LED Strip in an L-shape.

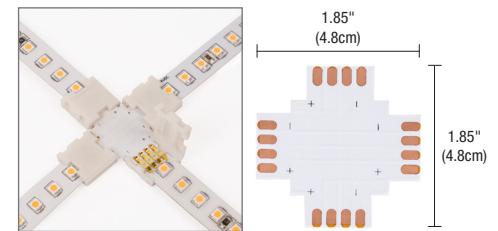
Product	Type
SS	SLL
SS Stomp Strip/Soft Strip	SLL Snap & Light L-Connector



SOLDERLESS SNAP & LIGHT T-CONNECTOR

Join and conduct power to 3 sections of LED Strip in a T-shape.

Product	Type
SS	SLT
SS Stomp Strip/Soft Strip	SLT Snap & Light T-Connector



SOLDERLESS SNAP & LIGHT X-CONNECTOR

Join and conduct power to 4 sections of LED Strip in an X-shape.

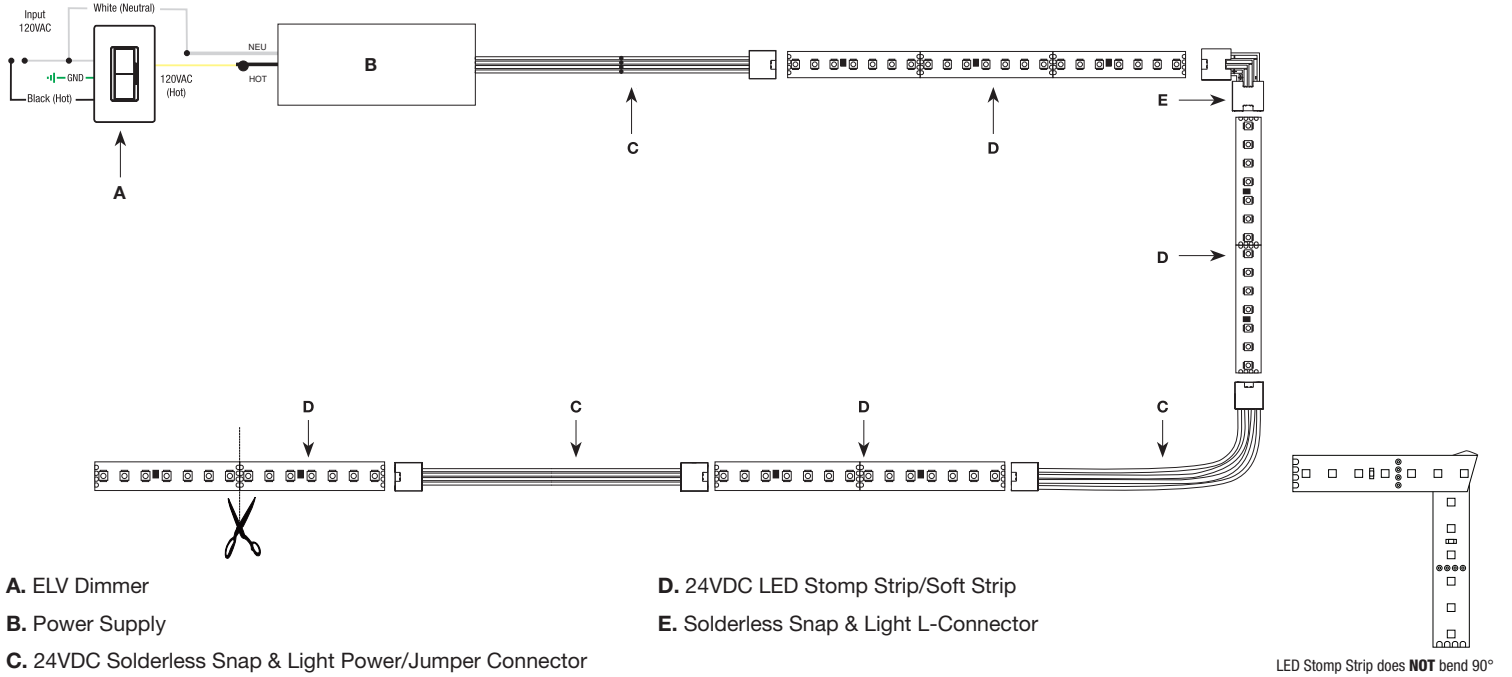
Product	Type
SS	SLX
SS Stomp Strip/Soft Strip	SLX Snap & Light X-Connector

PROJECT	FIXTURE TYPE	DATE
---------	--------------	------

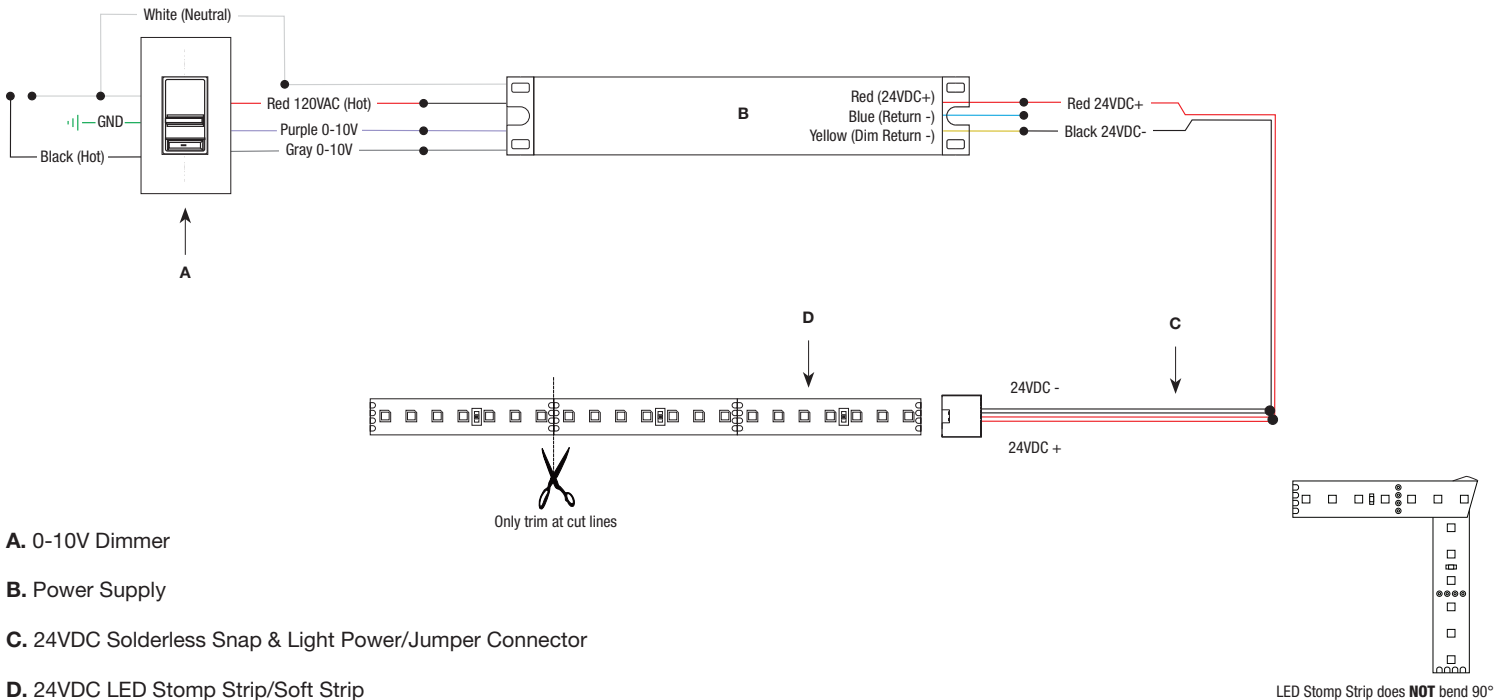
STOMP STRIP & SOFT STRIP ACCESSORIES

SNAP & LIGHT SOLDERLESS CONNECTORS

INDOOR ELECTRONIC LOW VOLTAGE DIMMING (ELV) SAMPLE WIRING DIAGRAM: The example below is using a Class 2, 24VDC Power Supply.



INDOOR 0-10 VOLT DIMMING SAMPLE WIRING DIAGRAM: The example below is using a Class 2, 24VDC Power Supply.



PROJECT	FIXTURE TYPE	DATE