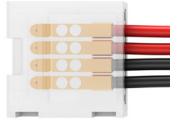


# SOFT STRIP, RGB

## 24VDC WITH PINS, SOLDERED LEADS OR SNAP & LIGHT CONNECTORS

DESIGNED BY GREGORY KAY | ASSEMBLED IN AMERICA

REV 09.08.22



### DESCRIPTION

PureEdge RGB Soft Strip provides dynamic color effects with red, green and blue LEDs. Our color-changing LED strip provides bright, continuous light offered in two wattage options of 3 or 5 watts per foot. PureEdge's focus on chromacity quality provides a balanced output across the color gamut, allowing the creation of millions of beautiful colors. The flexible strip is sold in 1 foot increments. RGB Soft Strip can be controlled using a compatible 24 volt DC power supply with an integrated RGB DMX driver. Includes a flexible aluminum heat sink to extend LED life. Both Stomp Strip and Soft Strip are used for our **BIY** (Build-it-Yourself) & **DIY** (Do-it-Yourself) fixtures and systems.

### SPECIFICATIONS

- 24VDC, Class 2
- Power Consumption: 2.6 or 5 watts per foot
- Maximum Lengths Before Re-feeding: SS3- 36', SS5- 20'
- Sold in 1' increments
- Field-cuttable in increments: SS3- 4" SS5- 2.4"
- Operating temperature: -22°F to 140°F (-30°C to 60°C)

### MAXIMUM LENGTHS BEFORE RE-FEEDING

SS3, 2.6 watts per foot - 36'  
 SS5, 5 watts per foot - 20'

### MOUNTING

Self-adhering Soft Strip mounts to most smooth finished surfaces with industrial strength 3M tape (provided on back of strip); some unfinished surfaces may require screw-in mounting clips **SS-MCL** (sold separately).

### LAMP

- RGB: Dynamic Red, Green, and Blue
- Wattage options: 3 or 5 watts
- 50,000 Hour Lamp Life

### ACCESSORIES (SOLD SEPARATELY)

- 24VDC Power Connectors and Jumpers
- Flexible Connectors
- Mounting Straps & Clips

### REMOTE POWER SUPPLIES\*, DIMMING & CONTROLS (SOLD SEPARATELY)

24VDC, Class 2 wiring

- [DMX Dynamic Color Changing](#)
- [Controllers](#)

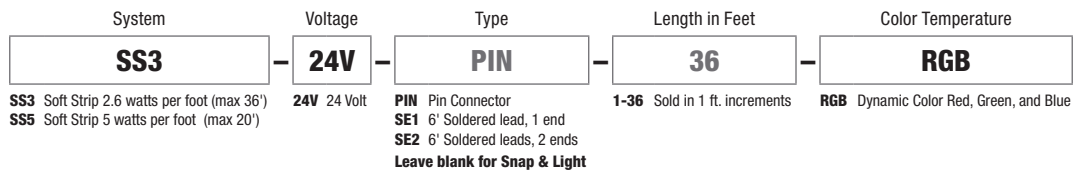
\*In-Wall Mounting and drop ceiling Kits available for select power supplies

### APPLICATIONS

Designed for any Indoor space, including Damp locations. Ideal applications in Residential, Commercial, Retail, and Hospitality environments.

### APPROVALS

Damp Location, Class 2 wiring, ETL Listed



PROJECT		FIXTURE TYPE		DATE	
---------	--	--------------	--	------	--

# SOFT STRIP, RGB

24VDC WITH PINS, SOLDERED LEADS OR SNAP & LIGHT CONNECTORS

Pin Connector



6' Soldered lead, 1 end (SE1)



6' Soldered lead, 2 ends (SE2)



Snap & Light



PROJECT		FIXTURE TYPE		DATE	
---------	--	--------------	--	------	--

# STOMP STRIP & SOFT STRIP ACCESSORIES

## SNAP & LIGHT SOLDERLESS CONNECTORS



**Using the Snap & Light Solderless Connectors:** Cutting and reconnecting our LED Strip is easy. All you need is a pair of scissors or any sharp device that will allow you to make a clean cut.

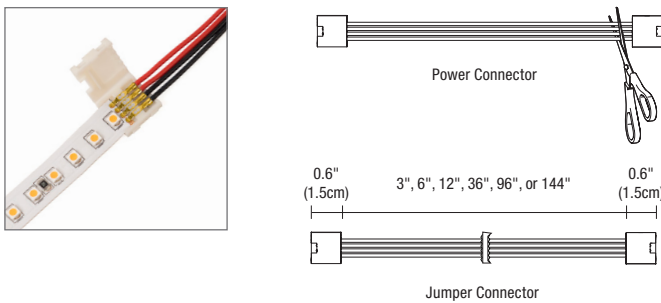
1. Cut the middle of joining contacts

2. Remove the protective coating from the contacts

3. Place the LED Strip end under the plastic guide and push it under the snap contacts

4. Close the cover

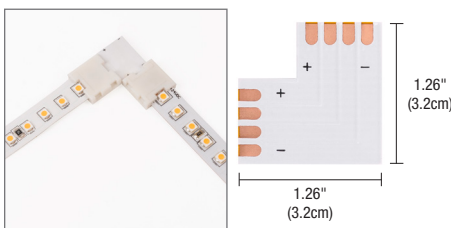
5. Snap the cover to secure in place



### 24VDC SOLDERLESS SNAP & LIGHT POWER/JUMPER CONNECTOR

Join 2 cut sections of LED Strip end to end. Use as a power connector is required. Use as a jumper connector is optional. To use as a power connector cut and strip the wires.

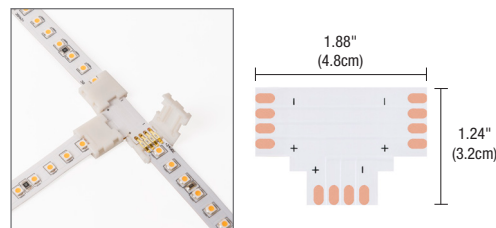
Product	Type	Size												
<b>SS</b>	<b>SLC</b>	<b>12IN</b>												
SS Stomp Strip/Soft Strip	SLC Snap & Light Jumper or Power Connectors	<table border="1"> <tr> <td><b>3IN</b></td> <td>3 inches</td> <td><b>36IN</b></td> <td>36 inches</td> </tr> <tr> <td><b>6IN</b></td> <td>6 inches</td> <td><b>96IN</b></td> <td>96 inches</td> </tr> <tr> <td><b>12IN</b></td> <td>12 inches</td> <td><b>144IN</b></td> <td>144 inches</td> </tr> </table>	<b>3IN</b>	3 inches	<b>36IN</b>	36 inches	<b>6IN</b>	6 inches	<b>96IN</b>	96 inches	<b>12IN</b>	12 inches	<b>144IN</b>	144 inches
<b>3IN</b>	3 inches	<b>36IN</b>	36 inches											
<b>6IN</b>	6 inches	<b>96IN</b>	96 inches											
<b>12IN</b>	12 inches	<b>144IN</b>	144 inches											



### SOLDERLESS SNAP & LIGHT L-CONNECTOR

Join and conduct power to 2 sections of LED Strip in an L-shape.

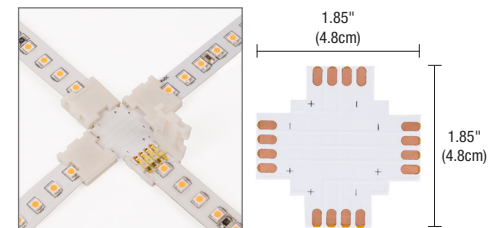
Product	Type
<b>SS</b>	<b>SLL</b>
SS Stomp Strip/Soft Strip	SLL Snap & Light L-Connector



### SOLDERLESS SNAP & LIGHT T-CONNECTOR

Join and conduct power to 3 sections of LED Strip in a T-shape.

Product	Type
<b>SS</b>	<b>SLT</b>
SS Stomp Strip/Soft Strip	SLT Snap & Light T-Connector



### SOLDERLESS SNAP & LIGHT X-CONNECTOR

Join and conduct power to 4 sections of LED Strip in an X-shape.

Product	Type
<b>SS</b>	<b>SLX</b>
SS Stomp Strip/Soft Strip	SLX Snap & Light X-Connector

PROJECT	FIXTURE TYPE	DATE
---------	--------------	------

# STOMP STRIP & SOFT STRIP ACCESSORIES

## PIN & SOLDERING CONNECTORS

DESIGNED BY GREGORY KAY

REV 09.08.22

### ACCESSORIES



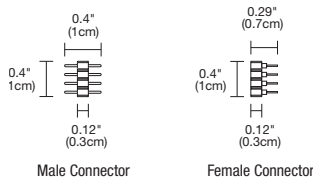
### POWER FEED/FLEXIBLE CONNECTOR

Flexible connectors link two sections of LED Strip end to end. To use as a Power Feed cut off the male end, and connect to the power supply.

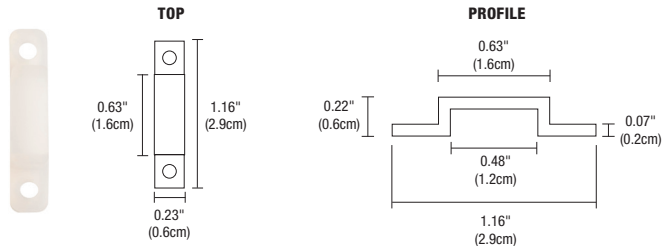
Product	Type	Size	Color Temperature
<b>SS</b>	<b>CFX</b>	<b>3IN</b>	
<b>SS</b> Stomp Strip/Soft Strip	<b>CFX</b> Flexible Connector	<b>3IN</b> 3 inches <b>6IN</b> 6 inches <b>12IN</b> 12 inches <b>36IN</b> 36 inches <b>96IN</b> 96 inches <b>144IN</b> 144 inches	<b>RGB</b> (Tunable White Compatible) <b>Leave Blank for Static White, Warm Dim, and Monochromatic Color</b>

### PIN CONNECTORS

Extra soldering pin connectors. Male and female.



System	Product	Type
<b>SS</b>	<b>ML</b>	<b>CON</b>
<b>SS</b> Stomp Strip/Soft Strip	<b>FE</b> Female Connector <b>ML</b> Male Connector	<b>CON</b> Connector



### U-STRAP

Use every 6-12 inches for extra support (30/package).

Product	Type
<b>SS</b>	<b>SU</b>
<b>SS</b> Strip Strap	<b>SU</b> U-Strap

### TIE STRAP

Use every 6-12 inches for extra support (30/package).

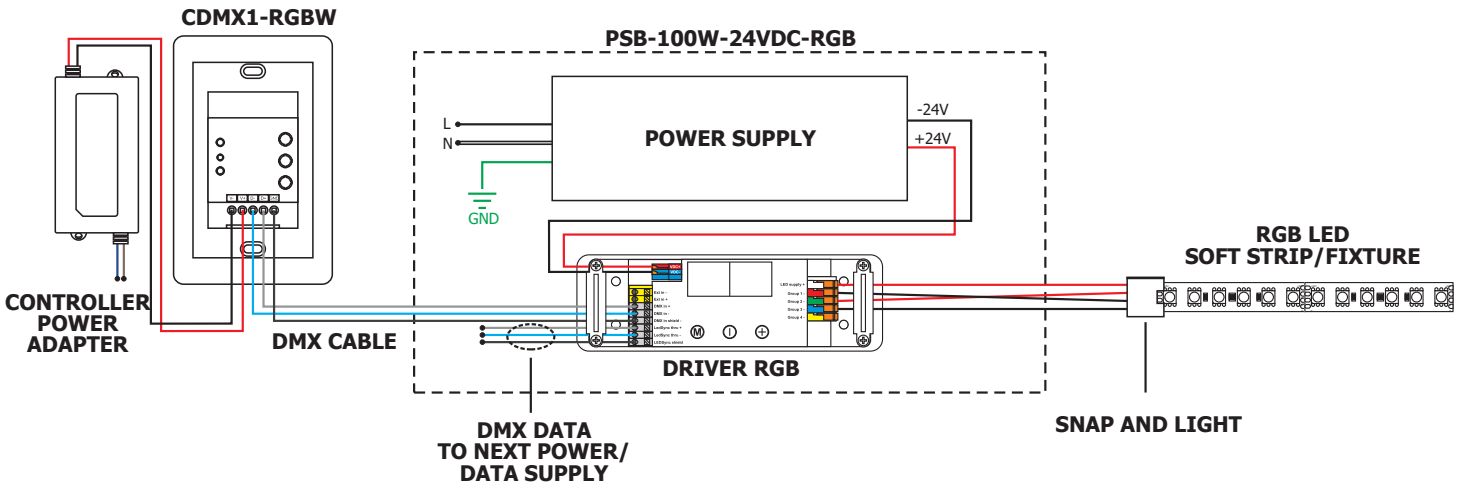
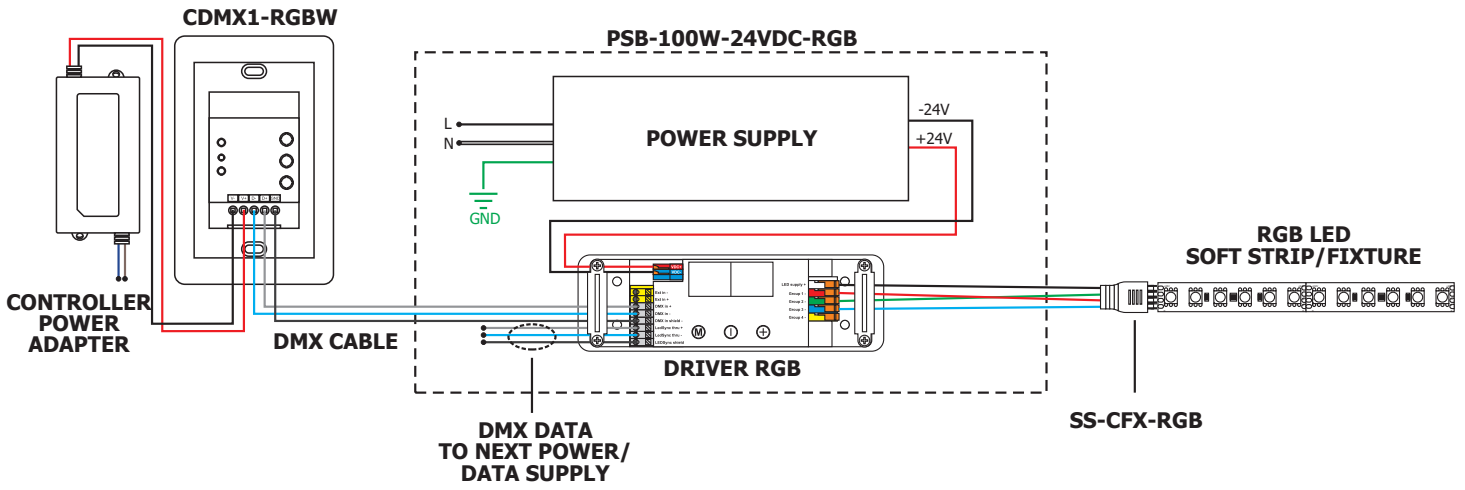
Product	Type
<b>SS</b>	<b>ST</b>
<b>SS</b> Strip Strap	<b>ST</b> Tie Strap

PROJECT	FIXTURE TYPE	DATE
---------	--------------	------

# SOFT STRIP, RGB

24VDC WITH PINS, SOLDERED LEADS OR SNAP & LIGHT CONNECTORS

**INDOOR DMX SAMPLE WIRING DIAGRAMS:** The examples below is are using a PureEdge Class 2, 24VDC Power Supply.



PROJECT		FIXTURE TYPE		DATE	
---------	--	--------------	--	------	--