



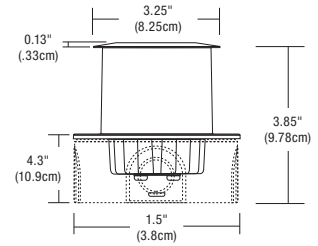
SUN3

LED UPLIGHT OR STEP LIGHT - INDOOR/OUTDOOR

DESIGNED BY GREGORY KAY | ASSEMBLED IN AMERICA



REV 11.14.23



Indoor Octagon Junction Box
Supplied By Electrician

Description:

The 3" recessed round or square SUN3 LED has a 8.8 watt, high powered warm white LED and features a 16°, 23°, 36° or 47° precise focus, tempered glass lens with marine-grade aluminum beveled edge trim. The fixture is rated for outdoor/ ocean front environments using a wet location electrical box or indoor using a standard octagon electrical box. The trim accepts Dichronic color filters which are used with SUN3-LL(H). Order junction box cover, wood spring clips and remote transformer separately. Fixture includes 5 year warranty.

Finish: Satin Aluminum **Weight:** 1.8 lb (.82 kg)

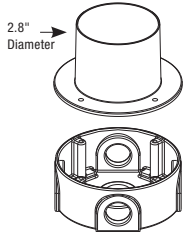
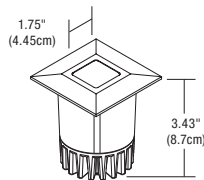
Lamp Specification:

70% lumen maintenance based on 50,000 hours of operation.

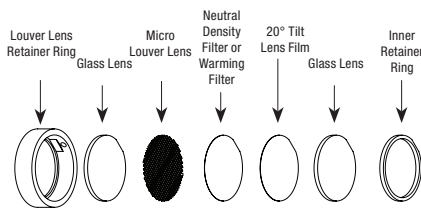
LED 8.8W Warm white, 2968K, 94+ CRI

At 16 degrees, 49 lumens per watt: 427 total lumens

LENS/ BEAM SPREAD	WATTS	CBCP	RATED LIFE	COLOR TEMP(K)	CRI
L1 = 16 Degree	8.8	1651	50,000	2,968	94+
L2 = 23 Degree	8.8	1682	50,000	2,968	94+
L3 = 36 Degree	8.8	644	50,000	2,968	94+
L4 = 47 Degree	8.8	595	50,000	2,968	94+



Wet Location Round Junction
Box Supplied By Electrician



SUN3-LL

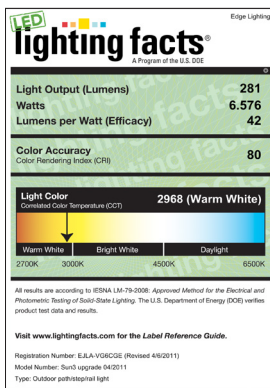
Transformers:

Electronic TE-60L-12; Magnetic T-150-12, T-300-12

Dimming:

Dimmable with electronic low voltage dimmer using TE-60L-12 (sold separately). Lutron dimmers recommended: Dims to 9% with Diva #DVELV-300P; 21% with Skylark #SELV-300P; 31% with Maestro #MAELV-600.

Dimmable with magnetic low voltage dimmer using T-150-12 (sold separately). Lutron dimmers recommended: Dims to 16% with Diva #DVLV-600P; 39% with Skylark #SLV-600P



Lighting Facts Label reflects test data for Sun3 with 16 degree lens (L1). See Lamp Specification section above for additional details.

Product	Description	Lamp	Color Temperature	Finish
SUN3	HDL1	RD	WW	SA
SUN3 Sun3	HDL1 16 Degree Lens HDL2 23 Degree Lens HDL3 36 Degree Lens HDL4 47 Degree Lens	RD Round SQ Square	WW 3000K Warm White	SA Satin Aluminum

Product	Description
SUN3	JC
SUN3 Sun3	JC Junction Cover LL 2" Louver with 20° Beam Tilt Lens, Neutral Density Filter, Warming Filter LLH Louver Lens Holder

Product	Type
SC	WO
SC Spring Clip	WO Wood

PROJECT	FIXTURE TYPE	DATE



SUN3

LED UPLIGHT OR STEP LIGHT - INDOOR/OUTDOOR

DESIGNED BY GREGORY KAY | ASSEMBLED IN AMERICA

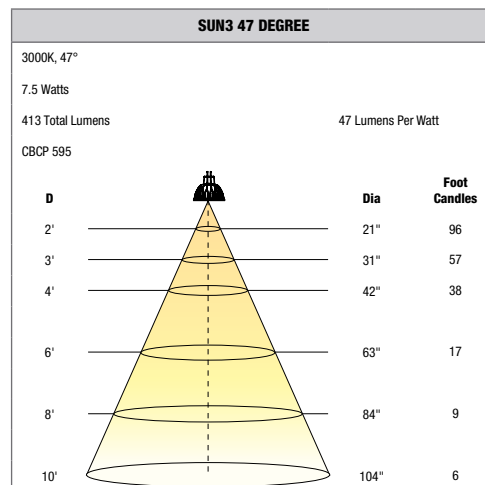
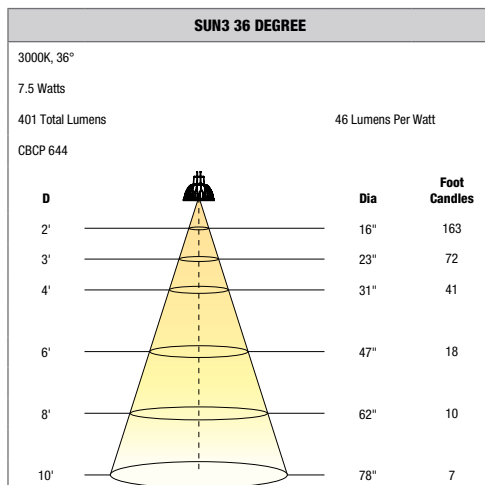
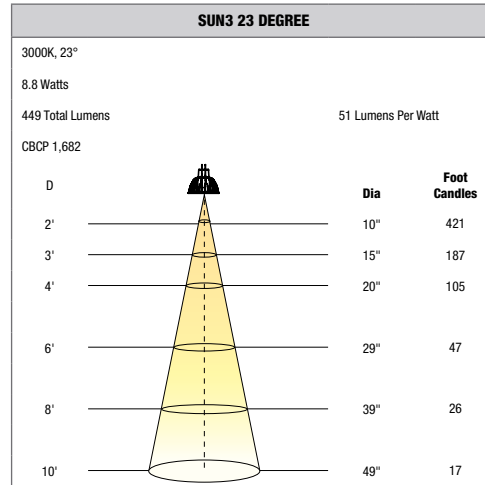
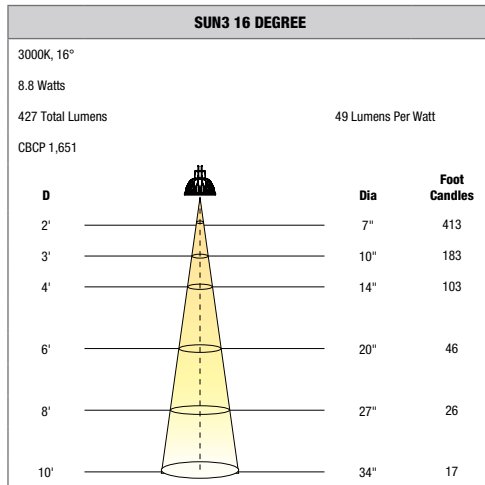


REV 11.14.23

SUN3 LED Uplight Or Step Light - Indoor/Outdoor: Lens Data

LENS/ BEAM SPREAD	WATTS	TOTAL LUMENS	CBCP	RATED LIFE	COLOR TEMP (K)	CRI
L1 = 16 Degree	8.8	427	1651	50,000	3000K	94+
L2 = 23 Degree	8.8	449	1682	50,000	3000K	94+
L3 = 36 Degree	8.8	401	644	50,000	3000K	94+
L4 = 47 Degree	8.8	413	595	50,000	3000K	94+

SUN3 LED Uplight Or Step Light - Indoor/Outdoor: Lamp Data



PROJECT		FIXTURE TYPE		DATE	
---------	--	--------------	--	------	--



SUN3

LED UPLIGHT OR STEP LIGHT - INDOOR/OUTDOOR



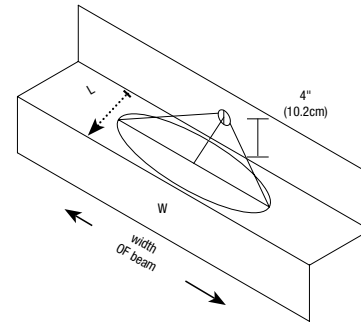
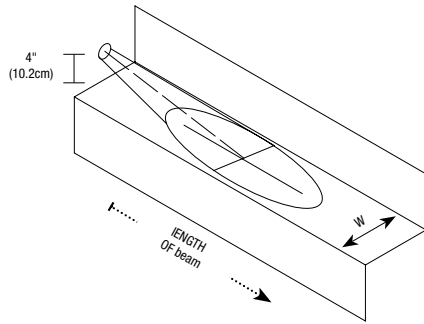
DESIGNED BY GREGORY KAY | ASSEMBLED IN AMERICA

REV 11.14.23

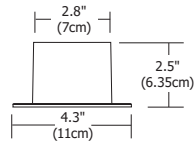
SUN3 LED Uplight Or Step Light - Indoor/Outdoor: Mounting-Wall and Step

WALL MOUNT - SUN3 With LF2-20D and Micro Louver			
LENGTH	FC (WITH OPPOSITE WALL WHITE)	FC (WITH OPPOSITE WALL BLACK)	WIDTH
3"	370	369	2"
12"	194	192	3.5"
21"	12	12	7"
30"	3	2.6	13"
39"	2	0.9	14"
48"	5.7	0.7	18.5"

STEP MOUNT - SUN3 With LF2-20D, LF2-LS and Micro Louver		
LENGTH	FC	WIDTH
3"	159	8"
6"	182	11.5"
9"	116	11.5"
12"	49	12.3"



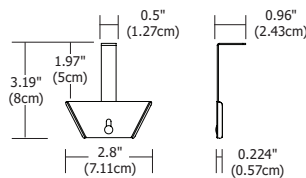
SUN3 LED Uplight Or Step Light - Indoor/Outdoor: Components



Junction Cover

Use indoor with standard octagon electrical box or use outdoor with wet location electrical box.

Product	Description
SUN3	JC
SUN3 Sun3	JC Junction Cover



Spring Clip

Use the Spring Clip to recess Sun3 into outdoor wood steps, decks, etc. without junction box.

Product	Type
SC	WO
SC Spring Clip	WO Wood

PROJECT	FIXTURE TYPE	DATE
---------	--------------	------



SUN3

LED UPLIGHT OR STEP LIGHT - INDOOR/OUTDOOR



DESIGNED BY GREGORY KAY | ASSEMBLED IN AMERICA

REV 11.14.23

SUN3 LED Uplight or Step Light - Indoor/Outdoor: Components



Sun3 Louver Lens Holder

Louver Lens Holders secure onto front of the lamp holding up two lenses or combination of a hexcell louver and lens. Required for securing louvers, lenses and filters in the Sun3.

Accessory		Type	
SUN3	-	LLH	
SUN3 Sun3		LLH Louver Lens Holder	



Hexcell Louver

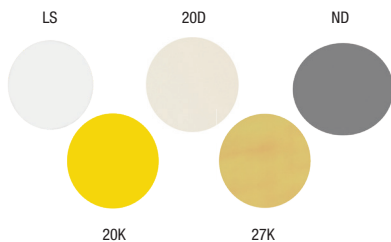


Micro Louver

Hexcell and Micro Louver

The Hexcell Louver eliminates glare from the light beam. The Micro Louver used in step lighting requires both the louver lens holder #SUN3-LLH and the 20 degree filter #LF2-20D.

Accessory		Type	
L016	-	H	
L016 MR16		H M Hexcell Micro Louver	



Film Lenses and Filters

Add film lenses and filters to shape beam, change color or adjust color temperatures.

Lens Film		Lens or Color	
LF2	-	20D	
LF2 Lens Film 2" diameter		20D 20K 27K ND LS	Refracts beam 20° down Dichroic 2000K Very Warm White Dichroic 2000K + Color Correction Film = 2700K Neutral Density Filter dims light 50% Linear Spread

PROJECT		FIXTURE TYPE		DATE	
---------	--	--------------	--	------	--



SUN3

LED UPLIGHT OR STEP LIGHT - INDOOR/OUTDOOR

DESIGNED BY GREGORY KAY | ASSEMBLED IN AMERICA



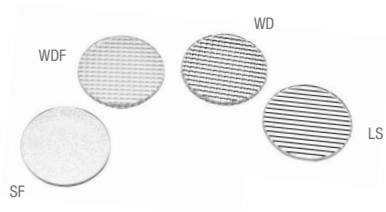
REV 11.14.23



Dichronic Glass Lens

Dichronic lenses operate on a passive-reflective basis, reflecting unused wavelengths while passing wanted portions of spectrum. Dichroics are high in transmission, producing brighter, cleaner, saturated colors. Louver lens holder #SUN3-LLH not required.

Accessory Lens		Dichronic Color	
L16		RD	
L16	MR16	RD	Red
		YL	Yellow
		PH	Peach
		DP	Dark Pink



Optical Lens

The soft focus lens reduces lamp glare, spread lenses elongate and diffuser lenses diffuse the light beam. Louver lens holder #SUN3-LLH not required.

Accessory Lens		Optical Type	
L16		F	
L16	MR16	SF	Soft Focus
		WD	Wide Diffuser
		WDF	Wide Diffuser Frost
		LS	Linear Spread

PROJECT		FIXTURE TYPE		DATE	
---------	--	--------------	--	------	--



SUN3

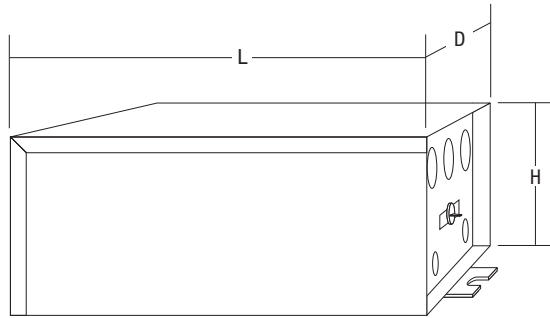
LED UPLIGHT OR STEP LIGHT - INDOOR/OUTDOOR



DESIGNED BY GREGORY KAY | ASSEMBLED IN AMERICA

REV 11.14.23

SUN3 LED Uplight or Step Light - Indoor/Outdoor: Transformers



Low Voltage Feed Wire Size Chart

Use to decide the correct copper wire size for a recommended 3 percent voltage drop. The length shown is the length of wire from the transformer to the power feed canopy/J-Box.

Low Voltage Feed Wire Size Chart				
12 VOLT	5 FT.	6-15 FT.	16-20 FT.	21-40 FT.
150 WATT	#12 GA	#10 GA	#8 GA	#6 GA
300 WATT	#10 GA	#8 GA	#6 GA	#4 GA

Description:

The 150 or 300 watt 12 volt magnetic remote mount transformers convert line voltage into 12 volt power and are protected by fast-acting circuit breakers. All 12 volt remote magnetic transformers are LED compatible with 12 volt AC LEDs.

Power Input

T-150-12	T-300-12
120 Volt AC 1.25 Amp	120 Volt AC 2.5 Amp
230 Volt AC 0.65 Amp	230 Volt AC 1.3 Amp
277 Volt AC 0.54 Amp	277 Volt AC 1.1 Amp

Power Output

T-150-12	T-300-12
12 volt AC 150 watt 12.5 Amp	12 volt AC 300 watt 25 Amp

Installation:

Remote magnetic transformers must be installed in an accessible location, such as an attic or in a closet, up to 20 feet from the power feed canopy. Outdoor version available.

Dimming:

Dims with Lutron Skylark or Diva magnetic low voltage dimmer. Compatible magnetic dimmers are connected on the line voltage side of transformers. Some buzzing may occur at low levels and may be reduced with a de-buzzing coil. Visit www.edgelighting.com for up-to-date LED dimming information.

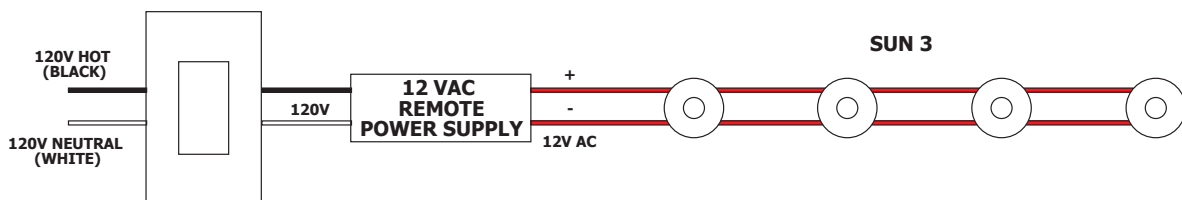
Dimensions:

8.75"(L) x 4.4"(D) x 3.8"(H)
(22.2cm x 11.2cm x 9.7cm)

Weight:

8.41 lb (3.81 kg)

Product	Power	Voltage Output	Voltage Input	Type
T	150	12	Standard 120V (Leave Blank)	Standard Indoor (Leave Blank)
T Remote Transformer	150 150 Watt 300 300 Watt	12 12 Volt	2 230V 50Hz 3 277V 60Hz	0 Outdoor



PROJECT	FIXTURE TYPE	DATE
---------	--------------	------