

DESCRIPTION

This innovative, two-circuit TruTrack® system features magnetic track head connectors. TruTrack® is a plaster-in recessed 24VDC two circuit track system allowing for two groups of fixtures to switch and dim independently. Only as thick as the 5/8" drywall, the TruTrack® patented design is precision engineered to blend seamlessly within drywall surfaces, eliminating the need for joist modification, and provides more flexibility to make turns along the ceiling. For a clean architectural aesthetic, a paintable slot cover is supplied with TruTrack® leaving only the track head visible once installed.

FEATURES

- Two-circuit system, with two power supplies, allow for independent switching and dimming
- Magnetic Track Heads easily attach to the track and adjust, tilt, and rotate using a single hand with easy installation while on a ladder.
- Designed for use with 24VDC Universal Remote Power Supplies up to 40' away
- Magnetic Track Heads are available in five color temperatures including Warm Dim **(30D)**
- Track Head Lumen Output up to 1256 Lumens with multiple fixed and adjustable beam spread options
- Designer-grade Color Rendering 95CRI
- Power Feeds offered in End, Center, L, T and X shapes, up to two 200 Watt power supplies before re-feeding, 800 Watts (4 x up to 200W) at Center Feed
- Recessed TruTrack® Channel is available in 2', 4', 6' and 8' lengths, with the ability to be cut in the field
- Opaque White Plastic Slot Cover is included with TruTrack® Channel to hide Recessed Track Slot and may be painted to match the ceiling

FINISH & MATERIAL

- White Powder Coat
- Extruded Aluminum Channel, conductors are a pair of #10 Gauge Copper Busbar

POWER SUPPLY AND DIMMING (SOLD SEPARATELY)

24VDC, Remote Power

- **UNI Driver:** Universal Dimming (**TRIAC, ELV, 0-10V**)

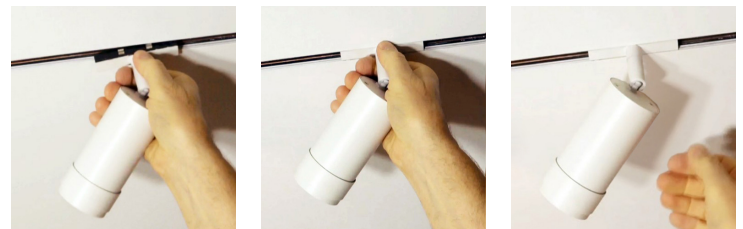
*In-Wall Mounting and drop ceiling Kits available for select power supplies

APPLICATIONS

Indoor use only. Ideal applications in residential, commercial, retail and hospitality environments.

WARRANTY / LABELS

5 year pro-rated warranty. Assembled in America
ETL (Conforms to UL 1598 and CSA 22.2 #250.0), Class 2 Under 100 Watts, 200 Watt UL2108



Magnetic Track Heads Easily Click Into Place

TruTrack® 5/8" Drywall Recessed Lighting:

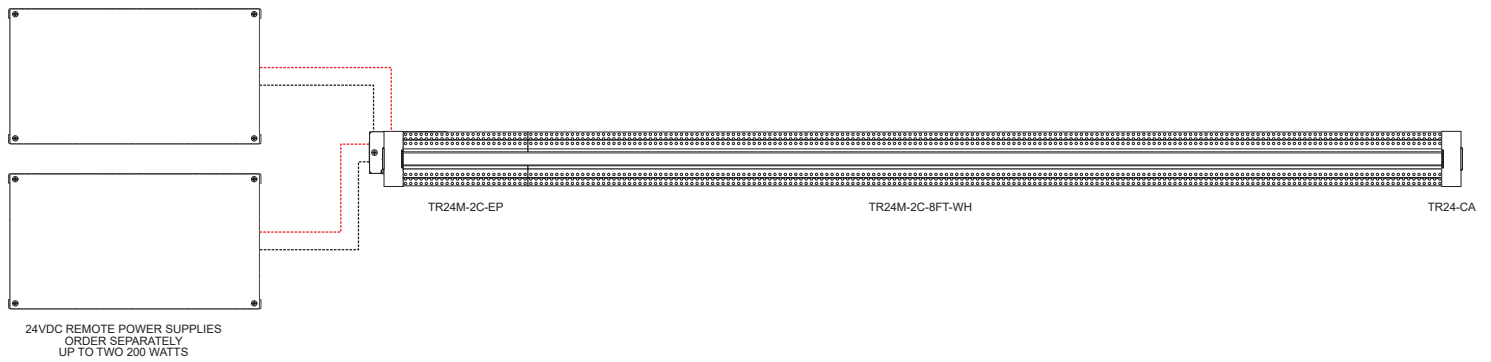
An original, ground-breaking design from PureEdge Lighting – backed by over 30 years of precision manufacturing.

PROJECT	FIXTURE TYPE	DATE
---------	--------------	------

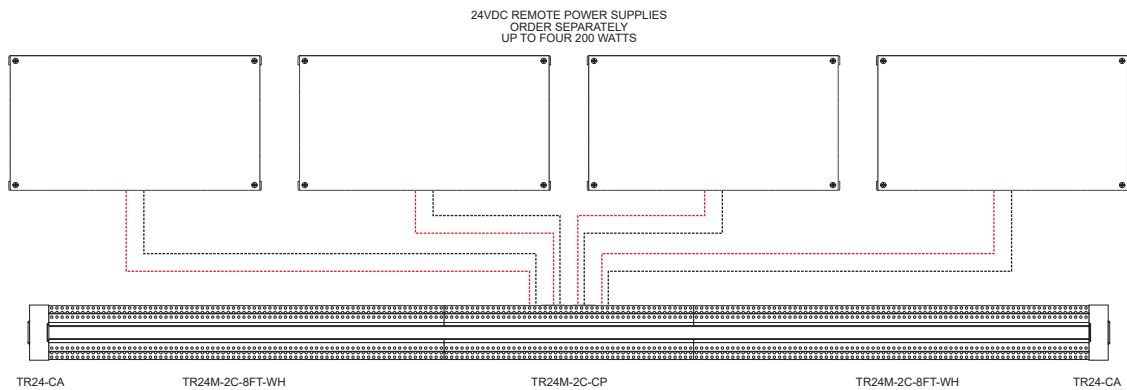


EASY KIT Straight with power, order fixture and power supplies separately

Kit includes end feed, track, track cover and end caps.



System	Circuit	Power Feed	Length in Feet
TR24M	2C	EP	30FT
TR24M TruTrack Magnetic Recessed 24VDC	2C Two Circuit	EP End Power Feed	4-30FT 4-30' (2' increments)



System	Circuit	Power Feed	Length in Feet
TR24M	2C	CP	60FT
TR24M TruTrack Magnetic Recessed 24VDC	2C Two Circuit	CP Center Power Feed	4-60FT 4-60' (4' increments)

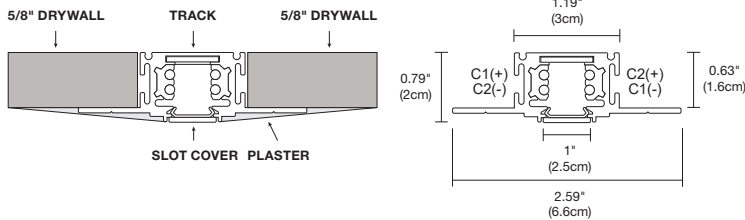
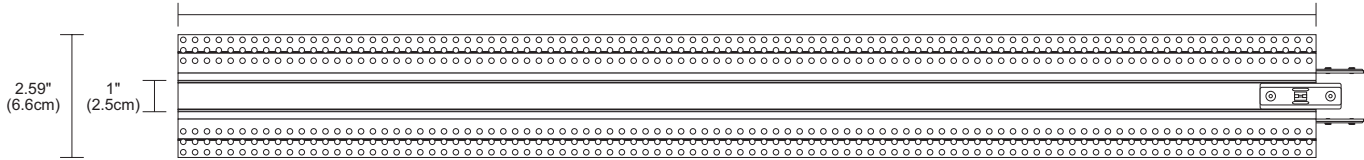
PROJECT		FIXTURE TYPE		DATE	
---------	--	--------------	--	------	--

COMPONENTS



TWO CIRCUIT RECESSED 24VDC TRACK

2', 4', 6', 8'
 (61cm, 121.9cm, 182.9cm, 243.8cm)



TWO CIRCUIT TRACK COMPONENTS

Extruded Aluminum Channel with 10 gauge buss bar to help eliminate voltage drop. For use with 24VDC Remote Power Supply, sold separately. Includes paintable, opaque slot covers to conceal conductive connectors and track slots blending seamlessly into the ceiling.

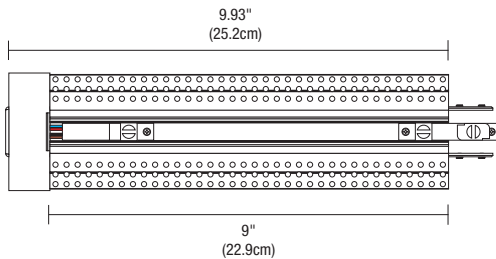
System	Circuit	Length in Feet	Color
TR24M	2C	8FT	WH
TR24M TruTrack Magnetic Recessed 24VDC	2C Two Circuit	2FT 2' 4FT 4' 6FT 6' 8FT 8'	WH White Cover

ADDITIONAL OPAQUE SLOT COVER

Additional two paintable 1/2" Opaque Slot Covers are included with each Recessed Track.



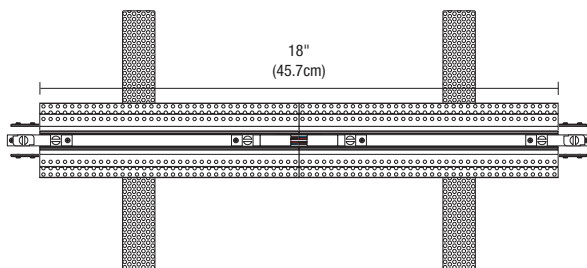
System	Type	Length in Feet	Color
T24	SCO	8FT	WH
T24 TruTrack 24VDC	SCO Opaque Cover for Track Slot	8FT 8'	WH White Cover



END POWER FEED WITH JUNCTION BOX FOR 5/8" - 1-1/4" DRYWALL

End Power Feed with junction box powers the track with up to two 200 watt power supplies. May be used on cement ceiling with only 5/8" dry wall (junction box not used). 9" starter section and one T24M-2C-P power feed connector included.

System	Circuit	Type
TR24M	2C	EP
TR24M TruTrack Magnetic Recessed 24VDC	2C Two Circuit	EP End Power Feed up to 200 Watts, 24VDC



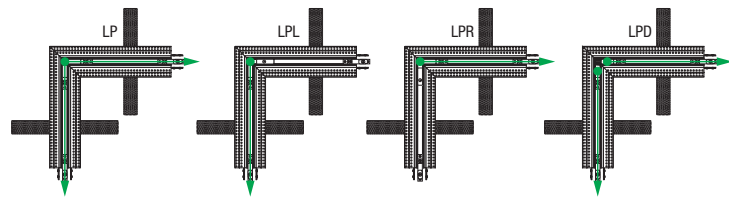
CENTER POWER FEED WITH JUNCTION BOX FOR 5/8" - 1-1/4" DRYWALL

Center Power Feed joins two sections of track in both directions, up to four power supplies, 200 watts each. 18" starter section and two T24M-2C-P power feed connectors included.

System	Circuit	Type
TR24M	2C	CP
TR24M TruTrack Magnetic Recessed 24VDC	2C Two Circuit	CP Center Dual Power Feed up to 4x200 Watts

PROJECT	FIXTURE TYPE	DATE
---------	--------------	------

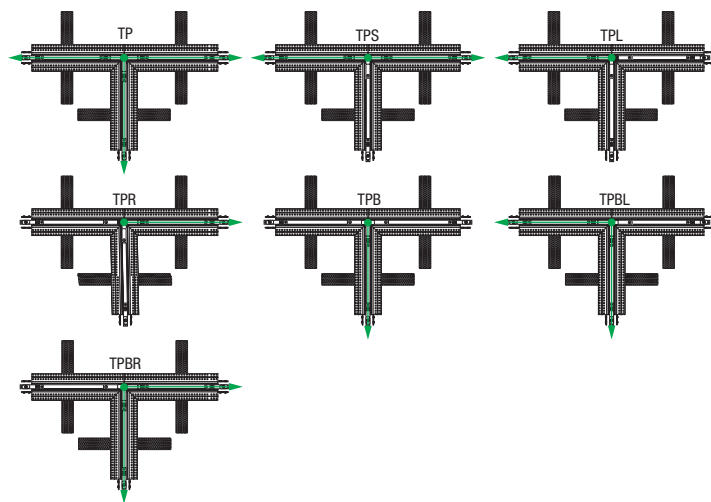
COMPONENTS



L-SHAPED POWER FEED FOR 5/8" DRYWALL WITH JUNCTION BOX & POWER CONNECTORS

L-Shaped Power Feed joins two sections of track at 90°. To power two channels with dual power supplies in both directions use "LP". Use ordering code "LPL" for feeding the power to the left channel only, use "LPR" for right channel only. Use "LPD" to power two circuits in both directions using up to four power supplies. 9" starter section and two T24M-2C-P power feed connectors included.

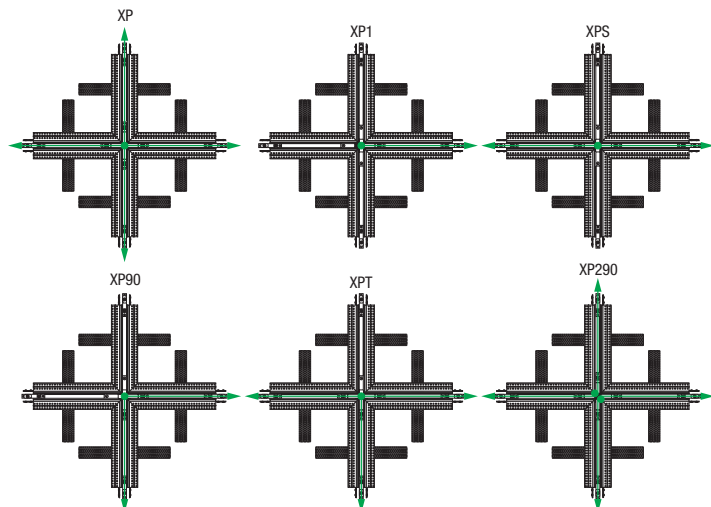
System	Circuit	Type
TR24M	2C	LPD
TR24M TruTrack Magnetic Recessed 24VDC	2C Two Circuit	<p>LP L-Shaped Power Feed, both Directions, up to 2 power supplies, 200 watts each. 9" long track sections.</p> <p>LPL L-Shaped Power Feed, Left Power Only, 2x 200 Watts</p> <p>LPR L-shaped Power Feed, Right Power Only, 2x 200 Watts</p> <p>LPD L-Shaped Dual Power Feed, up to 4x 200 Watts</p>



T-SHAPED POWER FEED WITH JUNCTION BOX FOR 5/8"- 1-1/4" DRYWALL & POWER CONNECTORS

T-Shaped Power Feed joins three sections track 90° apart. For powering three channels use "TP" which mounts to a 4" junction box. for feeding the power to three section, for (Left to right), use "TPS" power two sections. For base to left use "TPBL", for base to right "TPBR", for base only "TPB", left only "TPL" or right only "TPR". Includes 9" starter sections and three T24M-2C-P power feed connectors.

System	Circuit	Type
TR24M	2C	TP
TR24M TruTrack Magnetic Recessed 24VDC	2C Two Circuit	<p>TP T-Shaped Power Connector, Conductive on 3 Sections up to 6 x 200 watts power supplies. 9" long track sections.</p> <p>TPS T-Shaped Connector, Conductive through Left & Right Sections</p> <p>TPL T-Shaped Power Connector, Conductive on Left Sections</p> <p>TPR T-Shaped Power Connector, Conductive on Right Sections</p> <p>TPB T-Shaped Power Connector, Conductive on Base Only</p> <p>TPBL T-Shaped Power Connector, Conductive on Base & Left Sections</p> <p>TPBR T-Shaped Power Connector, Conductive on Base & Right Sections</p>

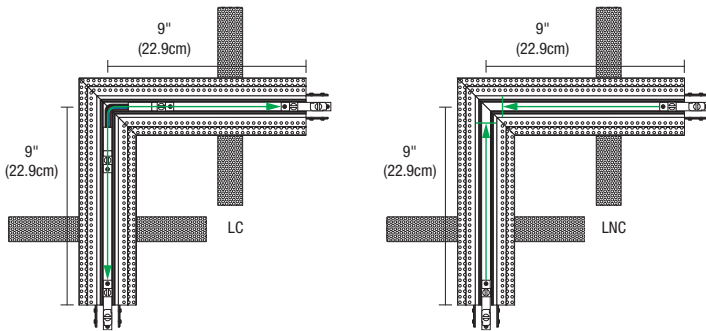


X-SHAPED POWER FEED WITH JUNCTION BOX FOR 5/8"- 1-1/4" DRYWALL & POWER CONNECTORS

X-Shaped Power Feed joins four sections of track 90° apart. For powering all four channels use "XP" which mounts to a 4" junction box. For feeding the power to one section use "XP1", for straight through two sections "XPS", for two sections with 90° turn "XP90", for a T-Shaped section use "XPT", "XP290" powers four sections with two 90° turns. Mounts to 4" junction box. Includes 9" starter sections and four T24M-2C-P power feed connectors.

System	Circuit	Type
TR24M	2C	XP
TR24M TruTrack Magnetic Recessed 24VDC	2C Two Circuit	<p>XP X-Shaped Power Feed Quad Feed up to 8x200 Watts, 9" track sections</p> <p>XP1 X-Shaped Power Connector, Conductive on 1 Section</p> <p>XPS X-Shaped Power Connector, Conductive Straight through 2 Sections</p> <p>XP90 X-Shaped Power Connector, Conductive on 2 Sections, 90° Turn</p> <p>XPT X-Shaped Power Connector, Conductive on 3 Sections</p> <p>XP290 X-Shaped Connector, Conductive on 4 Sections, (2) 90° Turns</p>

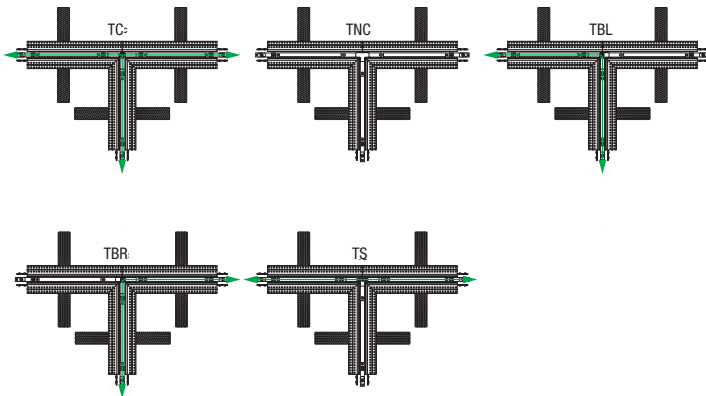
PROJECT	FIXTURE TYPE	DATE
---------	--------------	------



L-SHAPED CONNECTOR

L-Shaped Connector joins two sections of track 90° apart, conducting the power "LC" or isolating the power "LNC". Order Non-Conductive when adding two Power Supplies in a square configuration.

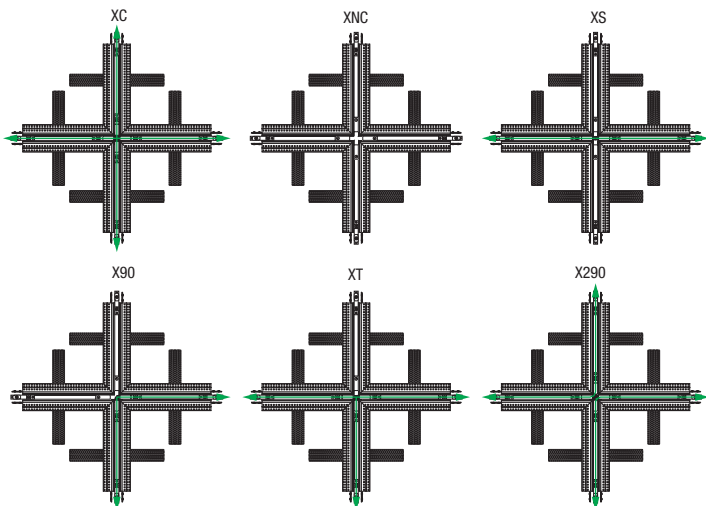
System	Circuit	Type	Color
TR24M	2C	LC	WH
TR24M TruTrack Magnetic Recessed 24VDC	2C Two Circuit	LC L-Connector Conductive LNC L-Connector Non-Conductive	WH White



T-SHAPED CONNECTOR

T-Shaped Connector joins three sections of track 90° apart. It isolates the power of each section "TNC"; or electrically conducts the power to section(s): all sections "TC", base to left section "TBL", base to right section "TBR" or straight from left to right section "TS".

System	Circuit	Type	Color
TR24M	2C	TC	WH
TR24M TruTrack Magnetic Recessed 24VDC	2C Two Circuit	TC T-Shaped Conductive Connector TNC T-Shaped Non-Conductive Connector TBL T-Shaped Connector, Conductive on Base & Left Sections TBR T-Shaped Connector, Conductive on Base & Right Sections TS T-Shaped Connector, Conductive Straight through Left & Right Sections	WH White



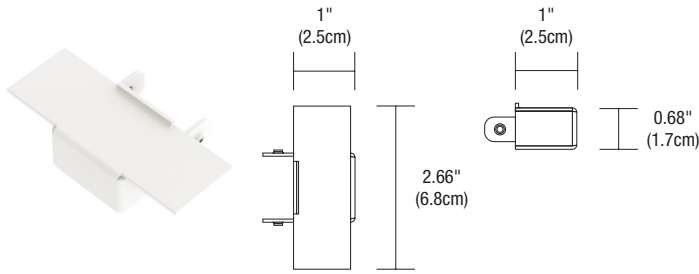
X-SHAPED CONNECTOR

X-Shaped Connector joins four sections of track 90° apart. It isolates the power of each section "XNC" or electrically conducts the power to section(s): all sections "XC", straight through two sections "XS", two sections with 90° turn "X90", four sections with two 90° turns "X290" or in a T-Shaped section "XT".

System	Circuit	Type	Color
TR24M	2C	XC	WH
TR24M TruTrack Magnetic Recessed 24VDC	2C Two Circuit	XC X-Shaped Conductive Connector XNC X-Shaped Non-Conductive Connector XS X-Shaped Connector, Conductive Straight through 2 Sections X90 X-Shaped Connector, Conductive on 2 Sections, 90° Turn XT X-Shaped Connector, Conductive on 3 Sections X290 X-Shaped Connector, Conductive on 4 Sections, (2) 90° Turns	WH White

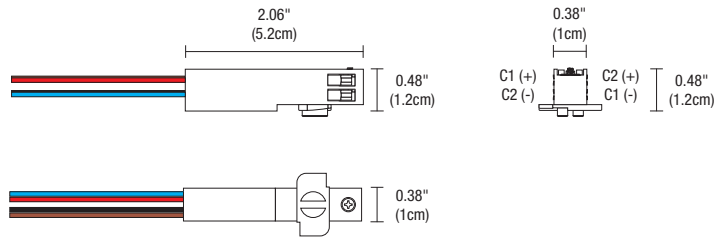
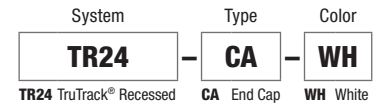
PROJECT	FIXTURE TYPE	DATE
---------	--------------	------

COMPONENTS



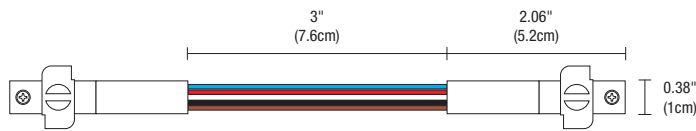
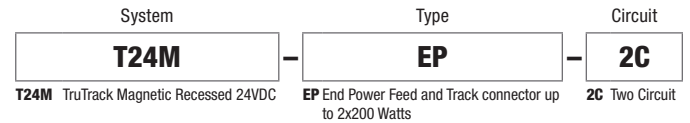
END CAP

Needs to be ordered with each dead end of TR24M Track System.



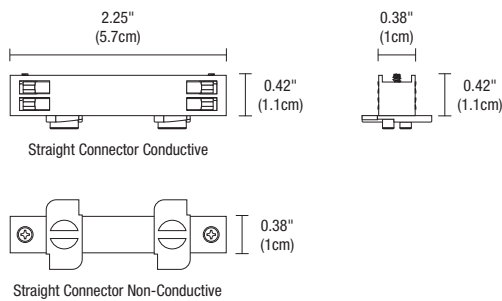
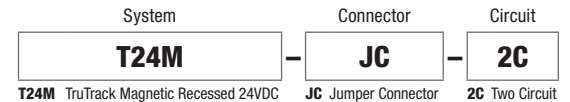
END POWER FEED CONNECTOR

Included with each end of TR24M Track System.



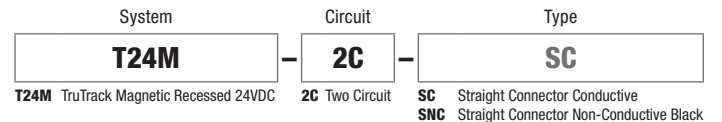
POWER JUMPER

Included with each conductive connectors for connecting two sections of track.

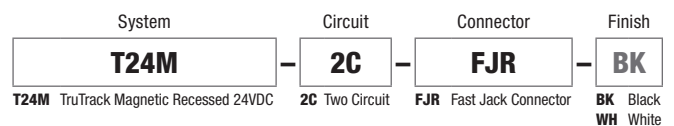
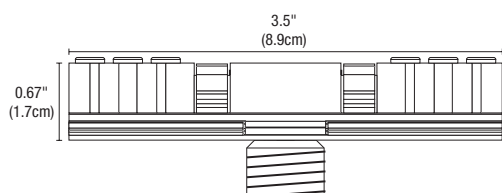


STRAIGHT CONNECTOR

Miniature Straight Connector joins two track sections end to end and is concealed by the slot covers. Included with each section of track.



INCLUDED WITH TRACK HEADS



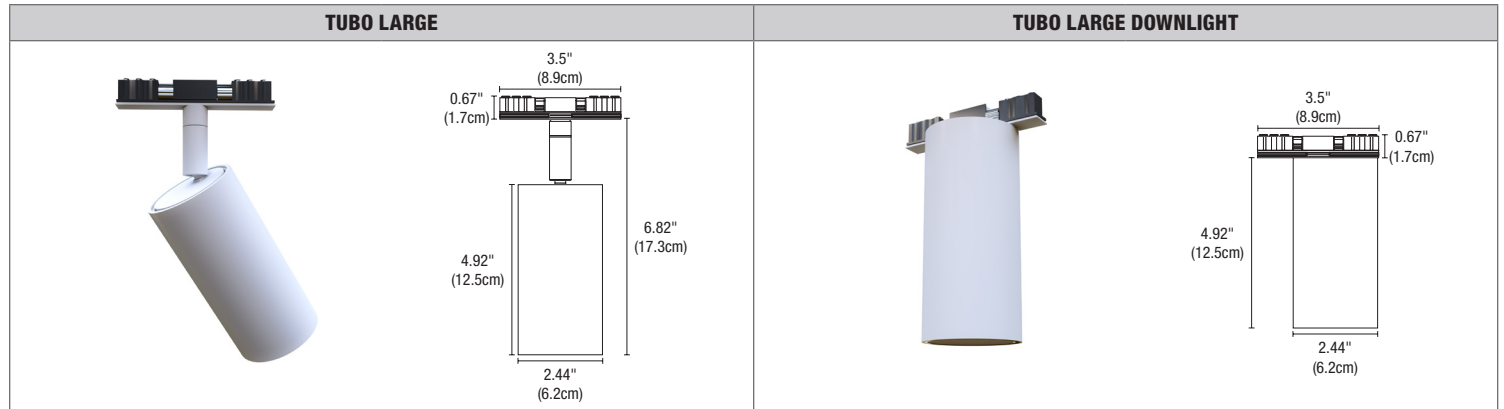
PROJECT		FIXTURE TYPE		DATE	
---------	--	--------------	--	------	--

T24M TRACK HEADS, 2 CIRCUIT MAGNETIC

24VDC WITH INTEGRATED LED, STATIC WHITE & WARM DIM TECHNOLOGY

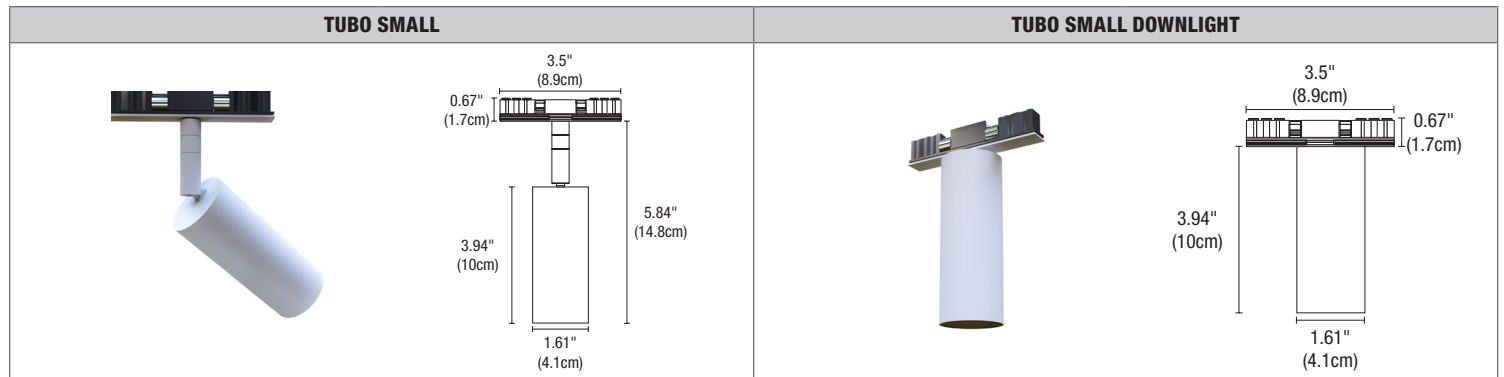
REV 03.25.22

PureEdge T24M Track Heads are Compatible with TruTrack® (TR24M-2C) and Surface Mount track (TS24M-2C).
24VDC - All uniform beam spread options are field changeable. See accessories page for more information.



System	Type	Fixture	Beam Spread	Color Temperature	Finish
T24M	2C	TUBL	FL	30K	WH
T24M Track Head 24V Magnetic Connector	2C 2 Circuit	TUBL Tubo Large TUBLD Tubo Large Downlight	NS Narrow Spot 10° SP Spot 20° NF Narrow Flood 35° FL Flood 45° VW Very Wide Flood 75° For 7° use STB16-BK snoot with NS	24K 2400K Very Warm White 27K 2700K Incandescent White 30K 3000K Warm White 30D 3000D Warm Dim* 35K 3500K Neutral White *Not available in VW 30D NS: 7.5W 400 lumens	BK Black Powder Coat WH White Powder Coat

	BEAM ANGLE REFERENCE 45°				
COLOR TEMPERATURE	24K	27K	30K	30D	35K
TOTAL LUMENS	1032	920	891	683	1024
WATTS	14	14	14	14	14
LUMENS PER WATT (lm/w)	74	66	65	49	73
CRI	97	92	92	97	98
TM-30 DATA	R9: 60 Rf: 93 Rg: 98	R9: 97 Rf: 92 Rg: 100	R9: 64 Rf: 91 Rg: 98	R9: 90 Rf: 95 Rg: 102	R9: 92 Rf: 94 Rg: 101



System	Type	Fixture	Beam Spread	Color Temperature	Finish
T24M	2C	TUBS	FL	30K	WH
T24M Track Head 24V Magnetic Connector	2C 2 Circuit	TUBS Tubo Small TUBSD Tubo Small Downlight	NS Narrow Spot 15° SP Spot 25° NF Narrow Flood 35° FL Flood 45° VW Very Wide Flood 75° For 7° use STB16-BK snoot with NS	24K 2400K Very Warm White 27K 2700K Incandescent White 30K 3000K Warm White 30D 3000D Warm Dim* 35K 3500K Neutral White *Not available in NS	BK Black Powder Coat WH White Powder Coat

	BEAM ANGLE REFERENCE 45°				
COLOR TEMPERATURE	24K	27K	30K	30D	35K
TOTAL LUMENS	485	433	419	287	481
WATTS	9	9	9	8	9
LUMENS PER WATT (lm/w)	57	51	40	39	57
CRI	97	92	94	94	98
TM-30 DATA	R9: 60 Rf: 93 Rg: 98	R9: 97 Rf: 92 Rg: 100	R9: 64 Rf: 91 Rg: 98	R9: 90 Rf: 95 Rg: 102	R9: 92 Rf: 94 Rg: 101

*For more detailed information, including Title 24 compliance, please view individual product specifications at www.PureEdgeLighting.com.

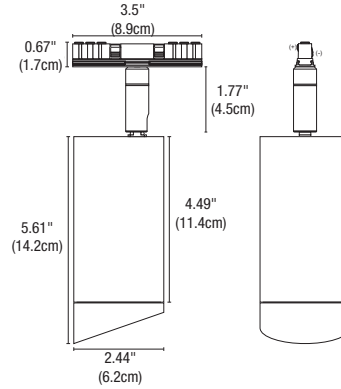
PROJECT	FIXTURE TYPE	DATE
---------	--------------	------

T24M TRACK HEADS, 2 CIRCUIT MAGNETIC

24VDC WITH INTEGRATED LED, STATIC WHITE & WARM DIM TECHNOLOGY

REV 03.25.22

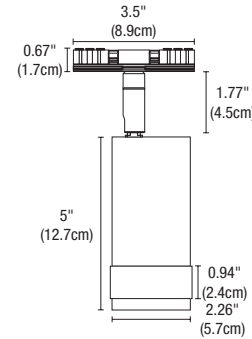
TUBO LARGE WALL WASH



System	Type	Fixture	Beam Spread	Color Temperature	Finish
T24M	2C	TUBL	WW	30K	BK
T24M Track Head 24V Magnetic Connector	2C 2 Circuit	TUBL Tubo Large	WW Wall Wash	24K 2400K Very Warm White 27K 2700K Incandescent White 30K 3000K Warm White 30D 3000K Warm Dim to 1800K 35K 3500K Neutral White	BK Black Powder Coat WH White Powder Coat

BEAM ANGLE	55°
COLOR TEMPERATURE	30K
TOTAL LUMENS	884
WATTS	15
LUMENS PER WATT (lm/w)	59
CRI	92
TM-30 DATA	R9: 61.2 Rf: 92 Rg: 100

ZOOM



System	Type	Fixture	Beam Spread	Color Temperature	Finish
T24M	2C	ZOOM	Z2	30K	BK
T24M Track Head 24V Magnetic Connector	2C 2 Circuit	ZOOM Zoom	Z1 Zoom Adjust 15° to 55° Z2 Zoom Adjust 20° to 50°	24K 2400K Very Warm White 27K 2700K Incandescent White 30K 3000K Warm White 30D 3000K Warm Dim to 1800K* 35K 3500K Neutral White *Only available for Z2	BK Black Powder Coat WH White Powder Coat

	Z1		Z2	
BEAM ANGLE	15°	55°	20°	50°
COLOR TEMPERATURE	30K	30K	30K	30K
TOTAL LUMENS	686	873	795	1188
WATTS	16	16	16	16
LUMENS PER WATT (lm/w)	46	61	69	89
CRI	93	93	94	94
TM-30 DATA	R9: 66 Rf: 92 Rg: 101	R9: 66 Rf: 92 Rg: 101	R9: 74 Rf: 92 Rg: 102	R9: 74 Rf: 92 Rg: 102

PROJECT	FIXTURE TYPE	DATE
---------	--------------	------

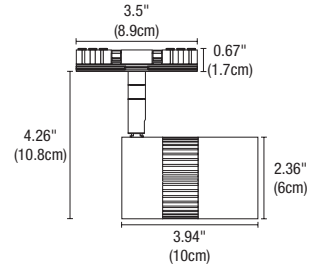
T24M TRACK HEADS, 2 CIRCUIT MAGNETIC

24VDC WITH INTEGRATED LED, STATIC WHITE & WARM DIM TECHNOLOGY

REV 03.25.22

All uniform beam spread options are field changeable.

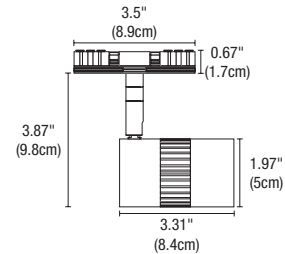
RADIANT LARGE



System	Type	Fixture	Beam Spread	Color Temperature	Finish
T24M	2C	RADL	FL	30K	WH
T24M Track Head 24V Magnetic Connector	2C 2 Circuit	RADL Radiant Large	NS Narrow Spot 10° SP Spot 20° NF Narrow Flood 35° FL Flood 45° WF Wide Flood 60°	24K 2400K Very Warm White 27K 2700K Incandescent White 30K 3000K Warm White 30D 3000D Warm Dim* 35K 3500K Neutral White	BK Black Powder Coat WH White Powder Coat
			Warm Dim: NS (15°), SP (25°)	*Not available in NF	

	BEAM ANGLE REFERENCE 45°				
COLOR TEMPERATURE	24K	27K	30K	30D	35K
TOTAL LUMENS	1256	1119	1084	838	1246
WATTS	14	14	14	14	14
LUMENS PER WATT (lm/w)	90	80	80	58	89
CRI	97	92	92	97	98
TM-30 DATA	R9: 60 Rf: 93 Rg: 98	R9: 97 Rf: 92 Rg: 100	R9: 64 Rf: 91 Rg: 98	R9: 90 Rf: 95 Rg: 102	R9: 92 Rf: 94 Rg: 101

RADIANT MEDIUM



System	Type	Fixture	Beam Spread	Color Temperature	Finish
T24M	2C	RADM	FL	30K	WH
T24M Track Head 24V Magnetic Connector	2C 2 Circuit	RADM Radiant Medium	SP Spot 20° NF Narrow Flood 35° FL Flood 45° WF Wide Flood 60°	24K 2400K Very Warm White 27K 2700K Incandescent White 30K 3000K Warm White 30D 3000D Warm Dim 35K 3500K Neutral White	BK Black Powder Coat WH White Powder Coat

	BEAM ANGLE REFERENCE 45°				
COLOR TEMPERATURE	24K	27K	30K	30D	35K
TOTAL LUMENS	846	754	730	360	839
WATTS	11	11	11	8	11
LUMENS PER WATT (lm/w)	77	69	64	47	76
CRI	97	92	92	93	98
TM-30 DATA	R9: 60 Rf: 93 Rg: 98	R9: 97 Rf: 92 Rg: 100	R9: 64 Rf: 91 Rg: 98	R9: 90 Rf: 95 Rg: 102	R9: 92 Rf: 94 Rg: 101

MATERIAL	Extruded Aluminum	FREQUENCY	50/60HZ	APPLICATION	Suitable for damp or dry locations. Indoor use only.	COMPLIANCE LABEL	ETL to UL 2108 Standard
INPUT VOLTAGE	24VDC	POWER FACTOR	> 0.90	DIMMING & FLICKER	0-10V dimming Flicker less than 2%	LED LAMP LIFE	60,000 Hours

*For more detailed information, including Title 24 compliance, please view individual product specifications at www.PureEdgeLighting.com.

PROJECT		FIXTURE TYPE		DATE	
---------	--	--------------	--	------	--

T24M TRACK HEADS, 2 CIRCUIT MAGNETIC

24VDC WITH INTEGRATED LED, STATIC WHITE & WARM DIM TECHNOLOGY

Additional Lenses and Accessories

REV 03.25.22

TUBO LARGE LENS		SNOOT		LOUVER	FOCUS LENS	LINEAR SPREAD FILM	
ORDERING CODE	STATIC WHITE LEN-TUBL-SP-SW LEN-TUBL-NF-SW LEN-TUBL-FL-SW LEN-TUBL-VW-SW	WARM DIM LEN-TUBL-SP-WD LEN-TUBL-NF-WD LEN-TUBL-FL-WD LEN-TUBL-VW-WD	STB16-BK STB16-WH (WHITE SHELL)	ST16-BK ST16-WH	L016-H	LF-TUBL-SF (SOFT FOCUS), MF (MEDIUM FOCUS), WF (WIDE FOCUS)	LF-TUBL-LS
LENS SIZE	2" (50mm) Diameter						
BEAM SPREADS	SP (20°), NF (35°) FL (45°), VW (75°)		Conical snoot creates a 7° Beam spread and is designed to reduce spill and control glare. Spun aluminum.	Snoot is designed to reduce spill and control glare. Spun aluminum.	Hexcell louver eliminates glare. 0.125" Thickness.	Soft focus lens is included with every track head. Diffuses the beam, providing uniform illumination.	Linear spread film: directs the light into an elongated beam. Typical applications using 10°, 15°, 25° include illuminating landscape oriented art. 35°, 40°, 60° create an elongated oval typically used for wall washing.

TUBO SMALL LENS		SNOOT		LOUVER	FOCUS LENS	LINEAR SPREAD FILM
ORDERING CODE	STATIC WHITE LEN-TUBS-NS-SW LEN-TUBS-SP-SW LEN-TUBS-NF-SW LEN-TUBS-FL-SW LEN-TUBS-VW-SW	WARM DIM LEN-TUBS-SP-WD LEN-TUBS-FL-WD LEN-TUBS-VW-WD	TUBS-ST-BK TUBS-ST-WH (WHITE SHELL)	L011-H	LF-TUBS-SF (SOFT FOCUS), MF (MEDIUM FOCUS), WF (WHITE FOCUS)	LF-TUBS-LS
LENS SIZE	1.375" (35mm) Diameter					
BEAM SPREADS	NS (15°), SP (25°), NF (35°), FL (45°), VW (75°)		Conical snoot creates a 7° Beam spread and is designed to reduce spill and control glare. Spun aluminum.	Hexcell louver eliminates glare. 0.125" Thickness.	Soft focus lens is included with every track head. Diffuses the beam, providing uniform illumination.	Linear spread film: directs the light into an elongated beam. Typical applications using 10°, 15°, 25° include illuminating landscape oriented art. 35°, 40°, 60° create an elongated oval typically used for wall washing.

RADIANT LARGE LENS		SNOOT		LOUVER	FOCUS LENS	LINEAR SPREAD FILM
ORDERING CODE	STATIC WHITE LEN-RADL-SP-SW LEN-RADL-NF-SW LEN-RADL-FL-SW LEN-RADL-WF-SW	WARM DIM LEN-RADL-NS-WD LEN-RADL-SP-WD LEN-RADL-FL-WD LEN-RADL-WF-WD	STB16-BK STB16-WH (WHITE SHELL)	L016-H	LF-RADL-SF (SOFT FOCUS), MF (MEDIUM FOCUS), WF (WIDE FOCUS)	LF-RADL-LS
LENS SIZE	2" (50mm) Diameter					
BEAM SPREADS	SP (20°), NF (35°), FL (45°), WF (60°)	NS (15°), SP (25°), FL (45°), WF (60°)	Conical snoot creates a 7° Beam spread and is designed to reduce spill and control glare. Spun aluminum.	Hexcell louver eliminates glare. 0.125" Thickness.	Soft focus lens is included with every track head. Diffuses the beam, providing uniform illumination.	Linear spread film: directs the light into an elongated beam. Typical applications using 10°, 15°, 25° include illuminating landscape oriented art. 35°, 40°, 60° create an elongated oval typically used for wall washing.

RADIANT MEDIUM LENS		LOUVER	FOCUS LENS	LINEAR SPREAD FILM
ORDERING CODE	STATIC WHITE LEN-RADM-SP-SW LEN-RADM-NF-SW LEN-RADM-FL-SW LEN-RADM-WF-SW	L011-H	LF-RADM-SF (SOFT FOCUS) MF (MEDIUM FOCUS), WF (WIDE FOCUS)	LF-RADM-LS
LENS SIZE	1.375" (35mm) Diameter			
BEAM SPREADS	SP (20°), NF (35°), FL (45°), WF (60°)		MR16 Hexcell louver accessory eliminates glare. 2" Diameter x .125" Thick. Hexcell louver eliminates glare. 0.125" Thickness.	Soft focus lens is included with every track head. Diffuses the beam, providing uniform illumination.
			Linear spread film: directs the light into an elongated beam. Typical applications using 10°, 15°, 25° include illuminating landscape oriented art. 35°, 40°, 60° create an elongated oval typically used for wall washing.	

PROJECT	FIXTURE TYPE	DATE
---------	--------------	------

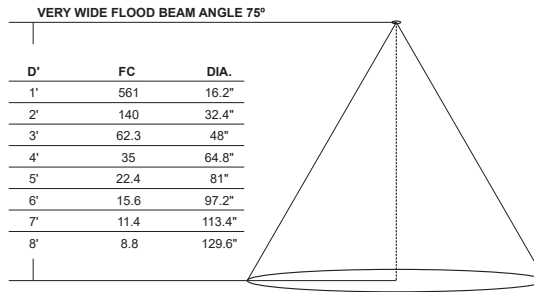
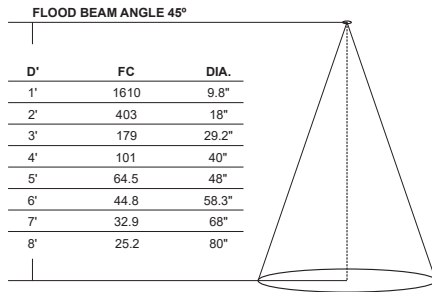
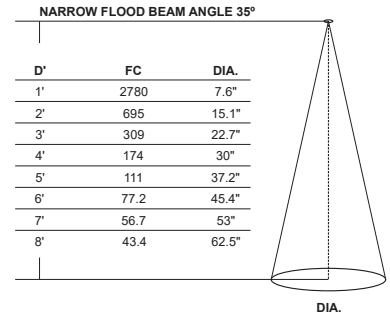
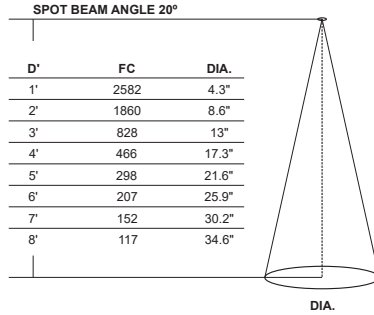
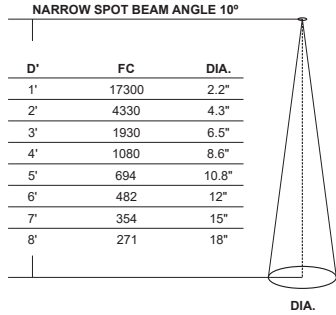
T24M TRACK HEADS, 2 CIRCUIT MAGNETIC

24VDC WITH INTEGRATED LED, STATIC WHITE & WARM DIM TECHNOLOGY

REV 03.25.22

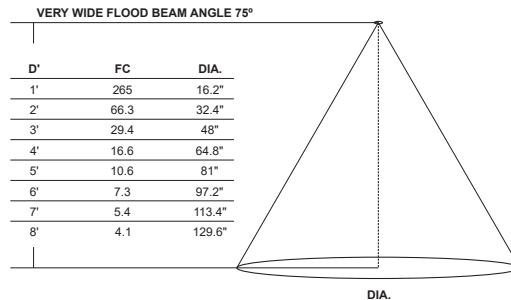
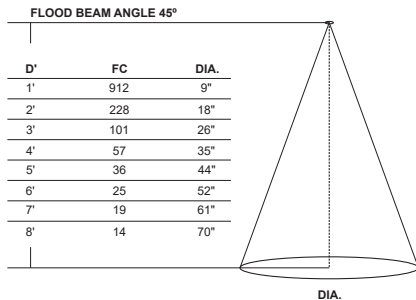
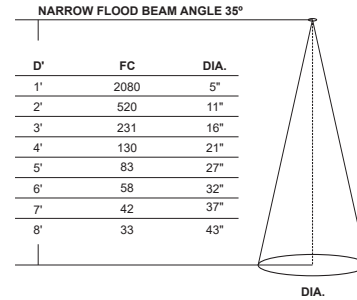
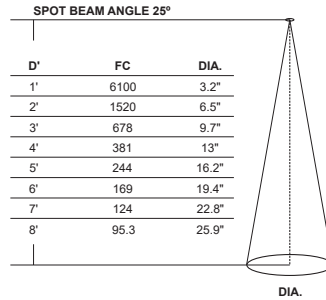
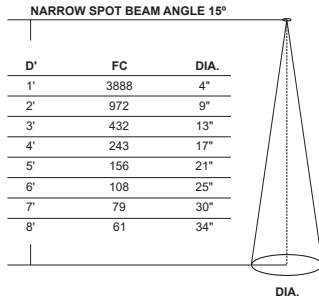
TUBO LARGE Photometric Data

D - Distance from fixture
FC - Initial foot candles at the center of beam
DIA - Diameter



TUBO SMALL Photometric Data

D - Distance from fixture
FC - Initial foot candles at the center of beam
DIA - Diameter

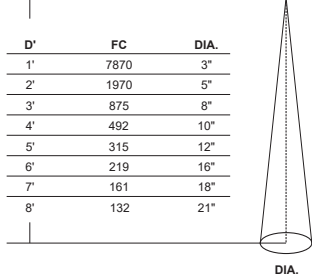


PROJECT	FIXTURE TYPE	DATE
---------	--------------	------

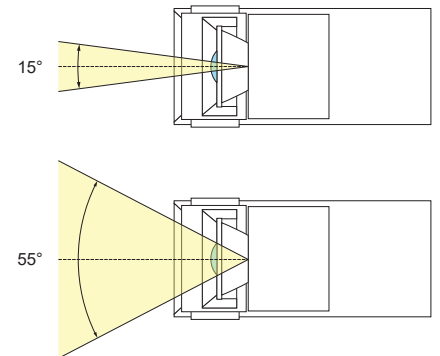
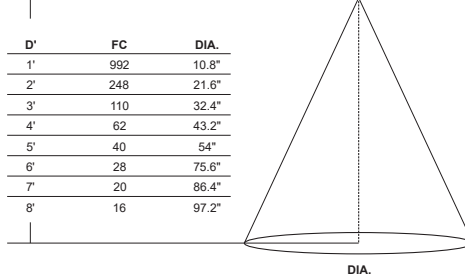
ZOOM Z1 Photometric Data

D - Distance from fixture
FC - Initial foot candles at the center of beam
DIA - Diameter

15° BEAM ANGLE



55° BEAM ANGLE

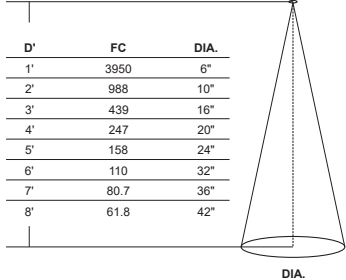


Z1: Adjustable between 15° and 55°

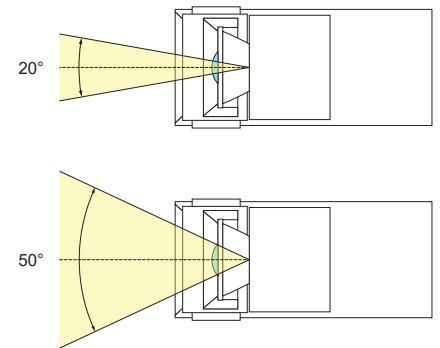
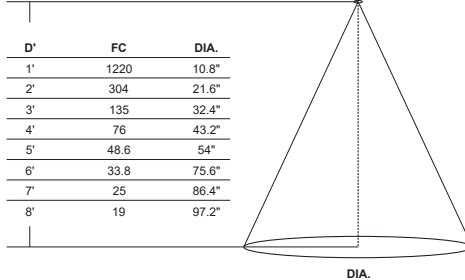
ZOOM Z2 Photometric Data

D - Distance from fixture
FC - Initial foot candles at the center of beam
DIA - Diameter

20° BEAM ANGLE



50° BEAM ANGLE

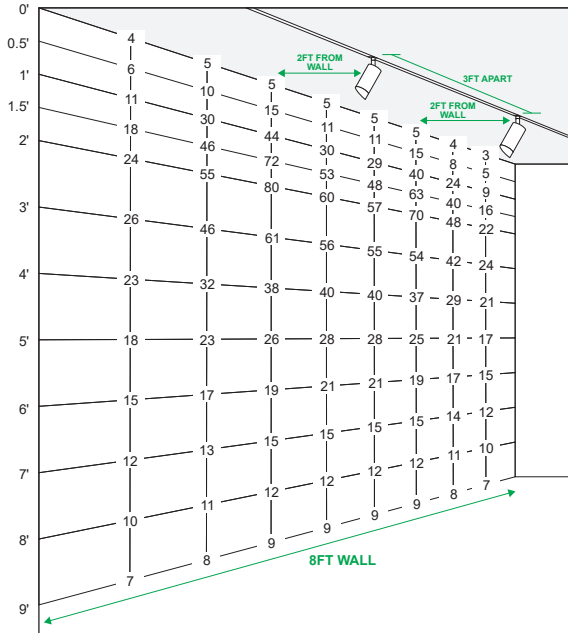


Z2: Adjustable between 20° and 50°

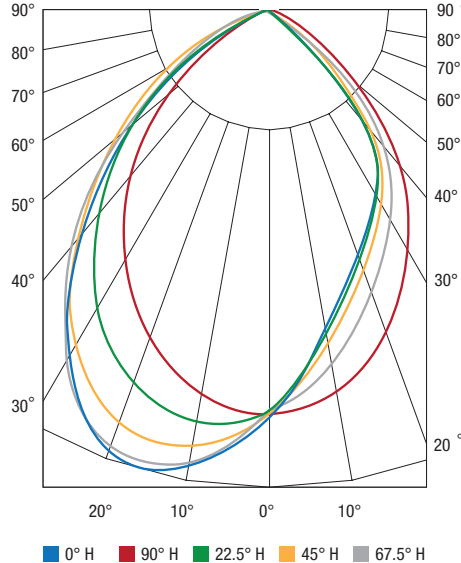
TUBO WALL WASH Photometric Data

D - Distance from fixture
FC - Initial foot candles at the center of beam
DIA - Diameter

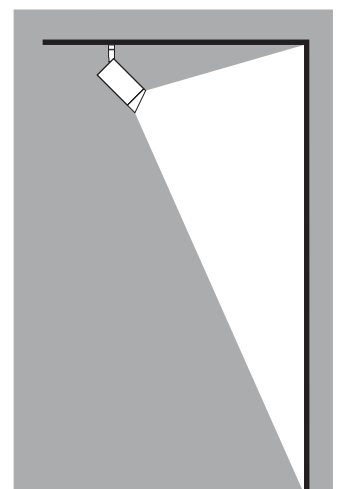
Tube Wall Wash Foot Candle Chart



CANDLE POWER DISTRIBUTION



DIRECTION OF LIGHT

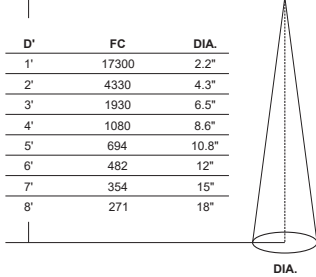


PROJECT	FIXTURE TYPE	DATE
---------	--------------	------

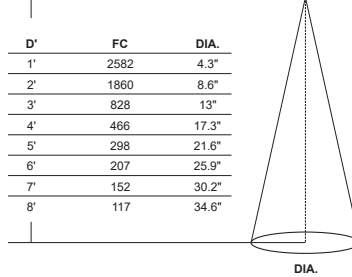
RADIANT LARGE Photometric Data

D - Distance from fixture
FC - Initial foot candles at the center of beam
DIA - Diameter

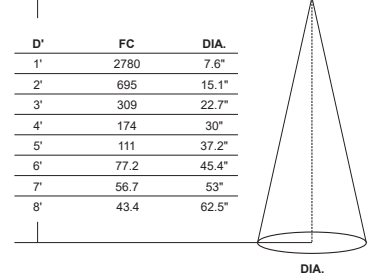
NARROW SPOT BEAM ANGLE 10°



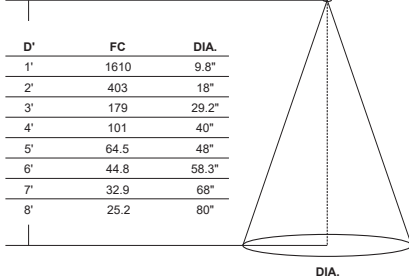
SPOT BEAM ANGLE 20°



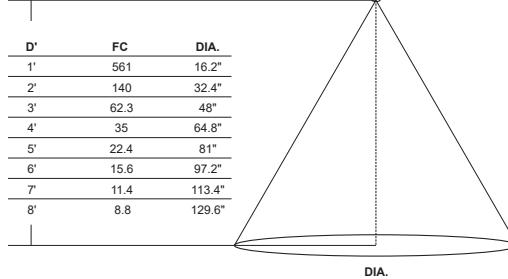
NARROW FLOOD BEAM ANGLE 35°



FLOOD BEAM ANGLE 45°



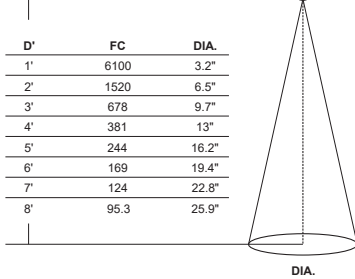
WIDE FLOOD BEAM ANGLE 60°



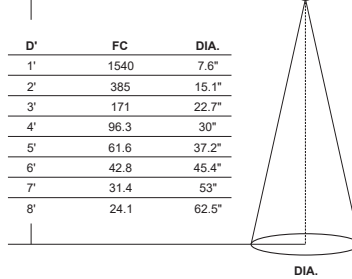
RADIANT MEDIUM Photometric Data

D - Distance from fixture
FC - Initial foot candles at the center of beam
DIA - Diameter

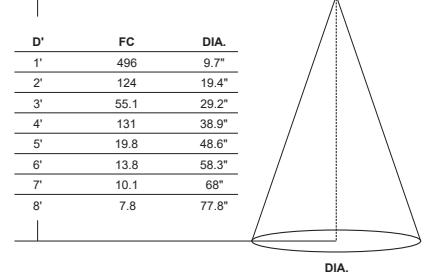
SPOT BEAM ANGLE 20°



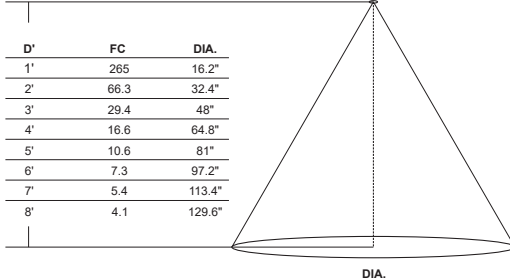
NARROW FLOOD BEAM ANGLE 35°



FLOOD BEAM ANGLE 45°



WIDE FLOOD BEAM ANGLE 60°



PROJECT	FIXTURE TYPE	DATE
---------	--------------	------

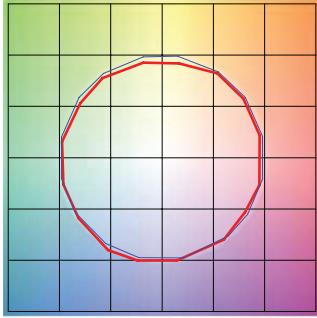
TM30 DATA

24VDC WITH INTEGRATED LED, STATIC WHITE & WARM DIM TECHNOLOGY

TM-30-15 DATA: Consistent color temperatures among multiple track heads is possible through a 3 phase binning process in which each order is inspected with a color meter to ensure uniformity.

2400K | Rf: 91.2 | Rg: 96.8

Color Vector Graphic

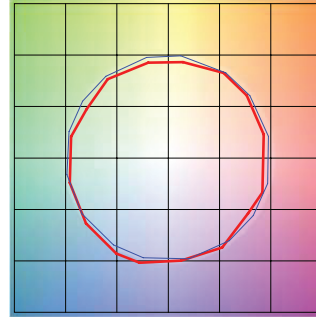


■ Test ■ Reference

GRAPHIC SHIFTS %			
HUE BIN	Rf	CHROMA	HUE
1	92.0	-2.4%	1.5%
2	94.7	-2.1%	0.0%
3	95.4	-1.9%	-0.1%
4	88.7	-6.7%	-3.1%
5	92.8	-5.6%	1.0%
6	92.7	-3.4%	3.4%
7	89.9	-4.3%	4.1%
8	92.4	-1.4%	4.4%
9	89.0	-0.6%	5.8%
10	88.9	0.4%	6.2%
11	89.7	4.0%	5.4%
12	92.6	3.0%	-0.7%
13	90.9	1.1%	-7.0%
14	89.9	0.5%	-5.8%
15	92.1	-3.2%	0.1%
16	88.9	-1.7%	-6.3%

2700K | Rf: 87.7 | Rg: 96.1

Color Vector Graphic

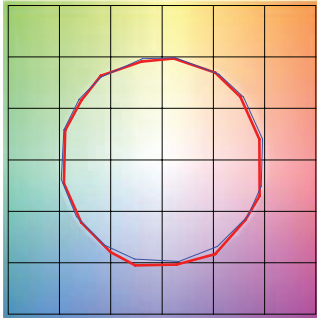


■ Test ■ Reference

GRAPHIC SHIFTS %			
HUE BIN	Rf	CHROMA	HUE
1	88.0	-4.3%	2.6%
2	91.6	-2.4%	2.0%
3	93.7	-1.4%	1.9%
4	88.9	-5.6%	-3.1%
5	92.3	-5.5%	-0.5%
6	92.9	-3.5%	0.1%
7	84.5	-7.5%	4.6%
8	90.8	-3.0%	4.4%
9	84.5	-1.3%	8.3%
10	83.9	2.0%	9.8%
11	87.2	5.3%	7.1%
12	89.2	5.4%	-2.6%
13	88.7	0.3%	-7.8%
14	86.8	1.7%	-9.3%
15	87.6	-5.4%	-1.3%
16	83.6	-3.3%	-9.5%

3000K | Rf: 88.1 | Rg: 99.7

Color Vector Graphic

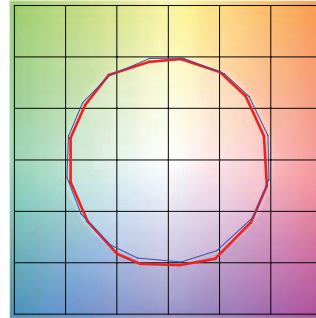


■ Test ■ Reference

GRAPHIC SHIFTS %			
HUE BIN	Rf	CHROMA	HUE
1	92.5	-3.1%	0.3%
2	93.3	-2.3%	1.9%
3	90.9	-0.8%	3.9%
4	94.3	-1.1%	1.4%
5	92.5	-2.6%	1.5%
6	96.4	1.2%	-0.3%
7	92.6	-2.5%	-0.0%
8	96.9	-1.4%	0.2%
9	92.3	-1.8%	4.3%
10	86.6	-0.7%	7.0%
11	86.5	2.4%	8.2%
12	89.8	5.9%	1.7%
13	93.9	2.6%	-2.7%
14	89.4	5.1%	-5.8%
15	90.1	-0.1%	-4.7%
16	86.5	0.3%	-9.7%

3500K | Rf: 86.1 | Rg: 95.5

Color Vector Graphic

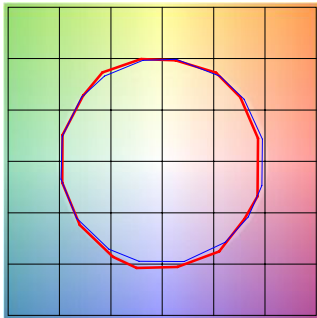


■ Test ■ Reference

GRAPHIC SHIFTS %			
HUE BIN	Rf	CHROMA	HUE
1	90.8	-3.8%	0.3%
2	92.3	-2.8%	2.1%
3	89.7	-1.0%	4.3%
4	92.6	-1.4%	1.7%
5	91.8	-3.1%	1.3%
6	96.2	0.8%	-0.4%
7	92.9	-3.2%	0.2%
8	94.3	-2.5%	1.5%
9	90.4	-2.5%	5.2%
10	84.3	-1.4%	9.5%
11	83.1	3.5%	9.8%
12	88.2	4.8%	3.4%
13	94.0	2.7%	-2.0%
14	88.7	5.9%	-5.8%
15	88.7	0.7%	-5.9%
16	86.8	-0.7%	-6.7%

3000D | Rf: 89.8 | Rg: 101.4

Color Vector Graphic



■ Test ■ Reference

GRAPHIC SHIFTS %			
HUE BIN	Rf	CHROMA	HUE
1	90.2	-4.2%	1.5%
2	90.9	-2.0%	3.7%
3	87.9	0.8%	5.5%
4	92.1	-0.9%	0.6%
5	93.0	1.5%	1.6%
6	92.2	3.9%	-0.2%
7	92.1	-0.3%	-2.0%
8	96.7	0.0%	-1.2%
9	92.5	-0.6%	3.7%
10	88.3	1.1%	7.0%
11	87.2	4.1%	7.4%
12	87.2	6.7%	-1.0%
13	88.2	3.8%	-7.2%
14	85.3	4.3%	-9.9%
15	90.9	-2.2%	-3.6%
16	83.4	-2.2%	-11.2%

PROJECT	FIXTURE TYPE	DATE
---------	--------------	------