

DESCRIPTION

This innovative, two-circuit TruTrack® system features magnetic track head connectors. TruTrack® is a plaster-in recessed 24VDC two circuit track system which allows for two groups of fixtures to switch and dim independently. Only as thick as the 5/8" drywall, the TruTrack® patented design is precision engineered to blend seamlessly within drywall surfaces, eliminating the need for joist modification, and provides more flexibility to make turns along the ceiling. For a clean architectural aesthetic, a paintable slot cover is supplied with TruTrack® leaving only the track head visible once installed.

FEATURES

- Two-circuit system, with two power supplies up to 200 watts (400 watts total), allow for independent switching and dimming
- Magnetic Track Heads easily attach to the track and adjust, tilt, and rotate using a single hand with easy installation while on a ladder
- Designed for use with 24VDC Universal Remote Power Supplies up to 40' away
- Magnetic Track Heads are available in multiple color temperatures including Warm Dim (30D)
- Track Head Lumen Output up to 1271 Lumens at 30K with multiple fixed and adjustable beam spread options
- Designer-grade Color Rendering up to 95+ CRI at 30K
- Power Feeds offered in End, Center, L, T and X shapes, up to two 96 Watt power supplies before re-feeding, and four 96 watt power supplies with center feed
- Recessed TruTrack® Channel is available in 2', 4', 6' and 8' lengths, with the ability to be cut in the field
- One Straight Connector and two opaque plastic Slot Covers are included with TruTrack® Channel to protect conductors during installation and to conceal the recessed track slot. May be painted to match the ceiling

FINISH & MATERIAL

- Slot Cover: Black, Warm White RAL 9010, Pure White Powder RAL 9016 Powder Coat
- Extruded Aluminum Channel, conductors are a pair of #10 Gauge Copper Busbars

POWER SUPPLY AND DIMMING (SOLD SEPARATELY)

24VDC, Remote Power

- [Uni Power Supply](#) Universal Dimming (TRIAC, ELV, 0-10V)
- ELV & TRIAC [Smart Dimmer & Switch](#)

APPLICATIONS

Indoor use only. Ideal applications in residential, commercial, retail and hospitality environments.

WARRANTY / LABELS

5 year pro-rated warranty. Assembled in America
 ETL (Conforms to UL 1598 and CSA 22.2 #250.0), Class 2 Under 100 Watts, 200 Watts UL2108



Magnetic Track Heads Easily Click Into Place

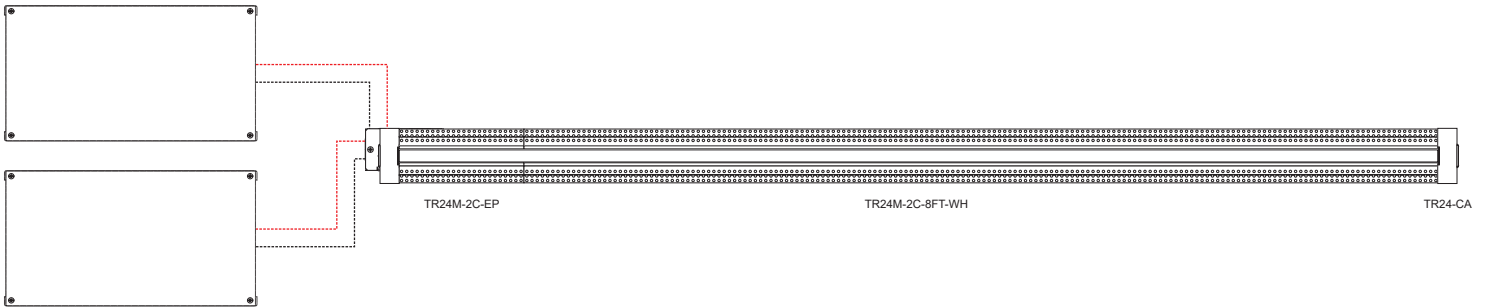
TruTrack® 5/8" Drywall Recessed Lighting:

An original, ground-breaking design from PureEdge Lighting – backed by over 30 years of precision manufacturing.



EASY KIT Straight with power, order fixture and power supplies separately

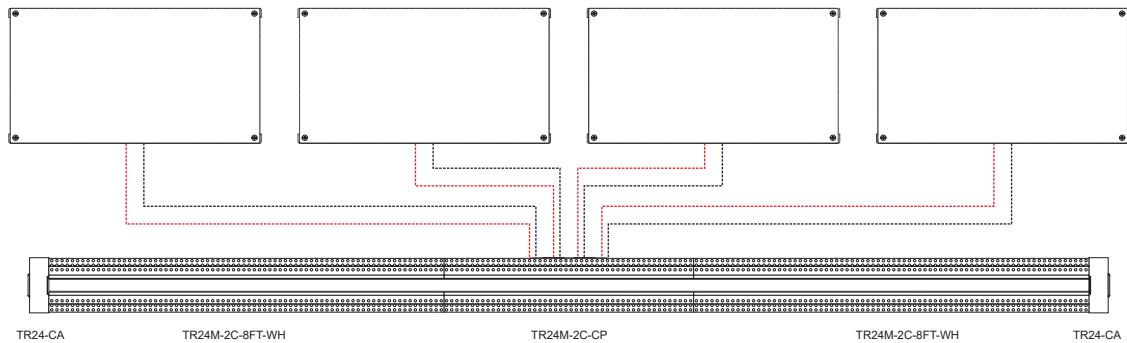
Kit includes end feed, track, track cover and end caps.



24VDC REMOTE POWER SUPPLIES
 ORDER SEPARATELY
 UP TO TWO 200 WATTS EACH
 (CLASS 1)
 UP TO TWO 96 WATTS EACH
 (CLASS 2)

System	Circuit	Power Feed	Length in Feet	Cover Color
TR24M	2C	EP	30FT	WH
TR24M TruTrack Magnetic Recessed 24VDC	2C Two Circuit	EP End Power Feed	4-30FT 4-30' (2' increments)	BK Black PW Pure White Powder Coat RAL 9016 WH Warm White Powder Coat RAL 9010

24VDC REMOTE POWER SUPPLIES
 ORDER SEPARATELY
 UP TO TWO 200 WATTS EACH (CLASS 1)
 UP TO FOUR 96 WATTS EACH (CLASS 2)



System	Circuit	Power Feed	Length in Feet	Cover Color
TR24M	2C	CP	60FT	WH
TR24M TruTrack Magnetic Recessed 24VDC	2C Two Circuit	CP Center Power Feed	4-60FT 4-60' (4' increments)	BK Black PW Pure White Powder Coat RAL 9016 WH Warm White Powder Coat RAL 9010

TRUTRACK® MAGNETIC DIY

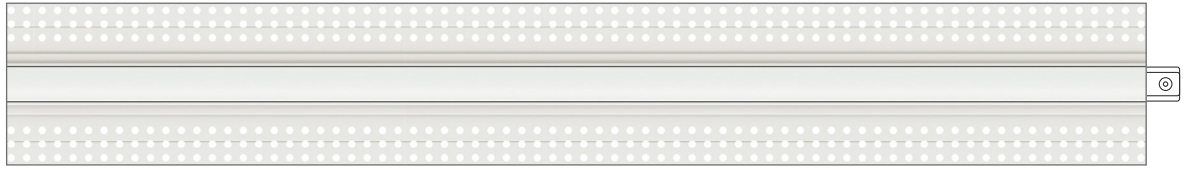
24VDC REMOTE POWER, RECESSED TWO-CIRCUIT TRACK SYSTEM



PROJECT
FIXTURE TYPE
DATE

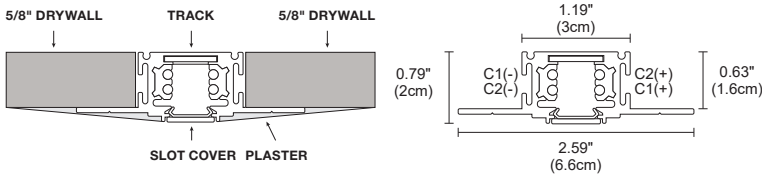
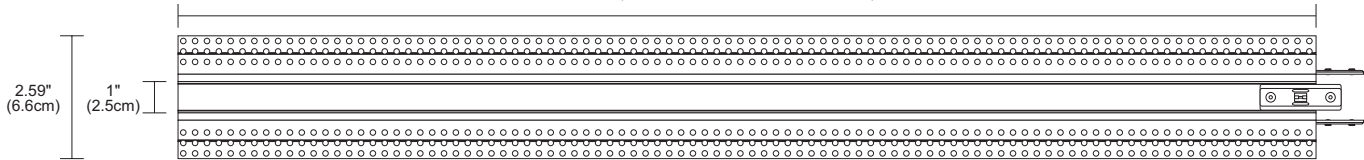
REV 03.13.26

COMPONENTS



TWO CIRCUIT RECESSED 24VDC TRACK

2', 4', 6', 8'
(61cm, 121.9cm, 182.9cm, 243.8cm)



TWO CIRCUIT TRACK COMPONENTS

Extruded Aluminum Channel with 10 gauge buss bar to help eliminate voltage drop. For use with 24VDC Remote Power Supply, sold separately. Includes one Straight Connector and two paintable, opaque Slot Covers to conceal conductive connectors and track slots blending seamlessly into the ceiling.

System	Circuit	Length in Feet	Cover Color
TR24M	2C	8FT	WH
TR24M TruTrack Magnetic Recessed 24VDC	2C Two Circuit	2FT 2' 4FT 4' 6FT 6' 8FT 8'	BK Black PW Pure White Powder Coat RAL 9016 WH Warm White Powder Coat RAL 9010

OPAQUE SLOT COVER

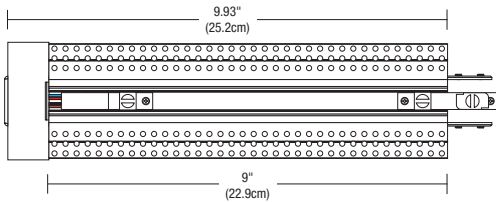
Two paintable 1/2" Opaque Slot Covers are included with each Recessed Track.



System	Type	Length in Feet	Cover Color
TS24M	SCO	8FT	WH
TS24M TruTrack 24VDC	SCO Opaque Cover for Track Slot	8FT 8'	BK Black PW Pure White Powder Coat RAL 9016 WH Warm White Powder Coat RAL 9010

END POWER FEED WITH JUNCTION BOX FOR 5/8"- 1-1/4" DRYWALL

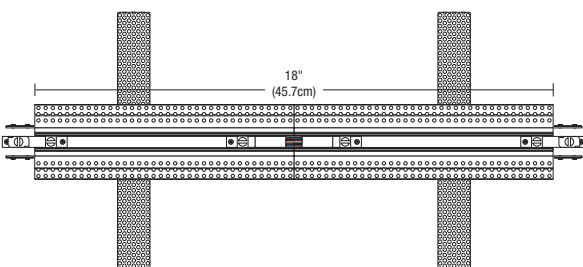
End Power Feed with junction box powers the track with up to two 96 watt power supplies. May be used on cement ceiling with only 5/8" dry wall (junction box not used). 9" starter section and one T24M-2C-P power feed connector included.



System	Circuit	Type	Cover Color
TR24M	2C	EP	WH
TR24M TruTrack Magnetic Recessed 24VDC	2C Two Circuit	EP End Power Feed	BK Black PW Pure White Powder Coat RAL 9016 WH Warm White Powder Coat RAL 9010

CENTER POWER FEED WITH JUNCTION BOX FOR 5/8"- 1-1/4" DRYWALL

Center Power Feed joins two sections of track in both directions, up to four 96 watt power supplies. 18" starter section and two T24M-2C-P power feed connectors included.

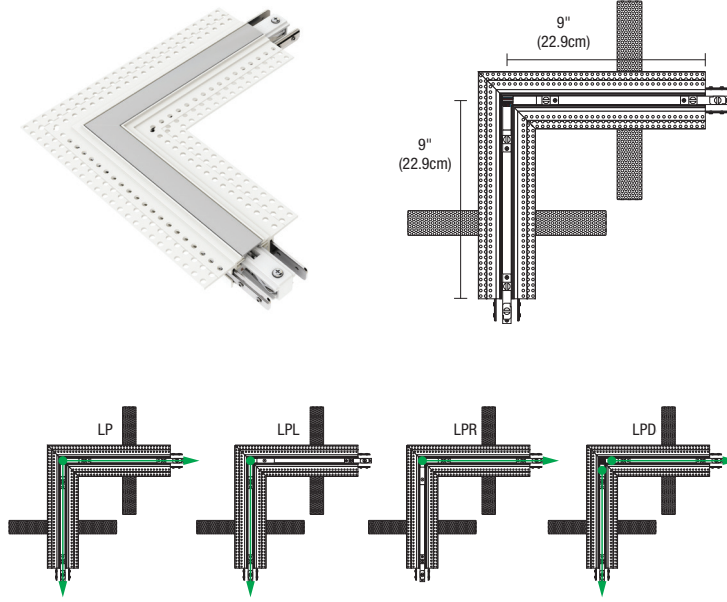


System	Circuit	Type	Cover Color
TR24M	2C	CP	WH
TR24M TruTrack Magnetic Recessed 24VDC	2C Two Circuit	CP Center Dual Power Feed	BK Black PW Pure White Powder Coat RAL 9016 WH Warm White Powder Coat RAL 9010

COMPONENTS

L-SHAPED POWER FEED FOR 5/8" DRYWALL WITH JUNCTION BOX & POWER CONNECTORS

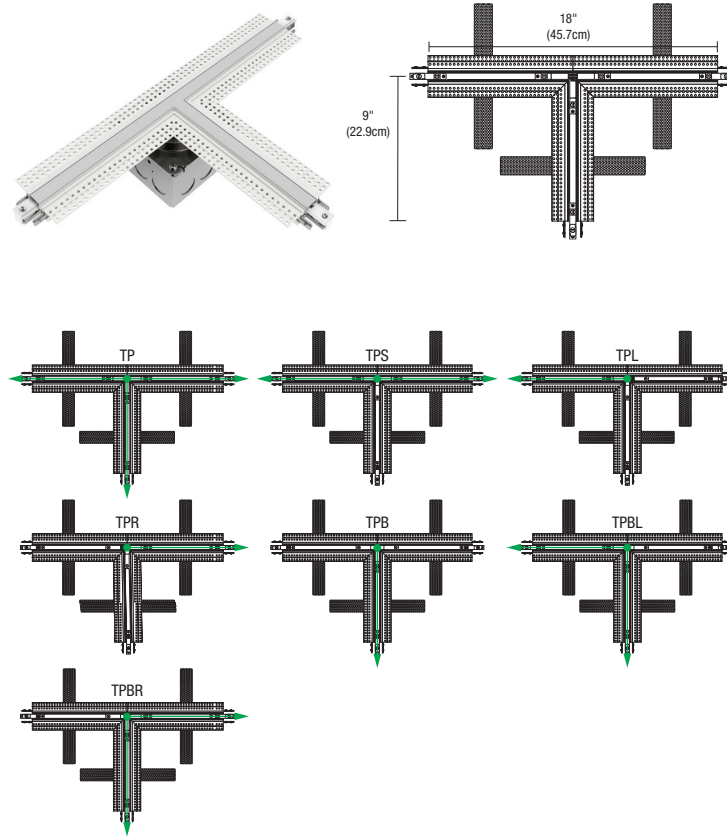
L-Shaped Power Feed joins two sections of track at 90°. To power two channels with dual power supplies in both directions use "LP". Use ordering code "LPL" for feeding the power to the left channel only, use "LPR" for right channel only. Use "LPD" to power two circuits in both directions using up to four power supplies. 9" starter section and two T24M-2C-P power feed connectors included. Up to 800 watts (4x200W).



System	Circuit	Type	Cover Color
TR24M	2C	LPD	WH
TR24M TruTrack Magnetic Recessed 24VDC	2C Two Circuit	LP L-Shaped Power Feed, both Directions, up to 2 power supplies, 200 watts each LPL L-Shaped Power Feed, Left Power Only, 2x 200 Watts LPR L shaped Power Feed, Right Power Only, 2x 200 Watts LPD L-Shaped Dual Power Feed, up to 4x 200 Watts	BK Black PW Pure White Powder Coat RAL 9016 WH Warm White Powder Coat RAL 9010

T-SHAPED POWER FEED WITH JUNCTION BOX FOR 5/8"- 1-1/4" DRYWALL & POWER CONNECTORS

T-Shaped Power Feed joins three sections track 90° apart. For powering three channels use "TP" which mounts to a 4" junction box for feeding the power to three section, for (Left to right), use "TPS" power two sections. For base to left use "TPBL", for base to right "TPBR", for base only "TPB", left only "TPL" or right only "TPR". Includes 9" starter sections and three T24M-2C-P power feed connectors. Up to 1400 watts (8x175W).



System	Circuit	Type	Cover Color
TR24M	2C	TP	WH
TR24M TruTrack Magnetic Recessed 24VDC	2C Two Circuit	TP T-Shaped Power Connector, Conductive on 3 Sections up to 1400 watts (8x175W) power supplies. 9" long track sections. TPS T-Shaped Connector, Conductive through Left & Right Sections TPL T-Shaped Power Connector, Conductive on Left Sections TPR T-Shaped Power Connector, Conductive on Right Sections TPB T-Shaped Power Connector, Conductive on Base Only TPBL T-Shaped Power Connector, Conductive on Base & Left Sections TPBR T-Shaped Power Connector, Conductive on Base & Right Sections	BK Black PW Pure White Powder Coat RAL 9016 WH Warm White Powder Coat RAL 9010

TRUTRACK® MAGNETIC DIY

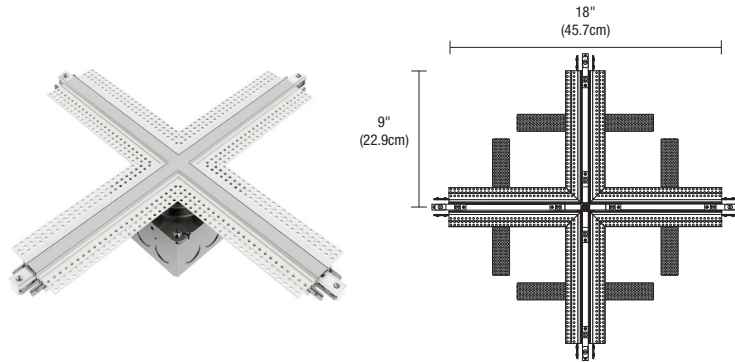
24VDC REMOTE POWER, RECESSED TWO-CIRCUIT TRACK SYSTEM



PROJECT
FIXTURE TYPE
DATE

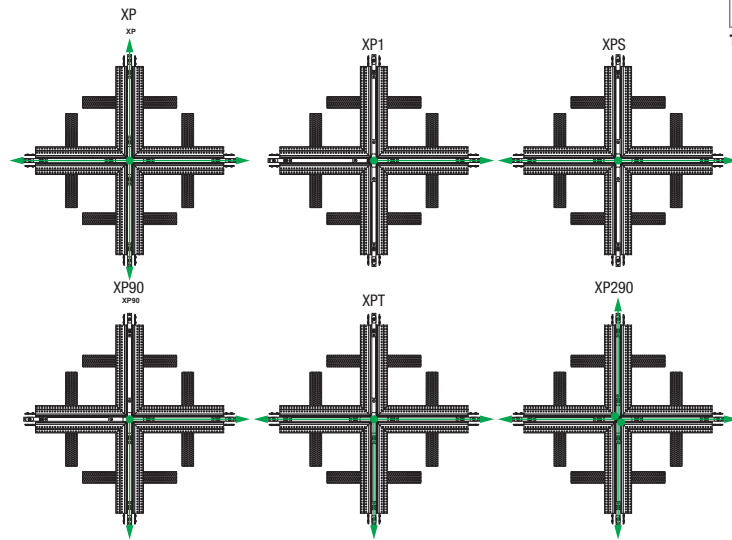
REV 03.13.26

COMPONENTS

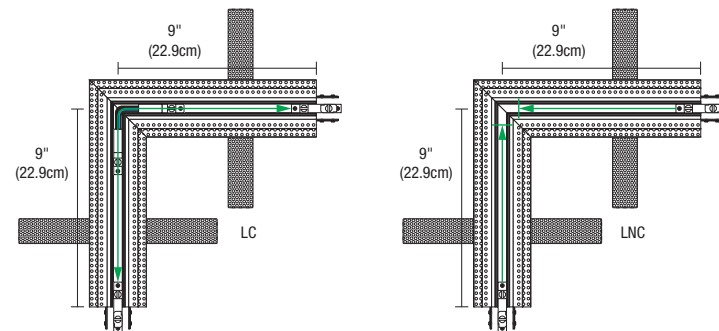


X-SHAPED POWER FEED WITH JUNCTION BOX FOR 5/8" - 1-1/4" DRYWALL & POWER CONNECTORS

X-Shaped Power Feed joins four sections of track 90° apart. For powering all four channels use "XP" which mounts to a 4" junction box. For feeding the power to one section use "XP1", for straight through two sections use "XPS", for two sections with 90° turn "XP90", for a T-Shaped section use "XPT", "XP290" powers four sections with two 90° turns. Mounts to 4" junction box. Includes 9" starter sections and four T24M-2C-P power feed connectors. Up to 800 watts (4x200W).



System	Circuit	Type	Cover Color
TR24M	2C	XP290	WH
TR24M TruTrack Magnetic Recessed 24VDC	2C Two Circuit	<p>XP X-Shaped Power Feed Quad Feed up to 8 200 watt power supplies</p> <p>XP1 X-Shaped Power Connector, Conductive on 1 Section</p> <p>XPS X-Shaped Power Connector, Conductive Straight through 2 Sections</p> <p>XP90 X-Shaped Power Connector, Conductive on 2 Sections, 90° Turn</p> <p>XPT X-Shaped Power Connector, Conductive on 3 Sections</p> <p>XP290 X-Shaped Connector, Conductive on 4 Sections, (2) 90° Turns</p>	<p>BK Black</p> <p>PW Pure White Powder Coat RAL 9016</p> <p>WH Warm White Powder Coat RAL 9010</p>



L-SHAPED CONNECTOR

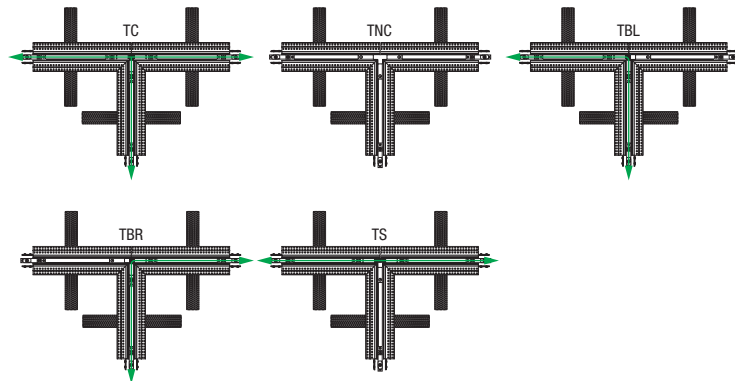
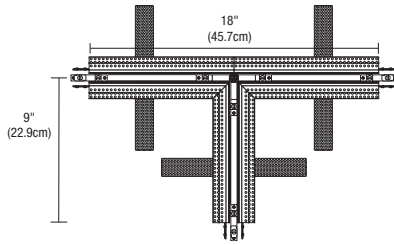
L-Shaped Connector joins two sections of track 90° apart, conducting the power "LC" or isolating the power "LNC". Order Non-Conductive when adding two Power Supplies in a square configuration.

System	Circuit	Type	Color
TR24M	2C	LC	WH
TR24M TruTrack Magnetic Recessed 24VDC	2C Two Circuit	<p>LC L-Connector Conductive</p> <p>LNC L-Connector Non-Conductive</p>	<p>BK Black</p> <p>PW Pure White Powder Coat RAL 9016</p> <p>WH Warm White Powder Coat RAL 9010</p>

TRUTRACK® MAGNETIC DIY

24VDC REMOTE POWER, RECESSED TWO-CIRCUIT TRACK SYSTEM

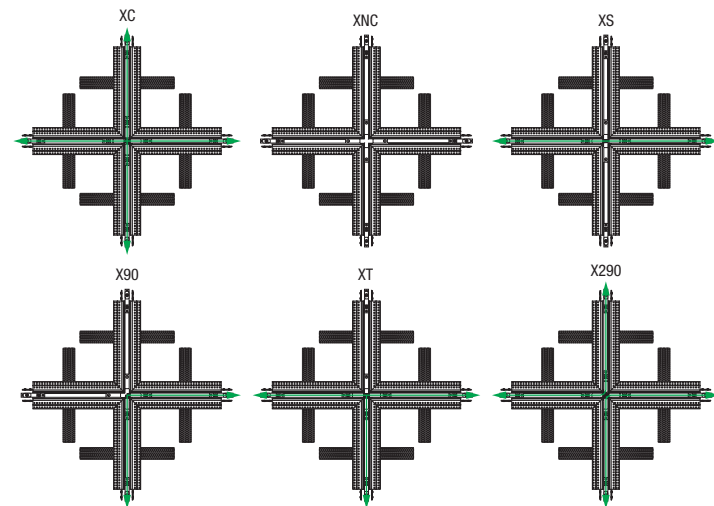
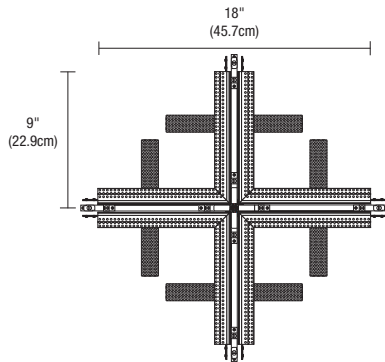
COMPONENTS



T-SHAPED CONNECTOR

T-Shaped Connector joins three sections of track 90° apart. It isolates the power of each section "TNC"; or electrically conducts the power to section(s): all sections "TC", base to left section "TBL", base to right section "TBR" or straight from left to right section "TS".

System	Circuit	Type	Color
TR24M	2C	TC	WH
TR24M TruTrack Magnetic Recessed 24VDC	2C Two Circuit	TC T-Shaped Conductive Connector TNC T-Shaped Non-Conductive Connector TBL T-Shaped Connector, Conductive on Base & Left Sections TBR T-Shaped Connector, Conductive on Base & Right Sections TS T-Shaped Connector, Conductive Straight through Left & Right Sections	BK Black PW Pure White Powder Coat RAL 9016 WH Warm White Powder Coat RAL 9010



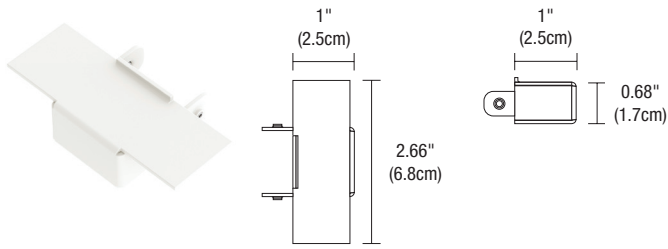
X-SHAPED CONNECTOR

X-Shaped Connector joins four sections of track 90° apart. It isolates the power of each section "XNC" or electrically conducts the power to section(s): all sections "XC", straight through two sections "XS", two sections with 90° turn "X90", four sections with two 90° turns "X290" or in a T-Shaped section "XT".

System	Circuit	Type	Color
TR24M	2C	XC	WH
TR24M TruTrack Magnetic Recessed 24VDC	2C Two Circuit	XC X- Shaped Conductive Connector XNC X-Shaped Non-Conductive Connector XS X-Shaped Connector, Conductive Straight through 2 Sections X90 X-Shaped Connector, Conductive on 2 Sections, 90° Turn XT X-Shaped Connector, Conductive on 3 Sections X290 X-Shaped Connector, Conductive on 4 Sections, (2) 90° Turns	BK Black PW Pure White Powder Coat RAL 9016 WH Warm White Powder Coat RAL 9010

TRUTRACK® MAGNETIC DIY

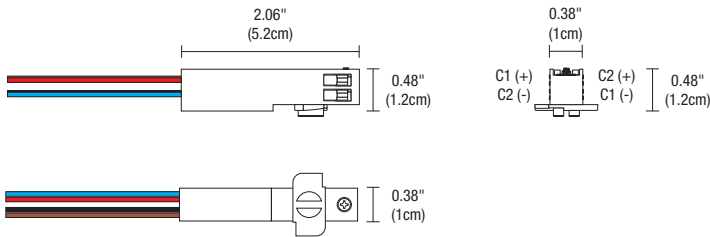
24VDC REMOTE POWER, RECESSED TWO-CIRCUIT TRACK SYSTEM



END CAP

Plaster over and paintable End Cap, needs to be ordered with each dead end of TR24M Track System.

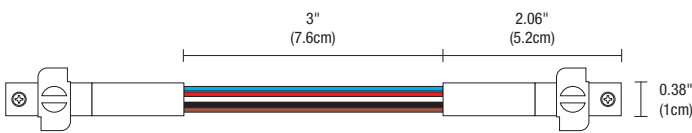
System	Type	Color
TR24	CA	WH
TR24 TruTrack® Recessed	CA End Cap	WH White



POWER FEED CONNECTOR

Included with each end of TR24M Track System.

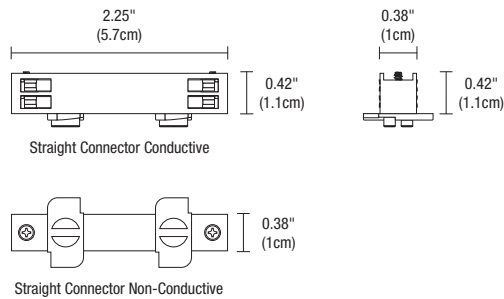
System	Circuit	Type
T24M	2C	P
T24M Track Magnetic 24VDC	2C Two Circuit	P Power Feed and Track Connector



POWER JUMPER

Included with each conductive connector for connecting two sections of track.

System	Circuit	Connector
T24M	2C	JC
T24M Track Magnetic 24VDC	2C Two Circuit	JC Jumper Connector

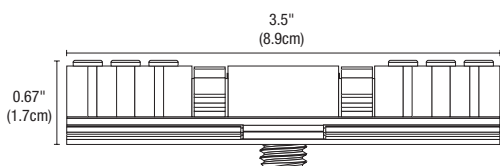


STRAIGHT CONNECTOR

Straight Connector joins two track sections end to end and is concealed by the slot covers. Included with each section of track.

System	Circuit	Type
T24M	2C	SC
T24M Track Magnetic 24VDC	2C Two Circuit	SC Straight Connector Conductive SNC Straight Connector Non-Conductive

INCLUDED WITH TRACK HEADS

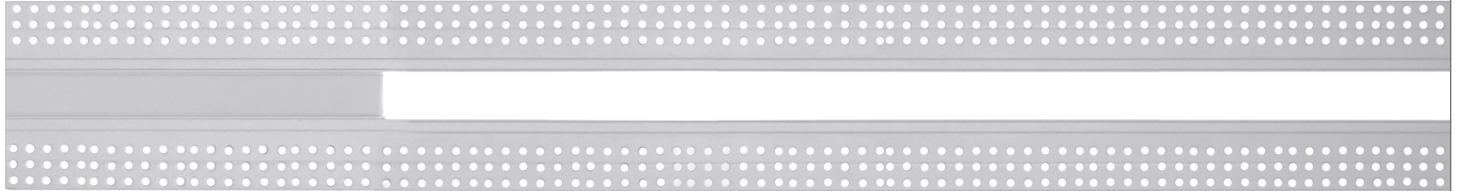


System	Circuit	Connector	Finish
T24M	2C	FJR	BK
T24M Track Magnetic 24VDC	2C Two Circuit	FJR Fast Jack Connector	BK Black PW Pure White Powder Coat RAL 9016 WH Warm White Powder Coat RAL 9010

PureEdge T24M Track Luminaires are compatible with TruTrack® Magnetic (**TR24M-2C**).

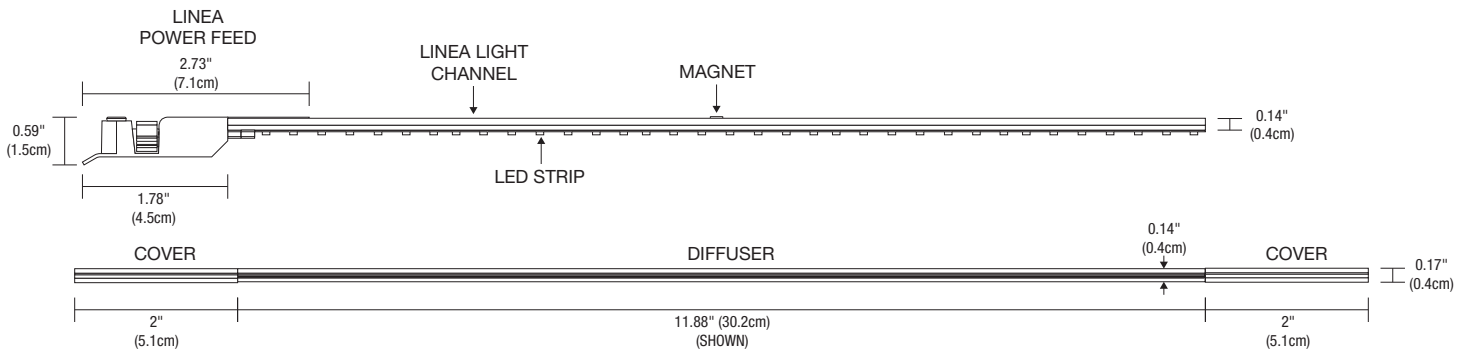
Linea by PureEdge Lighting is a low-profile linear luminaire engineered for our 2-Circuit Magnetic plaster-in systems, delivering clean lines and precise illumination. Integrated into a fully Low Voltage 24VDC system, delivering exceptional light output, color rendering and efficiency. Available in 2W and 5W per foot, and in multiple color temperatures including Warm Dim (30D), Linea is suited for a wide range of residential, retail, hospitality, and commercial applications.

LINEA TRACK LUMINAIRE

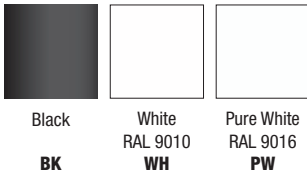


Linea Fixture with Plaster-in Detail

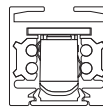
Recessed Linea Fixture



FINISHES

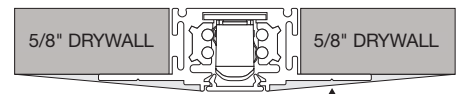


SURFACE TRACK MAGNETIC 2-CIRCUIT



LINEA

TRUTRACK MAGNETIC 2-CIRCUIT

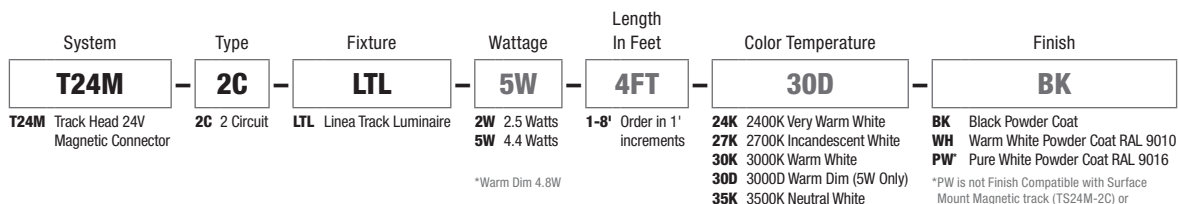


LINEA

BEAM ANGLE REFERENCE 45°

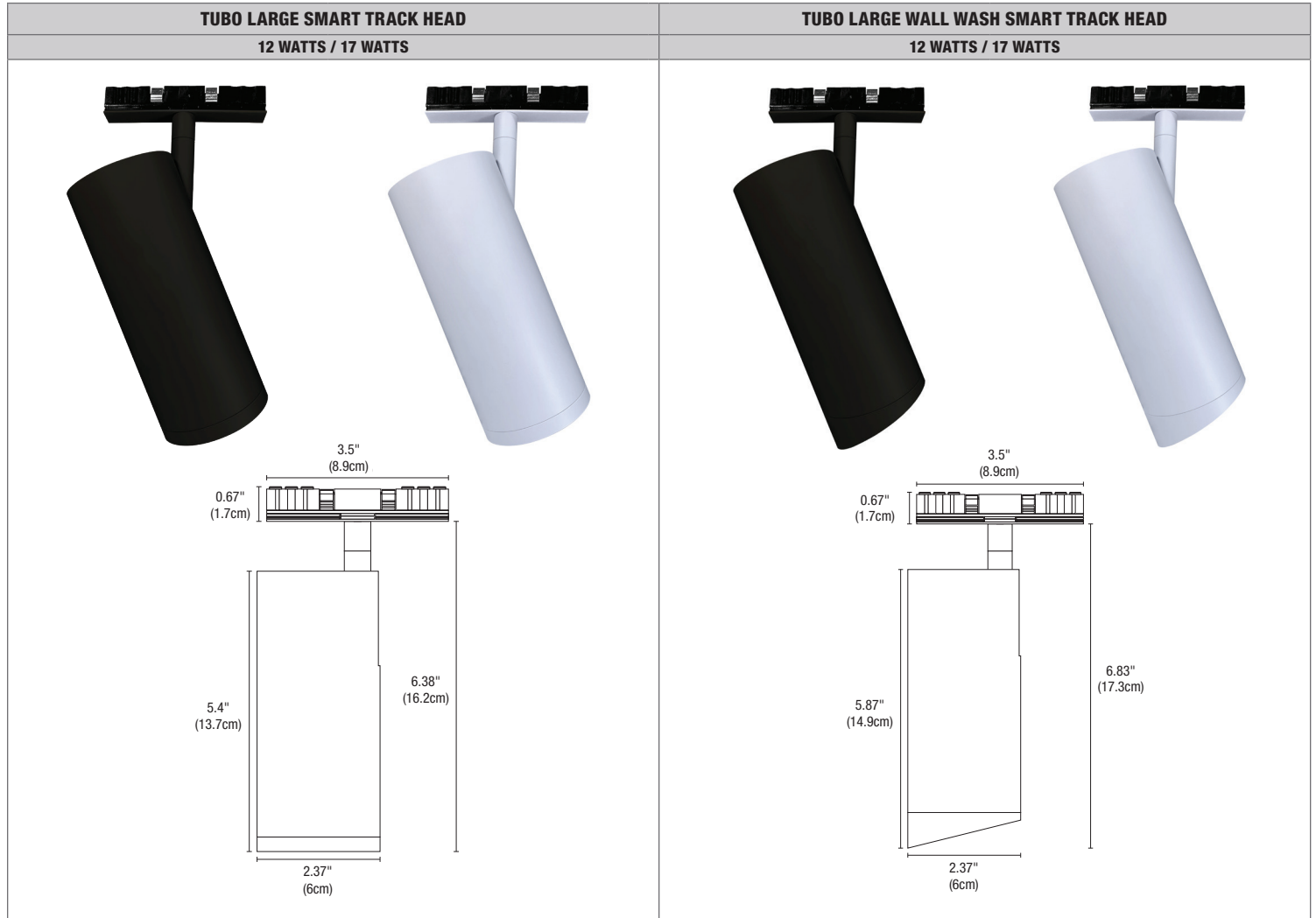
WATTS PER FOOT	2.5W					4.4W				
	24K	27K	30K	35K	24K	27K	30K	30D*	35K	
COLOR TEMPERATURE	24K	27K	30K	35K	24K	27K	30K	30D*	35K	
LUMENS PER FOOT (lm/ft)	100	101	105	120	184	186	194	221	222	
LUMENS PER WATT (lm/w)	40	40	42	48	42	42	44	46	51	
CRI	92+	92+	92+	92+	92+	92+	92+	94+	92+	

*30D - Warm Dim (4.8 Watts)



All uniform beam spread options are field changeable. See accessories page for more information.

Pure Smart™ TruColor™ RGBTW



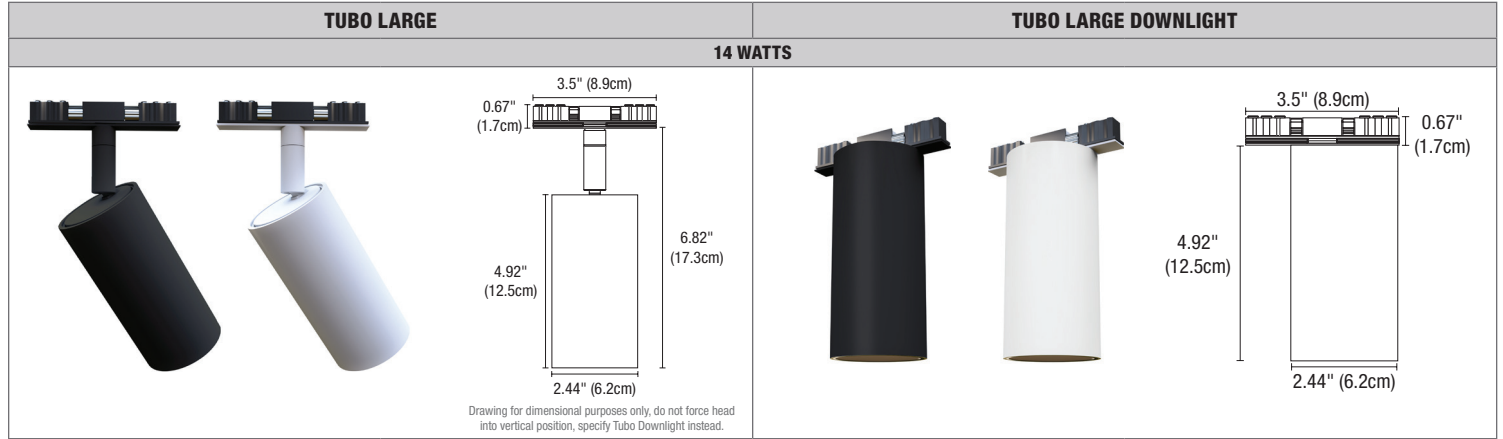
System	Type	Fixture	Wattage	Beam Spread Lens	Control	Color Temperature	Finish
T24M	2C	TU2L	17W	NF	WZ	TC	BK
T24M Track Head 24V Magnetic Connector	2C 2 Circuit	TU2L Tubo Large 2	12W 12 Watts 17W 17 Watts*	SP Spot 16° NF Narrow Flood 30° FL Flood 35° WF Wide Flood 45° WW Wall Wash	WZ WIZ Smart Control	TC TruColor™ RGBTW Red, Green, Blue & Tunable White 1500K- 6500K	BK Black Powder Coat PW Pure White Powder Coat RAL 9016 WH Warm White Powder Coat RAL 9010

*Not available for WH Finish *Has Aura Effect without diffusion film *Not available for Wall Wash

WATTS	12W									17W								
	20K	22K	24K	27K	30K	35K	40K	57K	65K	20K	22K	24K	27K	30K	35K	40K	57K	65K
COLOR TEMPERATURE	445	462	507	596	670	737	751	596	494	830	862	962	1130	1271	1401	1531	1307	1082
LUMENS	44	44	47	52	56	61	64	60	56	64	62	65	72	79	87	96	93	82
LUMENS PER WATT (lm/w)	86.7	88.3	89.7	93.2	95.2	96.8	96.7	93.9	91.6	86.4	88.4	91.8	94.7	95.9	97.3	96.5	94.8	93.3
CRI	-0.0027	-0.0011	-0.0019	-0.0022	-0.0023	-0.0005	-0.0005	-0.0041	-0.0036	0.0026	0.0026	0.0026	0.0033	0.0037	0.0024	0.0008	0.0024	0.0006
Duv	87	88	90	93	94	94	93	93	91	88	89	92	94	95	95	94	93	92
Rf	104	101	103	103	103	101	100	105	106	105	105	105	104	104	103	100	105	105
Rg	91	92	90	94	97	98	94	80	66	84	86	92	97	97	98	85	90	83
R9	83	85	87	91	93	96	96	93	92	82	85	89	93	94	96	99	96	96
R13	92	93	93	95	96	97	95	91	88	90	91	93	96	96	97	96	94	93
R15	10	11	11	12	12	12	12	10	9	13	14	15	16	16	16	16	14	13
WATTS																		

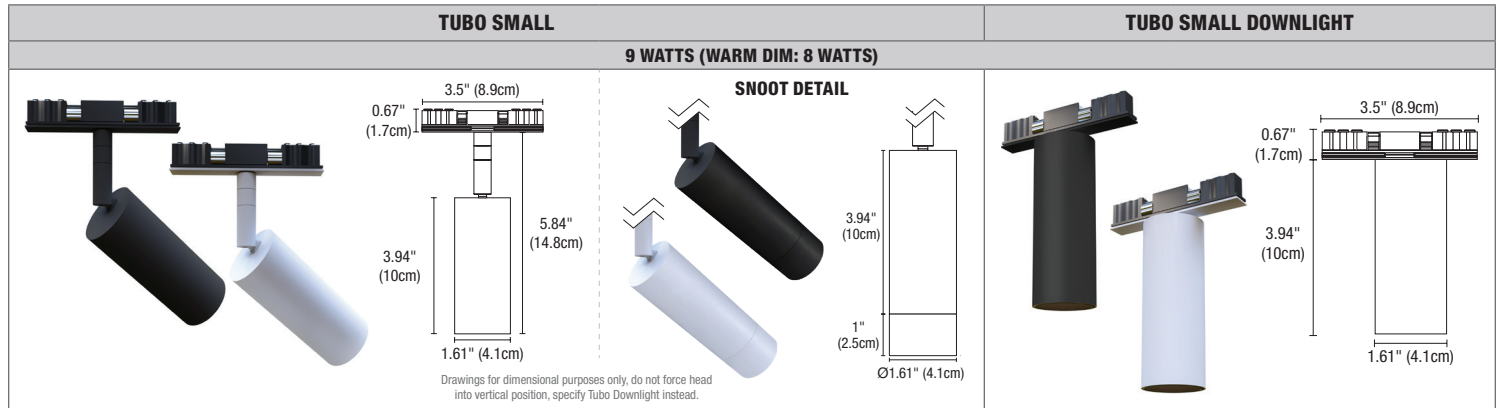
T24M TRACK LUMINAIRES, 2 CIRCUIT MAGNETIC 24VDC WITH INTEGRATED LED

All uniform beam spread options are field changeable. See accessories page for more information.



System	Type	Fixture	Beam Spread	Color Temperature	Finish
T24M	2C	TUBL	FL	30K	WH
T24M Track Head 24V Magnetic Connector	2C 2 Circuit	TUBL Tubo Large TUBLD Tubo Large Downlight	NS Narrow Spot 15° SP Spot 20° NF Narrow Flood 35° FL Flood 45° WF Wide Flood 60° For 7° use STB16 snoot with NS	24K 2400K Very Warm White 27K 2700K Incandescent White 30K 3000K Warm White 30D 3000D Warm Dim 35K 3500K Neutral White 30D NS: 7.5W 400 lumens	BK Black Powder Coat WH Warm White Powder Coat RAL 9010 PW Pure White Powder Coat RAL 9016

	BEAM ANGLE REFERENCE 45°				
COLOR TEMPERATURE	24K	27K	30K	30D	35K
TOTAL LUMENS	1238	1035	1069	683	1268
WATTS	14	14	14	14	14
LUMENS PER WATT (lm/w)	88	74	76	49	91
CRI	97	92	91	97	98
TM-30 DATA	R9: 60 Rf: 93 Rg: 98	R9: 97 Rf: 92 Rg: 100	R9: 64 Rf: 91 Rg: 98	R9: 90 Rf: 95 Rg: 102	R9: 92 Rf: 94 Rg: 101

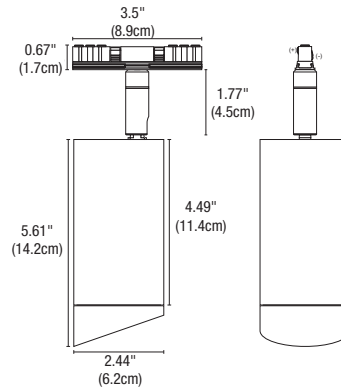


System	Type	Fixture	Beam Spread	Color Temperature	Finish
T24M	2C	TUBS	FL	30K	WH
T24M Track Head 24V Magnetic Connector	2C 2 Circuit	TUBS Tubo Small TUBSD Tubo Small Downlight	NS* Narrow Spot 15° SP Spot 25° NF Narrow Flood 35° FL Flood 45° WF Wide Flood 60° *NS with 30D Warm Dim uses snoot	24K 2400K Very Warm White 27K 2700K Incandescent White 30K 3000K Warm White 30D 3000D Warm Dim 35K 3500K Neutral White	BK Black Powder Coat WH Warm White Powder Coat RAL 9010

	BEAM ANGLE REFERENCE 45°				
COLOR TEMPERATURE	24K	27K	30K	30D	35K
TOTAL LUMENS	503	420	434	287	515
WATTS	9	9	9	8	9
LUMENS PER WATT (lm/w)	59	49	51	39	61
CRI	97	92	93	94	98
TM-30 DATA	R9: 60 Rf: 93 Rg: 98	R9: 97 Rf: 92 Rg: 100	R9: 64 Rf: 91 Rg: 98	R9: 90 Rf: 95 Rg: 102	R9: 92 Rf: 94 Rg: 101

TUBO LARGE WALL WASH

15 WATTS

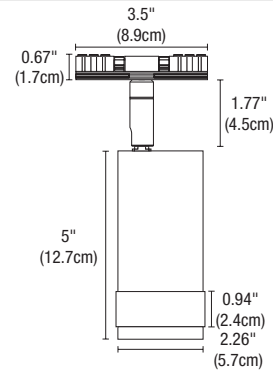


System	Type	Fixture	Beam Spread	Color Temperature	Finish
T24M	2C	TUBL	WW	30K	BK
T24M Track Head 24V Magnetic Connector	2C 2 Circuit	TUBL Tubo Large	WW Wall Wash	24K 2400K Very Warm White 27K 2700K Incandescent White 30K 3000K Warm White 30D 3000K Warm Dim to 1800K 35K 3500K Neutral White	BK Black Powder Coat WH Warm White Powder Coat RAL 9010

TUBO WALL WASH	
COLOR TEMPERATURE	30K
TOTAL LUMENS	884
WATTS	15
LUMENS PER WATT (lm/w)	59
CRI	92
TM-30 DATA	R9: 61.2 Rf: 92 Rg: 100

ZOOM

16 WATTS

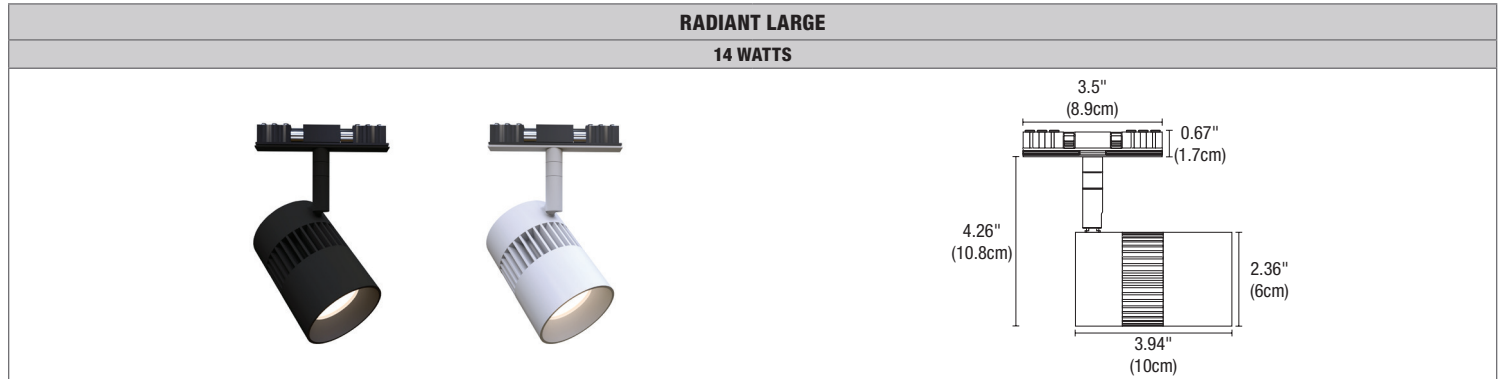


System	Type	Fixture	Beam Spread	Color Temperature	Finish
T24M	2C	ZOOM	Z2	30K	BK
T24M Track Head 24V Magnetic Connector	2C 2 Circuit	ZOOM Zoom	Z1 Zoom Adjust 15° to 55° Z2 Zoom Adjust 20° to 50°	24K 2400K Very Warm White 27K 2700K Incandescent White 30K 3000K Warm White 30D 3000K Warm Dim to 1800K* 35K 3500K Neutral White	BK Black Powder Coat WH Warm White Powder Coat RAL 9010

*Only available for Z2

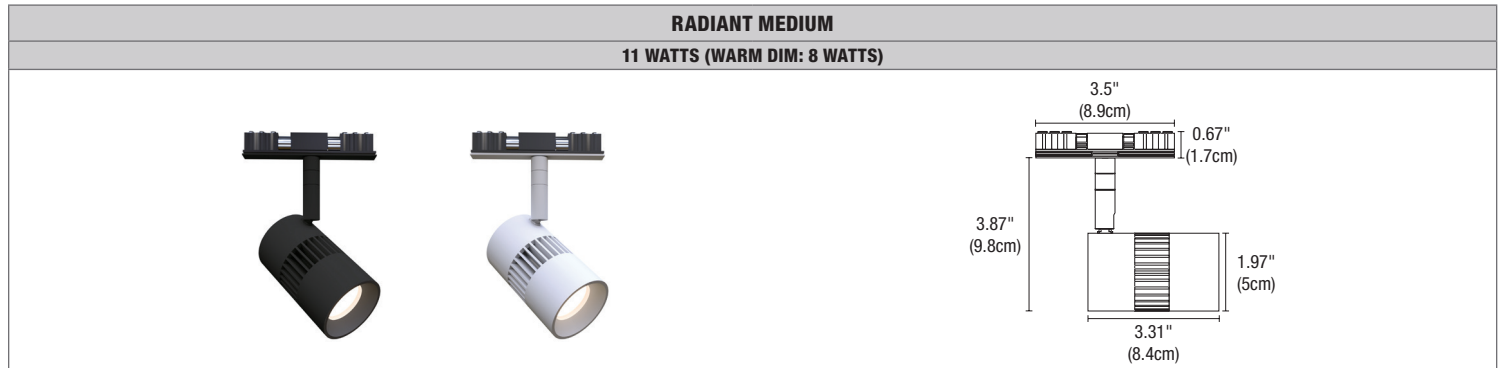
	Z1		Z2		Z2	
BEAM ANGLE	15°	55°	20°	50°	20°	50°
COLOR TEMPERATURE	30K	30K	30K	30K	30D	30D
TOTAL LUMENS	686	873	795	1188	727	879
WATTS	16	16	16	16	15	15
LUMENS PER WATT (lm/w)	46	61	69	89	50	61
CRI	93	93	94	94	97	97
TM-30 DATA	R9: 66 Rf: 92 Rg: 101	R9: 66 Rf: 92 Rg: 101	R9: 74 Rf: 92 Rg: 102	R9: 74 Rf: 92 Rg: 102	R9: 66 Rf: 94 Rg: 101	R9: 66 Rf: 94 Rg: 101

All uniform beam spread options are field changeable.



System	Type	Fixture	Beam Spread	Color Temperature	Finish
T24M	2C	RADL	FL	30K	WH
T24M Track Head 24V Magnetic Connector	2C 2 Circuit	RADL Radiant Large	NS Narrow Spot 10° SP Spot 20° NF Narrow Flood 35° FL Flood 45° WF Wide Flood 60° <small>Warm Dim: NS (15°), SP (25°)</small>	24K 2400K Very Warm White 27K 2700K Incandescent White 30K 3000K Warm White 30D 3000D Warm Dim* 35K 3500K Neutral White <small>*Not available in NF</small>	BK Black Powder Coat WH White Powder Coat

	BEAM ANGLE REFERENCE 45°				
COLOR TEMPERATURE	24K	27K	30K	30D	35K
TOTAL LUMENS	1389	1161	1199	838	1422
WATTS	14	14	14	14	14
LUMENS PER WATT (lm/w)	99	83	86	58	102
CRI	97	92	93	97	98
TM-30 DATA	R9: 60 Rf: 93 Rg: 98	R9: 97 Rf: 92 Rg: 100	R9: 64 Rf: 91 Rg: 98	R9: 90 Rf: 95 Rg: 102	R9: 92 Rf: 94 Rg: 101



System	Type	Fixture	Beam Spread	Color Temperature	Finish
T24M	2C	RADM	FL	30K	WH
T24M Track Head 24V Magnetic Connector	2C 2 Circuit	RADM Radiant Medium	SP Spot 20° NF Narrow Flood 35° FL Flood 45° WF Wide Flood 60°	24K 2400K Very Warm White 27K 2700K Incandescent White 30K 3000K Warm White 30D 3000D Warm Dim 35K 3500K Neutral White	BK Black Powder Coat WH White Powder Coat

	BEAM ANGLE REFERENCE 45°				
COLOR TEMPERATURE	24K	27K	30K	30D	35K
TOTAL LUMENS	765	639	660	360	783
WATTS	11	11	11	8	11
LUMENS PER WATT (lm/w)	70	58	64	47	76
CRI	97	92	93	93	98
TM-30 DATA	R9: 97 Rf: 92 Rg: 100	R9: 64 Rf: 91 Rg: 98	R9: 90 Rf: 95 Rg: 102	R9: 92 Rf: 94 Rg: 101	R9: 92 Rf: 94 Rg: 101

T24M TRACK LUMINAIRES, 2 CIRCUIT MAGNETIC

24VDC WITH INTEGRATED LED

Additional Lenses and Accessories

REV 03.13.26

TUBO LARGE LENS		SNOOT		LOUVER	FOCUS LENS	LINEAR SPREAD FILM	
ORDERING CODE	STATIC WHITE LEN-TUBL-NS-SW LEN-TUBL-SP-SW LEN-TUBL-NF-SW LEN-TUBL-FL-SW LEN-TUBL-WF-SW	WARM DIM LEN-TUBL-SP-WD LEN-TUBL-NF-WD LEN-TUBL-FL-WD LEN-TUBL-WF-WD	STB16-BK STB16-WH (WHITE SHELL)	ST16-BK ST16-WH	L016-H	LF-TUBL-SF (SOFT FOCUS), MF (MEDIUM FOCUS), WF (WIDE FOCUS)	LF-TUBL-LS
LENS SIZE	2" (50mm) Diameter						
BEAM SPREADS	NS (10°), SP (20°), NF (35°) FL (45°), WF (60°)		Conical snoot creates a 7° Beam spread and is designed to reduce spill and control glare. Spun aluminum.	Snoot is designed to reduce spill and control glare. Spun aluminum.	Hexcell louver eliminates glare. 0.125" Thickness.	Soft focus lens is included with every track head. Diffuses the beam, providing uniform illumination.	Linear spread film: directs the light into an elongated beam. Typical applications using 10°, 15°, 25° include illuminating landscape oriented art. 35°, 40°, 60° create an elongated oval typically used for wall washing.

TUBO SMALL LENS		SNOOT		LOUVER	FOCUS LENS	LINEAR SPREAD FILM
ORDERING CODE	STATIC WHITE LEN-TUBS-NS-SW LEN-TUBS-SP-SW LEN-TUBS-NF-SW LEN-TUBS-FL-SW LEN-TUBS-WF-SW	WARM DIM LEN-TUBS-NS-WD LEN-TUBS-SP-WD LEN-TUBS-NF-WD LEN-TUBS-FL-WD LEN-TUBS-WF-WD	TUBS-ST-BK TUBS-ST-WH (WHITE SHELL)	L011-H	LF-TUBS-SF (SOFT FOCUS), MF (MEDIUM FOCUS), WF (WIDE FOCUS)	LF-TUBS-LS
LENS SIZE	1.37" (35mm) Diameter					
BEAM SPREADS	NS (15°), SP (25°), NF (35°), FL (45°), WF (60°)		Conical snoot creates a 7° Beam spread and is designed to reduce spill and control glare. Spun aluminum.	Hexcell louver eliminates glare. 0.125" Thickness.	Soft focus lens is included with every track head. Diffuses the beam, providing uniform illumination.	Linear spread film: directs the light into an elongated beam. Typical applications using 10°, 15°, 25° include illuminating landscape oriented art. 35°, 40°, 60° create an elongated oval typically used for wall washing.

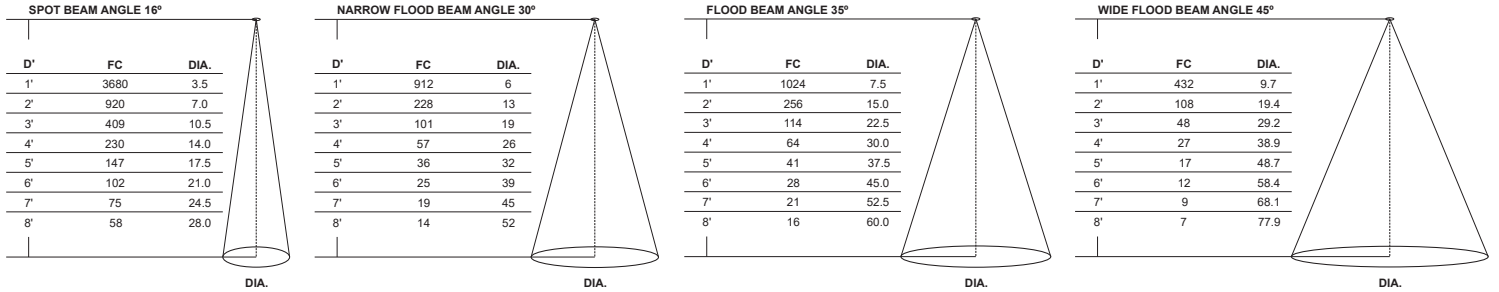
RADIANT LARGE LENS		SNOOT		LOUVER	FOCUS LENS	LINEAR SPREAD FILM
ORDERING CODE	STATIC WHITE LEN-RADL-NS-SW LEN-RADL-SP-SW LEN-RADL-NF-SW LEN-RADL-FL-SW LEN-RADL-WF-SW	WARM DIM LEN-RADL-NS-WD LEN-RADL-SP-WD LEN-RADL-FL-WD LEN-RADL-WF-WD	STB16-BK STB16-WH (WHITE SHELL)	L016-H	LF-RADL-SF (SOFT FOCUS), MF (MEDIUM FOCUS), WF (WIDE FOCUS)	LF-RADL-LS
LENS SIZE	2" (50mm) Diameter					
BEAM SPREADS	NS (10°), SP (20°), NF (35°), FL (45°), WF (60°)	NS (15°), SP (25°), FL (45°), WF (60°)	Conical snoot creates a 7° Beam spread and is designed to reduce spill and control glare. Spun aluminum.	Hexcell louver eliminates glare. 0.125" Thickness.	Soft focus lens is included with every track head. Diffuses the beam, providing uniform illumination.	Linear spread film: directs the light into an elongated beam. Typical applications using 10°, 15°, 25° include illuminating landscape oriented art. 35°, 40°, 60° create an elongated oval typically used for wall washing.

RADIANT MEDIUM LENS		LOUVER	FOCUS LENS	LINEAR SPREAD FILM
ORDERING CODE	STATIC WHITE LEN-RADM-SP-SW LEN-RADM-NF-SW LEN-RADM-FL-SW LEN-RADM-WF-SW	L011-H	LF-RADM-SF (SOFT FOCUS) MF (MEDIUM FOCUS), WF (WIDE FOCUS)	LF-RADM-LS
LENS SIZE	1.37" (35mm) Diameter			
BEAM SPREADS	SP (20°), NF (35°), FL (45°), WF (60°)		Hexcell louver eliminates glare. 0.125" Thickness.	Soft focus lens is included with every track head. Diffuses the beam, providing uniform illumination.
			Linear spread film: directs the light into an elongated beam. Typical applications using 10°, 15°, 25° include illuminating landscape oriented art. 35°, 40°, 60° create an elongated oval typically used for wall washing.	

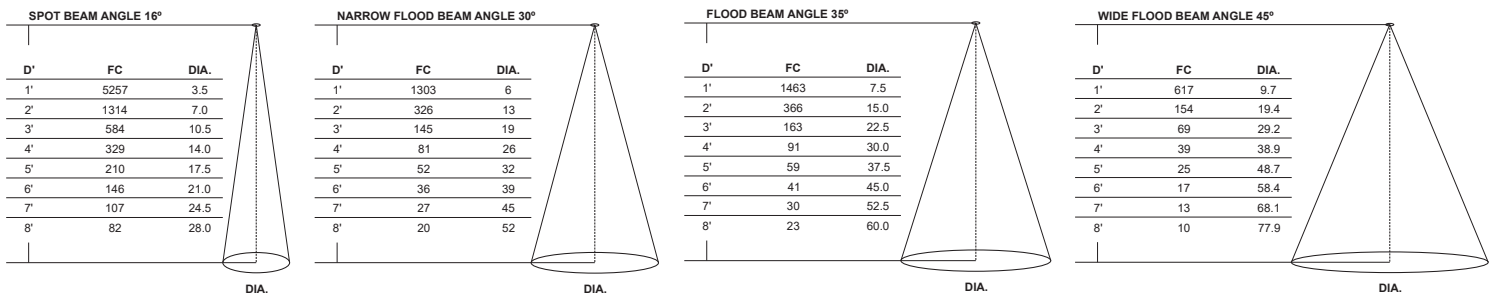
TUBO LARGE RGBTW SMART TRACKHEAD Photometric Data at 3000K

D - Distance from TUBO LARGE fixture
FC - Initial foot candles at the center of beam
DIA - Diameter

12 Watt

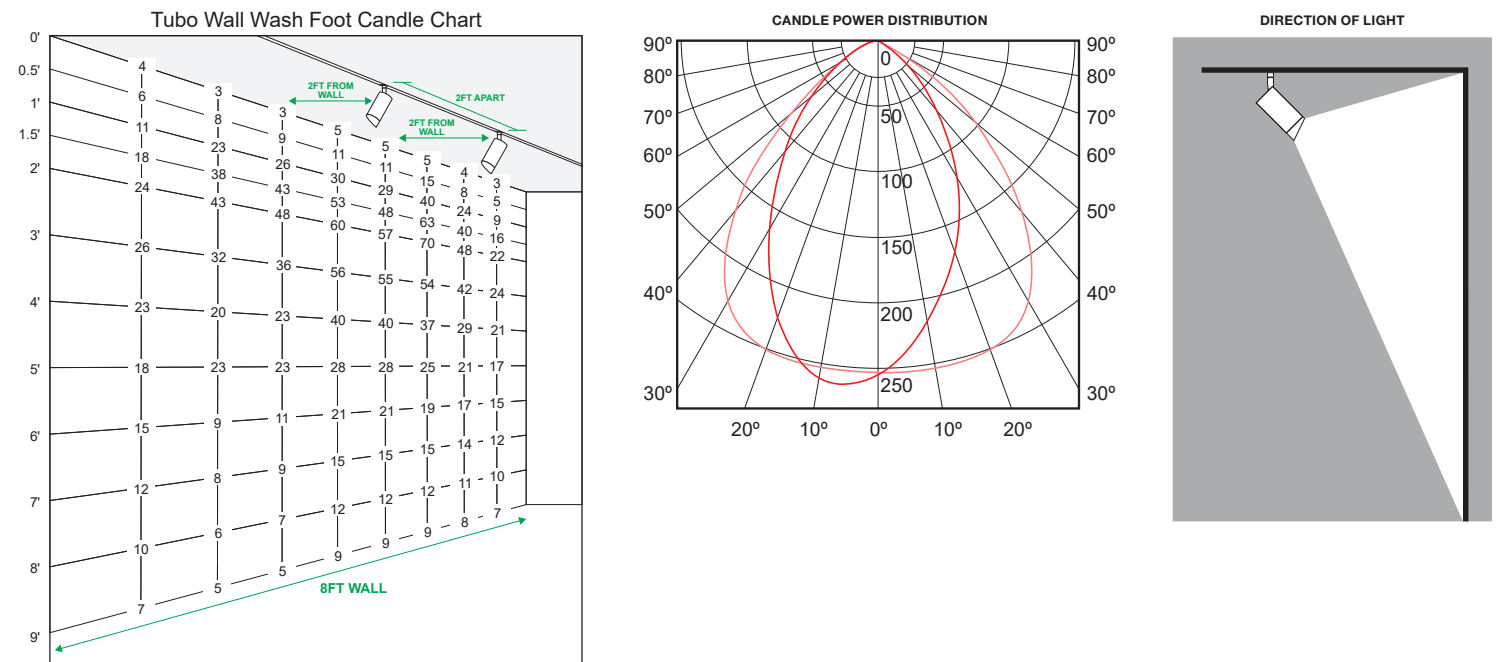


17 Watt



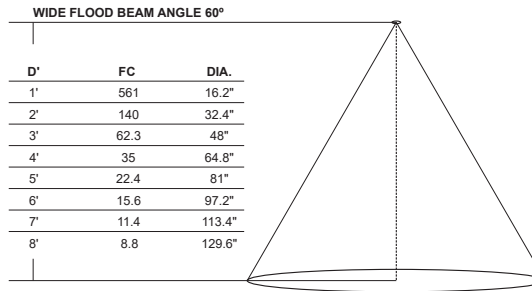
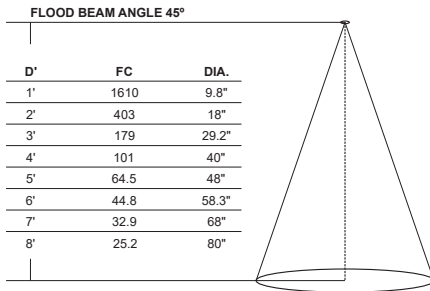
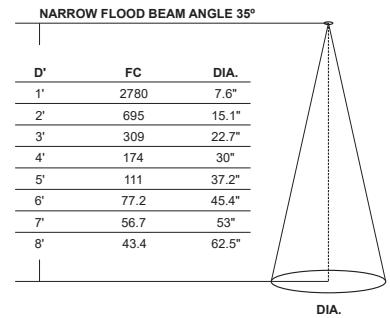
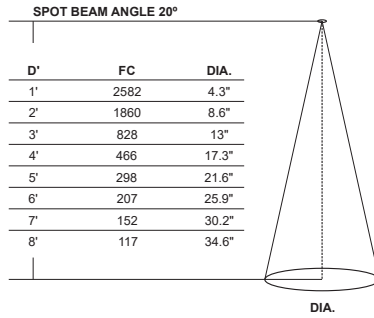
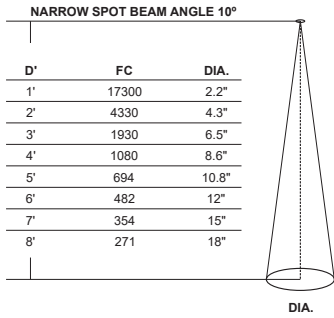
TUBO WALL WASH RGBTW SMART TRACKHEAD Photometric Data at 3000K

D - Distance from fixture
FC - Initial foot candles at the center of beam
DIA - Diameter



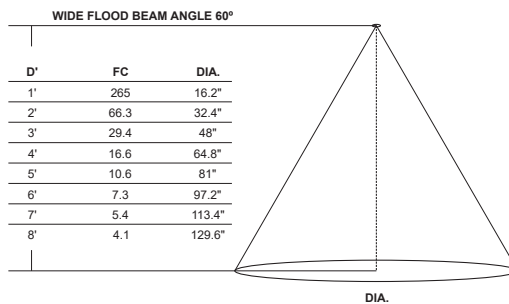
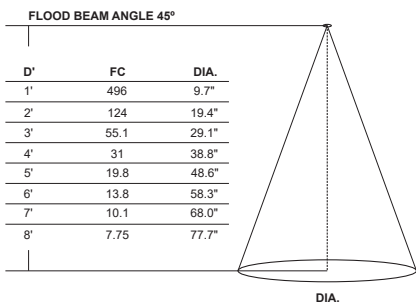
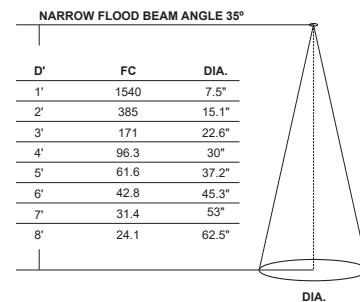
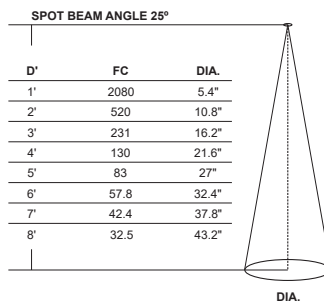
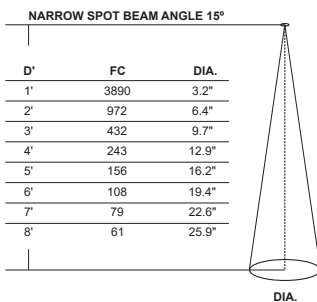
TUBO LARGE Photometric Data at 3000K

D - Distance from fixture
FC - Initial foot candles at the center of beam
DIA - Diameter



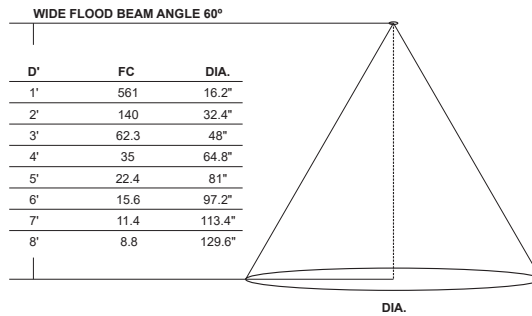
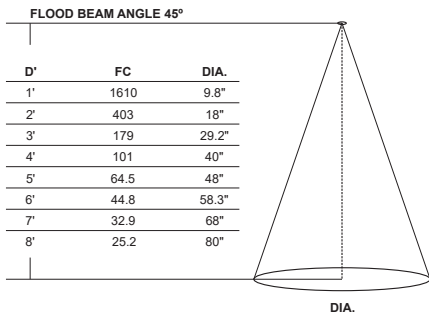
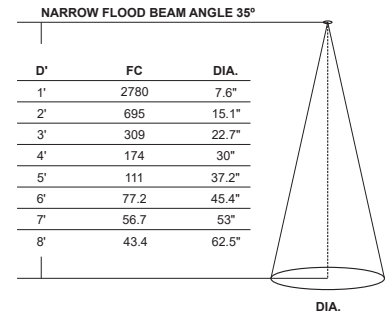
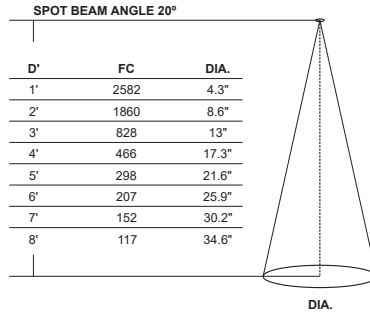
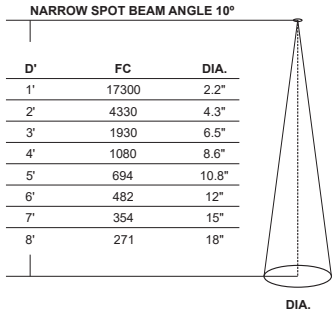
TUBO SMALL Photometric Data at 3000K

D - Distance from fixture
FC - Initial foot candles at the center of beam
DIA - Diameter



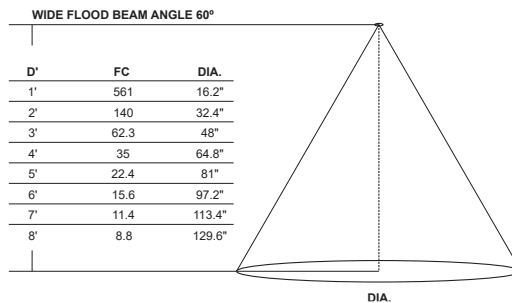
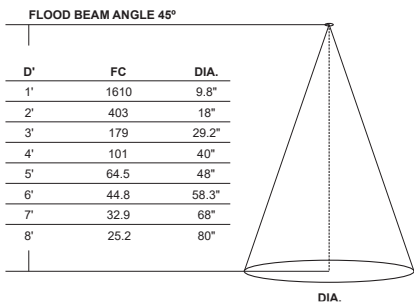
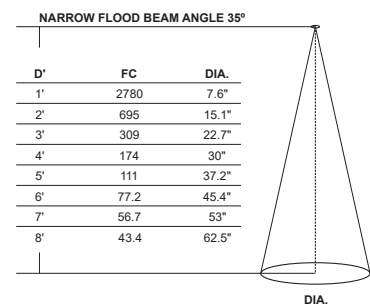
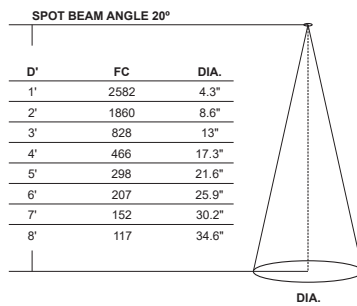
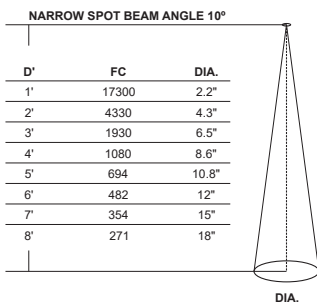
TUBO LARGE DOWNLIGHT Photometric Data at 3000K

D - Distance from fixture
FC - Initial foot candles at the center of beam
DIA - Diameter



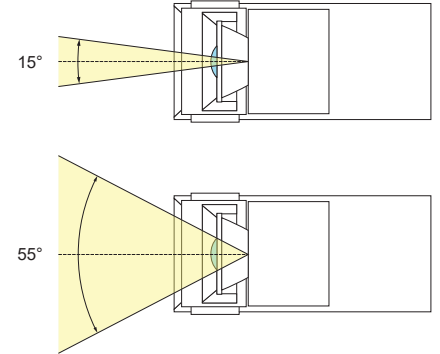
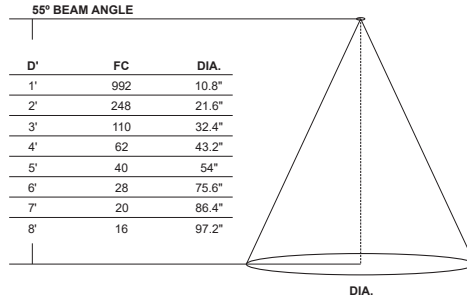
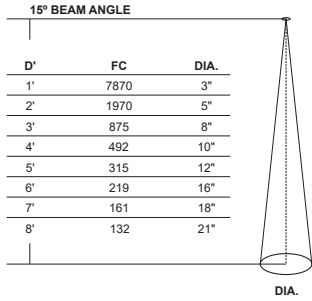
TUBO SMALL DOWNLIGHT Photometric Data at 3000K

D - Distance from fixture
FC - Initial foot candles at the center of beam
DIA - Diameter



ZOOM Z1 Photometric Data at 3000K

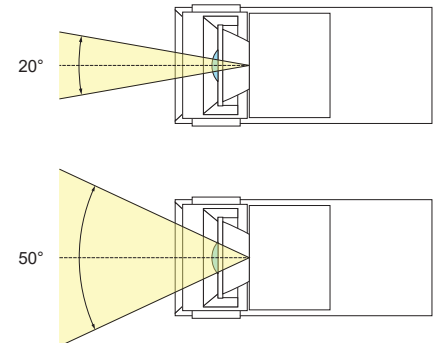
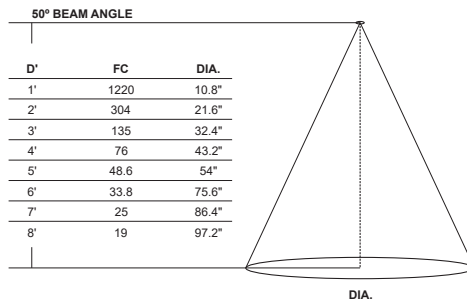
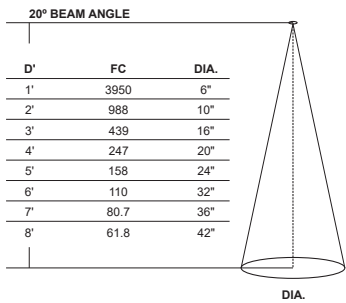
D - Distance from fixture
FC - Initial foot candles at the center of beam
DIA - Diameter



Z1: Adjustable between 15° and 55°

ZOOM Z2 Photometric Data at 3000K

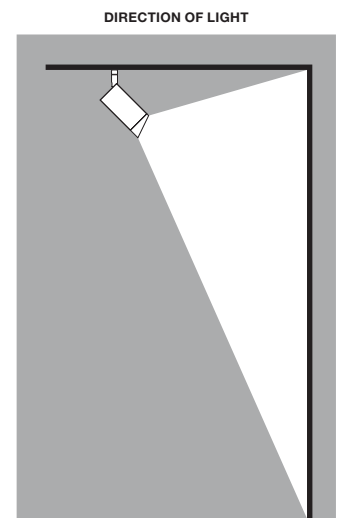
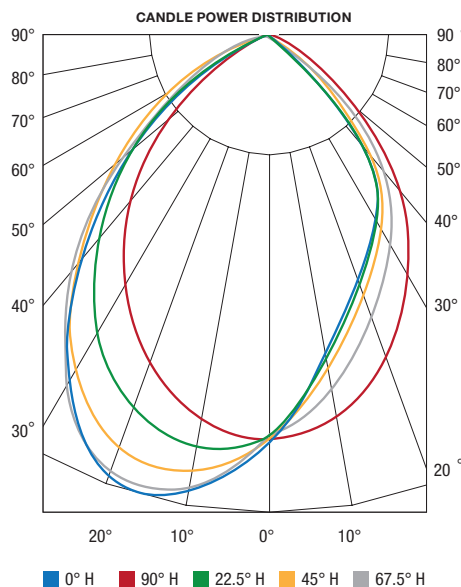
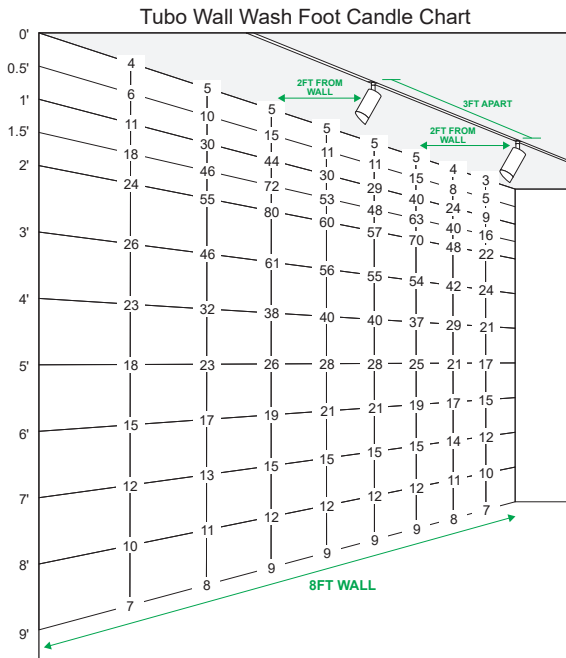
D - Distance from fixture
FC - Initial foot candles at the center of beam
DIA - Diameter



Z2: Adjustable between 20° and 50°

TUBO WALL WASH Photometric Data at 3000K

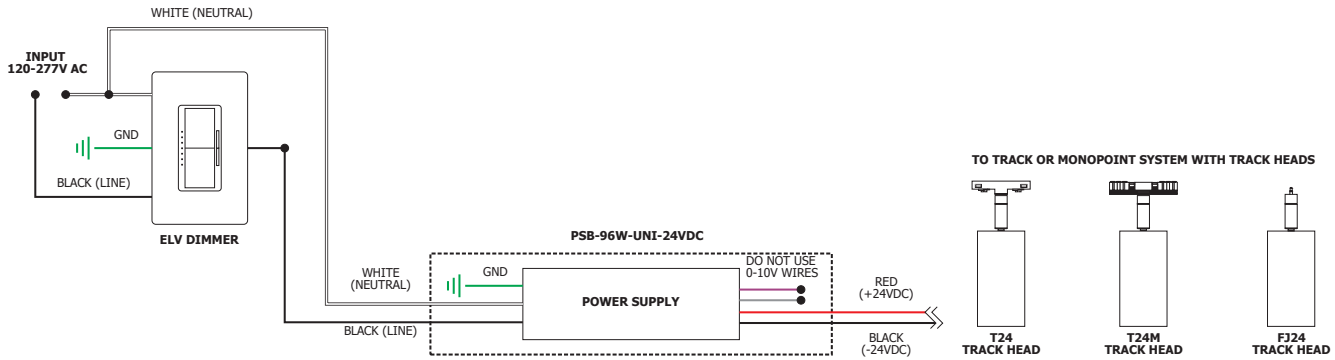
D - Distance from fixture
FC - Initial foot candles at the center of beam
DIA - Diameter



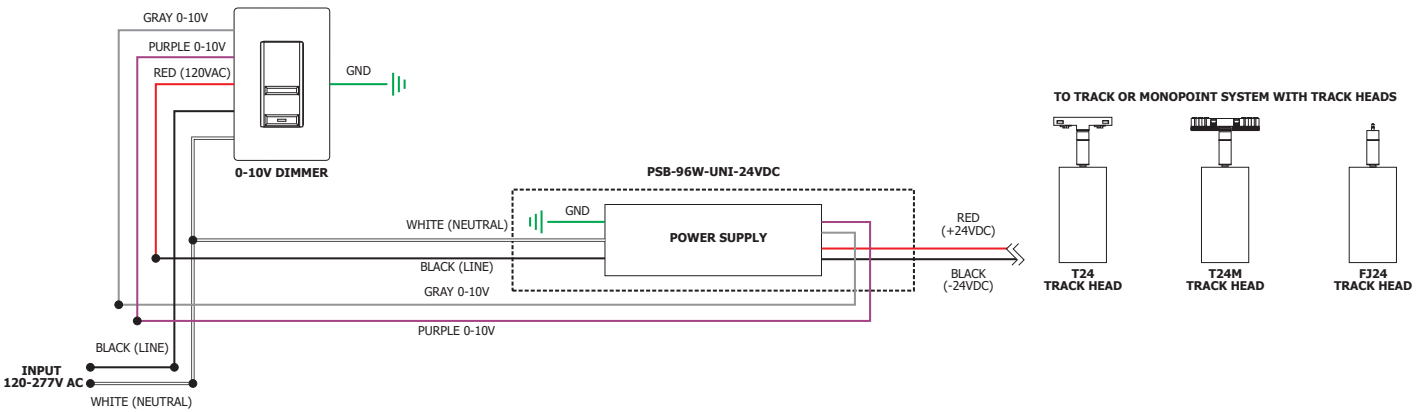
UNIVERSAL POWER SUPPLIES WITH TRIM

24VDC, UNIVERSAL DIMMING (ELV, TRIAC, 0-10V) STATIC WHITE & WARM DIM FOR TRACK HEADS

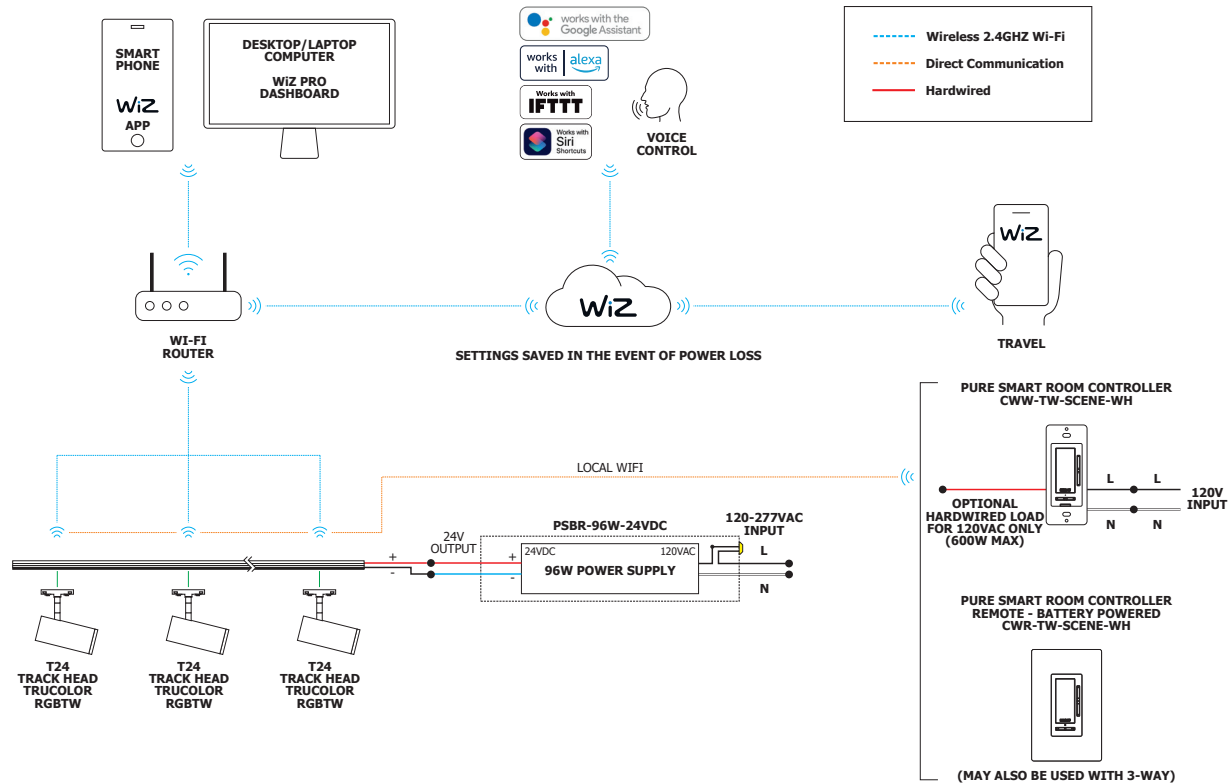
ELV WIRING DIAGRAM



0-10V WIRING DIAGRAM



SMART WIRING DIAGRAM & NETWORK TOPOGRAPHY

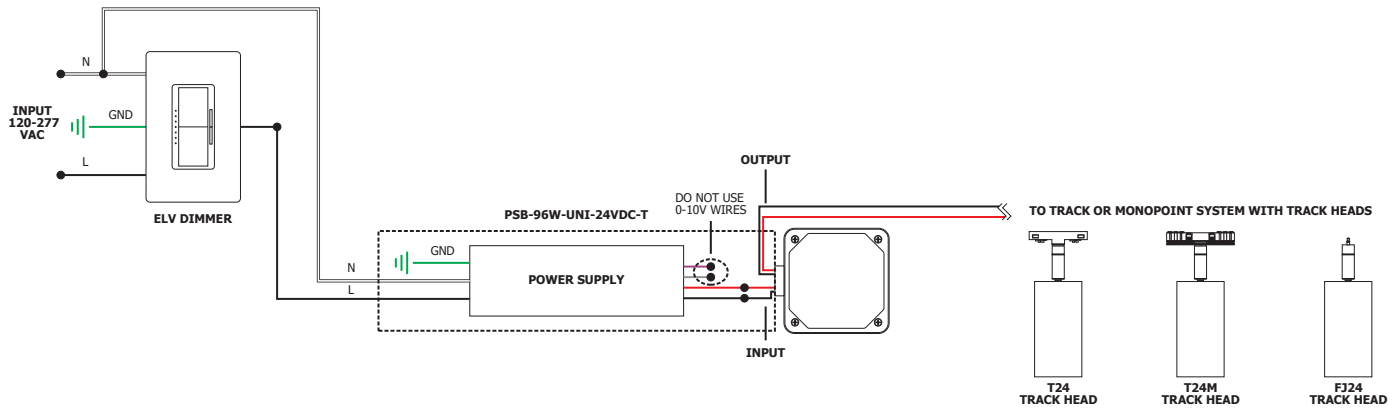


UNIVERSAL POWER SUPPLIES WITH TRIM

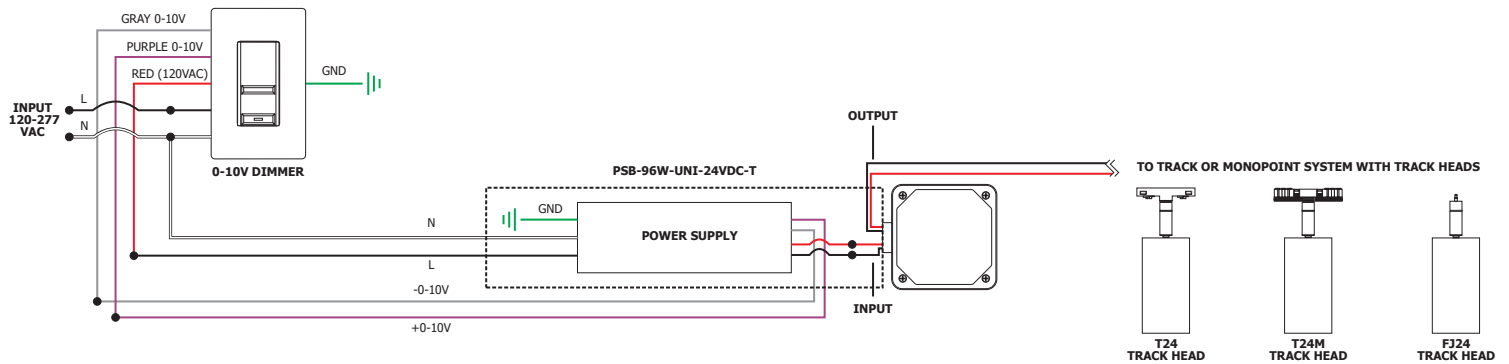
24VDC, UNIVERSAL DIMMING (ELV, TRIAC, 0-10V) STATIC WHITE & WARM DIM FOR TRACK HEADS

REV 03.13.26

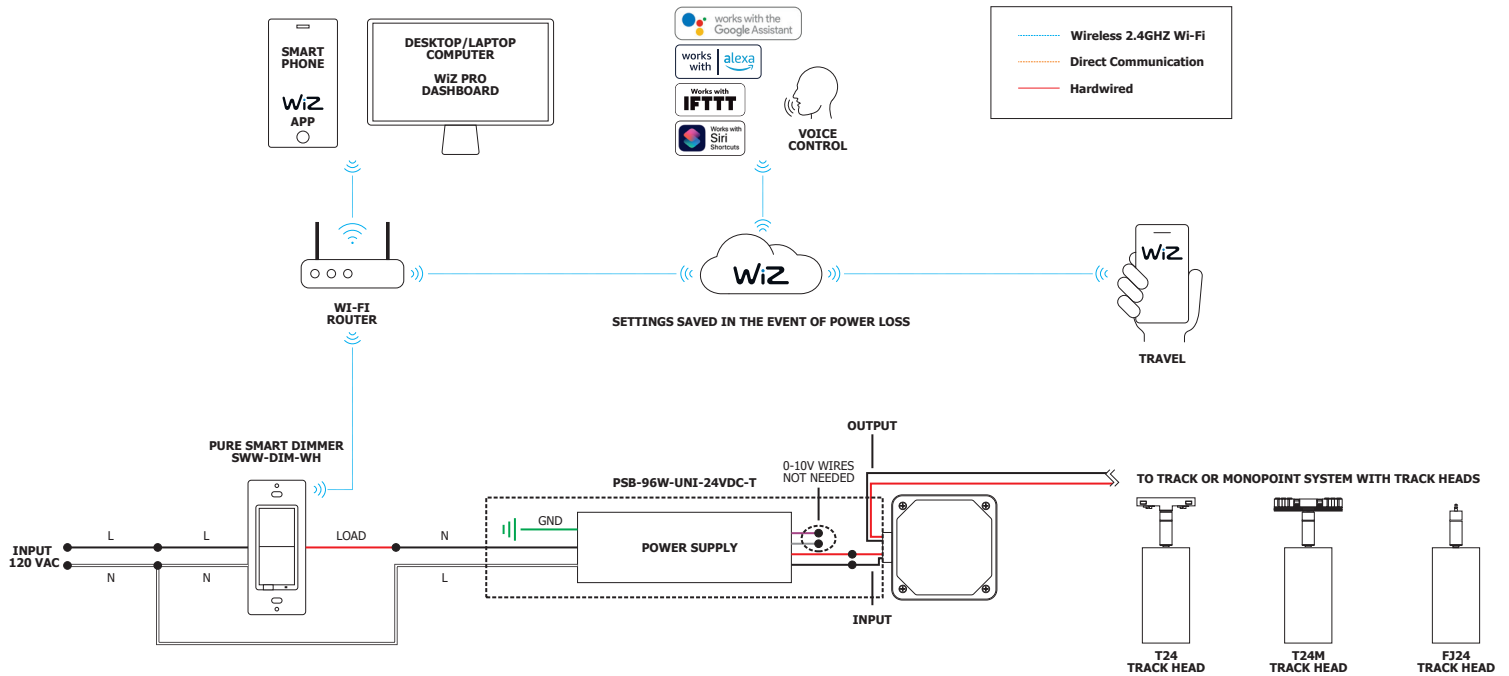
ELV WIRING DIAGRAM



0-10V WIRING DIAGRAM



SMART WIRING DIAGRAM & NETWORK TOPOGRAPHY

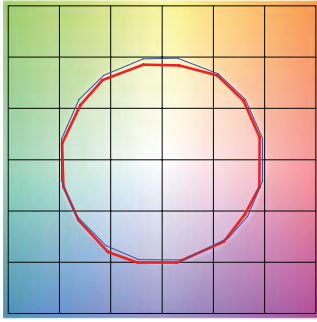


TM30 DATA

24VDC REMOTE POWER, RECESSED TWO-CIRCUIT TRACK SYSTEM

TM-30-15 DATA: Consistent color temperatures among multiple track heads is possible through a 3 phase binning process in which each order is inspected with a color meter to ensure uniformity.

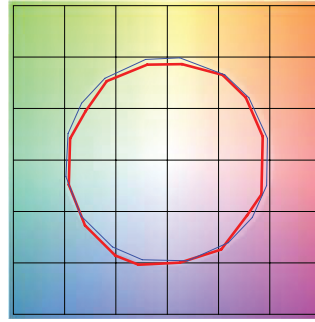
2400K | Rf: 91.2 | Rg: 96.8
Color Vector Graphic



■ Test ■ Reference

HUE BIN	Rf	GRAPHIC SHIFTS %	
		CHROMA	HUE
1	92.0	-2.4%	1.5%
2	94.7	-2.1%	0.0%
3	95.4	-1.9%	-0.1%
4	88.7	-6.7%	-3.1%
5	92.8	-5.6%	1.0%
6	92.7	-3.4%	3.4%
7	89.9	-4.3%	4.1%
8	92.4	-1.4%	4.4%
9	89.0	-0.6%	5.8%
10	88.9	0.4%	6.2%
11	89.7	4.0%	5.4%
12	92.6	3.0%	-0.7%
13	90.9	1.1%	-7.0%
14	89.9	0.5%	-5.8%
15	92.1	-3.2%	0.1%
16	88.9	-1.7%	-6.3%

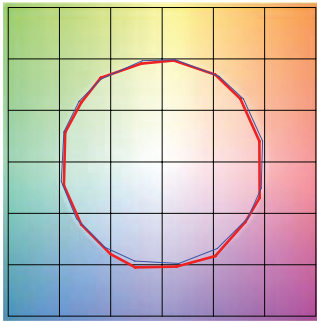
2700K | Rf: 87.7 | Rg: 96.1
Color Vector Graphic



■ Test ■ Reference

HUE BIN	Rf	GRAPHIC SHIFTS %	
		CHROMA	HUE
1	88.0	-4.3%	2.6%
2	91.6	-2.4%	2.0%
3	93.7	-1.4%	1.9%
4	88.9	-5.6%	-3.1%
5	92.3	-5.5%	-0.5%
6	92.9	-3.5%	0.1%
7	84.5	-7.5%	4.6%
8	90.8	-3.0%	4.4%
9	84.5	-1.3%	8.3%
10	83.9	2.0%	9.8%
11	87.2	5.3%	7.1%
12	89.2	5.4%	-2.6%
13	88.7	0.3%	-7.8%
14	86.8	1.7%	-9.3%
15	87.6	-5.4%	-1.3%
16	83.6	-3.3%	-9.5%

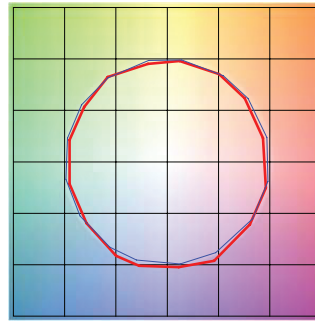
3000K | Rf: 88.1 | Rg: 99.7
Color Vector Graphic



■ Test ■ Reference

HUE BIN	Rf	GRAPHIC SHIFTS %	
		CHROMA	HUE
1	92.5	-3.1%	0.3%
2	93.3	-2.3%	1.9%
3	90.9	-0.8%	3.9%
4	94.3	-1.1%	1.4%
5	92.5	-2.6%	1.5%
6	96.4	1.2%	-0.3%
7	92.6	-2.5%	-0.0%
8	96.9	-1.4%	0.2%
9	92.3	-1.8%	4.3%
10	86.6	-0.7%	7.0%
11	86.5	2.4%	8.2%
12	89.8	5.9%	1.7%
13	93.9	2.6%	-2.7%
14	89.4	5.1%	-5.8%
15	90.1	-0.1%	-4.7%
16	86.5	0.3%	-9.7%

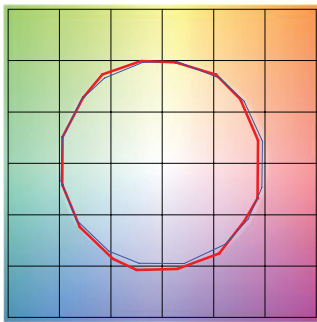
3500K | Rf: 86.1 | Rg: 95.5
Color Vector Graphic



■ Test ■ Reference

HUE BIN	Rf	GRAPHIC SHIFTS %	
		CHROMA	HUE
1	90.8	-3.8%	0.3%
2	92.3	-2.8%	2.1%
3	89.7	-1.0%	4.3%
4	92.6	-1.4%	1.7%
5	91.8	-3.1%	1.3%
6	96.2	0.8%	-0.4%
7	92.9	-3.2%	0.2%
8	94.3	-2.5%	1.5%
9	90.4	-2.5%	5.2%
10	84.3	-1.4%	9.5%
11	83.1	3.5%	9.8%
12	88.2	4.8%	3.4%
13	94.0	2.7%	-2.0%
14	88.7	5.9%	-5.8%
15	88.7	0.7%	-5.9%
16	86.8	-0.7%	-6.7%

3000D | Rf: 89.8 | Rg: 101.4
Color Vector Graphic



■ Test ■ Reference

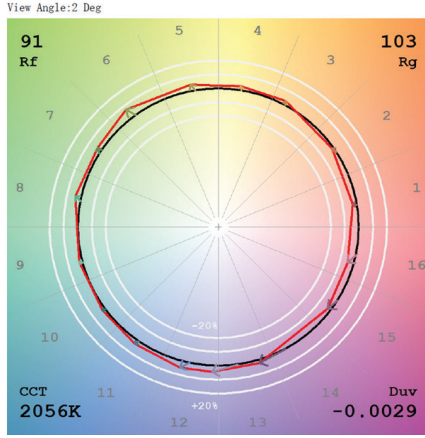
HUE BIN	Rf	GRAPHIC SHIFTS %	
		CHROMA	HUE
1	90.2	-4.2%	1.5%
2	90.9	-2.0%	3.7%
3	87.9	0.8%	5.5%
4	92.1	-0.9%	0.6%
5	93.0	1.5%	1.6%
6	92.2	3.9%	-0.2%
7	92.1	-0.3%	-2.0%
8	96.7	0.0%	-1.2%
9	92.5	-0.6%	3.7%
10	88.3	1.1%	7.0%
11	87.2	4.1%	7.4%
12	87.2	6.7%	-1.0%
13	88.2	3.8%	-7.2%
14	85.3	4.3%	-9.9%
15	90.9	-2.2%	-3.6%
16	83.4	-2.2%	-11.2%

TM30 DATA

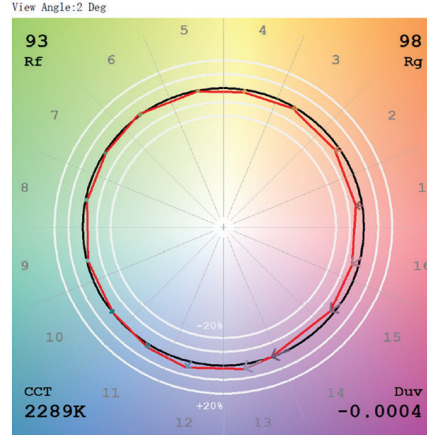
24VDC REMOTE POWER, RECESSED TWO-CIRCUIT TRACK SYSTEM

TM-30-15 DATA: The data below is for TruColor™ RGBTW (S5W7) bare LED Strips. Consistent color temperatures throughout a single strip and among multiple strips is possible through a 3 phase binning process in which each order is inspected with a color meter to ensure uniformity.

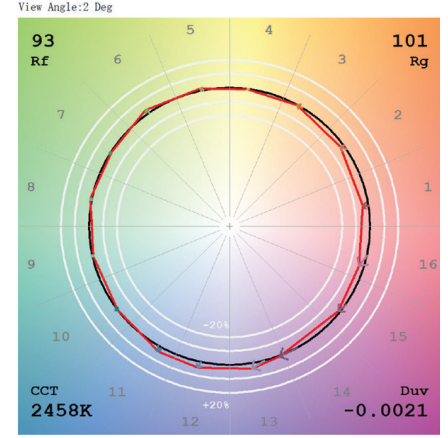
2000K (TruColor™ RGBTW)



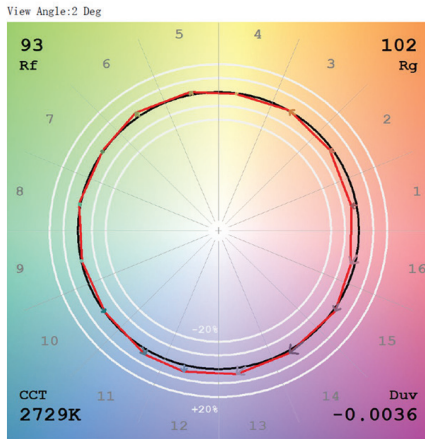
2200K (TruColor™ RGBTW)



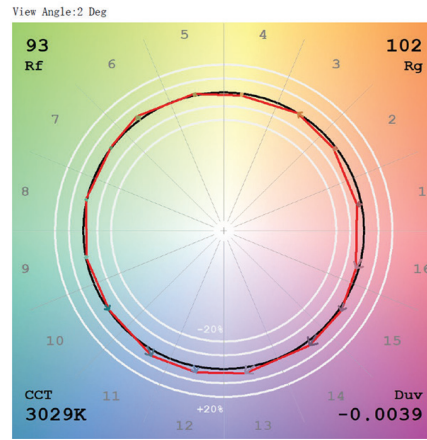
2400K (TruColor™ RGBTW)



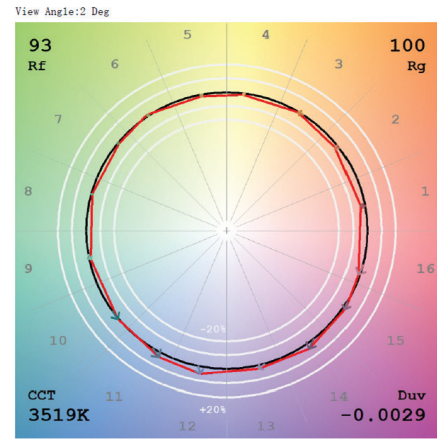
2700K (TruColor™ RGBTW)



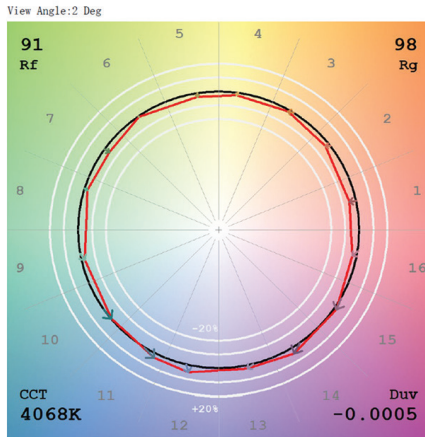
3000K (TruColor™ RGBTW)



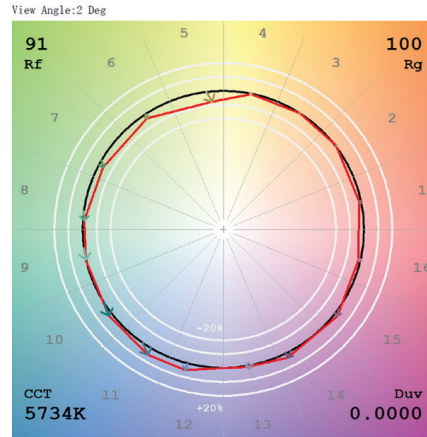
3500K (TruColor™ RGBTW)



4000K (TruColor™ RGBTW)



5700K (TruColor™ RGBTW)



6500K (TruColor™ RGBTW)

