



1718 W. Fullerton Chicago, IL 60614  
 Ph: 773.770.1195 • Fax: 773.935.5613  
 www.PureEdgeLighting.com • info@PureEdgeLighting.com  
 © 2016 PureEdge Lighting. All Rights Reserved.

## Installation Instructions for TruTrack 1-Circuit Track

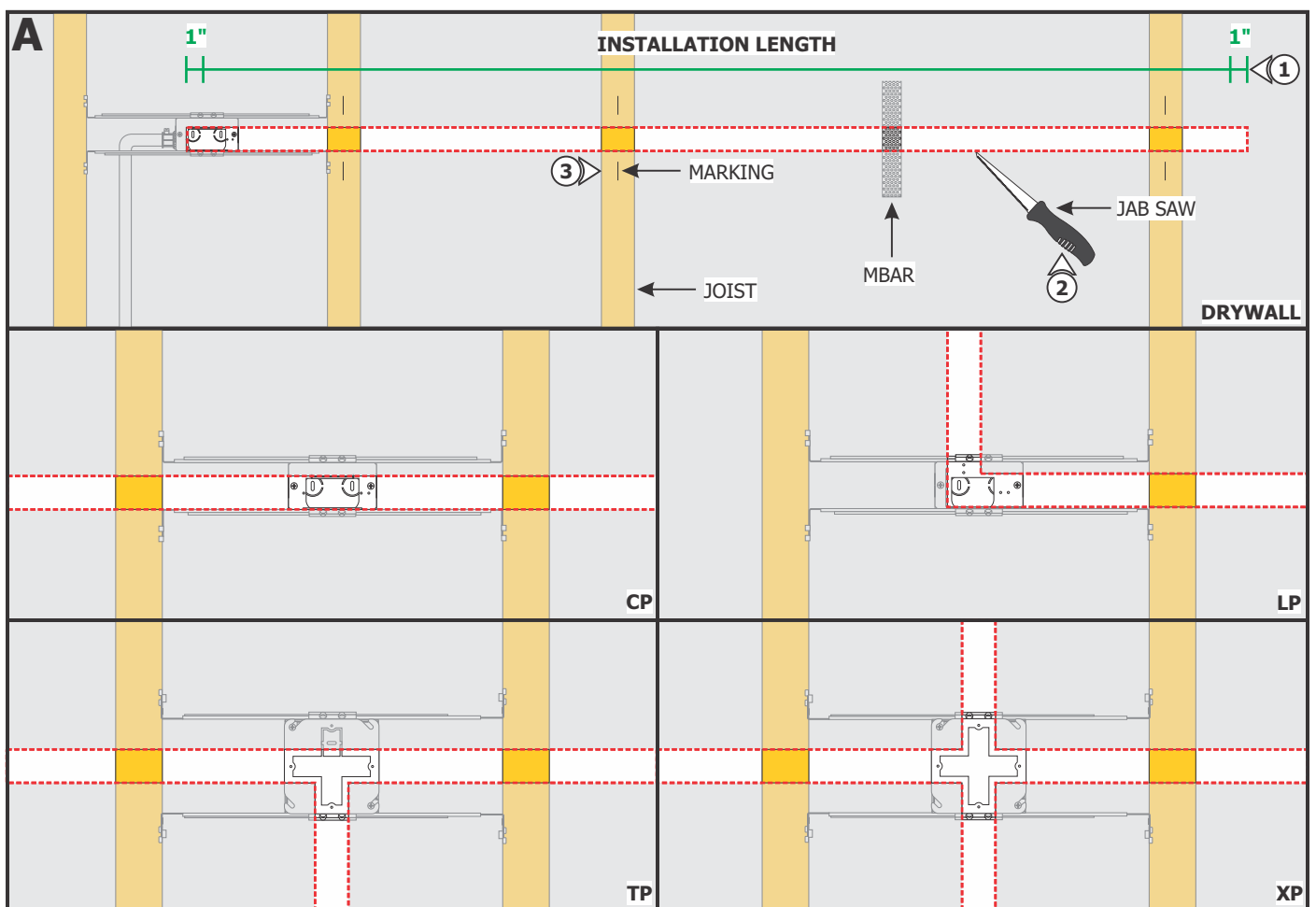
TR24-1C-\_-WH

### IMPORTANT INFORMATION

- This product is for indoor locations only.
- This instructions shows a typical installation.
- Before beginning any electrical work, ensure that the power to the electrical box is off.

**SAVE THESE INSTRUCTIONS!**

### Section One: Mark the Installation

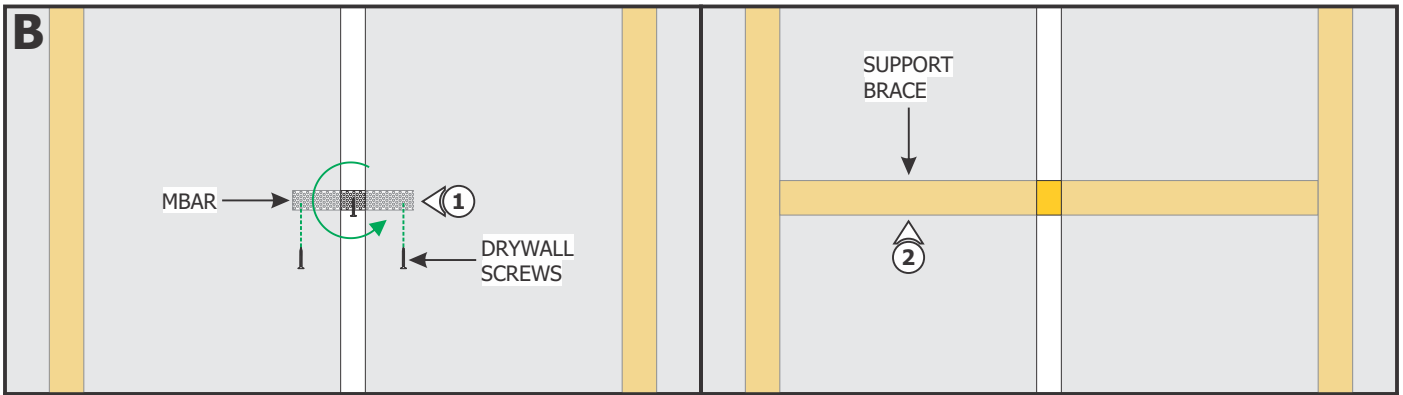


**NOTE:** Refer to the instructions provided with the any of the TruTrack Power Channel Connectors to install the junction box.

**NOTE:** EP is shown for demonstration purposes.

- 1:** Mark the area where the TruTrack will be located on the ceiling using the junction box opening as a guide (MIN. 1-1/4"). Allow 1" at the beginning and end of the installation for the End Caps.
- 2:** Cut out the marked area on the drywall using a jab saw or other appropriate tool.
- 3:** Mark the location of the joists to the drywall for future reference.

## Section Two: Additional Mounting Support



**NOTE:** To install the track in a wall without standard-spaced studs/joists, install perforated mounting straps (MBAR) every 32" behind drywall.

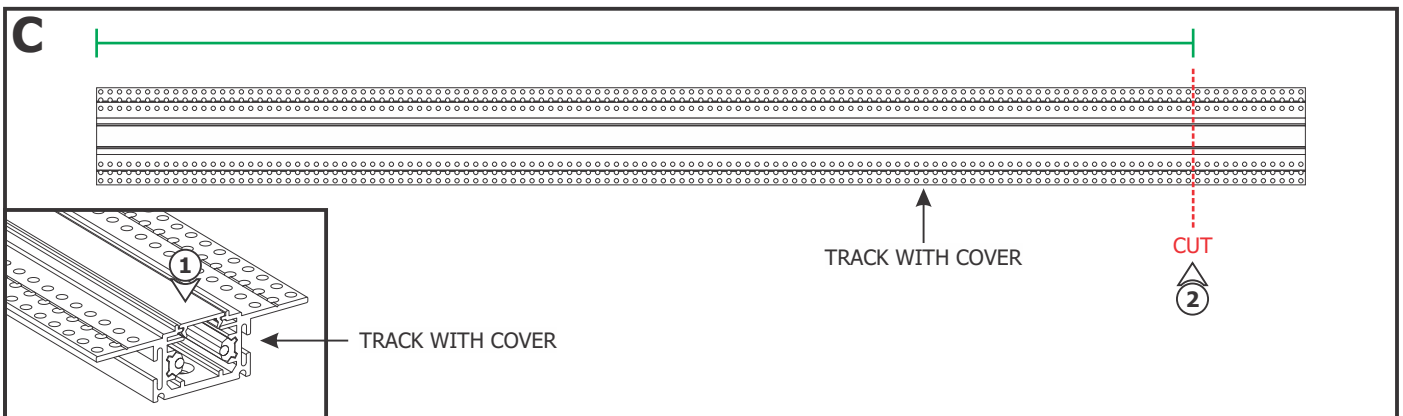
**NOTE:** For areas with lots of vibrations, it is suggested to install 2X4 support braces (suggested spacing is every 32") before installing and finishing drywall to avoid cracking of plaster. Refer to the step 2, Alternate Installation Option.

**1:** Thread a drywall screw into the perforated material. Use the screw to hold and place the mounting strap (MBAR) behind the drywall, and then rotate it in place. Secure the mounting strap to the drywall using two drywall screws. Mark the location of the mounting strap on the drywall.

**ALTERNATE INSTALLATION OPTION:**

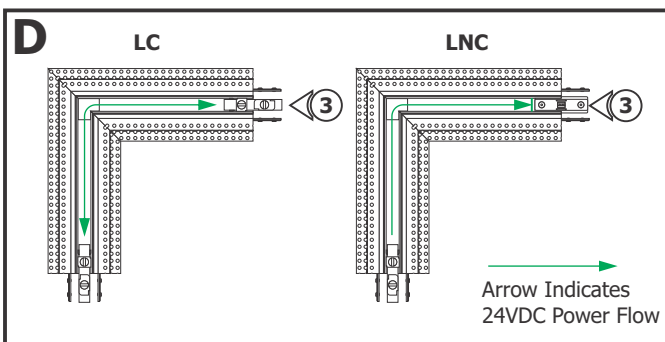
**2:** Install 2X4 support braces (suggested spacing is every 32") before installing and finishing drywall.

## Section Three: Install Track and Connectors

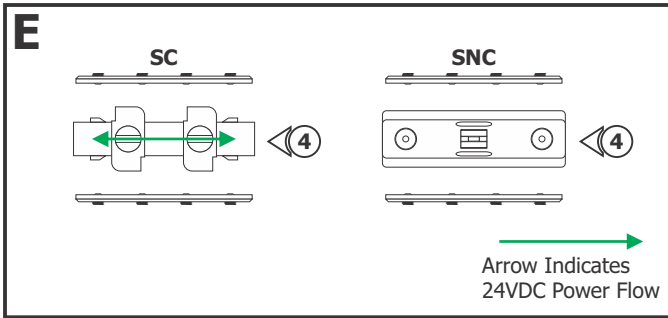


**1:** Remove the spare cover inside the track. One cover is used for plastering and is disposed after painting. The second cover is for the final clean installation. Snap one of the covers onto the track BEFORE cutting to length. This ensures a proper fit after installation.

**2:** Cut the track and cover to match the installation length. Remove the cover.

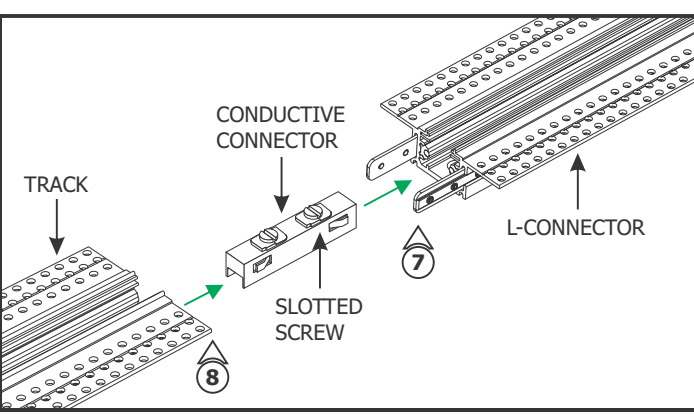
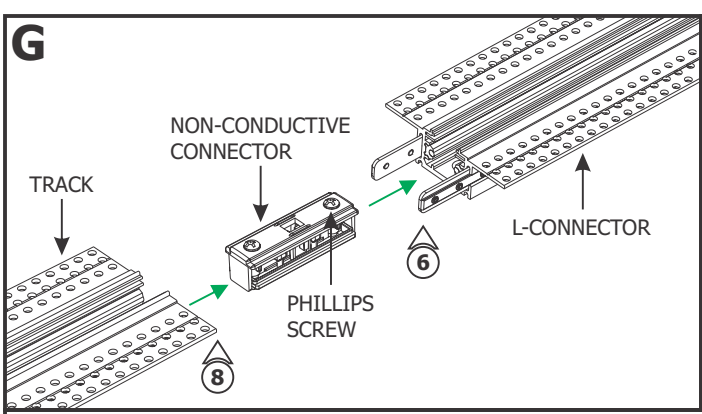
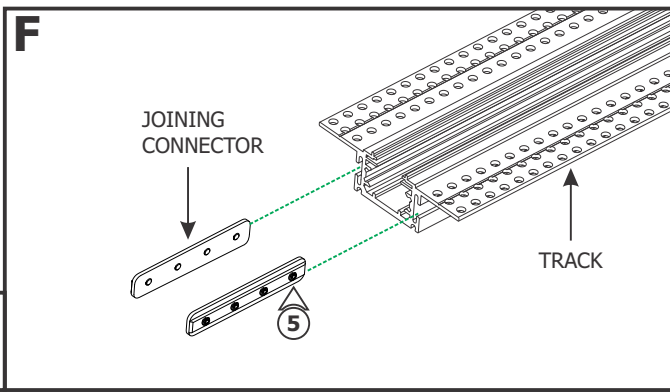


**3:** L-Connectors join two track sections together in a 90 degree angle and either conduct the power from one track to the other (LC) or isolate the power from one track to the other respectively (LNC).



**4:** Straight connectors joins two track sections end to end and either conduct the power from one track to the other (SC) or isolate the power from one track to the other respectively (SNC).

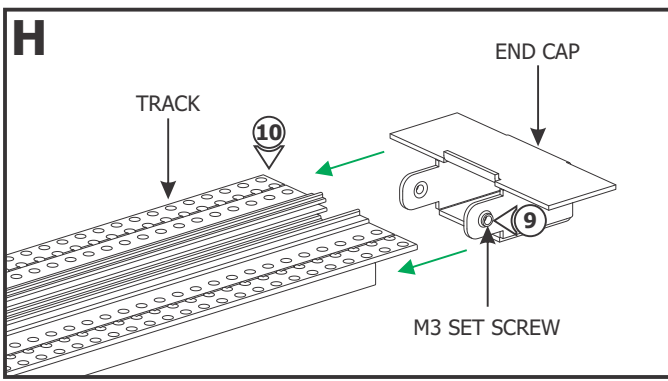
**5:** Insert the joining connectors of the straight connectors or L-Connectors half way into the track or L-Connector and tighten the M3 set screws using a 1.5mm Allen wrench.



**6:** For the Non-Conductive connectors, insert the non-conductive connectors half way into one end of the Track. Tighten the screw snugly with a Phillips screw driver (do not over tighten).

**7:** For the Conductive connectors, insert the conductive half way into the end of the track. Tighten the slotted screw with a flat-head screw driver.

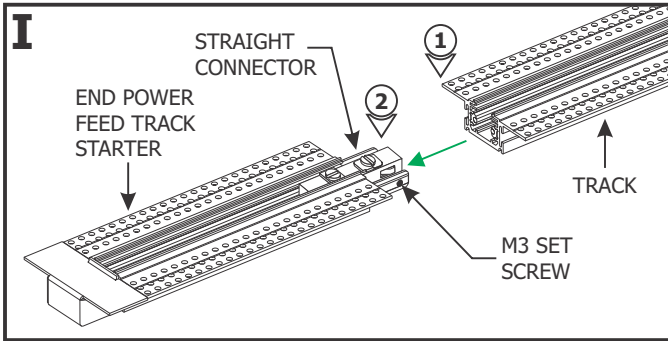
**8:** Slide another track over the joining connectors and the non-conductive or conductive connectors. Tighten the remaining set screws, Phillips screw or slotted screw.



**9:** Loosen (**Do Not Remove**) the two M3 set screws on the End Cap using a 1.5mm Allen wrench.

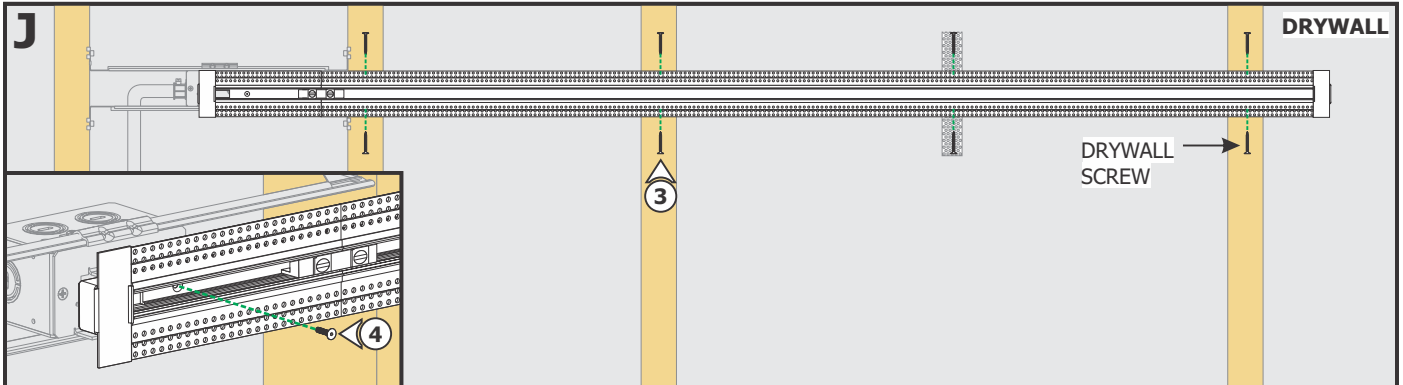
**10:** Slide the End Cap into the non-power end of the track and tighten the two M3 set screws using a 1.5mm Allen wrench to secure in place.

## Section Four: Install Power Feeds to Ceiling

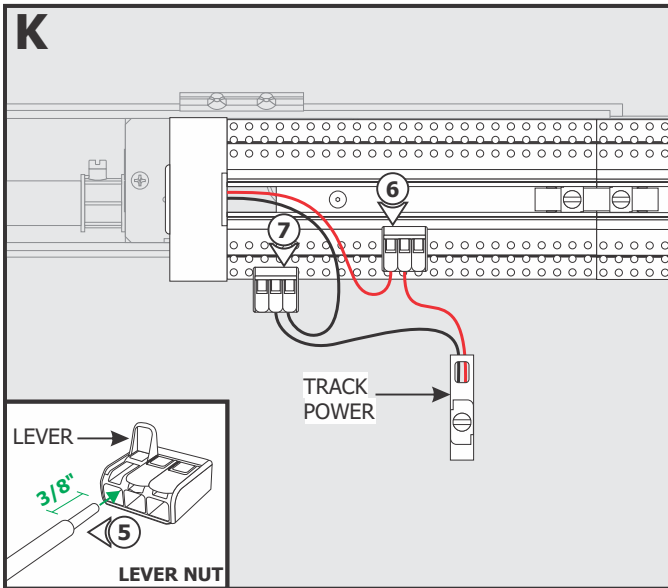


**NOTE:** EP is shown for demonstration purposes.

- 1: Slide a track over the straight connector on the End Power Feed Track Starter.
- 2: Tighten the set screws using an Allen wrench and the slotted screw on the straight connector using a flat-head screw driver.



- 3: Secure the track to the junction box with the Phillips screw.
- 4: Secure the track to the ceiling using drywall screws.



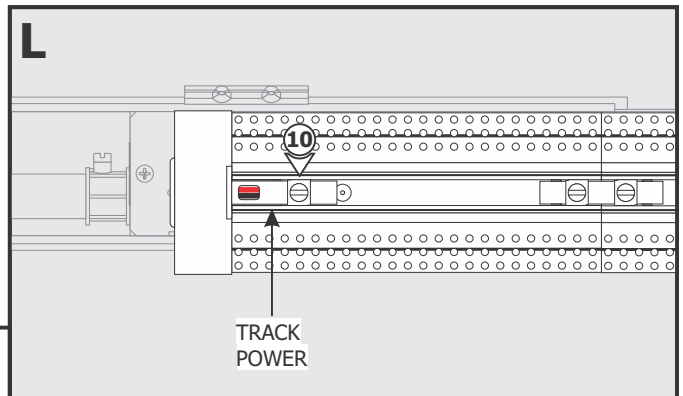
5: Strip 3/8" off of the Track Power Connector wires and the low voltage power supply wires.

6: Pull up the levers of one lever nut, and insert the red +24VDC power supply wire and the red wire of the Track Power connector into the lever nut. Push the lever down to connect and lock into place.

7: Pull up the levers of the other lever nut and insert the black -24VDC wire from the same power supply and the black wire of the Track Power Connector. Push the lever down to connect and lock into place.

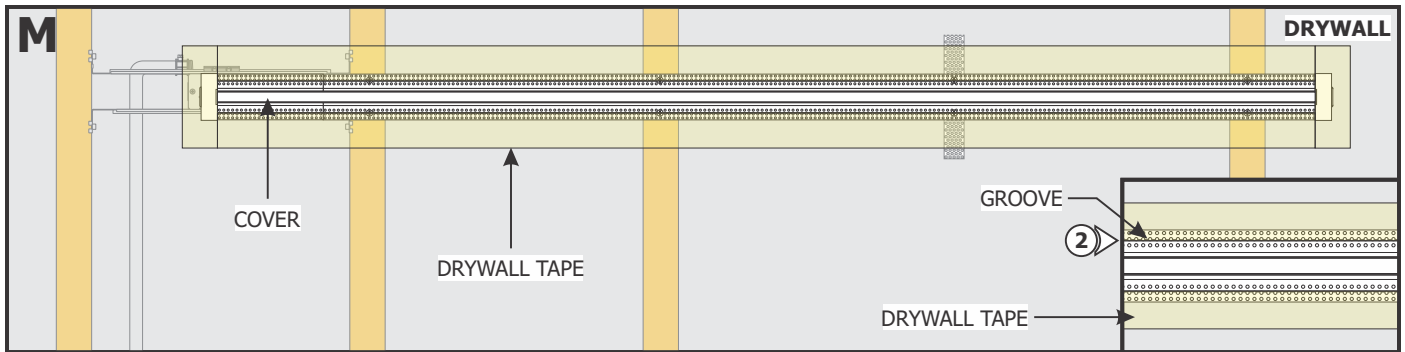
8: Lightly tug on the wires to ensure they are secured in place.

9: Place the lever nuts inside the junction box.



- 10: Place the Track Power Connector inside the End Power Feed and tighten the slotted screw with to secure in place.

## Section Five: Plaster, Sand and Paint



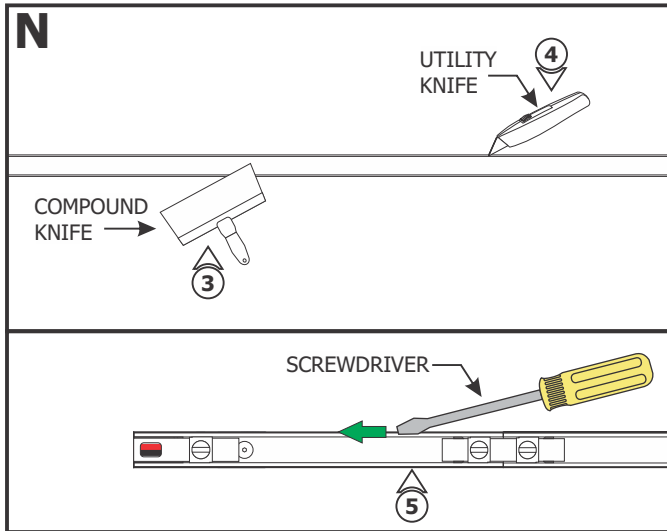
**NOTE:** For areas with lots of vibrations, it is suggested to use Durabond to avoid cracking of plaster.

**NOTE: Do Not** use premixed joint compound "Soft Mud." No use compuesto para juntas premezclado "Soft Mud."

**NOTE:** Recommended plaster method: 1st Coat - Durabond 45 with 8" Blade, 2nd Coat - Easy Sand 45 with 10" Blade, 3rd Coat - with 12" Blade

**1:** Snap the cover for plastering and painting onto the track.

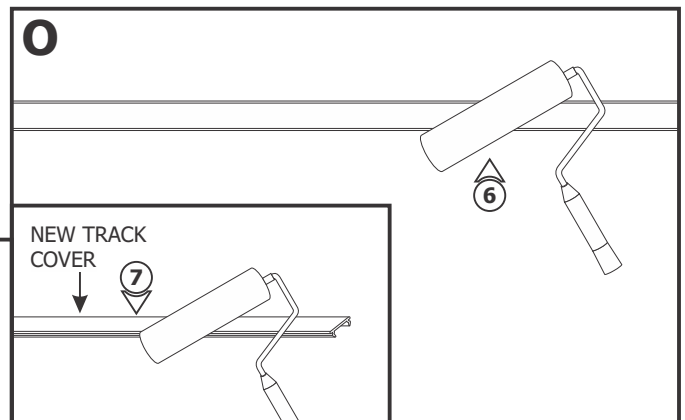
**2:** Must apply drywall tape (Ultra-Thin drywall tape suggested) along edges of the track up to the groove to prevent cracking of plaster after installation. **DO NOT** overlap strips of drywall tape.



**3:** Use a compound knife for a smooth compound spread. Plaster and sand the drywall.

**4:** Use a utility knife to cut along the track gutter. This will avoid plaster damage during cover removal.

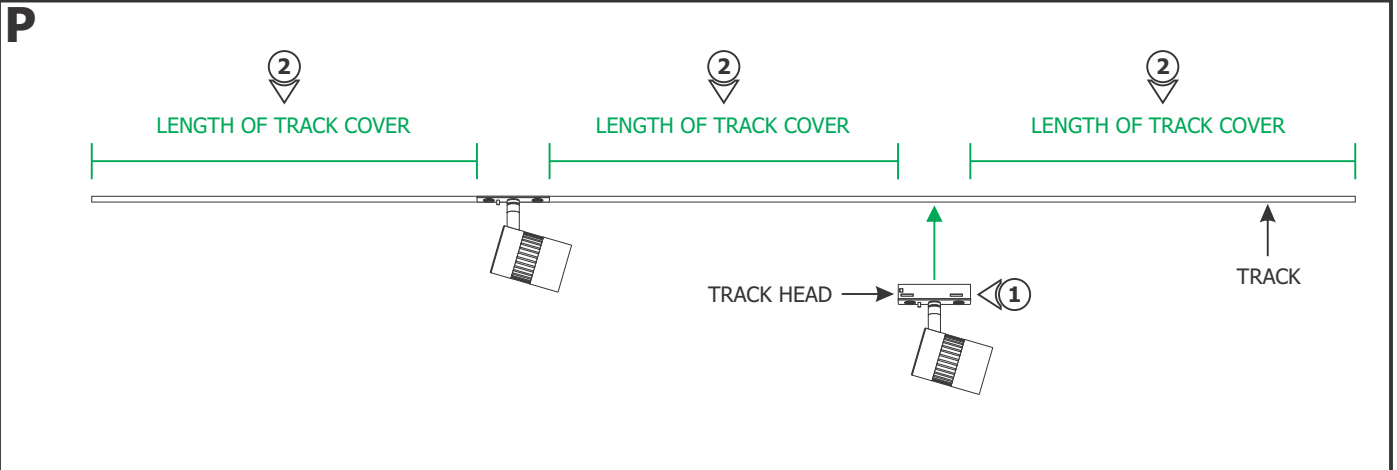
**5:** Remove the track cover. Carefully use a small flathead screwdriver to clean and remove excess drywall from the internal bevel/edge along the track.



**6:** Replace the removed track cover back (using it as masking tape) and finish painting the drywall. Remove the track cover before the paint dries and discard it.

**7:** If necessary, cut and paint the new track cover to match the drywall paint.

## Section Six: Install Track Heads



**1:** Place the track head fixtures to the desired location (refer to the instructions provided with the track head fixture).

**2:** Measure the distance between each track head fixture and cut the track cover (optional) to desired length. Snap the covers onto the track.

**NOTE:** Refer to the instructions provided with the track head fixture to complete installations.