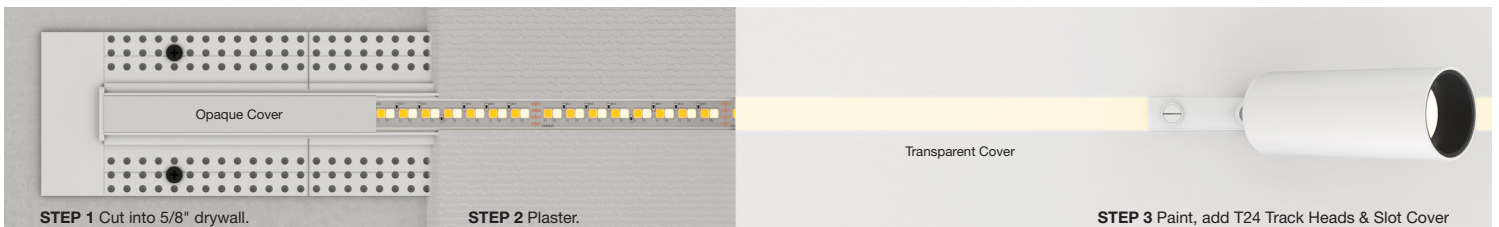


TruTrack® DUAL SOURCE WITH INTEGRAL LED STRIP

DESIGNED BY GREGORY KAY | MANUFACTURED IN AMERICA | US PATENT ISSUED

REV 07.20.23



DESCRIPTION

TruTrack® is a patented, recessed 24VDC two circuit track (one circuit - track, second circuit - LED strip) with a linear plaster-in LED system that is only as thick as the 5/8" drywall, eliminating the concern of running into studs or joists, and allowing complete flexibility to make turns along ceilings and walls.

FEATURES

- Designed for combining recessed Track Spots and LED Strip for a clean modern look. System may be switched and dimmed as a Single Circuit or separately as a 2-Circuit System. Remote power supply can be located up to 40ft away from the power feed.
- Linear Plaster-in LED and Track System can be installed on a single surface (Wall or Ceiling), or on multiple surfaces going from the Wall to the Ceiling.
- Pre-Formed components will help you to create desired configurations including Picture Frame and Room Wrapping Installations
- LED Soft Strip is sold in 1' increments 40' maximum length, up to 96 watts supply before re-feeding.
- Track Head Lumen Output up to 1256 Lumens with multiple fixed and adjustable beam spread options.
- Track Power Feeds may be ordered in End, Center, L, T and X configurations running up to 96 watts before re-feeding.
- Recessed TruTrack® Channel is available in 2', 4', 6' and 8' field-cuttable lengths.
- Two White Plastic Opaque Slot Covers are included to protect and seal the inside of the track from dust and paint during the installation process. One Transparent Lens Slot cover is used to diffuse the output of the integrated LED strip and eliminate pixelation.
- #10 Gauge Busbar to help eliminate voltage drop.

FINISH & MATERIAL

- White Powder Coat Paint
- Extruded Aluminum Channel, conductors are a pair of #10 AWG Copper Busbar

TRACK FIXTURES AND INTEGRAL LED STRIP

- **Track Heads:** Static White - 24K, 27K, 30K, & 35K
Warm Dim - 30D (3000K-1800K)
- **Integral LED Strip:** Static White 24K - 40K
Warm Dim - 27D (2700K-1800K) & 30D (3000K-1800K)

REMOTE POWER SUPPLIES (SOLD SEPARATELY)*

24VDC, Class 2 wiring

- [Pure Smart™ WIZ Pro Power Supplies & Controls](#)
- [UNI Driver: Universal Dimming \(TRIAC, ELV, 0-10V\)](#)

*In-Wall Mounting Kits available for select power supplies

APPLICATIONS

Indoor use only. Ideal applications in residential, commercial, retail and hospitality environments.

WARRANTY / LABELS

5 year pro-rated warranty. Assembled in America

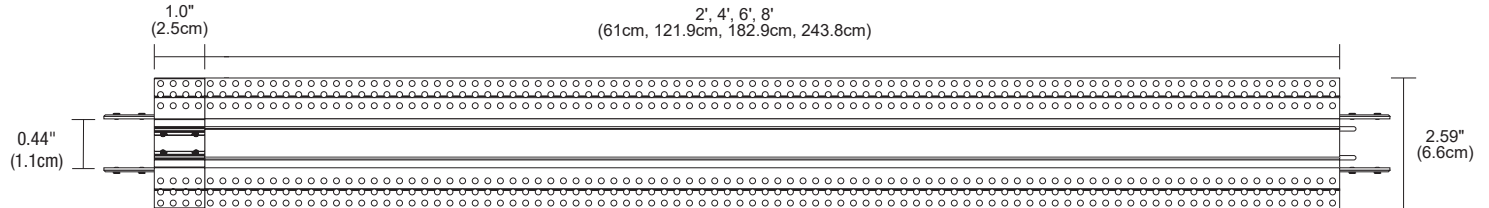
ETL (Conforms to UL 1598 and 2108 and CSA 22.2 #250.0), Class 2

PureEdge is the Original Designer of 5/8" Drywall Products, Backed by Over 30 Years of Precision Manufacturing and Design.

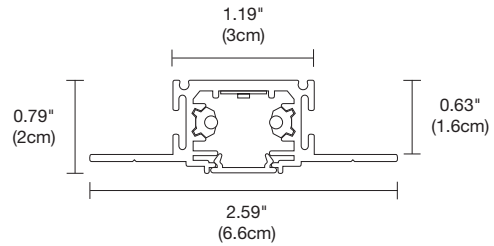
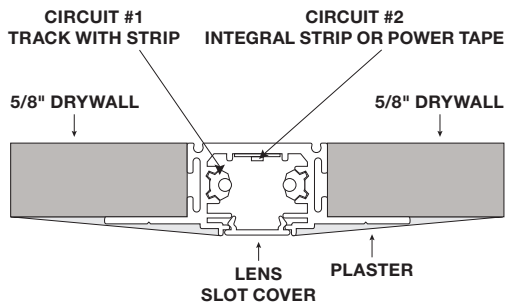
PROJECT	FIXTURE TYPE	DATE
---------	--------------	------



DUAL SOURCE RECESSED 24VDC TRACK



DUAL SOURCE



DUAL SOURCE TRACK

Made of extruded Aluminum Channel with #10 AWG Bus Bar for Track circuit #1 and with 4oz Copper Power tape to connect Soft Strip Circuit #2. Includes TR24-SC2 connector. LED Soft Strip must be ordered separately. Designed for use with two separate 24VDC Remote Power Supplies (Sold Separately). Includes one Mudding Cover and one Paintable Cover, one Opaque Slot Cover for Track Slot and one Diffused Slot for LED Soft Strip and track joiner.

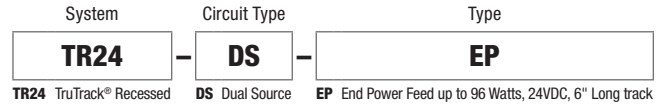
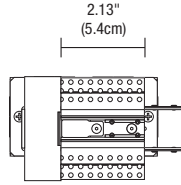
System	Circuit	Length in Feet	Color
TR24	DS	8FT	WH
TR24 TruTrack® Recessed	DS Dual Source for Track with LED strip	2FT 4FT 6FT 8FT	WH White Powder Paint

PROJECT	FIXTURE TYPE	DATE
---------	--------------	------

COMPONENTS

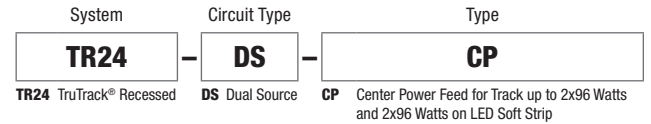
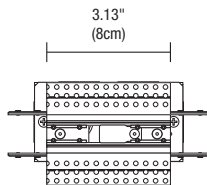
END POWER FEED WITH JUNCTION BOX FOR 5/8" DRYWALL

2" starter section included. Feed 24VDC Track up to 96 watts and 96 watts for LED Soft Strip. May be used on cement ceiling with only 5/8" dry wall. (J-Box not used).



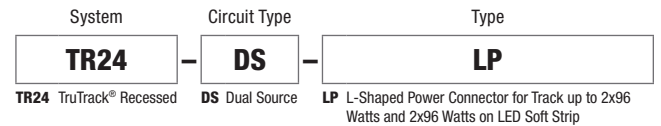
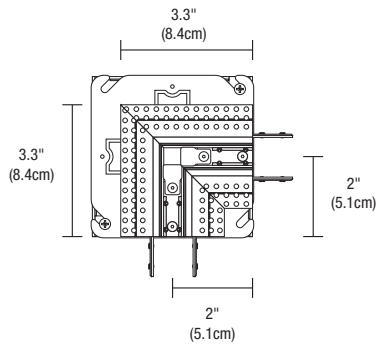
CENTER POWER FEED WITH JUNCTION BOX FOR 5/8" DRYWALL

3" starter section included, feed 5 track up to 2x 96 watts 24VDC and LED soft strip 2x96 watts.



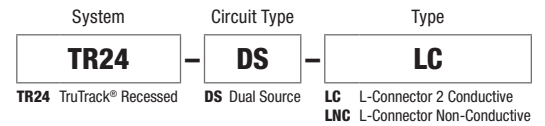
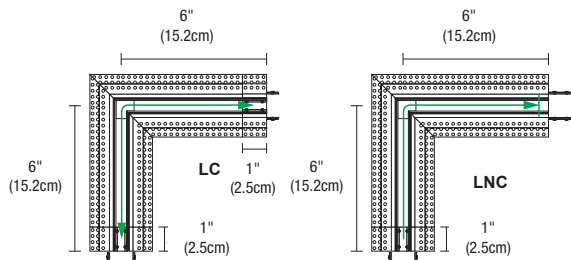
L-SHAPED POWER CONNECTOR FOR 5/8" DRYWALL WITH JUNCTION BOX

Feeds track up to 2x96 watts 24VDC and LED soft strip up to 2x96 watts.



L-CONNECTOR

Conductive or Non-Conductive L-Connector joins two straight TruTrack® Channels together to make a 90° angle. Order Non-Conductive when adding two Power Supplies in a square configuration. Track head can be placed on this portion of track.

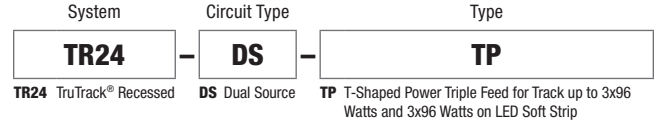
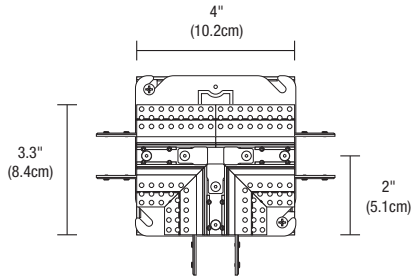


PROJECT	FIXTURE TYPE	DATE
---------	--------------	------

COMPONENTS (Cont'd)

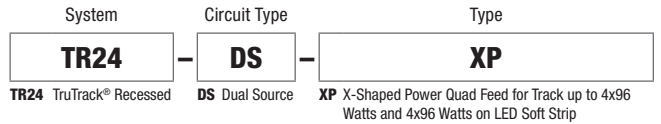
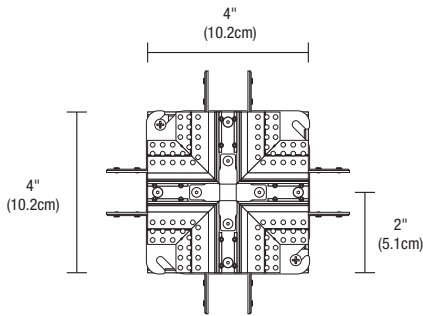
T-SHAPE POWER FEED WITH JUNCTION BOX FOR 5/8" DRYWALL

Feeds track up to 3x96 watts 24VDC and LED soft strip up to 3x96 watts.



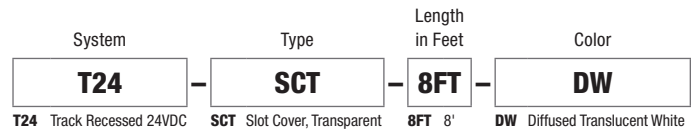
X-SHAPE POWER FEED WITH JUNCTION BOX FOR 5/8" DRYWALL

Feeds track up to 4x96 watts 24VDC and LED soft strip up to 4x96 watts.



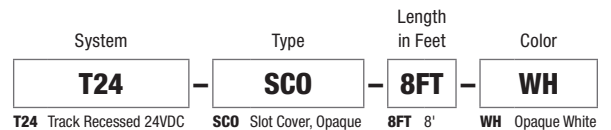
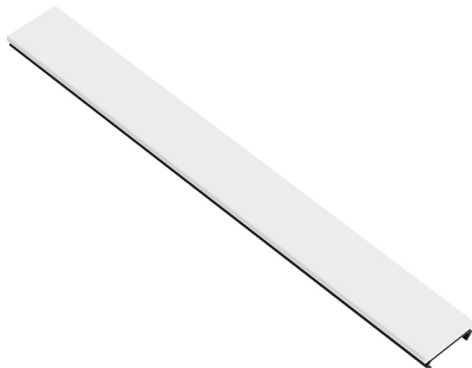
TRANSPARENT LENS SLOT COVER FOR LED SOFT STRIP (INCLUDED)

One included with each TruTrack® Recessed track order. Use Slot Cover for LED Soft Strip to give you a clean Line of Light any where along the Track. No LED dots. Field Cuttable.



OPAQUE SLOT COVER, PAINTABLE (INCLUDED)

One paintable Plastic Slot Cover Included with each TruTrack® Recessed Track. Field Cuttable.



PROJECT	FIXTURE TYPE	DATE
---------	--------------	------

COMPONENTS (Cont'd)



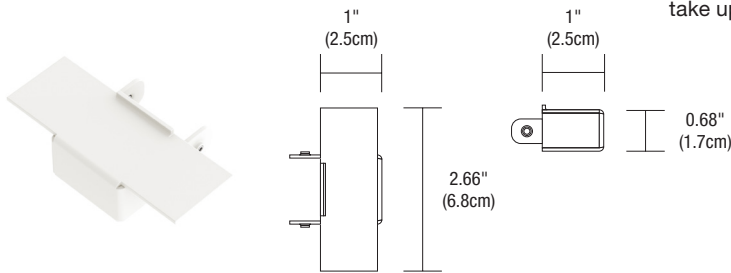
MUDDING COVER, OPAQUE SLOT COVER (INCLUDED)

Mud cover used in installation to keep plaster out of track. Included with track.

System	Type	Length in Feet	Color
T24	COV	8FT	WH
T24 Track Recessed 24VDC	COV Mudding Slot Cover	8FT 8'	WH Opaque White

END CAP

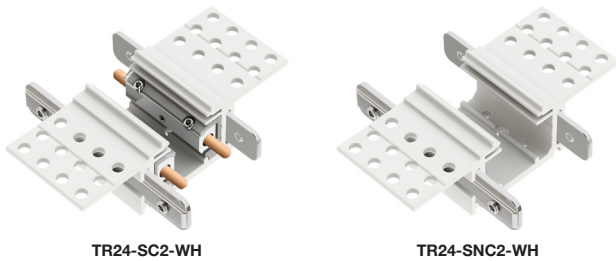
To be ordered with each dead end of TR24 Track System, can be used as a take up receptacle for extra soft strip.



System	Type	Color
TR24	CA	WH
TR24 TruTrack® Recessed	CA End Cap	WH White Cover

24V TRACK INLINE STRAIGHT SEAMLESS CONNECTOR, CONDUCTIVE

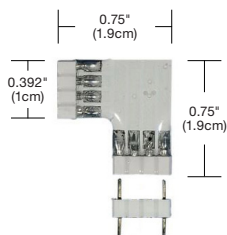
Order when cutting and joining a Track. Includes 2" Opaque and Transparent Slot Cover.



System	Circuit Type	Connector Type	Color
TR24	DS	SC2	WH
TR24 Track Recessed 24VDC	DS Dual Source	SC2 Seamless Connector, Conductive SNC2 Straight Connector, Non-Conductive	WH White

L-CONNECTOR (ORDER SEPARATELY)

The Soft Strip L-Connector physically and electrically join two Soft Strip sections and 90° on a horizontal plane (includes one male joiner). Order Separately.



Product	Type
SS	CL10M
SS Soft Strip	CL10M L-Connector 10MM Soft Strip

PROJECT	FIXTURE TYPE	DATE
---------	--------------	------

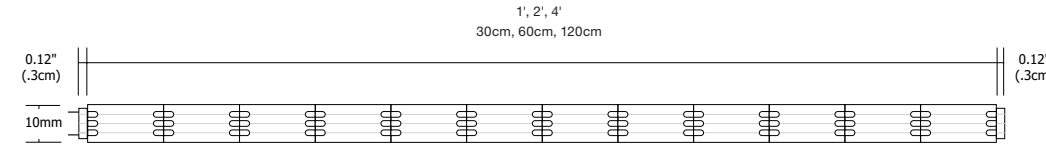
COMPONENTS (Cont'd)



1FT, 2FT, 4FT

POWER TAPE CONNECTOR (ORDER SEPARATELY)

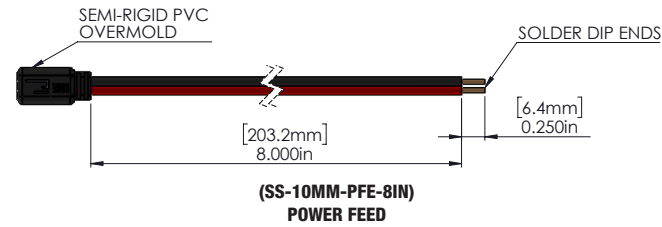
The Power Tape Connector has no LEDs and will Link two sections of soft strip together. Use OPAQUE Paintable SLOT COVER, (INCLUDED) to hide tape. Features a 3M adhesive back and links two sections of Soft Strip. No LEDs on this strip. Fold strip for exact length.



Product	Type	Size
SS	CPT10MM	1FT
SS Soft Strip	CPT101MM Power Tape Connector 10MM Wide	1FT 1 Foot 2FT 2 Foot 3FT 3 Foot

3 POSITION POWER FEED CONNECTOR (INCLUDED WITH POWER FEED CONNECTORS)

SS-10MM-PFE-8IN



System	Type	Connector	Length
SS	10MM	PFE	8IN
SS Soft Strip	10MM 10 mm	PFE Power Feed	8IN 8"

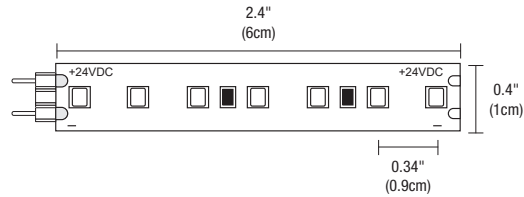
PROJECT	FIXTURE TYPE	DATE
---------	--------------	------

STOMP STRIP FOR TRUTRACK®

24VDC, STATIC WHITE AND WARM DIM

ASSEMBLED IN AMERICA

REV 07.20.23



CAN'T STOMP ME OUT

Our Low Voltage Stomp Strip is highly durable, designed to withstand the harsh elements of a job site, and precision engineered to provide superior color rendering up to 94+ CRI. Warm Dim technology (**27D** & **30D**) mimics an incandescent atmosphere by decreasing the color temperature as you dim. Our Warm Dim strips can be dimmed all the way down to a soothing amber hue at 1800K, reminiscent of candlelight along the halogen curve. Stomp Strip STR_A-PIN-6A is used for TruTrack® Systems.

FEATURES & BENEFITS

- Developed to meet popular demand for resilient performance without sacrificing output, color rendering and efficacy
- Tolerance: Created to resist damage in rigorous environments such as busy commercial jobsites
- Compact LED spacing: Produces uniform light distribution without visible diodes or hot spots when used within a diffused lens
- 4oz Layer of Copper Busbar: Provides superior heat dissipation and less voltage drop equivalent to 14AWG wire
- Premium Coating: Optically Clear Silicone prevents fading over time
- Mounting: Industrial 3M tape lined strip for strong, self-adhesion to most smooth, finished surfaces
- Suitable for indoor damp locations
- Warranty: Includes a 5-year pro-rated warranty

SPECIFICATIONS

- 24VDC
- 2.5, 4.4 (Warm Dim 4.8) or 7.3 watts per foot
- Sold in 1' increments
- Field-cutttable in 2.4" increments for Static White, 3" for Warm Dim
- Operating temperature: -22°F to 140°F (-30°C to 60°C)

LAMP

- Static White Color Temperatures: 2400K, 2700K, 3000K, 3500K & 4000K
- Warm Dim: 2700K (**27D**) dims from 2700K down to 1800K, and 3000K (**30D**) dims from 3000K down to 2000K, resembling halogen light sources.
- Average life: 50,000 hours

REMOTE POWER SUPPLIES*, DIMMING & CONTROLS (SOLD SEPARATELY)

24VDC, Class 2 wiring

- [Pure Smart™ WiZ Pro Power Supplies & Controls](#)
- [UNI Driver: Universal Dimming \(TRIAC, ELV, 0-10V\)](#)

*In-wall mounting and drop ceiling kits available for select power supplies

MAXIMUM LENGTHS BEFORE RE-FEEDING

- 2WDC, 2.5 watts per foot - 40' (Excludes Warm Dim)
- 5WDC, 4.4 watts per foot - 20'
- 7WDC, 7.3 watts per foot - 12' (Excludes Warm Dim)

COMPATIBLE FIXTURES & SYSTEMS

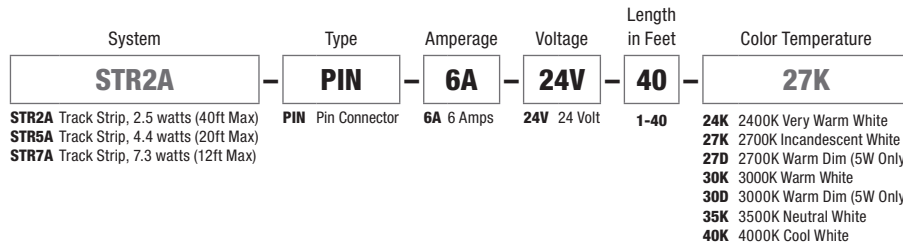
- Pipeline® Track with up light TruTrack®
- 5/8" Drywall Systems: Truline, TruQuad, Reveal and Verge

APPROVALS

Class 2 Wiring up to 100 watts, Damp Location Suitable, ETL listed

WATTS PER FOOT	STR2A					STR5A						STR7A					
	2.5W					4.4W						7.3W					
COLOR TEMPERATURE	24K	27K	30K	35K	40K	24K	27K	27D*	30K	30D*	35K	40K	24K	27K	30K	35K	40K
LUMENS PER FOOT (lm/ft)	284	287	299	343	362	525	531	606	553	631	634	669	811	820	854	980	1033
LUMENS PER WATT (lm/w)	114	115	120	137	145	119	121	126	126	131	144	152	111	112	117	134	142
CRI	92+	92+	92+	92+	92+	92+	92+	94+	92+	94+	92+	92+	92+	92+	92+	92+	92+

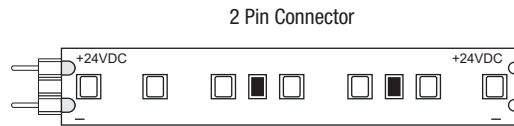
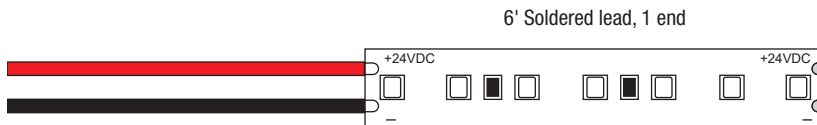
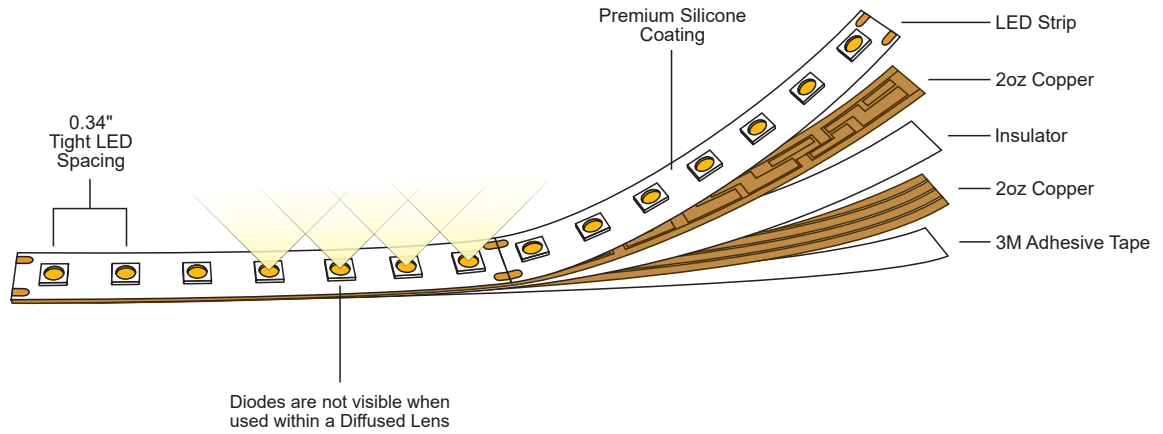
*27D, 30D - Warm Dim (4.8 Watts)



PROJECT	FIXTURE TYPE	DATE
---------	--------------	------

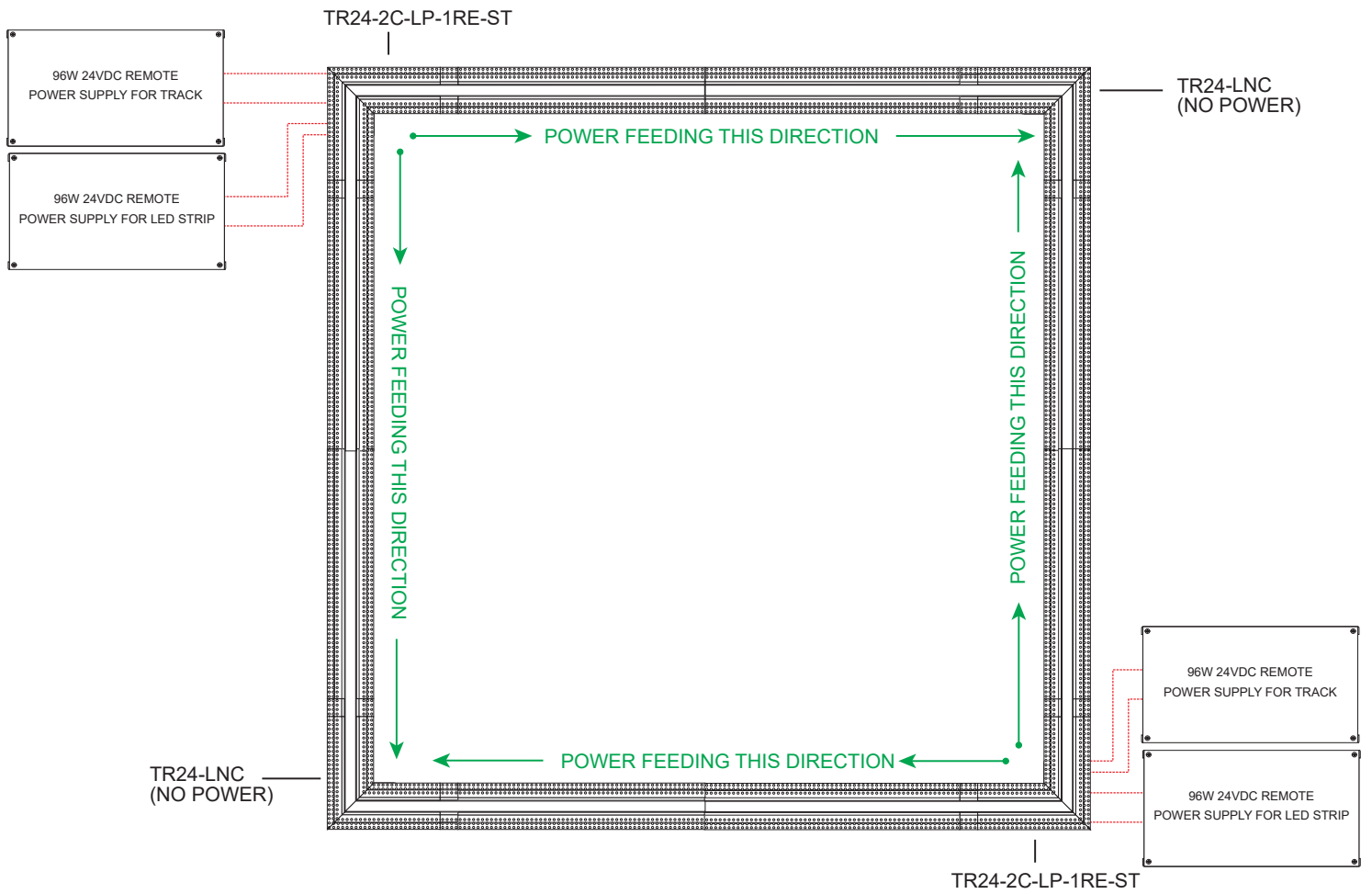
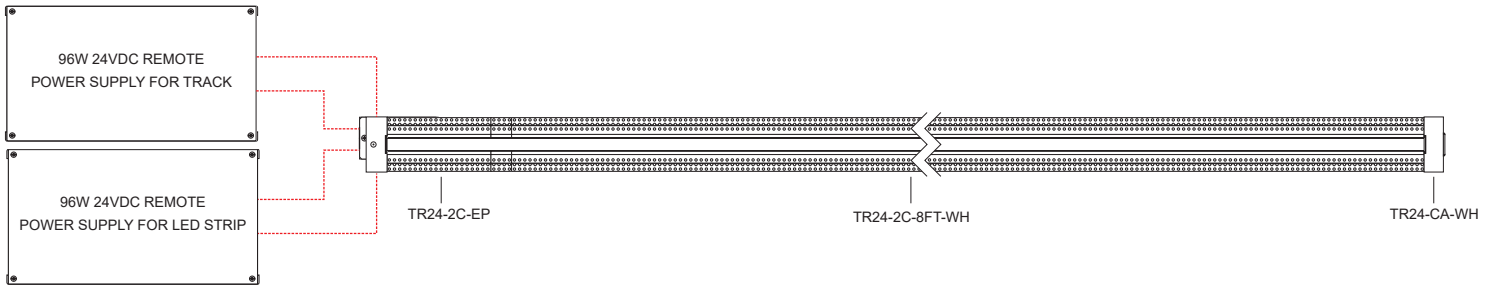
STOMP STRIP FOR TRUTRACK® & PIPELINE® TRACK

24VDC, STATIC WHITE AND WARM DIM



PROJECT		FIXTURE TYPE		DATE	
---------	--	--------------	--	------	--

TRUTRACK® DUAL SOURCE WITH INTEGRAL LED STRIP



PROJECT		FIXTURE TYPE		DATE	
---------	--	--------------	--	------	--

T24 TRACK HEADS

24VDC WITH INTEGRATED LED, STATIC WHITE & WARM DIM TECHNOLOGY

REV 07.20.23

PureEdge T24 Track Heads are Compatible with TruTrack® (TR24) Pipeline Systems including Modular Suspension, Pipeline Track Suspensions and Pipeline Stem Mount Wall/Display (P1SDM, PT, PSTU2CR, PSTU2CR) and Surface Mount track (TS24).

All uniform beam spread options are field changeable. See accessories page for more information.

TUBO LARGE	TUBO LARGE DOWNLIGHT
14 WATTS	

System	Fixture	Beam Spread	Color Temperature	Finish
T24	TUBL	FL	30K	WH
T24 24V Track System	TUBL Tubo Large TUBLD Tubo Large Downlight	NS Narrow Spot 10° SP Spot 20° NF Narrow Flood 35° FL Flood 45° VW Very Wide Flood 75°	24K 2400K Very Warm White 27K 2700K Incandescent White 30D 3000D Warm Dim* 30K 3000K Warm White 35K 3500K Neutral White	BK Black Powder Coat WH White Powder Coat
		For 7° use STB16-BK snoot with NS	*Not available in VW 30D NS: 7.5W, 400 lumens	

BEAM ANGLE REFERENCE 45°					
COLOR TEMPERATURE	24K	27K	30K	30D	35K
TOTAL LUMENS	1238	1035	1069	683	1268
WATTS	14	14	14	14	14
LUMENS PER WATT (lm/w)	88	74	76	49	91
CRI	97	92	91	97	98
TM-30 DATA	R9: 60 Rf: 93 Rg: 98	R9: 97 Rf: 92 Rg: 100	R9: 64 Rf: 91 Rg: 98	R9: 90 Rf: 95 Rg: 102	R9: 92 Rf: 94 Rg: 101

TUBO SMALL	TUBO SMALL DOWNLIGHT
9 WATTS (WARM DIM: 8 WATTS)	

System	Fixture	Beam Spread	Color Temperature	Finish
T24	TUBS	FL	30K	WH
T24 24V Track System	TUBS Tubo Small TUBSD Tubo Small Downlight	NS Narrow Spot 15° SP Spot 25° NF Narrow Flood 35° FL Flood 45° VW Very Wide Flood 75°	24K 2400K Very Warm White 27K 2700K Incandescent White 30D 3000D Warm Dim 30K 3000K Warm White 35K 3500K Neutral White	BK Black Powder Coat WH White Powder Coat
		For 7° use STB16-BK snoot with NS		

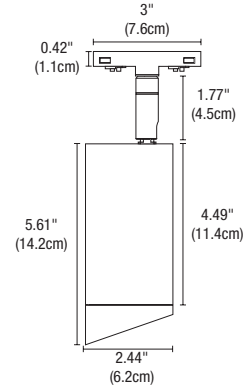
BEAM ANGLE REFERENCE 45°					
COLOR TEMPERATURE	24K	27K	30K	30D	35K
TOTAL LUMENS	503	420	434	287	515
WATTS	9	9	9	8	9
LUMENS PER WATT (lm/w)	59	49	51	39	61
CRI	97	92	93	94	98
TM-30 DATA	R9: 60 Rf: 93 Rg: 98	R9: 97 Rf: 92 Rg: 100	R9: 64 Rf: 91 Rg: 98	R9: 90 Rf: 95 Rg: 102	R9: 92 Rf: 94 Rg: 101

All track heads with the exception of Tubo Wall Wash and Zoom are JAB listed with universal power supplies in 27K> CCT. Click the link to access our full Title 24 compliance listings: pureedgelighting.com/resources

PROJECT	FIXTURE TYPE	DATE
---------	--------------	------

TUBO LARGE WALL WASH

15 WATTS



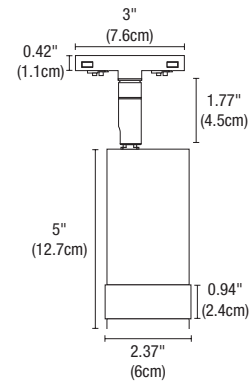
System: **T24** — Fixture: **TUBL** — Beam Spread: **WW** — Color Temperature: **30K** — Finish: **BK**

- T24** Track Head 24V
- TUBL** Tubo Large
- WW** Wall Wash
- 24K** 2400K Very Warm White
- 27K** 2700K Incandescent White
- 30K** 3000K Warm White
- 30D** 3000K Warm Dim to 1800K
- 35K** 3500K Neutral White
- BK** Black Powder Coat
- WH** White Powder Coat

TUBO WALL WASH	
COLOR TEMPERATURE	30K
TOTAL LUMENS	884
WATTS	15
LUMENS PER WATT (lm/w)	59
CRI	92
TM-30 DATA	R9: 61 Rf: 92 Rg: 100

ZOOM

16 WATTS



System: **T24** — Fixture: **ZOOM** — Beam Spread: **Z2** — Color Temperature: **30K** — Finish: **BK**

- T24** Track Head 24V Connector
 - ZOOM** Zoom
 - Z1** Zoom Adjust 15° to 55°
 - Z2** Zoom Adjust 20° to 50°
 - 24K** 2400K Very Warm White
 - 27K** 2700K Incandescent White
 - 30K** 3000K Warm White
 - 30D** 3000K Warm Dim to 1800K*
 - 35K** 3500K Neutral White
 - BK** Black Powder Coat
 - WH** White Powder Coat
- *Only available for Z2

	Z1		Z2		Z2	
BEAM ANGLE	15°	55°	20°	50°	20°	50°
COLOR TEMPERATURE	30K	30K	30K	30K	30D	30D
TOTAL LUMENS	686	873	795	1188	727	879
WATTS	16	16	16	16	15	15
LUMENS PER WATT (lm/w)	46	61	69	89	50	61
CRI	93	93	94	94	97	97
TM-30 DATA	R9: 66 Rf: 92 Rg: 101	R9: 66 Rf: 92 Rg: 101	R9: 74 Rf: 92 Rg: 102	R9: 74 Rf: 92 Rg: 102	R9: 66 Rf: 94 Rg: 101	R9: 66 Rf: 94 Rg: 101

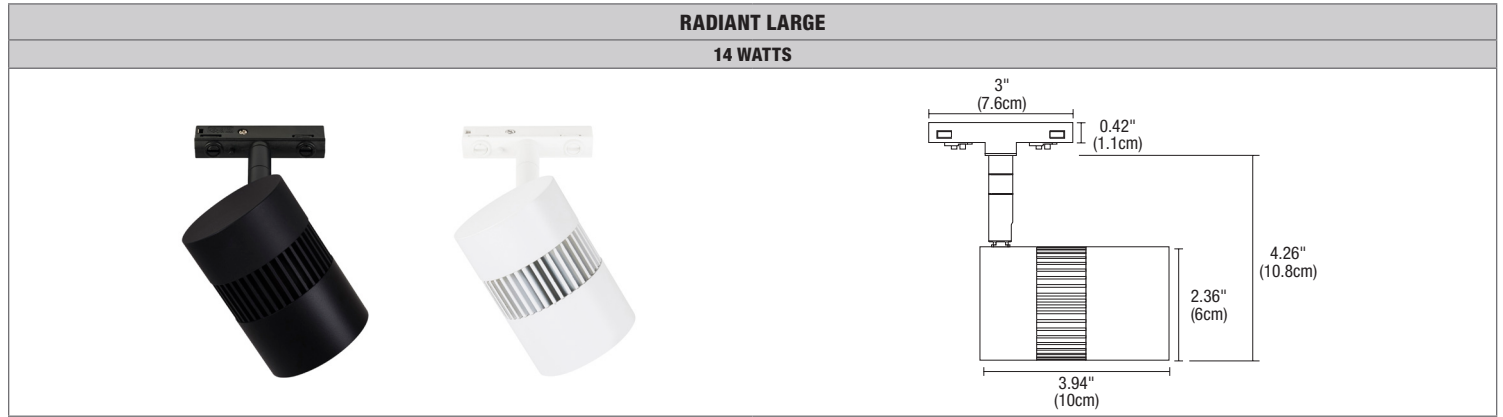
PROJECT	FIXTURE TYPE	DATE
---------	--------------	------

T24 TRACK HEADS

24VDC WITH INTEGRATED LED, STATIC WHITE & WARM DIM TECHNOLOGY

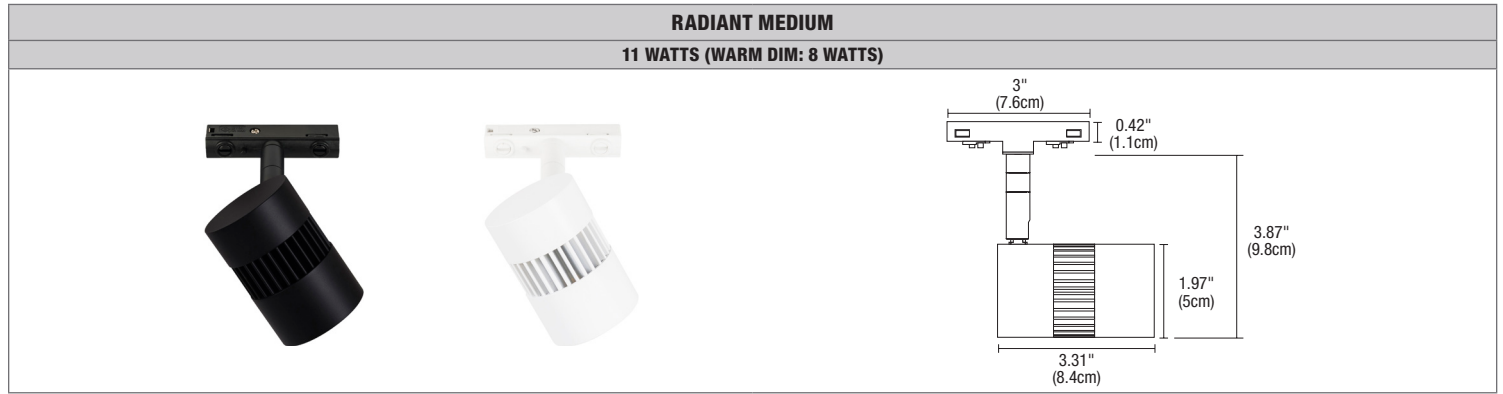
REV 07.20.23

All uniform beam spread options are field changeable, see accessories page.



System	Fixture	Beam Spread	Color Temperature	Finish
T24	RADL	FL	30K	WH
T24 24V Track System	RADL Radiant Large	NS Narrow Spot 10° SP Spot 20° NF Narrow Flood 35° FL Flood 45° WF Wide Flood 60° Warm Dim: NS (15°), SP (25°)	24K 2400K Very Warm White 27K 2700K Incandescent White 30K 3000K Warm White 30D 3000D Warm Dim* 35K 3500K Neutral White *Not available in NF	BK Black Powder Coat WH White Powder Coat

BEAM ANGLE REFERENCE 45°					
COLOR TEMPERATURE	24K	27K	30K	30D	35K
TOTAL LUMENS	1389	1161	1199	838	1422
WATTS	14	14	14	14	14
LUMENS PER WATT (lm/w)	99	83	86	58	102
CRI	97	92	93	97	98
TM-30 DATA	R9: 60 Rf: 93 Rg: 98	R9: 97 Rf: 92 Rg: 100	R9: 64 Rf: 91 Rg: 98	R9: 90 Rf: 95 Rg: 102	R9: 92 Rf: 94 Rg: 101



System	Fixture	Beam Spread	Color Temperature	Finish
T24	RADM	FL	30K	WH
T24 24V Track System	RADM Radiant Medium	SP Spot 20° NF Narrow Flood 35° FL Flood 45° WF Wide Flood 60°	24K 2400K Very Warm White 27K 2700K Incandescent White 30K 3000K Warm White 30D 3000D Warm Dim 35K 3500K Neutral White	BK Black Powder Coat WH White Powder Coat

BEAM ANGLE REFERENCE 45°					
COLOR TEMPERATURE	24K	27K	30K	30D	35K
TOTAL LUMENS	765	639	660	360	783
WATTS	11	11	11	7.7	11
LUMENS PER WATT (lm/w)	70	58	64	47	76
CRI	97	92	93	93	98
TM-30 DATA	R9: 97 Rf: 92 Rg: 100	R9: 64 Rf: 91 Rg: 98	R9: 90 Rf: 95 Rg: 102	R9: 92 Rf: 94 Rg: 101	R9: 92 Rf: 94 Rg: 101

MATERIAL	Extruded Aluminum	FREQUENCY	50/60HZ	APPLICATION	Suitable for damp or dry locations. Indoor use only.	COMPLIANCE LABEL	ETL to UL 2108 Standard
INPUT VOLTAGE	24VDC	POWER FACTOR	> 0.90	DIMMING & FLICKER	0-10V dimming Flicker less than 2%	LED LAMP LIFE	60,000 Hours

All track heads with the exception of Tubo Wall Wash and Zoom are JAB listed with universal power supplies in 27K CCT. Click the link to access our full Title 24 compliance listings: pureedgelighting.com/resources

PROJECT		FIXTURE TYPE		DATE	
---------	--	--------------	--	------	--

Additional Lenses and Accessories

TUBO LARGE LENS		SNOOT		LOUVER	FOCUS LENS	LINEAR SPREAD FILM	
ORDERING CODE	STATIC WHITE LEN-TUBL-NS-SW LEN-TUBL-SP-SW LEN-TUBL-NF-SW LEN-TUBL-FL-SW LEN-TUBL-VW-SW	WARM DIM LEN-TUBL-SP-WD LEN-TUBL-NF-WD LEN-TUBL-FL-WD	STB16-BK STB16-WH (WHITE SHELL)	ST16-BK ST16-WH	L016-H	LF-TUBL-SF (SOFT FOCUS), MF (MEDIUM FOCUS), WF (WIDE FOCUS)	LF-TUBL-LS
LENS SIZE	2" (50mm) Diameter						
BEAM SPREADS	NS (10°), SP (20°), NF (35°) FL (45°), VW (75°)		Conical snoot creates a 7° Beam spread and is designed to reduce spill and control glare. Spun aluminum.	Snoot is designed to reduce spill and control glare. Spun aluminum.	Hexcell louver eliminates glare. 0.125" Thickness.	Soft focus lens is included with every track head. Diffuses the beam, providing uniform illumination.	Linear spread film: directs the light into an elongated beam. Typical applications using 10°, 15°, 25° include illuminating landscape oriented art. 35°, 40°, 60° create an elongated oval typically used for wall washing.

TUBO SMALL LENS		SNOOT		LOUVER	FOCUS LENS	LINEAR SPREAD FILM
ORDERING CODE	STATIC WHITE LEN-TUBS-NS-SW LEN-TUBS-SP-SW LEN-TUBS-NF-SW LEN-TUBS-FL-SW LEN-TUBS-VW-SW	WARM DIM LEN-TUBS-NS-WD LEN-TUBS-SP-WD LEN-TUBS-NF-WD LEN-TUBS-FL-WD LEN-TUBS-VW-WD	TUBS-ST-BK TUBS-ST-WH (WHITE SHELL)	L011-H	LF-TUBS-SF (SOFT FOCUS), MF (MEDIUM FOCUS), WF (WHITE FOCUS)	LF-TUBS-LS
LENS SIZE	1.37" (35mm) Diameter					
BEAM SPREADS	NS (15°), SP (25°), NF (35°), FL (45°), VW (75°)		Conical snoot creates a 7° Beam spread and is designed to reduce spill and control glare. Spun aluminum.	Hexcell louver eliminates glare. 0.125" Thickness.	Soft focus lens is included with every track head. Diffuses the beam, providing uniform illumination.	Linear spread film: directs the light into an elongated beam. Typical applications using 10°, 15°, 25° include illuminating landscape oriented art. 35°, 40°, 60° create an elongated oval typically used for wall washing.

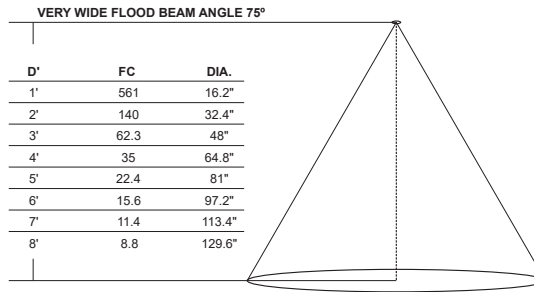
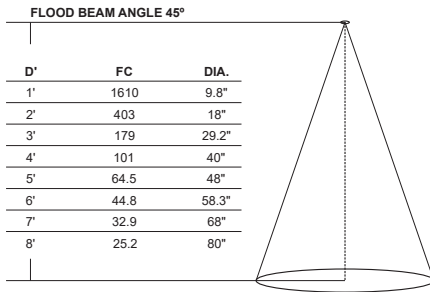
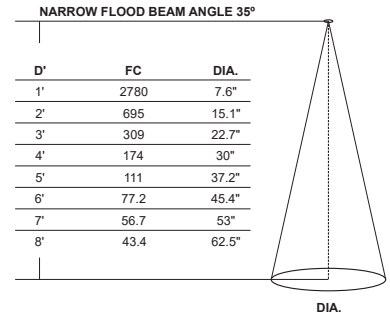
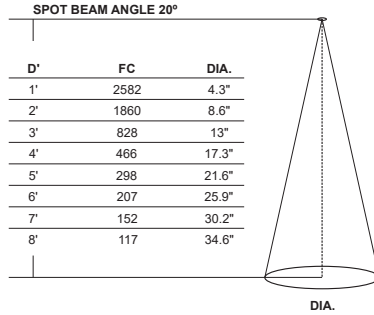
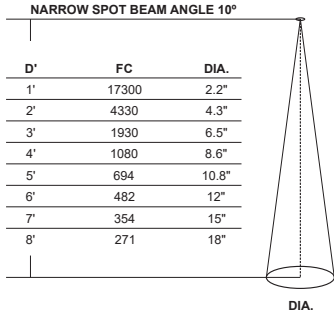
RADIANT LARGE LENS		SNOOT		LOUVER	FOCUS LENS	LINEAR SPREAD FILM
ORDERING CODE	STATIC WHITE LEN-RADL-NS-SW LEN-RADL-SP-SW LEN-RADL-NF-SW LEN-RADL-FL-SW LEN-RADL-WF-SW	WARM DIM LEN-RADL-NS-WD LEN-RADL-SP-WD LEN-RADL-FL-WD LEN-RADL-WF-WD	STB16-BK STB16-WH (WHITE SHELL)	L016-H	LF-RADL-SF (SOFT FOCUS), MF (MEDIUM FOCUS), WF (WIDE FOCUS)	LF-RADL-LS
LENS SIZE	2" (50mm) Diameter					
BEAM SPREADS	NS (10°), SP (20°), NF (35°), FL (45°), WF (60°)	NS (15°), SP (25°), FL (45°), WF (60°)	Conical snoot creates a 7° Beam spread and is designed to reduce spill and control glare. Spun aluminum.	Hexcell louver eliminates glare. 0.125" Thickness.	Soft focus lens is included with every track head. Diffuses the beam, providing uniform illumination.	Linear spread film: directs the light into an elongated beam. Typical applications using 10°, 15°, 25° include illuminating landscape oriented art. 35°, 40°, 60° create an elongated oval typically used for wall washing.

RADIANT MEDIUM LENS		LOUVER	FOCUS LENS	LINEAR SPREAD FILM
ORDERING CODE	STATIC WHITE LEN-RADM-SP-SW LEN-RADM-NF-SW LEN-RADM-FL-SW LEN-RADM-WF-SW	L011-H	LF-RADM-SF (SOFT FOCUS) MF (MEDIUM FOCUS), WF (WIDE FOCUS)	LF-RADM-LS
LENS SIZE	1.37" (35mm) Diameter	MR16 Hexcell louver accessory eliminates glare. 2" Diameter x .125" Thick.		
BEAM SPREADS	SP (20°), NF (35°), FL (45°), WF (60°)	Hexcell louver eliminates glare. 0.125" Thickness.	Soft focus lens is included with every track head. Diffuses the beam, providing uniform illumination.	Linear spread film: directs the light into an elongated beam. Typical applications using 10°, 15°, 25° include illuminating landscape oriented art. 35°, 40°, 60° create an elongated oval typically used for wall washing.

PROJECT		FIXTURE TYPE		DATE	
---------	--	--------------	--	------	--

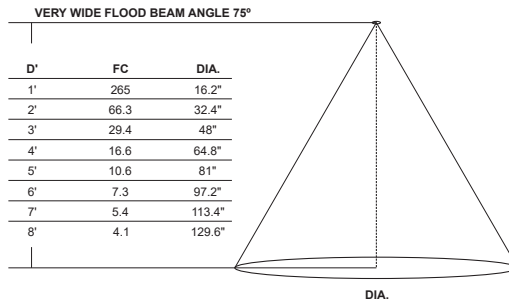
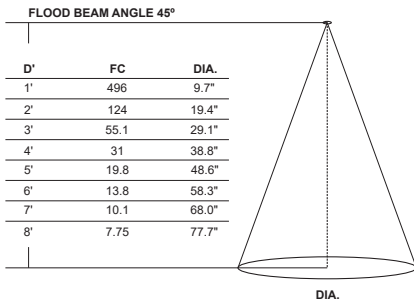
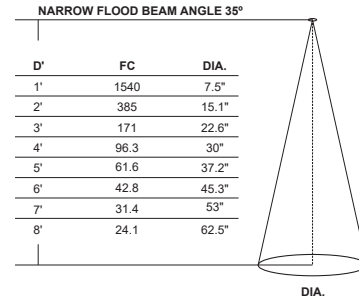
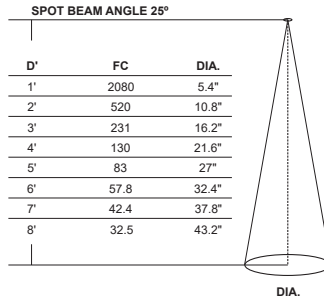
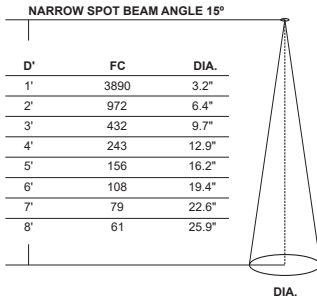
TUBO LARGE Photometric Data at 3000K

D - Distance from fixture
FC - Initial foot candles at the center of beam
DIA - Diameter



TUBO SMALL Photometric Data at 3000K

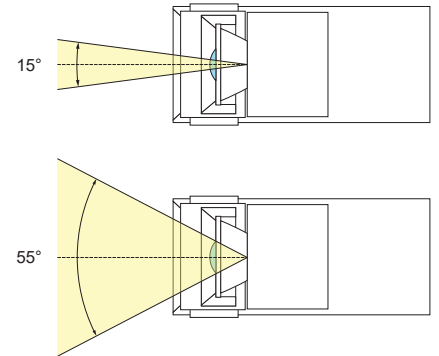
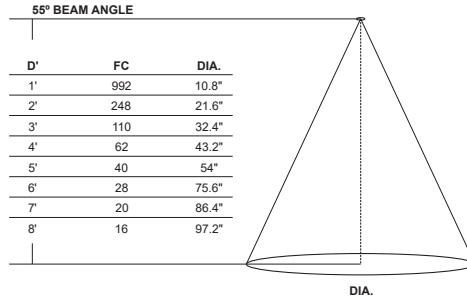
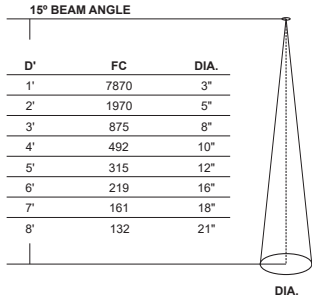
D - Distance from fixture
FC - Initial foot candles at the center of beam
DIA - Diameter



PROJECT	FIXTURE TYPE	DATE
---------	--------------	------

ZOOM Z1 Photometric Data at 3000K

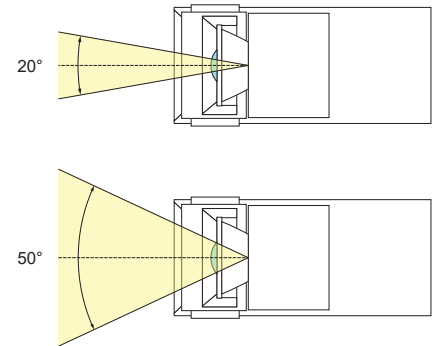
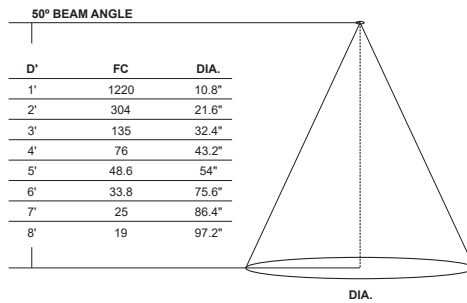
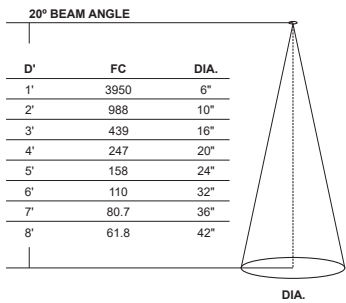
D - Distance from fixture
FC - Initial foot candles at the center of beam
DIA - Diameter



Z1: Adjustable between 15° and 55°

ZOOM Z2 Photometric Data at 3000K

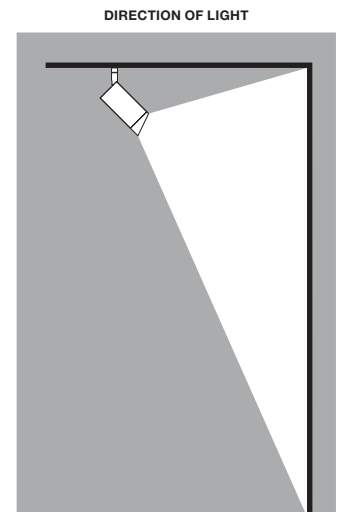
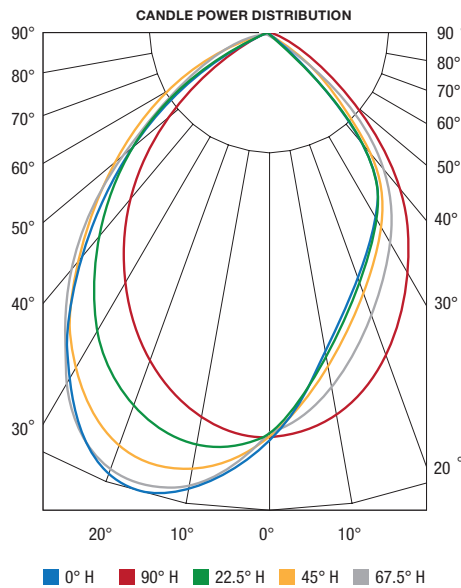
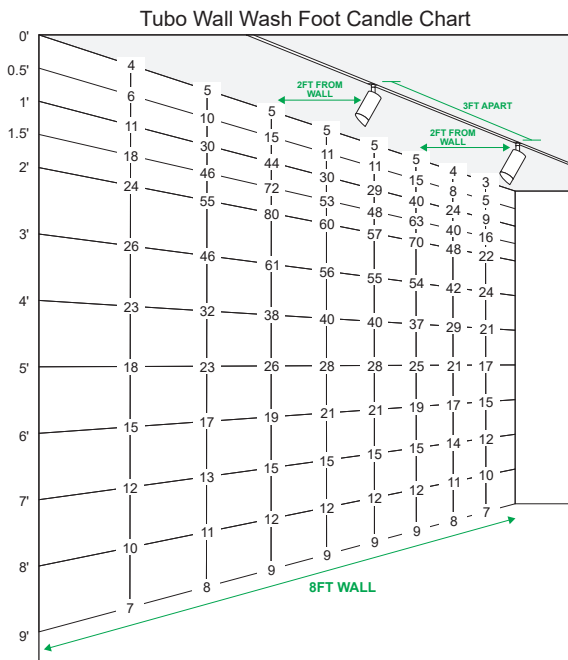
D - Distance from fixture
FC - Initial foot candles at the center of beam
DIA - Diameter



Z2: Adjustable between 20° and 50°

TUBO WALL WASH Photometric Data at 3000K

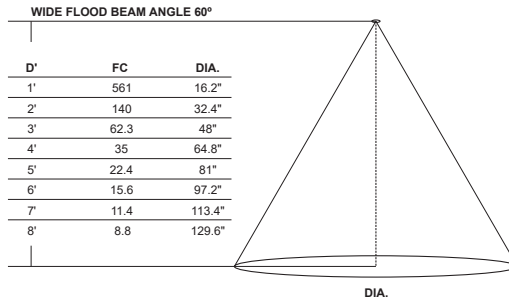
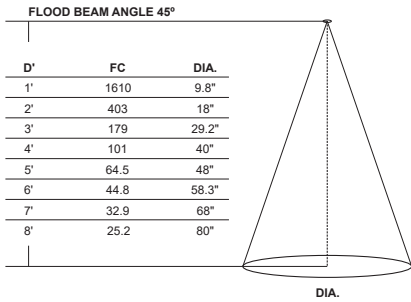
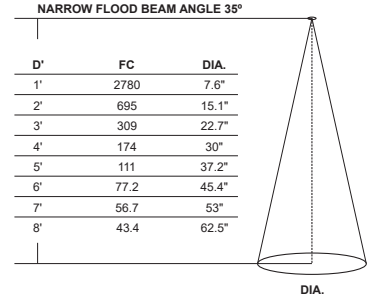
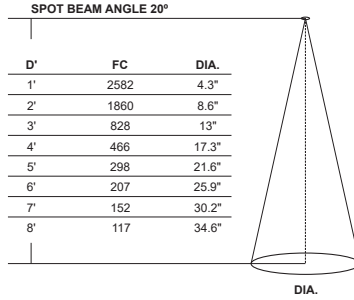
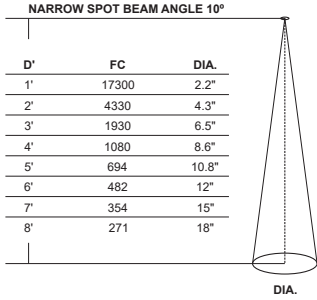
D - Distance from fixture
FC - Initial foot candles at the center of beam
DIA - Diameter



PROJECT	FIXTURE TYPE	DATE
---------	--------------	------

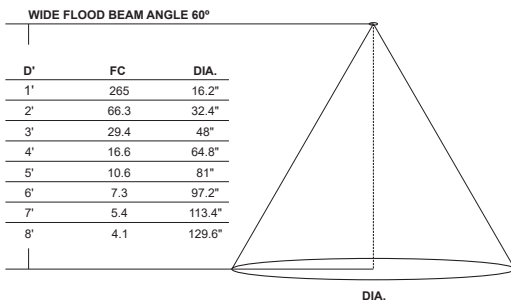
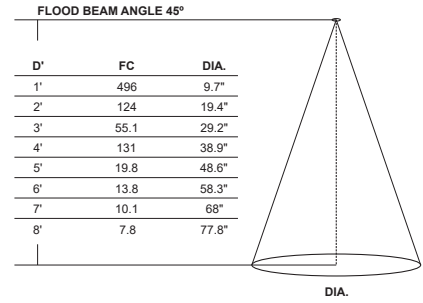
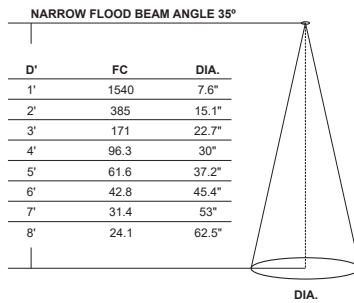
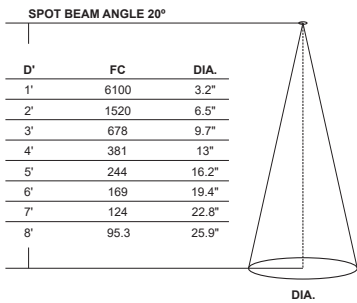
RADIANT LARGE Photometric Data at 3000K

D - Distance from fixture
FC - Initial foot candles at the center of beam
DIA - Diameter



RADIANT MEDIUM Photometric Data at 3000K

D - Distance from fixture
FC - Initial foot candles at the center of beam
DIA - Diameter



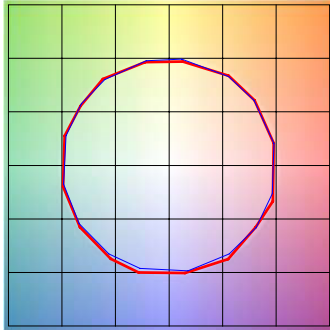
PROJECT	FIXTURE TYPE	DATE	
---------	--------------	------	--

TM30-15 DATA

T24 TRACK HEADS

RADIANT LARGE FLOOD 3000K | Rf: 95 | Rg: 101.6

Color Vector Graphic

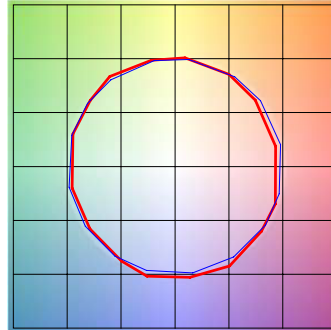


■ Test ■ Reference

GRAPHIC SHIFTS %			
HUE BIN	Rf	CHROMA	HUE
1	96.8	-0.3%	0.3%
2	97.8	0.3%	-0.3%
3	96.5	0.4%	0.3%
4	95.3	-2.1%	-1.4%
5	95.9	-1.1%	1.1%
6	96.4	1.4%	1.3%
7	93.9	-0.5%	1.9%
8	97.3	1.3%	0.3%
9	95.9	1%	2.1%
10	94.0	1.3%	3.3%
11	92.7	2.9%	4.1%
12	92.4	3.8%	-0.4%
13	94.6	1.5%	-3.2%
14	93.0	3.3%	-3.6%
15	94.6	-0.6%	-0.1%
16	90.1	1.9%	-6.9%

RADIANT MEDIUM FLOOD 3000K | Rf: 89.5 | Rg: 100.8

Color Vector Graphic

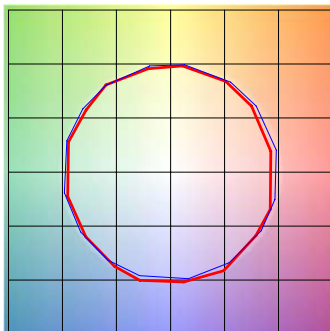


■ Test ■ Reference

GRAPHIC SHIFTS %			
HUE BIN	Rf	CHROMA	HUE
1	90.0	-4.9%	-0.7%
2	90.7	-3.6%	3.1%
3	87.2	-1.1%	5.9%
4	92.7	1.0%	3.8%
5	93.8	0.9%	2.7%
6	94.2	3.0%	-0.7%
7	92.7	-0.5%	-3.6%
8	96.6	-0.8%	-1.5%
9	94.4	-2.5%	1.4%
10	89.7	-2.3%	4.6%
11	87.3	0.5%	7.6%
12	89.9	5.2%	1.5%
13	92.0	3.6%	-3.4%
14	87.6	4.7%	-7.7%
15	88.2	-0.0%	-6.9%
16	85.8	-1.8%	-10.0%

TUBO LARGE FLOOD 3000K | Rf: 91.0 | Rg: 98.0

Color Vector Graphic

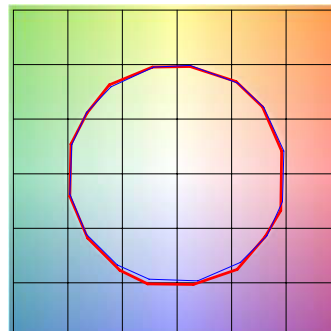


■ Test ■ Reference

GRAPHIC SHIFTS %			
HUE BIN	Rf	CHROMA	HUE
1	89.2	-5.2%	0.1%
2	91.3	-3.6%	2.4%
3	90.2	-1.8%	4.1%
4	94.7	-1.3%	1.8%
5	93.8	-2.3%	1.8%
6	96.8	0.4%	0.0%
7	93.1	-3.2%	-1.0%
8	96.6	-1.5%	0.7%
9	92.7	-2.4%	3.7%
10	87.4	-1.5%	6.3%
11	87.8	1.5%	8.1%
12	89.9	4.4%	1.0%
13	91.7	2.3%	-4.8%
14	87.4	3.3%	-8.5%
15	88.1	-1.5%	-6.3%
16	85.4	-2.6%	-9.8%

TUBO SMALL FLOOD 3000K | Rf: 95.0 | Rg: 102.2

Color Vector Graphic



■ Test ■ Reference

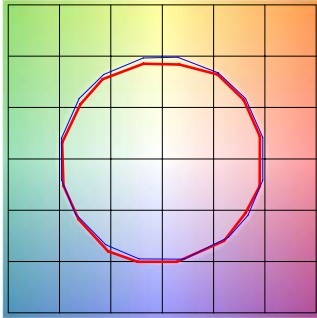
GRAPHIC SHIFTS %			
HUE BIN	Rf	CHROMA	HUE
1	96.6	-1.1%	-0.7%
2	97.9	-0.6%	0.4%
3	95.3	0.1%	2.0%
4	96.5	0.3%	1.4%
5	94.8	0.0%	2.0%
6	94.6	3.0%	0.9%
7	96.3	1.1%	-0.9%
8	96.6	1.5%	-1.3%
9	97.3	0.1%	0.4%
10	95.8	-0.5%	1.8%
11	92.5	1.0%	4.4%
12	92.5	4.1%	0.5%
13	94.9	2.5%	-2.0%
14	92.5	4.0%	-3.5%
15	94.0	1.2%	-3.0%
16	90.1	1.7%	-7.1%

PROJECT	FIXTURE TYPE	DATE
---------	--------------	------

TM-30-15 DATA: The data below is for bare LED Static White Strip. Consistent color temperatures throughout a single strip and among multiple strips is possible through a 3 phase binning process in which each order is inspected with a color meter to ensure uniformity.

2400K | Rf: 84.5 | Rg: 94.4

Color Vector Graphic

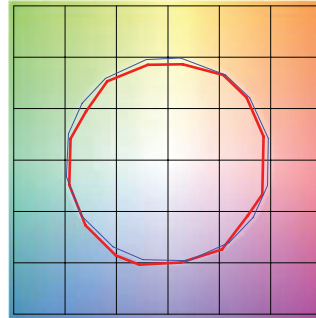


■ Test ■ Reference

HUE BIN	Rf	GRAPHIC SHIFTS %	
		CHROMA	HUE
1	92	-2.4%	1.5%
2	94.7	-2.1%	-0.0%
3	95.4	-1.9%	-0.1%
4	88.7	-6.7%	-3.1%
5	92.8	-5.6%	1.0%
6	92.7	-3.4%	3.4%
7	89.9	-4.3%	4.1%
8	92.4	-1.4%	4.4%
9	89	-0.6%	5.8%
10	88.9	0.4%	6.2%
11	89.7	4.0%	5.4%
12	92.6	3.0%	-0.7%
13	90.9	1.1%	-7.0%
14	89.9	0.5%	-5.8%
15	92.1	-3.2%	0.1%
16	88.9	-1.7%	-6.3%

2700K | Rf: 87.7 | Rg: 96.1

Color Vector Graphic

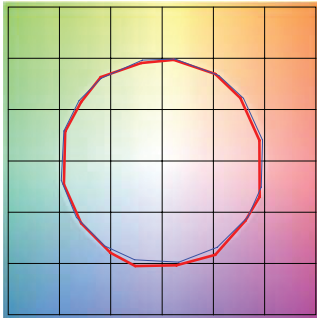


■ Test ■ Reference

HUE BIN	Rf	GRAPHIC SHIFTS %	
		CHROMA	HUE
1	88.0	-4.3%	2.6%
2	91.6	-2.4%	2.0%
3	93.7	-1.4%	1.9%
4	88.9	-5.6%	-3.1%
5	92.3	-5.5%	-0.5%
6	92.9	-3.5%	0.1%
7	84.5	-7.5%	4.6%
8	90.8	-3.0%	4.4%
9	84.5	-1.3%	8.3%
10	83.9	2.0%	9.8%
11	87.2	5.3%	7.1%
12	89.2	5.4%	-2.6%
13	88.7	0.3%	-7.8%
14	86.8	1.7%	-9.3%
15	87.6	-5.4%	-1.3%
16	83.6	-3.3%	-9.5%

3000K | Rf: 88.1 | Rg: 99.7

Color Vector Graphic

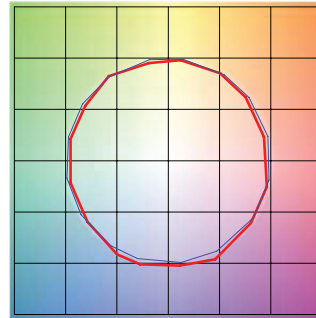


■ Test ■ Reference

HUE BIN	Rf	GRAPHIC SHIFTS %	
		CHROMA	HUE
1	92.5	-3.1%	0.3%
2	93.3	-2.3%	1.9%
3	90.9	-0.8%	3.9%
4	94.3	-1.1%	1.4%
5	92.5	-2.6%	1.5%
6	96.4	1.2%	-0.3%
7	92.6	-2.5%	-0.0%
8	96.9	-1.4%	0.2%
9	92.3	-1.8%	4.3%
10	86.6	-0.7%	7.0%
11	86.5	2.4%	8.2%
12	89.8	5.9%	1.7%
13	93.9	2.6%	-2.7%
14	89.4	5.1%	-5.8%
15	90.1	-0.1%	-4.7%
16	86.5	0.3%	-9.7%

3500K | Rf: 86.1 | Rg: 95.5

Color Vector Graphic

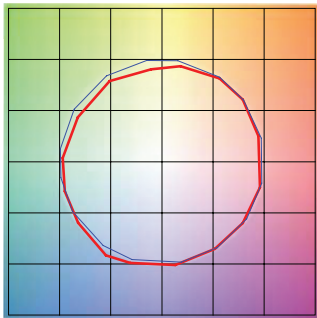


■ Test ■ Reference

HUE BIN	Rf	GRAPHIC SHIFTS %	
		CHROMA	HUE
1	90.8	-3.8%	0.3%
2	92.3	-2.8%	2.1%
3	89.7	-1.0%	4.3%
4	92.6	-1.4%	1.7%
5	91.8	-3.1%	1.3%
6	96.2	0.8%	-0.4%
7	92.9	-3.2%	0.2%
8	94.3	-2.5%	1.5%
9	90.4	-2.5%	5.2%
10	84.3	-1.4%	9.5%
11	83.1	3.5%	9.8%
12	88.2	4.8%	3.4%
13	94.0	2.7%	-2.0%
14	88.7	5.9%	-5.8%
15	88.7	0.7%	-5.9%
16	86.8	-0.7%	-6.7%

4000K | Rf: 87.6 | Rg: 96.8

Color Vector Graphic



■ Test ■ Reference

HUE BIN	Rf	GRAPHIC SHIFTS %	
		CHROMA	HUE
1	88.9	-2.4%	2.5%
2	93.3	-0.4%	0.8%
3	94.8	-1.0%	-0.6%
4	87.9	-4.9%	-3.6%
5	85.3	-9.4%	-2.6%
6	90.2	-6.0%	0.2%
7	85.3	-7.6%	4.6%
8	83.7	-4.1%	8.2%
9	79.5	-1.1%	13.8%
10	78.6	1.5%	12.1%
11	83.5	6.4%	7.8%
12	90.9	3.6%	-1.1%
13	88.3	1.7%	-6.3%
14	91.9	-0.4%	-2.2%
15	84.5	-0.9%	-5.5%
16	84.7	-1.1%	-4.4%

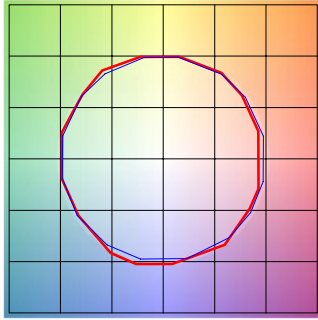
PROJECT	FIXTURE TYPE	DATE
---------	--------------	------

WARM DIM LED STRIP

TM-30-15 DATA: The data below is for bare LED Warm Dim Strip. Consistent color temperatures throughout a single strip and among multiple strips is possible through a 3 phase binning process in which each order is inspected with a color meter to ensure uniformity.

2700D | Rf: 90.7 | Rg: 101.1

Color Vector Graphic

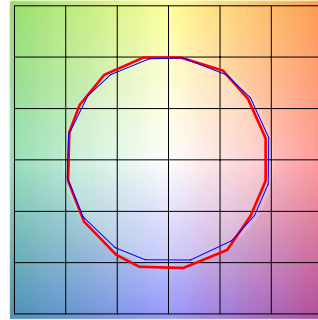


■ Test ■ Reference

HUE BIN	Rf	GRAPHIC SHIFTS %	
		CHROMA	HUE
1	90.9	-4.1%	1.1%
2	91.8	-2.2%	3.2%
3	89.0	0.2%	5.0%
4	92.9	-1.1%	0.8%
5	93.9	1.1%	1.7%
6	93.3	3.3%	0.0%
7	93.1	-0.5%	-1.9%
8	97.2	-0.3%	-0.9%
9	93.4	-1.0%	3.2%
10	89.9	-0.1%	5.6%
11	87.0	4.7%	7.2%
12	89.2	5.8%	-0.2%
13	89.1	3.5%	-6.7%
14	86.3	4.1%	-9.2%
15	91.4	-2.0%	-3.6%
16	84.7	-2.1%	-10.3%

3000D | Rf: 90.6 | Rg: 101.1

Color Vector Graphic



■ Test ■ Reference

HUE BIN	Rf	GRAPHIC SHIFTS %	
		CHROMA	HUE
1	91.5	-3.5%	1.3%
2	92.2	-1.8%	3.0%
3	89.3	0.5%	4.8%
4	92.7	-1.1%	0.6%
5	93.3	0.5%	1.4%
6	93.8	2.7%	-0.8%
7	91.2	-2.1%	-0.2%
8	97.0	-0.5%	-0.7%
9	92.5	-0.7%	3.8%
10	88.3	0.9%	7.1%
11	87.5	3.9%	7.6%
12	88.2	6.2%	-0.2%
13	89.9	3.4%	-6.0%
14	86.9	4.4%	-8.5%
15	91.9	-1.9%	-2.9%
16	84.7	-1.3%	-10.6%

PROJECT		FIXTURE TYPE		DATE	
---------	--	--------------	--	------	--