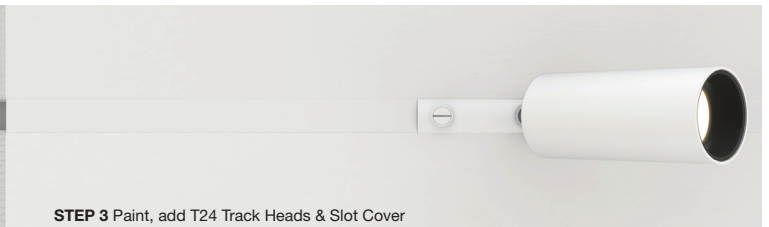


STEP 1 Cut into 5/8" drywall.

STEP 2 Plaster.



STEP 3 Paint, add T24 Track Heads & Slot Cover

DESCRIPTION

TruTrack® kit or DIY is a plaster-in recessed 24VDC single circuit track that is only as thick as the 5/8" drywall, which eliminates the concern of hitting studs or joists, and allows more flexibility to make turns along ceilings and walls. For a complete and clean architectural look, a paintable slot cover is supplied with TruTrack®, only the Track Head will be visible once installed. For custom quotes and layout assistance, send your drawings and ideas to our design team: design@PureEdgeLighting.com.

FEATURES

- Designed for use with a 24VDC Remote Power Supply up to 40' away
- Track Heads come in two options, Warm Dim - 3000K dims to 1900K, 95 CRI or 3000K Standard Dim
- Track Head Lumen Output up to 1256 Lumens with multiple fixed and adjustable beam spread options
- Soft Strip LED strip, in-line power feed, and transparent lens slot cover, create the opportunity to add a line of general lighting, anywhere along the line of the track. Track head and Strip are on the same circuit and will dim and switch as one.
- Track Power Feeds may be ordered in End, Center, L, T and X, up to 96 Watts before re-feeding
- Recessed TruTrack® Channel is available in 2', 4', 6' and 8' lengths, with the ability to be cut at the job site
- White Plastic Cover is included with TruTrack® Channel to hide Recessed Track Slot and may be painted to match the ceiling
- 10 Gauge Busbar to help eliminate voltage drop

FINISH & MATERIAL

- Slot Cover: Black, Warm White RAL 9010, Pure White Powder RAL 9016 Powder Coat
- Extruded Aluminum Channel, conductors are a pair of #10 Gauge Copper Busbar

TRACK HEAD FIXTURES AND INTEGRAL LED STRIP

- Track Heads: Static White - 24K, 27K, 30K and 35K. Warm Dim - 30D
- Integral LED Strip: 7 Static White Colors - 22K-57K. Warm Dim - 27D and 30D
- 50,000 Hour Lamp Life

REMOTE POWER SUPPLIES, DIMMERS & CONTROLS

(SOLD SEPARATELY)*
24VDC

- [Uni Power Supply](#) Universal Dimming (**TRIAC, ELV, 0-10V**)
ELV & TRIAC [Smart Dimmer & Switch](#)

APPLICATIONS

Indoor use only. Ideal applications in residential, commercial, retail and hospitality environments.

WARRANTY / LABELS

5 year pro-rated warranty. Assembled in America
ETL (Conforms to UL 1598 and 2108 and CSA 22.2 #250.0), Class 2

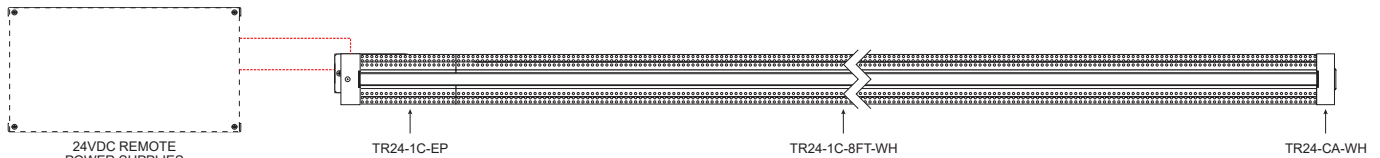
PureEdge is the Original Designer of 5/8" Drywall Products,
Backed by Over 30 Years of Precision Manufacturing and Design.

PROJECT	FIXTURE TYPE	DATE
---------	--------------	------

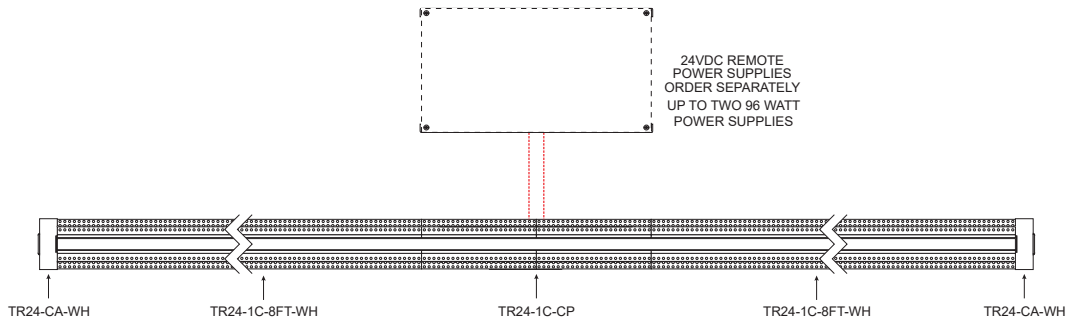


EASY KIT, Straight with power, Order fixture and power supply separately

Kit includes end feed, track, track cover and end cap.



System	Circuit Type	Power Feed	Length in Feet	Cover Color
TR24	1C	EP	30FT	WH
TR24 Track Recessed 24VDC	1C 1 Circuit	EP End Power Feed	2-30FT 2-30' Order by the foot up to 30 feet in two foot increments	BK Black PW Pure White Powder Coat RAL 9016 WH Warm White Powder Coat RAL 9010



System	Circuit Type	Power Feed	Length in Feet	Cover Color
TR24	1C	CP	60FT	WH
TR24 Track Recessed 24VDC	1C 1 Circuit	CP Center Power Feed	4- 60FT 4-60' Order by the foot up to 60 feet in four foot increments	BK Black PW Pure White Powder Coat RAL 9016 WH Warm White Powder Coat RAL 9010

PROJECT	FIXTURE TYPE	DATE
---------	--------------	------

TRUTRACK® DIY (DO IT YOURSELF)

24VDC RECESSED, SINGLE CIRCUIT

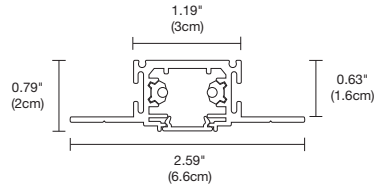
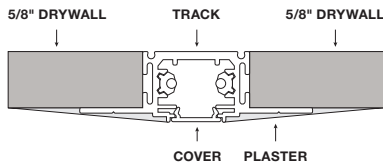
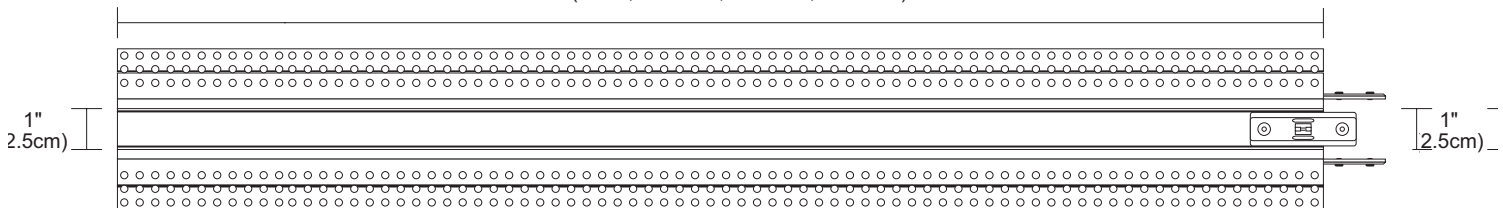


COMPONENTS Track Components



SINGLE CIRCUIT RECESSED 24VDC TRACK

2', 4', 6', 8'
(61cm, 121.9cm, 182.9cm, 243.8cm)



SINGLE CIRCUIT TRACK COMPONENTS

Made of extruded Aluminum Channel with 10 gauge bus bar to help eliminate voltage drop and is designed for use with 24VDC Remote Power Supply, sold separately. Includes two Opaque Covers for Track Slot and Conductive Connector.

System	Circuit	Length in Feet	Color
TR24	1C	8FT	WH
TR24 TruTrack® Recessed	1C Single Circuit	2FT 4FT 6FT 8FT	BK Black PW Pure White Powder Coat RAL 9016 WH Warm White Powder Coat RAL 9010

PROJECT	FIXTURE TYPE	DATE
---------	--------------	------

TRUTRACK® DIY (DO IT YOURSELF)

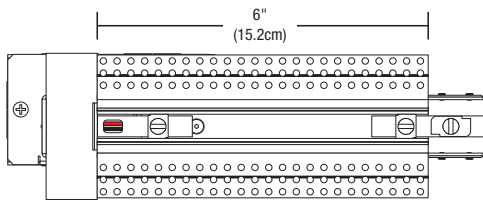
24VDC RECESSED, SINGLE CIRCUIT

COMPONENTS Power Feeds



END POWER FEED WITH JUNCTION BOX FOR 5/8"-1.25" DRYWALL
6" starter section included. Feed 24VDC Track up to 96 watts. May be used on cement ceiling with only 5/8" dry wall (Jbox not used)

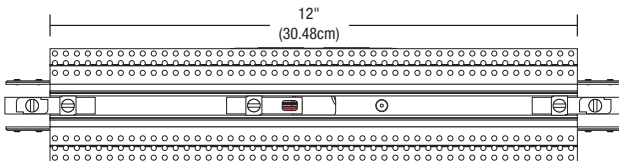
System	Circuit Type	Type	Finish
TR24	1C	EP	WH
TR24 TruTrack® Recessed	1C Single Circuit	EP End Power Feed up to 96 Watts, 24VDC, 6" Long track	BK Black PW Pure White Powder Coat RAL 9016 WH Warm White Powder Coat RAL 9010



CENTER POWER FEED WITH JUNCTION BOX FOR 5/8"-1.25" DRYWALL

12" starter section included, feed track up to 2x 96 watts 24VDC.

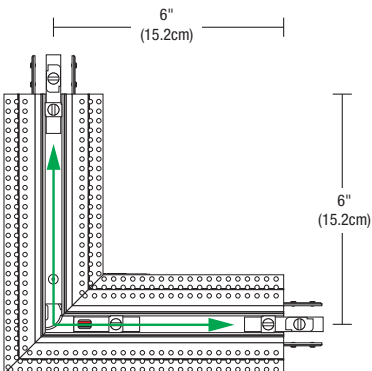
System	Circuit Type	Type	Finish
TR24	1C	CP	WH
TR24 TruTrack® Recessed	1C Single Circuit	CP Center Power Feed 2x96 Watts with 12" Long track	BK Black PW Pure White Powder Coat RAL 9016 WH Warm White Powder Coat RAL 9010



L-SHAPED POWER CONNECTOR FOR 5/8" DRYWALL WITH JUNCTION BOX

12" track starter section included, feed track up to 2x 96 watts 24VDC.

System	Circuit Type	Type	Finish
TR24	1C	LP	WH
TR24 TruTrack® Recessed	1C Single Circuit	LP L-Shaped Power Connector 2x96 Watts with 6" long Track	BK Black PW Pure White Powder Coat RAL 9016 WH Warm White Powder Coat RAL 9010

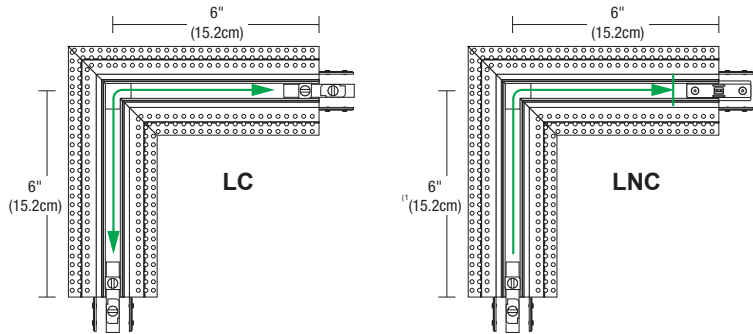


PROJECT	FIXTURE TYPE	DATE
---------	--------------	------

TRUTRACK® DIY (DO IT YOURSELF)

24VDC RECESSED, SINGLE CIRCUIT

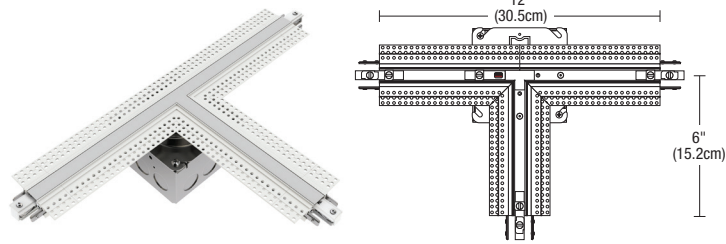
COMPONENTS Power Feeds (continued)



L-CONNECTOR

Conductive or Non-Conductive L-Connector joins two straight TruTrack® Channels together to make a 90° angle. Order Non-Conductive when adding two Power Supplies in a square configuration.

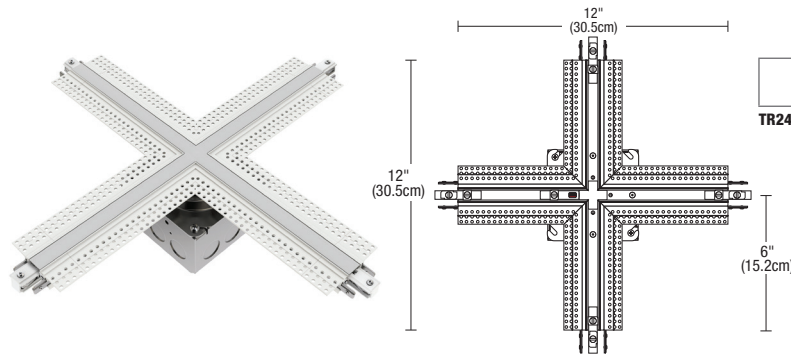
System	Type	Color
TR24	LC	WH
TR24 TruTrack® Recessed	LC L-Connector Conductive LNC L-Connector Non-Conductive	BK Black PW Pure White Powder Coat RAL 9016 WH Warm White Powder Coat RAL 9010



T-SHAPED POWER FEED WITH JUNCTION BOX FOR 5/8"-1.25" DRYWALL

T-Shaped Power feed for TruTrack®, feeds 96 watts 24VDC, 3 directions, mounting to a 4" Square Junction Box.

System	Circuit Type	Type	Color
TR24	1C	TP	WH
TR24 TruTrack® Recessed	1C Single Circuit	TP T-Shaped Power Feed Triple Feed up to 3x96 Watts, 24VDC with 6" Long Track	BK Black PW Pure White Powder Coat RAL 9016 WH Warm White Powder Coat RAL 9010



X-SHAPED POWER FEED WITH JUNCTION BOX FOR 5/8"-1.25" DRYWALL

X-Shaped Power feed for TruTrack®, feeds 96 watts 24VDC, 4 directions, mounting to a 4" Square Junction Box.

System	Circuit Type	Type	Color
TR24	1C	XP	WH
TR24 TruTrack® Recessed	1C Single Circuit	XP X-Shaped Power Feed Quad Feed up to 4x96 Watts, 24VDC, with 6" Long Track	BK Black PW Pure White Powder Coat RAL 9016 WH Warm White Powder Coat RAL 9010

PROJECT	FIXTURE TYPE	DATE
---------	--------------	------

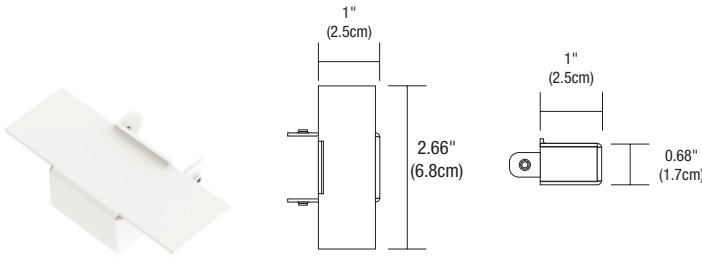
TRUTRACK® DIY (DO IT YOURSELF)

24VDC RECESSED, SINGLE CIRCUIT

COMPONENTS End Cap and Connectors

END CAP

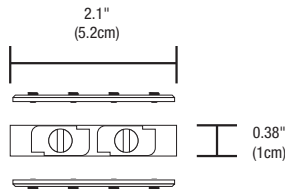
Need to be ordered with each dead end of TR24 Track System.



System	Type	Color
TR24	CA	WH
TR24 TruTrack® Recessed	CA End Cap	WH White Cover

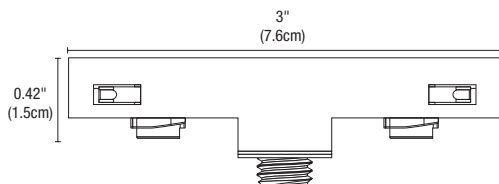
STRAIGHT CONNECTOR

Miniature Straight Connector joins two Track sections end to end and is covered by the Plastic Insert. Included with Track Sections.



System	Type
T24	SC
T24 Track Recessed 24VDC	SC Straight Connector Conductive SNC Straight Non-Conductive Connector

INCLUDED WITH TRACK HEADS



System	Connector	Finish
T24	FJR	BK
T24 TruTrack Recessed 24VDC	FJR Fast Jack Connector	BK Black PW Pure White Powder Coat RAL 9016 WH Warm White Powder Coat RAL 9010

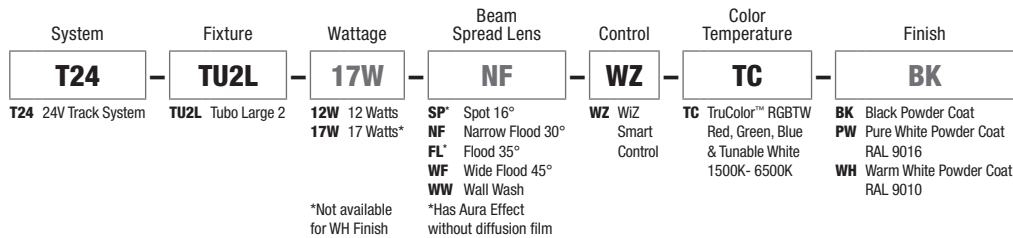
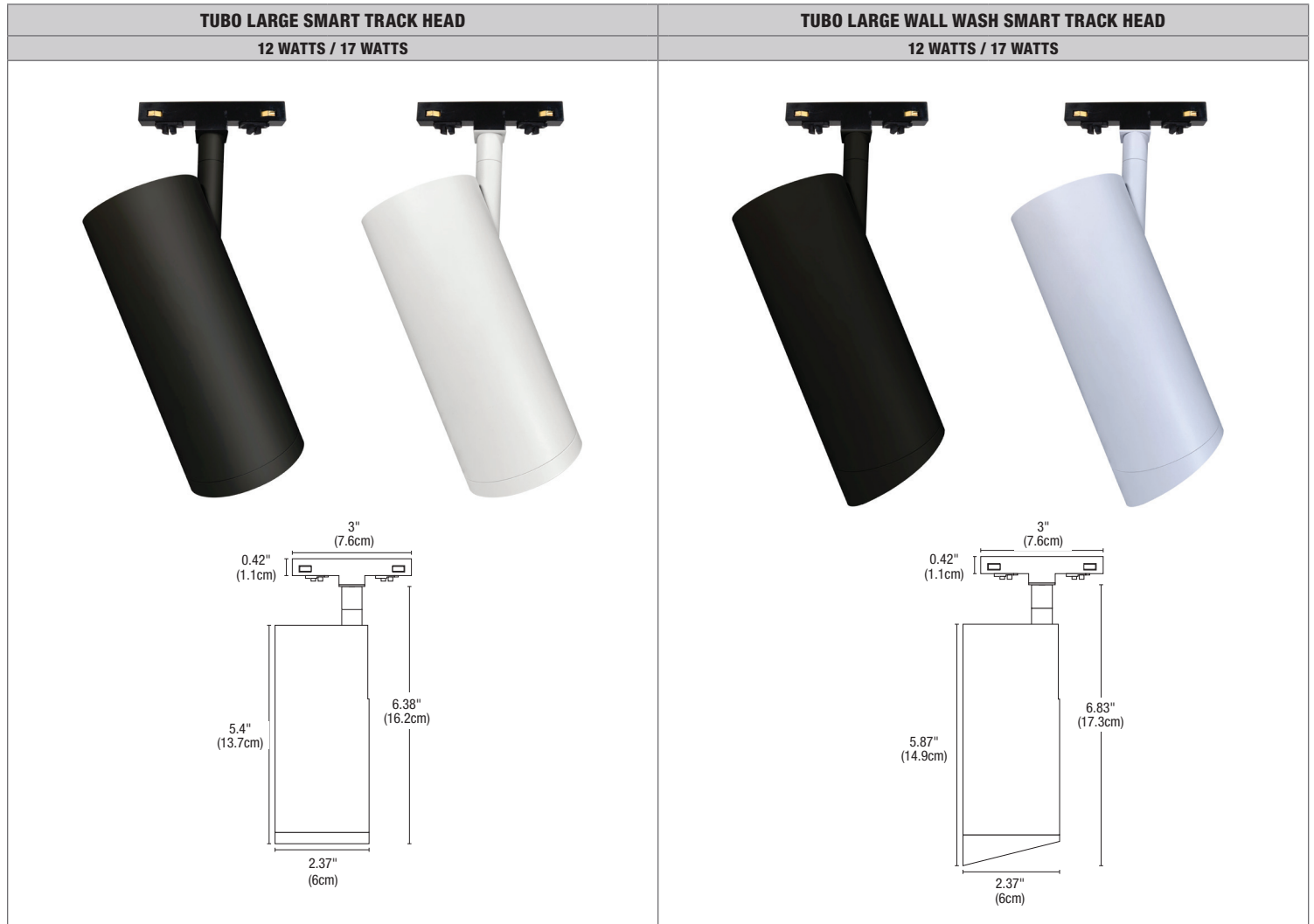
PROJECT	FIXTURE TYPE	DATE
---------	--------------	------

T24 TRACK HEADS

24VDC WITH INTEGRATED LED, STATIC WHITE & WARM DIM TECHNOLOGY

PureEdge T24 Track Heads are Compatible with TruTrack® (TR24). All uniform beam spread options are field changeable. See accessories page for more information.

Pure Smart™ TruColor™ RGBTW



WATTS	12W										17W									
	20K	22K	24K	27K	30K	35K	40K	57K	65K	20K	22K	24K	27K	30K	35K	40K	57K	65K		
COLOR TEMPERATURE	445	462	507	596	670	737	751	596	494	830	862	962	1130	1271	1401	1531	1307	1082		
LUMENS	44	44	47	52	56	61	64	60	56	64	62	65	72	79	87	96	93	82		
LUMENS PER WATT (lm/w)	86.7	88.3	89.7	93.2	95.2	96.8	96.7	93.9	91.6	86.4	88.4	91.8	94.7	95.9	97.3	96.5	94.8	93.3		
CRI	-0.0027	-0.0011	-0.0019	-0.0022	-0.0023	-0.0005	-0.0005	-0.0041	-0.0036	0.0026	0.0026	0.0026	0.0033	0.0037	0.0024	0.0008	0.0024	0.0006		
Duv	87	88	90	93	94	94	93	93	91	88	89	92	94	95	95	94	93	92		
Rf	104	101	103	103	103	101	100	105	106	105	105	105	104	104	103	100	105	105		
Rg	91	92	90	94	97	98	94	80	66	84	86	92	97	97	98	85	90	83		
R9	83	85	87	91	93	96	96	93	92	82	85	89	93	94	96	99	96	96		
R13	92	93	93	95	96	97	95	91	88	90	91	93	96	96	97	96	94	93		
R15	10	11	11	12	12	12	12	10	9	13	14	15	16	16	16	16	14	13		
WATTS																				

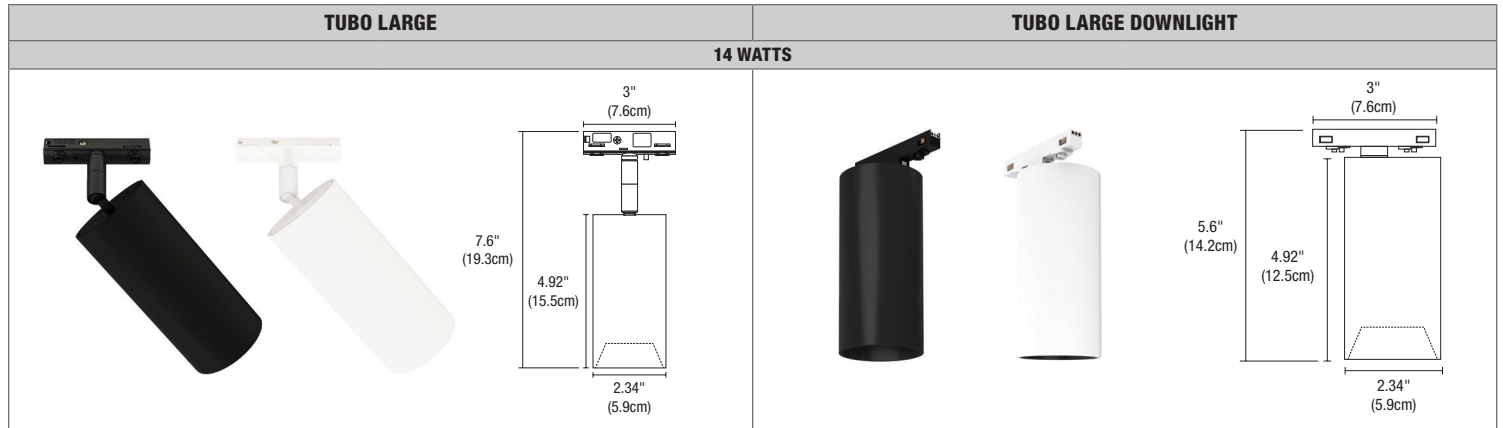
PROJECT	FIXTURE TYPE	DATE
---------	--------------	------

T24 TRACK HEADS

24VDC WITH INTEGRATED LED, STATIC WHITE & WARM DIM TECHNOLOGY

REV.10.10.25

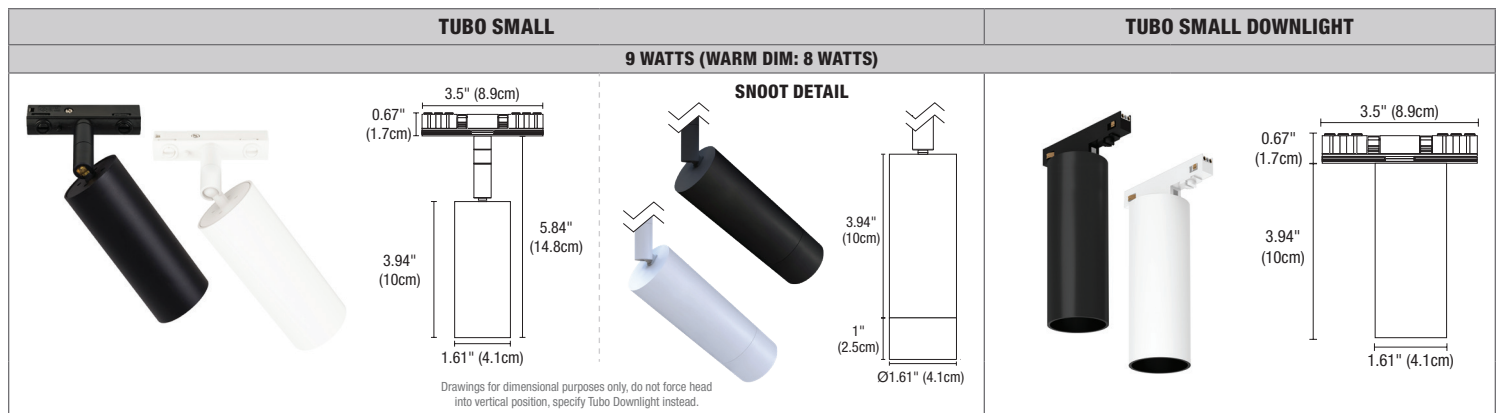
All uniform beam spread options are field changeable. See accessories page for more information.



14 WATTS

System	Fixture	Beam Spread	Color Temperature	Finish
T24	TUBL	FL	30K	WH
T24 24V Track System	TUBL Tubo Large TUBLD Tubo Large Downlight	NS Narrow Spot 10° SP Spot 20° NF Narrow Flood 35° FL Flood 45° WF Wide Flood 60° For 7° use TUBS-ST snoot with NS	24K 2400K Very Warm White 27K 2700K Incandescent White 30D 3000D Warm Dim 30K 3000K Warm White 35K 3500K Neutral White 30D NS: 7.5W, 400 lumens	BK Black Powder Coat WH Warm White Powder Coat RAL 9010 PW Pure White Powder Coat RAL 9016

BEAM ANGLE REFERENCE 45°					
COLOR TEMPERATURE	24K	27K	30K	30D	35K
TOTAL LUMENS	1238	1035	1069	683	1268
WATTS	14	14	14	14	14
LUMENS PER WATT (lm/w)	88	74	76	49	91
CRI	97	92	91	97	98
TM-30 DATA	R9: 60 Rf: 93 Rg: 98	R9: 97 Rf: 92 Rg: 100	R9: 64 Rf: 91 Rg: 98	R9: 90 Rf: 95 Rg: 102	R9: 92 Rf: 94 Rg: 101



9 WATTS (WARM DIM: 8 WATTS)

SNOOT DETAIL

Drawings for dimensional purposes only, do not force head into vertical position, specify Tubo Downlight instead.

System	Fixture	Beam Spread	Color Temperature	Finish
T24	TUBS	FL	30K	WH
T24 24V Track System	TUBS Tubo Small TUBSD Tubo Small Downlight	NS* Narrow Spot 15° SP Spot 25° NF Narrow Flood 35° FL Flood 45° WF Wide Flood 60° *NS with 30D Warm Dim uses snoot	24K 2400K Very Warm White 27K 2700K Incandescent White 30D 3000D Warm Dim 30K 3000K Warm White 35K 3500K Neutral White	BK Black Powder Coat WH Warm White Powder Coat RAL 9010

BEAM ANGLE REFERENCE 45°					
COLOR TEMPERATURE	24K	27K	30K	30D	35K
TOTAL LUMENS	503	420	434	287	515
WATTS	9	9	9	8	9
LUMENS PER WATT (lm/w)	59	49	51	39	61
CRI	97	92	93	94	98
TM-30 DATA	R9: 60 Rf: 93 Rg: 98	R9: 97 Rf: 92 Rg: 100	R9: 64 Rf: 91 Rg: 98	R9: 90 Rf: 95 Rg: 102	R9: 92 Rf: 94 Rg: 101

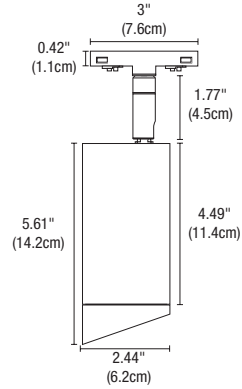
PROJECT	FIXTURE TYPE	DATE
---------	--------------	------

T24 TRACK HEADS

24VDC WITH INTEGRATED LED, STATIC WHITE & WARM DIM TECHNOLOGY

TUBO LARGE WALL WASH

15 WATTS

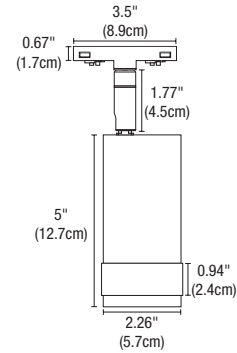


System	Fixture	Beam Spread	Color Temperature	Finish
T24	TUBL	WW	30K	BK
T24 Track Head 24V	TUBL Tubo Large	WW Wall Wash	24K 2400K Very Warm White 27K 2700K Incandescent White 30K 3000K Warm White 30D 3000K Warm Dim to 1800K 35K 3500K Neutral White	BK Black Powder Coat WH Warm White Powder Coat RAL 9010 PW Pure White Powder Coat RAL 9016

TUBO WALL WASH	
COLOR TEMPERATURE	30K
TOTAL LUMENS	884
WATTS	15
LUMENS PER WATT (lm/w)	59
CRI	92
TM-30 DATA	R9: 61 Rf: 92 Rg: 100

ZOOM

16 WATTS



System	Fixture	Beam Spread	Color Temperature	Finish
T24	ZOOM	Z2	30K	BK
T24 Track Head 24V Connector	ZOOM Zoom	Z1 Zoom Adjust 15° to 55° Z2 Zoom Adjust 20° to 50°	24K 2400K Very Warm White 27K 2700K Incandescent White 30K 3000K Warm White 30D 3000K Warm Dim to 1800K* 35K 3500K Neutral White *Only available for Z2	BK Black Powder Coat WH Warm White Powder Coat RAL 9010

	Z1		Z2		Z2	
BEAM ANGLE	15°	55°	20°	50°	20°	50°
COLOR TEMPERATURE	30K	30K	30K	30K	30D	30D
TOTAL LUMENS	686	873	795	1188	727	879
WATTS	16	16	16	16	15	15
LUMENS PER WATT (lm/w)	46	61	69	89	50	61
CRI	93	93	94	94	97	97
TM-30 DATA	R9: 66 Rf: 92 Rg: 101	R9: 66 Rf: 92 Rg: 101	R9: 74 Rf: 92 Rg: 102	R9: 74 Rf: 92 Rg: 102	R9: 66 Rf: 94 Rg: 101	R9: 66 Rf: 94 Rg: 101

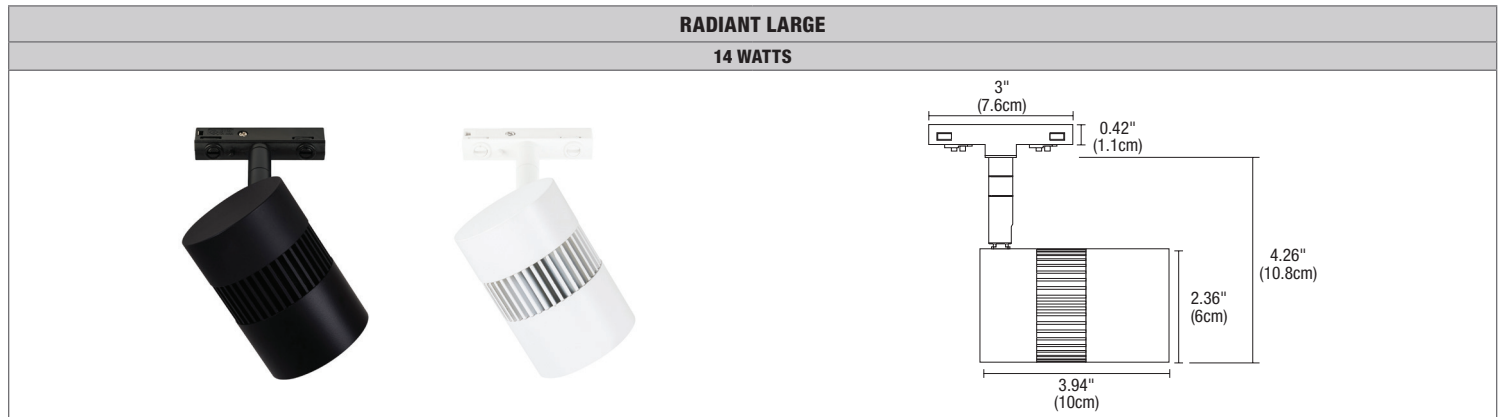
PROJECT	FIXTURE TYPE	DATE
---------	--------------	------

T24 TRACK HEADS

24VDC WITH INTEGRATED LED, STATIC WHITE & WARM DIM TECHNOLOGY

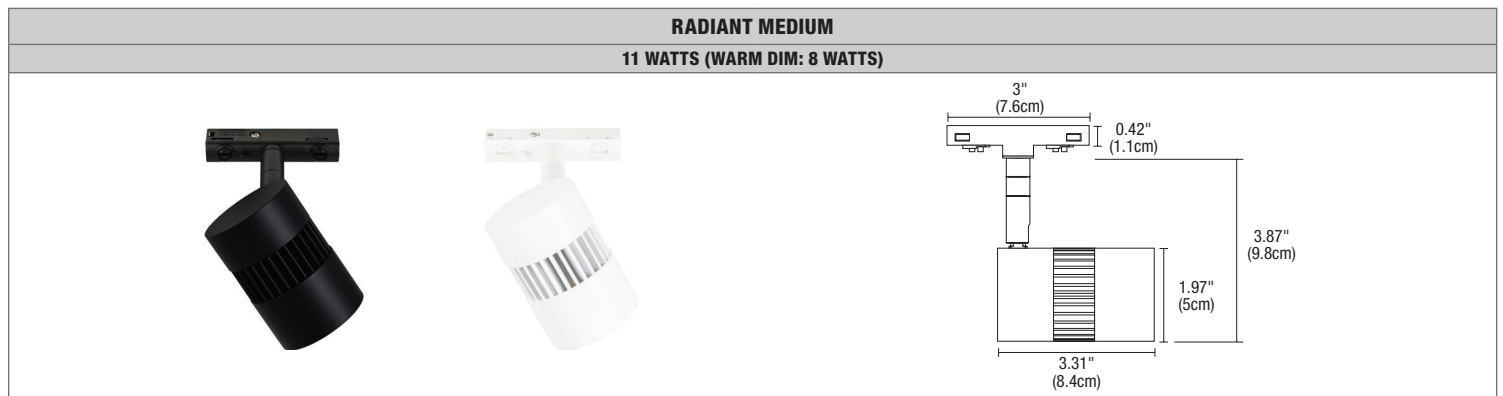
REV 10.10.25

All uniform beam spread options are field changeable, see accessories page.



System	Fixture	Beam Spread	Color Temperature	Finish
T24	RADL	FL	30K	WH
T24 24V Track System	RADL Radiant Large	NS Narrow Spot 10° SP Spot 20° NF Narrow Flood 35° FL Flood 45° WF Wide Flood 60° Warm Dim: NS (15°), SP (25°)	24K 2400K Very Warm White 27K 2700K Incandescent White 30K 3000K Warm White 30D 3000D Warm Dim* 35K 3500K Neutral White *Not available in NF	BK Black Powder Coat WH Warm White Powder Coat RAL 9010

BEAM ANGLE REFERENCE 45°					
COLOR TEMPERATURE	24K	27K	30K	30D	35K
TOTAL LUMENS	1389	1161	1199	838	1422
WATTS	14	14	14	14	14
LUMENS PER WATT (lm/w)	99	83	86	58	102
CRI	97	92	93	97	98
TM-30 DATA	R9: 60 Rf: 93 Rg: 98	R9: 97 Rf: 92 Rg: 100	R9: 64 Rf: 91 Rg: 98	R9: 90 Rf: 95 Rg: 102	R9: 92 Rf: 94 Rg: 101



System	Fixture	Beam Spread	Color Temperature	Finish
T24	RADM	FL	30K	WH
T24 24V Track System	RADM Radiant Medium	SP Spot 20° NF Narrow Flood 35° FL Flood 45° WF Wide Flood 60°	24K 2400K Very Warm White 27K 2700K Incandescent White 30K 3000K Warm White 30D 3000D Warm Dim 35K 3500K Neutral White	BK Black Powder Coat WH Warm White Powder Coat RAL 9010

BEAM ANGLE REFERENCE 45°					
COLOR TEMPERATURE	24K	27K	30K	30D	35K
TOTAL LUMENS	765	639	660	360	783
WATTS	11	11	11	7.7	11
LUMENS PER WATT (lm/w)	70	58	64	47	76
CRI	97	92	93	93	98
TM-30 DATA	R9: 97 Rf: 92 Rg: 100	R9: 64 Rf: 91 Rg: 98	R9: 90 Rf: 95 Rg: 102	R9: 92 Rf: 94 Rg: 101	R9: 92 Rf: 94 Rg: 101

PROJECT	FIXTURE TYPE	DATE
---------	--------------	------

T24 TRACK HEADS

24VDC WITH INTEGRATED LED, STATIC WHITE & WARM DIM TECHNOLOGY

REV.10.10.25

Additional Lenses and Accessories

TUBO LARGE LENS		SNOOT		LOUVER	FOCUS LENS	LINEAR SPREAD FILM	
ORDERING CODE	STATIC WHITE LEN-TUBL-NS-SW LEN-TUBL-SP-SW LEN-TUBL-NF-SW LEN-TUBL-FL-SW LEN-TUBL-WF-SW	WARM DIM LEN-TUBL-SP-WD LEN-TUBL-NF-WD LEN-TUBL-FL-WD LEN-TUBL-WF-WD	STB16-BK STB16-WH (WHITE SHELL)	ST16-BK ST16-WH	L016-H	LF-TUBL-SF (SOFT FOCUS), MF (MEDIUM FOCUS), WF (WIDE FOCUS)	LF-TUBL-LS
LENS SIZE	2" (50mm) Diameter						
BEAM SPREADS	NS (10°), SP (20°), NF (35°) FL (45°), WF (60°)		Conical snoot creates a 7° Beam spread and is designed to reduce spill and control glare. Spun aluminum.	Snoot is designed to reduce spill and control glare. Spun aluminum.	Hexcell louver eliminates glare. 0.125" Thickness.	Soft focus lens is included with every track head. Diffuses the beam, providing uniform illumination.	Linear spread film: directs the light into an elongated beam. Typical applications using 10°, 15°, 25° include illuminating landscape oriented art. 35°, 40°, 60° create an elongated oval typically used for wall washing.

TUBO SMALL LENS		SNOOT		LOUVER	FOCUS LENS	LINEAR SPREAD FILM	
ORDERING CODE	STATIC WHITE LEN-TUBS-NS-SW LEN-TUBS-SP-SW LEN-TUBS-NF-SW LEN-TUBS-FL-SW LEN-TUBS-WF-SW	WARM DIM LEN-TUBS-NS-WD LEN-TUBS-SP-WD LEN-TUBS-NF-WD LEN-TUBS-FL-WD LEN-TUBS-WF-WD	TUBS-ST-BK TUBS-ST-WH (WHITE SHELL)		L011-H	LF-TUBS-SF (SOFT FOCUS), MF (MEDIUM FOCUS), WF (WIDE FOCUS)	LF-TUBS-LS
LENS SIZE	1.37" (35mm) Diameter						
BEAM SPREADS	NS (15°), SP (25°), NF (35°), FL (45°), WF (60°)		Conical snoot creates a 7° Beam spread and is designed to reduce spill and control glare. Spun aluminum.	Hexcell louver eliminates glare. 0.125" Thickness.	Soft focus lens is included with every track head. Diffuses the beam, providing uniform illumination.	Linear spread film: directs the light into an elongated beam. Typical applications using 10°, 15°, 25° include illuminating landscape oriented art. 35°, 40°, 60° create an elongated oval typically used for wall washing.	



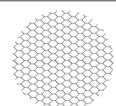


RADIANT LARGE LENS		SNOOT		LOUVER	FOCUS LENS	LINEAR SPREAD FILM	
ORDERING CODE	STATIC WHITE LEN-RADL-NS-SW LEN-RADL-SP-SW LEN-RADL-NF-SW LEN-RADL-FL-SW LEN-RADL-WF-SW	WARM DIM LEN-RADL-NS-WD LEN-RADL-SP-WD LEN-RADL-FL-WD LEN-RADL-WF-WD	STB16-BK STB16-WH (WHITE SHELL)		L016-H	LF-RADL-SF (SOFT FOCUS), MF (MEDIUM FOCUS), WF (WIDE FOCUS)	LF-RADL-LS
LENS SIZE	2" (50mm) Diameter						
BEAM SPREADS	NS (10°), SP (20°), NF (35°), FL (45°), WF (60°)	NS (15°), SP (25°), FL (45°), WF (60°)	Conical snoot creates a 7° Beam spread and is designed to reduce spill and control glare. Spun aluminum.	Hexcell louver eliminates glare. 0.125" Thickness.	Soft focus lens is included with every track head. Diffuses the beam, providing uniform illumination.	Linear spread film: directs the light into an elongated beam. Typical applications using 10°, 15°, 25° include illuminating landscape oriented art. 35°, 40°, 60° create an elongated oval typically used for wall washing.	



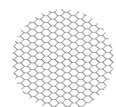


RADIANT MEDIUM LENS		LOUVER	FOCUS LENS	LINEAR SPREAD FILM
ORDERING CODE	STATIC WHITE LEN-RADM-SP-SW LEN-RADM-NF-SW LEN-RADM-FL-SW LEN-RADM-WF-SW	L011-H	LF-RADM-SF (SOFT FOCUS) MF (MEDIUM FOCUS), WF (WIDE FOCUS)	LF-RADM-LS
LENS SIZE	1.37" (35mm) Diameter			
BEAM SPREADS	SP (20°), NF (35°), FL (45°), WF (60°)		Hexcell louver eliminates glare. 0.125" Thickness.	Soft focus lens is included with every track head. Diffuses the beam, providing uniform illumination.



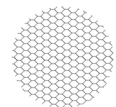


PROJECT		FIXTURE TYPE		DATE	
---------	--	--------------	--	------	--


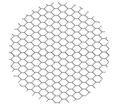


Additional Lenses and Accessories

REV.10.10.25

TUBO LARGE LENS		SNOOT		LOUVER	FOCUS LENS	LINEAR SPREAD FILM	
							
ORDERING CODE	STATIC WHITE LEN-TUBL-NS-SW LEN-TUBL-SP-SW LEN-TUBL-NF-SW LEN-TUBL-FL-SW LEN-TUBL-WF-SW	WARM DIM LEN-TUBL-SP-WD LEN-TUBL-NF-WD LEN-TUBL-FL-WD LEN-TUBL-WF-WD	STB16-BK STB16-WH (WHITE SHELL)	ST16-BK ST16-WH	L016-H	LF-TUBL-SF (SOFT FOCUS), MF (MEDIUM FOCUS), WF (WIDE FOCUS)	LF-TUBL-LS
LENS SIZE	2" (50mm) Diameter						
BEAM SPREADS	NS (10°), SP (20°), NF (35°) FL (45°), WF (60°)		Conical snoot creates a 7° Beam spread and is designed to reduce spill and control glare. Spun aluminum.	Snoot is designed to reduce spill and control glare. Spun aluminum.	Hexcell louver eliminates glare. 0.125" Thickness.	Soft focus lens is included with every track head. Diffuses the beam, providing uniform illumination.	Linear spread film: directs the light into an elongated beam. Typical applications using 10°, 15°, 25° include illuminating landscape oriented art. 35°, 40°, 60° create an elongated oval typically used for wall washing.

TUBO SMALL LENS		SNOOT		LOUVER	FOCUS LENS	LINEAR SPREAD FILM	
							
ORDERING CODE	STATIC WHITE LEN-TUBS-NS-SW LEN-TUBS-SP-SW LEN-TUBS-NF-SW LEN-TUBS-FL-SW LEN-TUBS-WF-SW	WARM DIM LEN-TUBS-NS-WD LEN-TUBS-SP-WD LEN-TUBS-NF-WD LEN-TUBS-FL-WD LEN-TUBS-WF-WD	TUBS-ST-BK TUBS-ST-WH (WHITE SHELL)		L011-H	LF-TUBS-SF (SOFT FOCUS), MF (MEDIUM FOCUS), WF (WIDE FOCUS)	LF-TUBS-LS
LENS SIZE	1.37" (35mm) Diameter						
BEAM SPREADS	NS (15°), SP (25°), NF (35°), FL (45°), WF (60°)		Conical snoot creates a 7° Beam spread and is designed to reduce spill and control glare. Spun aluminum.		Hexcell louver eliminates glare. 0.125" Thickness.	Soft focus lens is included with every track head. Diffuses the beam, providing uniform illumination.	Linear spread film: directs the light into an elongated beam. Typical applications using 10°, 15°, 25° include illuminating landscape oriented art. 35°, 40°, 60° create an elongated oval typically used for wall washing.

RADIANT LARGE LENS		SNOOT		LOUVER	FOCUS LENS	LINEAR SPREAD FILM	
							
ORDERING CODE	STATIC WHITE LEN-RADL-NS-SW LEN-RADL-SP-SW LEN-RADL-NF-SW LEN-RADL-FL-SW LEN-RADL-WF-SW	WARM DIM LEN-RADL-NS-WD LEN-RADL-SP-WD LEN-RADL-FL-WD LEN-RADL-WF-WD	STB16-BK STB16-WH (WHITE SHELL)		L016-H	LF-RADL-SF (SOFT FOCUS), MF (MEDIUM FOCUS), WF (WIDE FOCUS)	LF-RADL-LS
LENS SIZE	2" (50mm) Diameter						
BEAM SPREADS	NS (10°), SP (20°), NF (35°), FL (45°), WF (60°)	NS (15°), SP (25°), FL (45°), WF (60°)	Conical snoot creates a 7° Beam spread and is designed to reduce spill and control glare. Spun aluminum.		Hexcell louver eliminates glare. 0.125" Thickness.	Soft focus lens is included with every track head. Diffuses the beam, providing uniform illumination.	Linear spread film: directs the light into an elongated beam. Typical applications using 10°, 15°, 25° include illuminating landscape oriented art. 35°, 40°, 60° create an elongated oval typically used for wall washing.

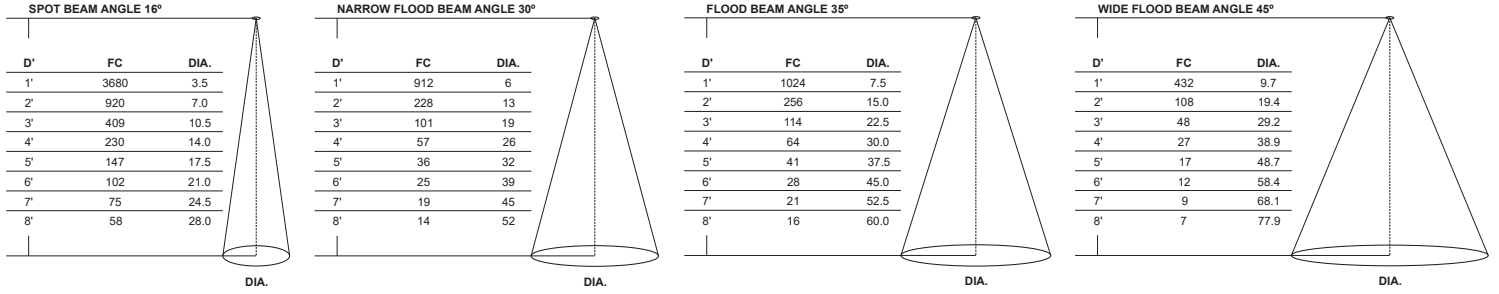
RADIANT MEDIUM LENS		LOUVER	FOCUS LENS	LINEAR SPREAD FILM	
					
ORDERING CODE	STATIC WHITE LEN-RADM-SP-SW LEN-RADM-NF-SW LEN-RADM-FL-SW LEN-RADM-WF-SW	WARM DIM LEN-RADM-SP-WD LEN-RADM-NF-WD LEN-RADM-FL-WD LEN-RADM-WF-WD	L011-H	LF-RADM-SF (SOFT FOCUS) MF (MEDIUM FOCUS), WF (WIDE FOCUS)	LF-RADM-LS
LENS SIZE	1.37" (35mm) Diameter				
BEAM SPREADS	SP (20°), NF (35°), FL (45°), WF (60°)		Hexcell louver eliminates glare. 0.125" Thickness.	Soft focus lens is included with every track head. Diffuses the beam, providing uniform illumination.	Linear spread film: directs the light into an elongated beam. Typical applications using 10°, 15°, 25° include illuminating landscape oriented art. 35°, 40°, 60° create an elongated oval typically used for wall washing.

PROJECT		FIXTURE TYPE		DATE	
---------	--	--------------	--	------	--

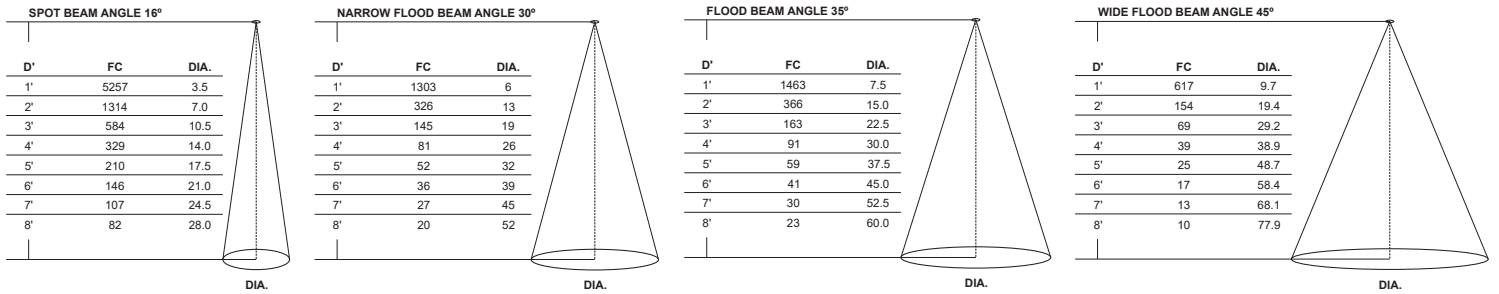
TUBO LARGE RGBTW SMART TRACKHEAD Photometric Data at 3000K

D - Distance from TUBO LARGE fixture
 FC - Initial foot candles at the center of beam
 DIA - Diameter

12 Watt

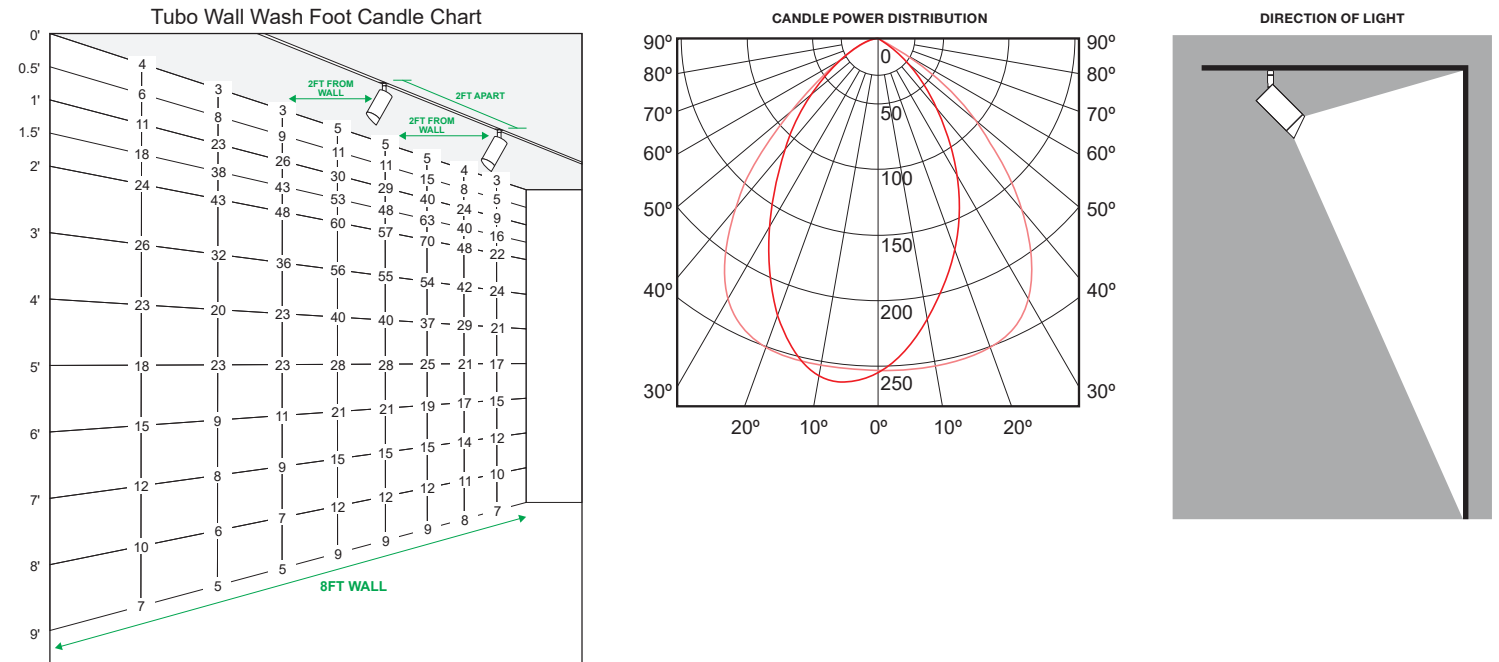


17 Watt



TUBO WALL WASH RGBTW SMART TRACKHEAD Photometric Data at 3000K

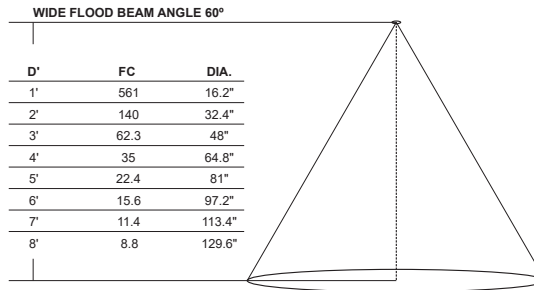
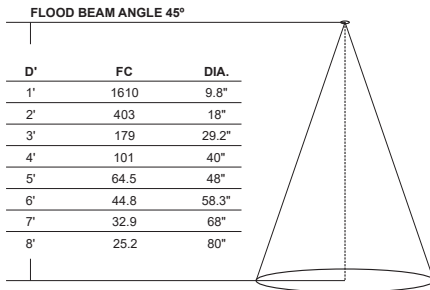
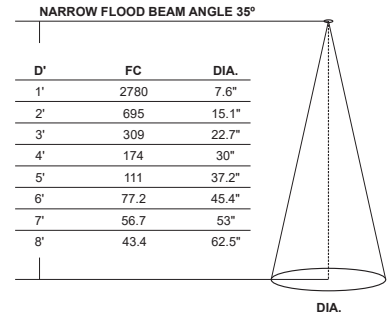
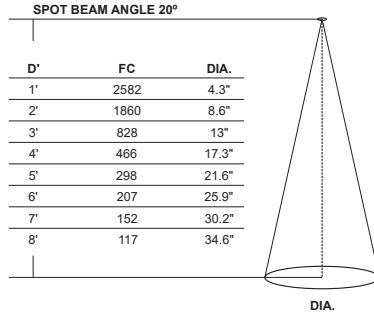
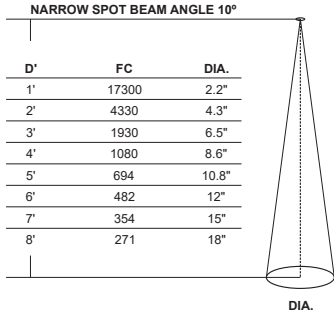
D - Distance from fixture
 FC - Initial foot candles at the center of beam
 DIA - Diameter



PROJECT	FIXTURE TYPE	DATE
---------	--------------	------

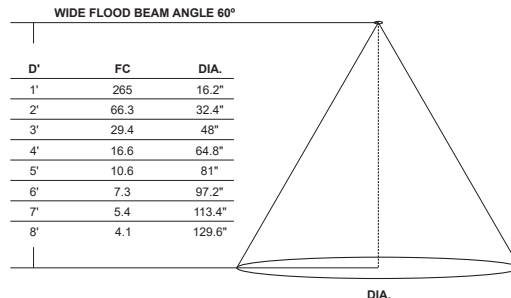
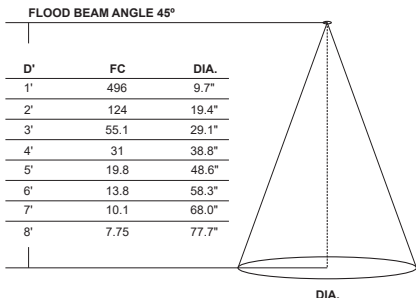
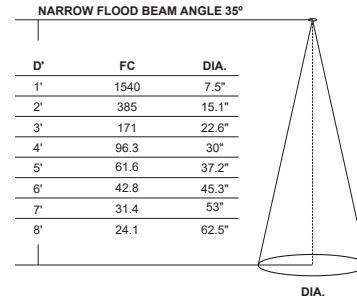
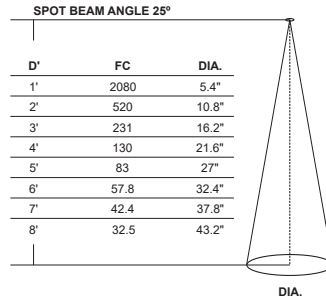
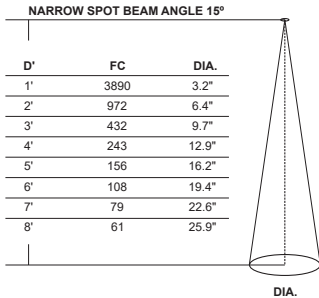
TUBO LARGE Photometric Data at 3000K

D - Distance from fixture
FC - Initial foot candles at the center of beam
DIA - Diameter



TUBO SMALL Photometric Data at 3000K

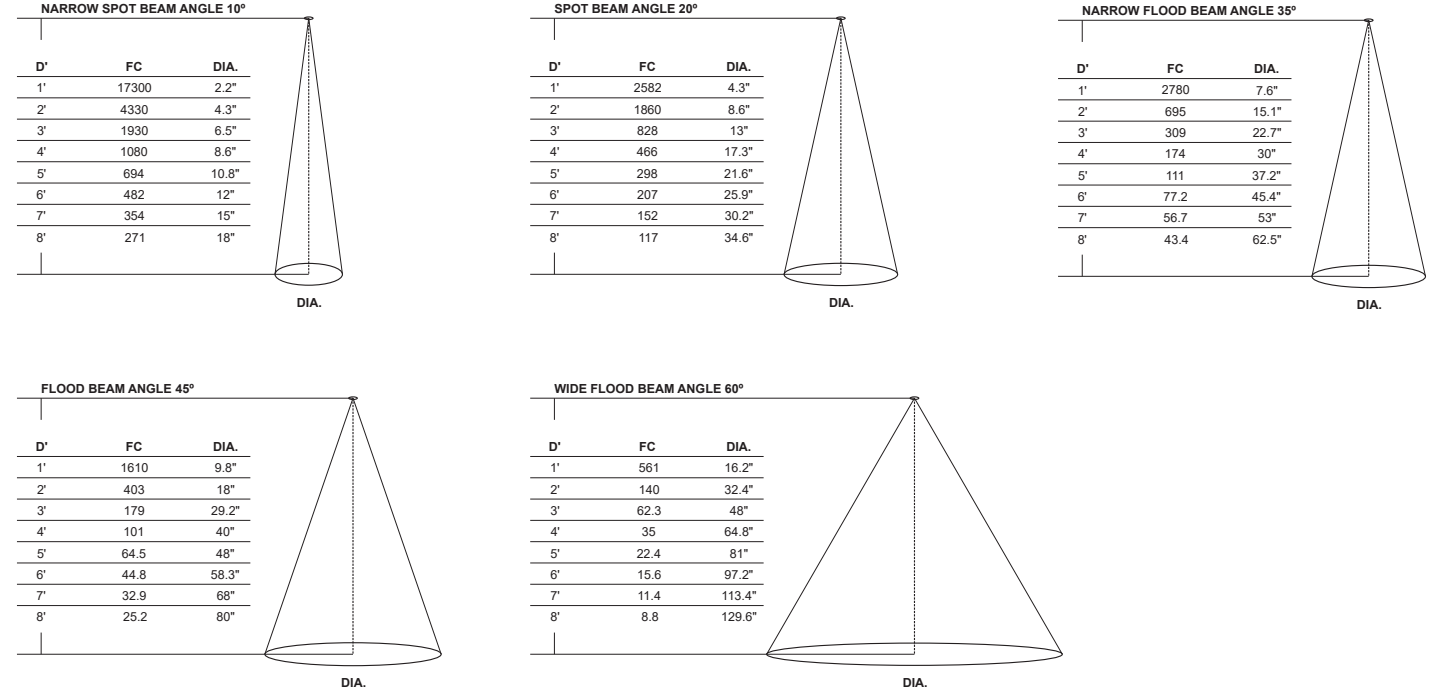
D - Distance from fixture
FC - Initial foot candles at the center of beam
DIA - Diameter



PROJECT	FIXTURE TYPE	DATE
---------	--------------	------

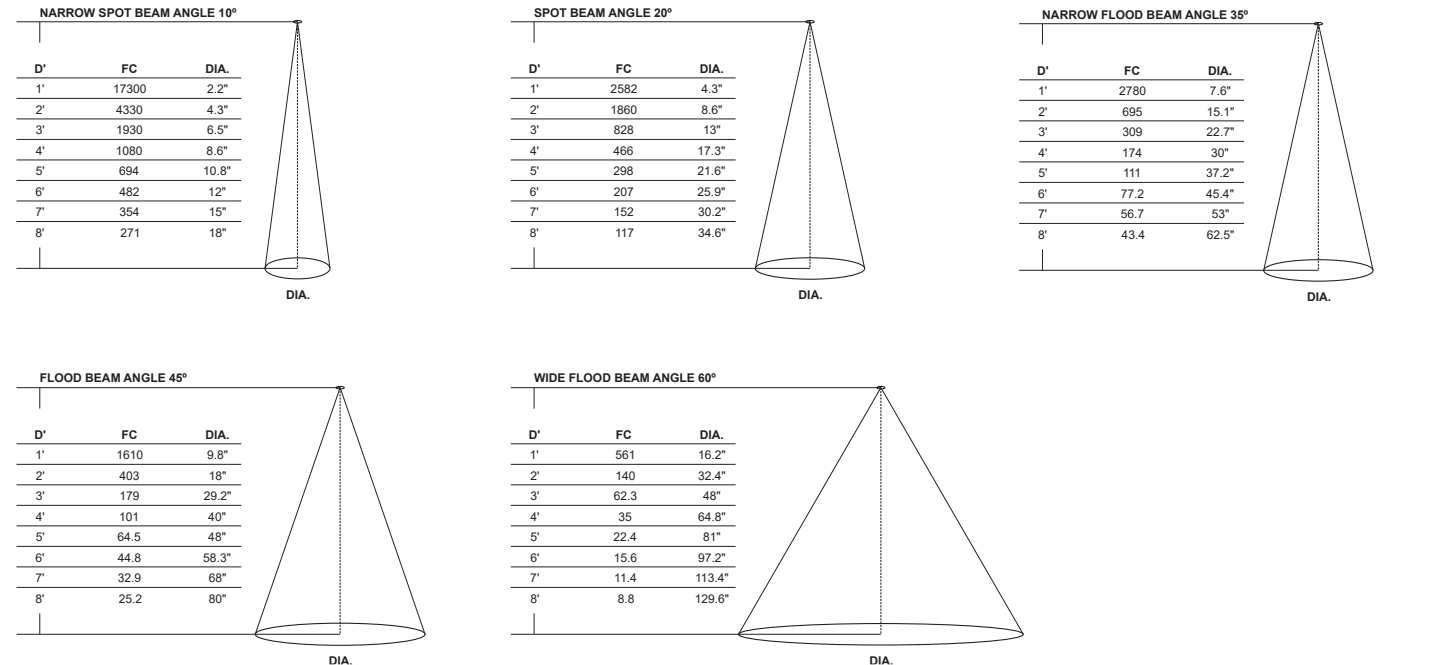
TUBO LARGE DOWNLIGHT Photometric Data at 3000K

D - Distance from fixture
FC - Initial foot candles at the center of beam
DIA - Diameter



TUBO SMALL DOWNLIGHT Photometric Data at 3000K

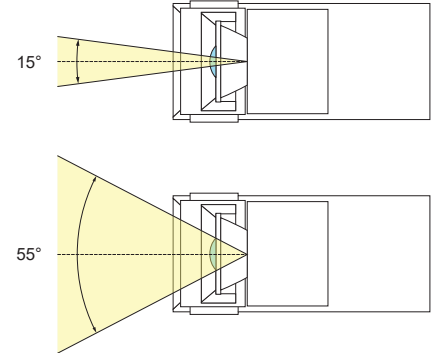
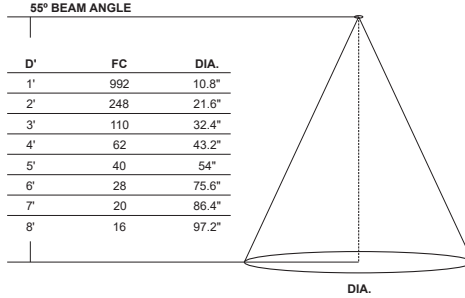
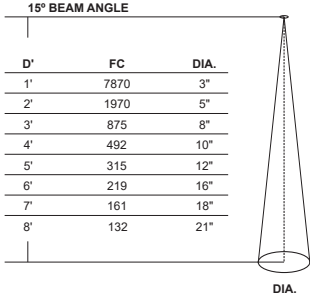
D - Distance from fixture
FC - Initial foot candles at the center of beam
DIA - Diameter



PROJECT	FIXTURE TYPE	DATE
---------	--------------	------

ZOOM Z1 Photometric Data at 3000K

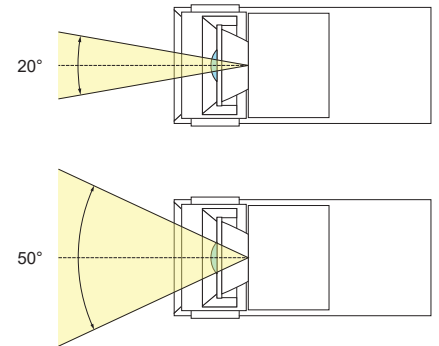
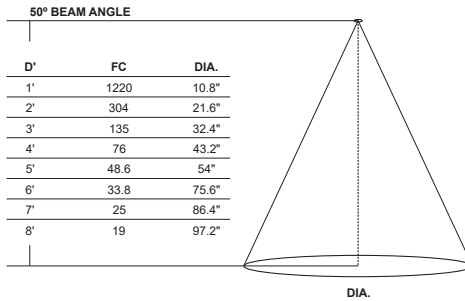
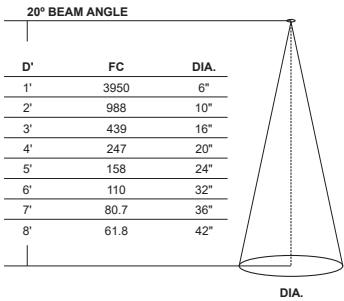
D - Distance from fixture
FC - Initial foot candles at the center of beam
DIA - Diameter



Z1: Adjustable between 15° and 55°

ZOOM Z2 Photometric Data at 3000K

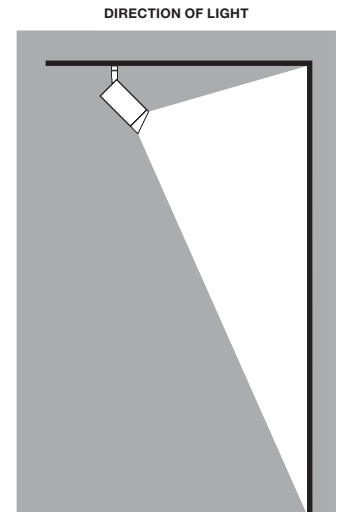
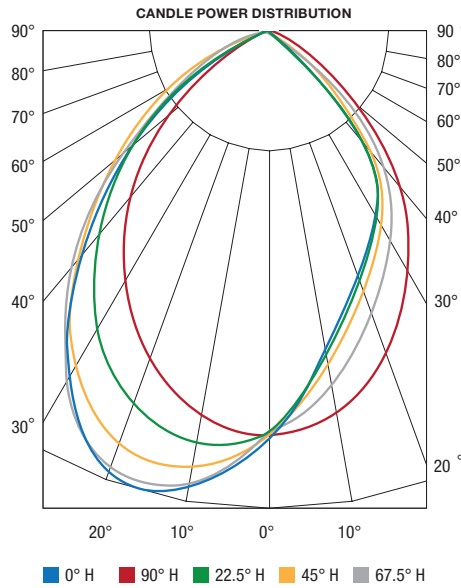
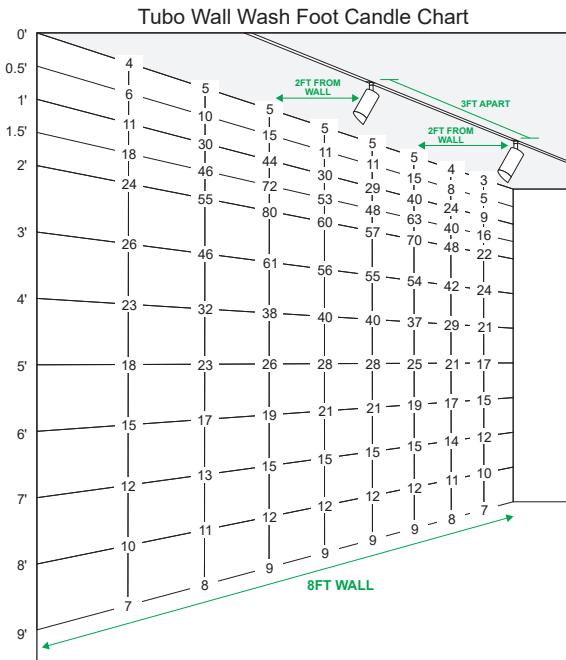
D - Distance from fixture
FC - Initial foot candles at the center of beam
DIA - Diameter



Z2: Adjustable between 20° and 50°

TUBO WALL WASH Photometric Data at 3000K

D - Distance from fixture
FC - Initial foot candles at the center of beam
DIA - Diameter

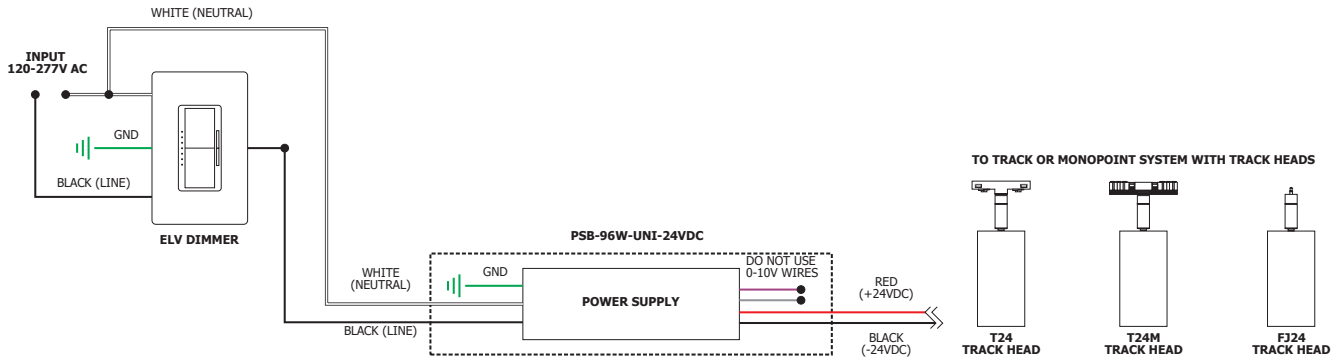


PROJECT	FIXTURE TYPE	DATE
---------	--------------	------

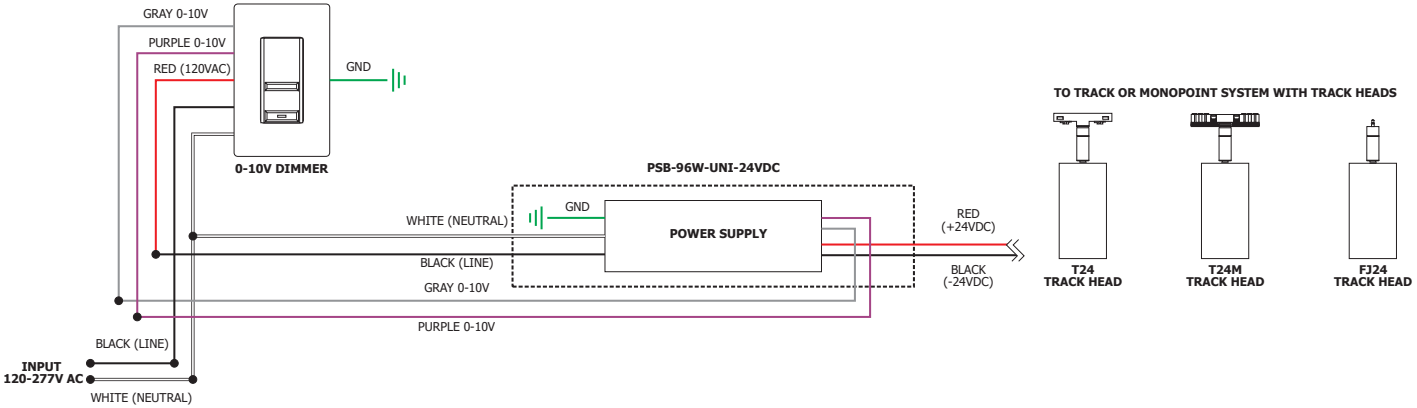
UNIVERSAL POWER SUPPLIES WITH TRIM

24VDC, UNIVERSAL DIMMING (ELV, TRIAC, 0-10V) STATIC WHITE & WARM DIM FOR TRACK HEADS

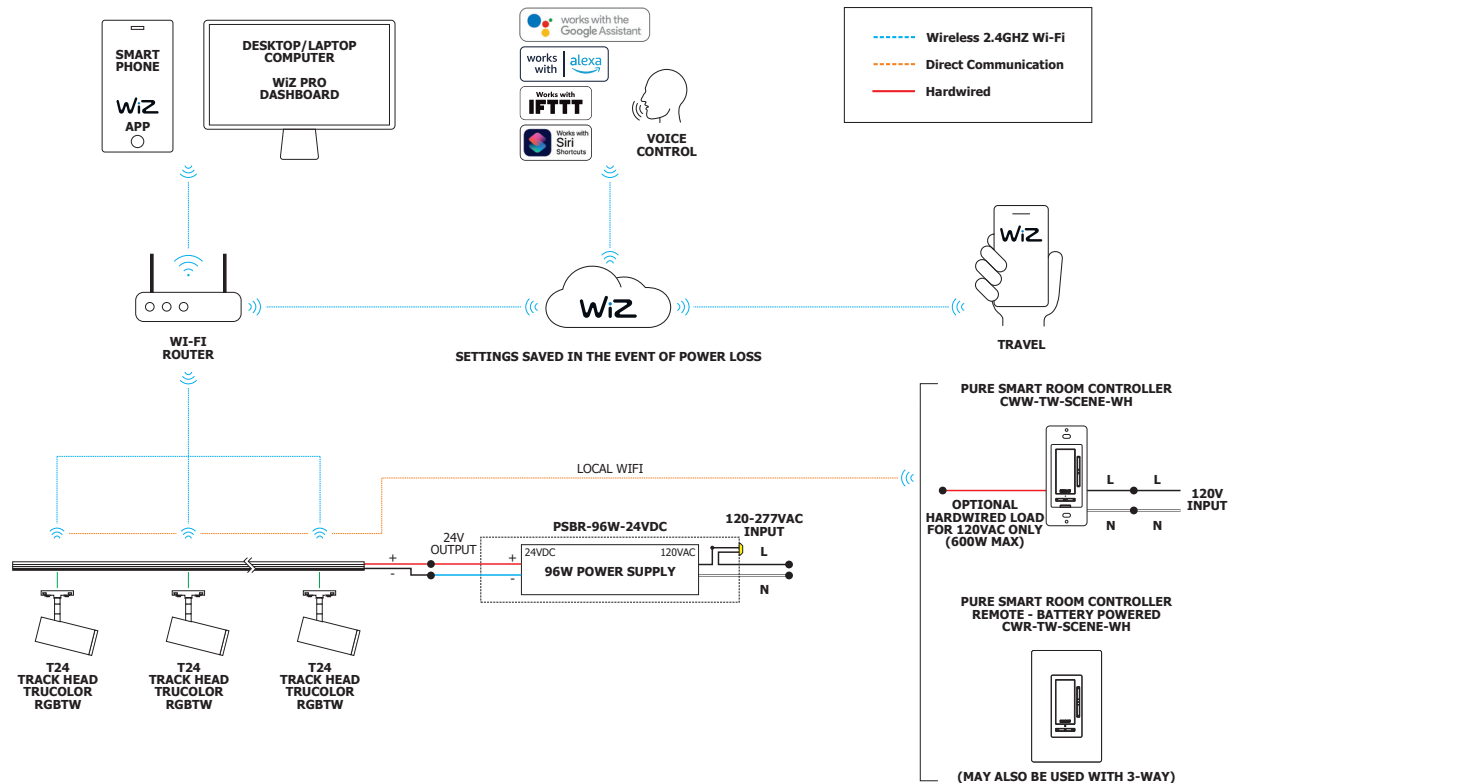
ELV WIRING DIAGRAM



0-10V WIRING DIAGRAM



SMART WIRING DIAGRAM & NETWORK TOPOGRAPHY



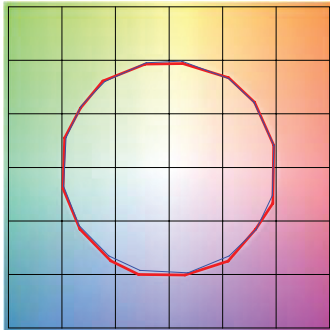
PROJECT	FIXTURE TYPE	DATE
---------	--------------	------

TM30-15 DATA

T24 TRACK HEADS

RADIANT LARGE FLOOD 3000K | Rf: 95 | Rg: 101.6

Color Vector Graphic

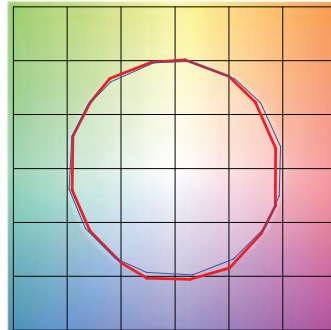


■ Test ■ Reference

		GRAPHIC SHIFTS %	
HUE BIN	Rf	CHROMA	HUE
1	96.8	-0.3%	0.3%
2	97.8	0.3%	-0.3%
3	96.5	0.4%	0.3%
4	95.3	-2.1%	-1.4%
5	95.9	-1.1%	1.1%
6	96.4	1.4%	1.3%
7	93.9	-0.5%	1.9%
8	97.3	1.3%	0.3%
9	95.9	1%	2.1%
10	94.0	1.3%	3.3%
11	92.7	2.9%	4.1%
12	92.4	3.8%	-0.4%
13	94.6	1.5%	-3.2%
14	93.0	3.3%	-3.6%
15	94.6	-0.6%	-0.1%
16	90.1	1.9%	-6.9%

RADIANT MEDIUM FLOOD 3000K | Rf: 89.5 | Rg: 100.8

Color Vector Graphic

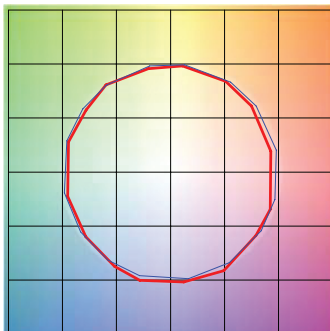


■ Test ■ Reference

		GRAPHIC SHIFTS %	
HUE BIN	Rf	CHROMA	HUE
1	90.0	-4.9%	-0.7%
2	90.7	-3.6%	3.1%
3	87.2	-1.1%	5.9%
4	92.7	1.0%	3.8%
5	93.8	0.9%	2.7%
6	94.2	3.0%	-0.7%
7	92.7	-0.5%	-3.6%
8	96.6	-0.8%	-1.5%
9	94.4	-2.5%	1.4%
10	89.7	-2.3%	4.6%
11	87.3	0.5%	7.6%
12	89.9	5.2%	1.5%
13	92.0	3.6%	-3.4%
14	87.6	4.7%	-7.7%
15	88.2	-0.0%	-6.9%
16	85.8	-1.8%	-10.0%

TUBO LARGE FLOOD 3000K | Rf: 91.0 | Rg: 98.0

Color Vector Graphic

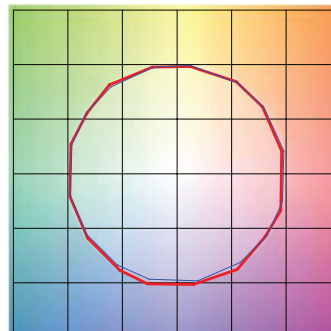


■ Test ■ Reference

		GRAPHIC SHIFTS %	
HUE BIN	Rf	CHROMA	HUE
1	89.2	-5.2%	0.1%
2	91.3	-3.6%	2.4%
3	90.2	-1.8%	4.1%
4	94.7	-1.3%	1.8%
5	93.8	-2.3%	1.8%
6	96.8	0.4%	0.0%
7	93.1	-3.2%	-1.0%
8	96.6	-1.5%	0.7%
9	92.7	-2.4%	3.7%
10	87.4	-1.5%	6.3%
11	87.8	1.5%	8.1%
12	89.9	4.4%	1.0%
13	91.7	2.3%	-4.8%
14	87.4	3.3%	-8.5%
15	88.1	-1.5%	-6.3%
16	85.4	-2.6%	-9.8%

TUBO SMALL FLOOD 3000K | Rf: 95.0 | Rg: 102.2

Color Vector Graphic



■ Test ■ Reference

		GRAPHIC SHIFTS %	
HUE BIN	Rf	CHROMA	HUE
1	96.6	-1.1%	-0.7%
2	97.9	-0.6%	0.4%
3	95.3	0.1%	2.0%
4	96.5	0.3%	1.4%
5	94.8	0.0%	2.0%
6	94.6	3.0%	0.9%
7	96.3	1.1%	-0.9%
8	96.6	1.5%	-1.3%
9	97.3	0.1%	0.4%
10	95.8	-0.5%	1.8%
11	92.5	1.0%	4.4%
12	92.5	4.1%	0.5%
13	94.9	2.5%	-2.0%
14	92.5	4.0%	-3.5%
15	94.0	1.2%	-3.0%
16	90.1	1.7%	-7.1%

PROJECT	FIXTURE TYPE	DATE
---------	--------------	------

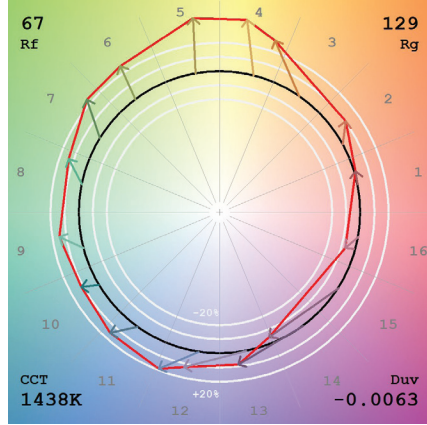
TM30 DATA

24VDC WITH INTEGRATED LED, STATIC WHITE & WARM DIM TECHNOLOGY

TM-30-15 DATA: The data below is for Pure Smart TruColor™ RGBTW Tubo

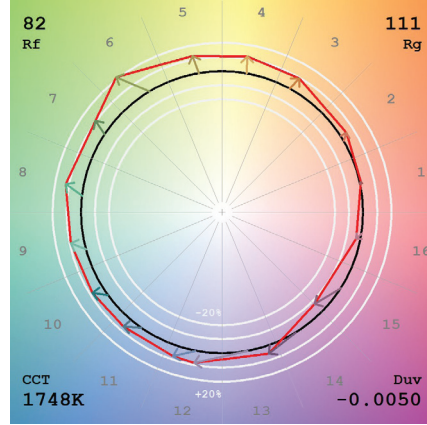
1500K (TruColor™ RGBTW)

View Angle: 2 Deg



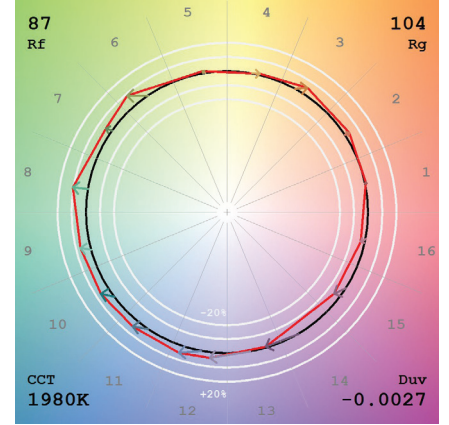
1800K (TruColor™ RGBTW)

View Angle: 2 Deg



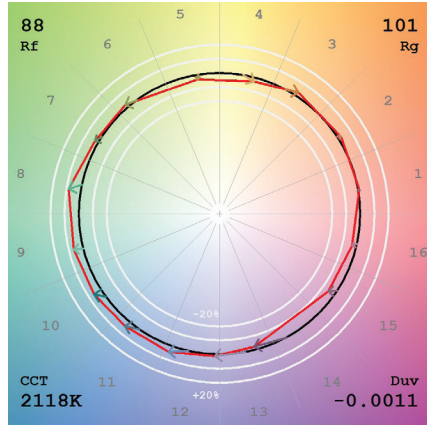
2000K (TruColor™ RGBTW)

View Angle: 2 Deg



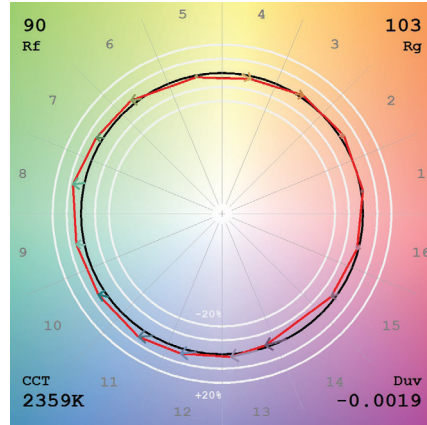
2200K (TruColor™ RGBTW)

View Angle: 2 Deg



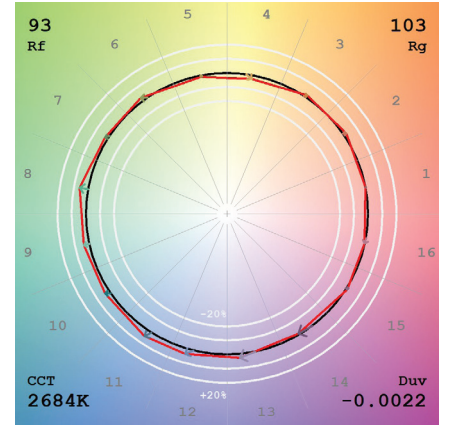
2400K (TruColor™ RGBTW)

View Angle: 2 Deg



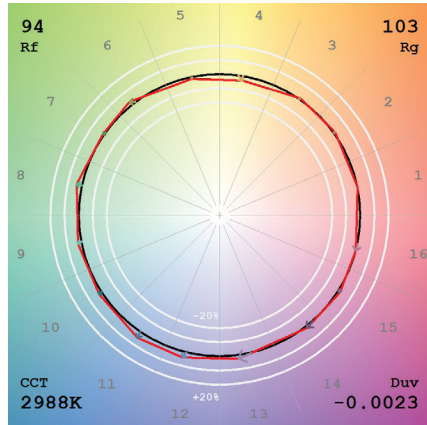
2700K (TruColor™ RGBTW)

View Angle: 2 Deg



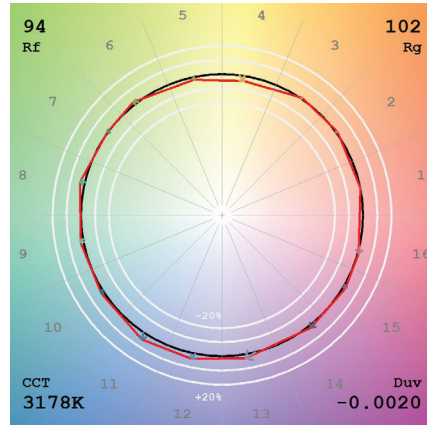
3000K (TruColor™ RGBTW)

View Angle: 2 Deg



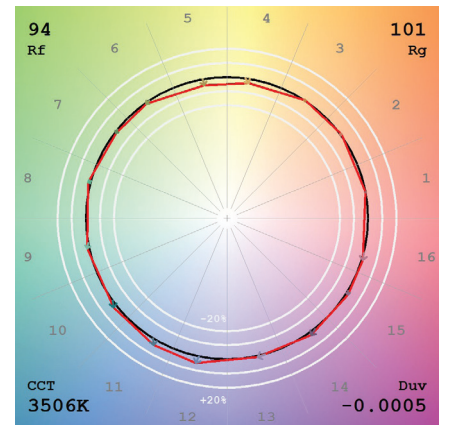
3200K (TruColor™ RGBTW)

View Angle: 2 Deg



3500K (TruColor™ RGBTW)

View Angle: 2 Deg



PROJECT	FIXTURE TYPE	DATE
---------	--------------	------